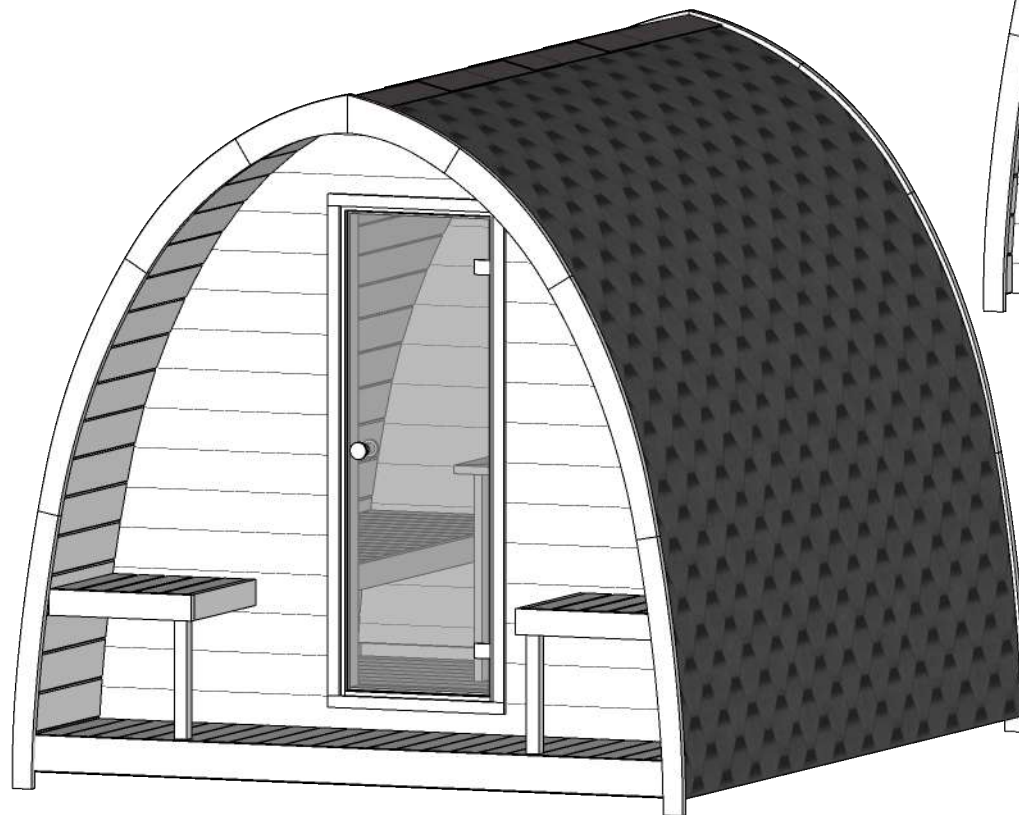


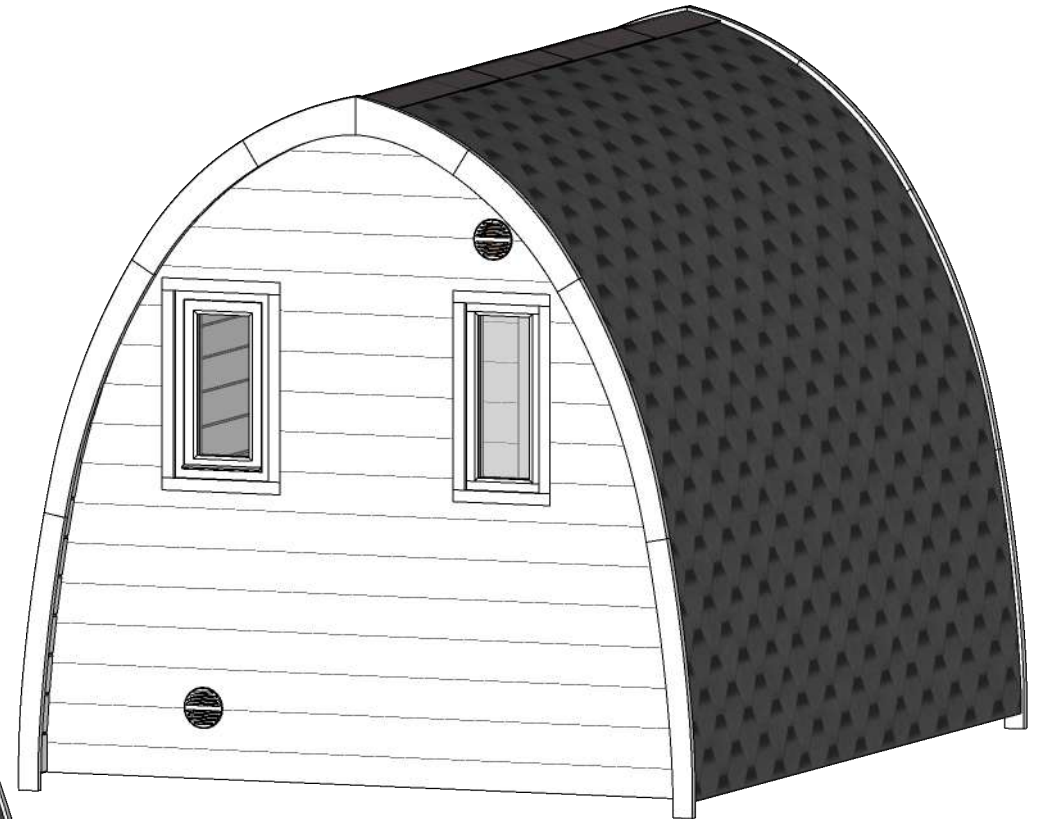
# POD Sauna 300

**NB! Please read whole installation manual before start.**

**All given measurements are in millimeters.**



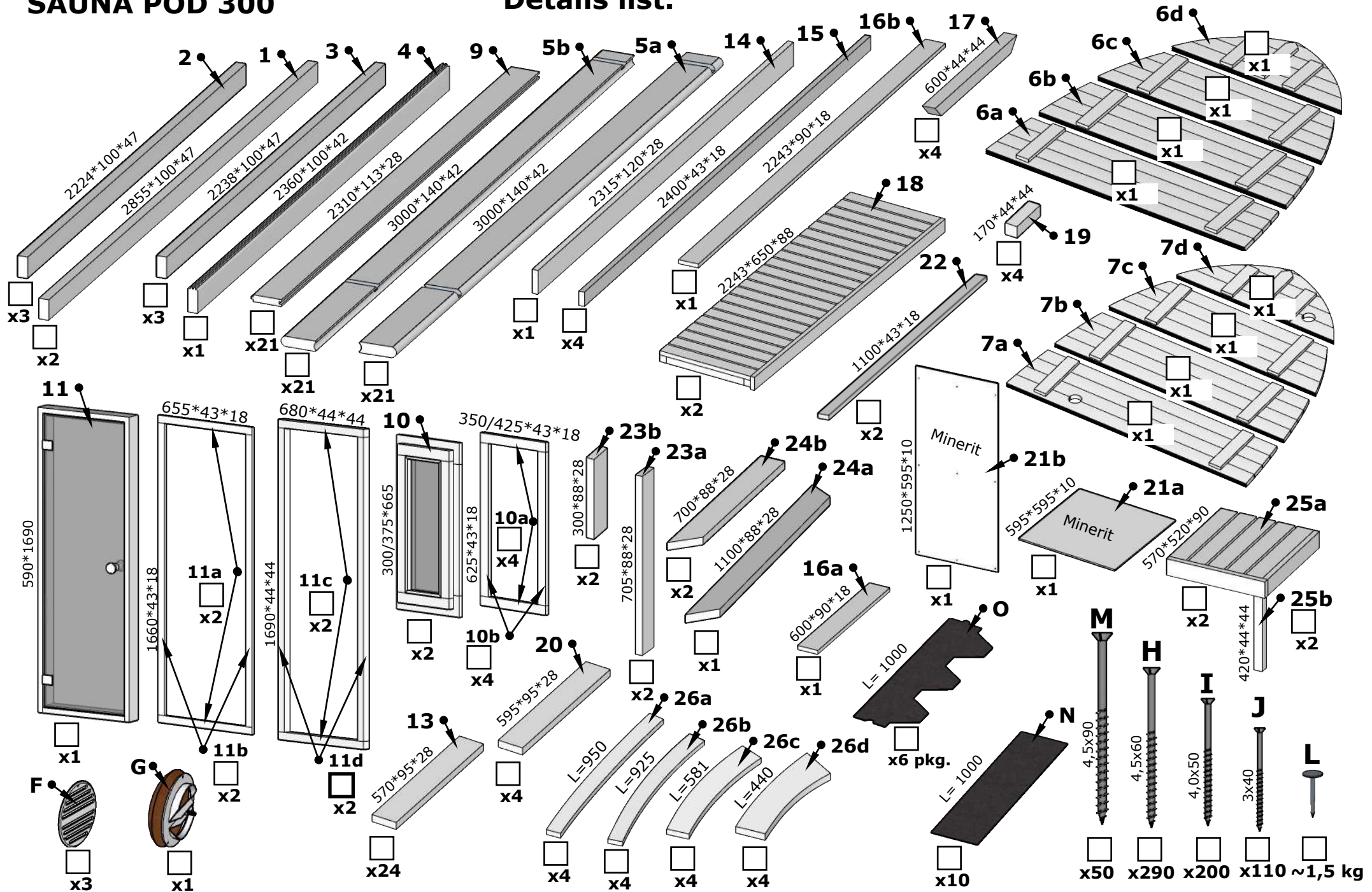
( POD 003 )



( POD 003 )

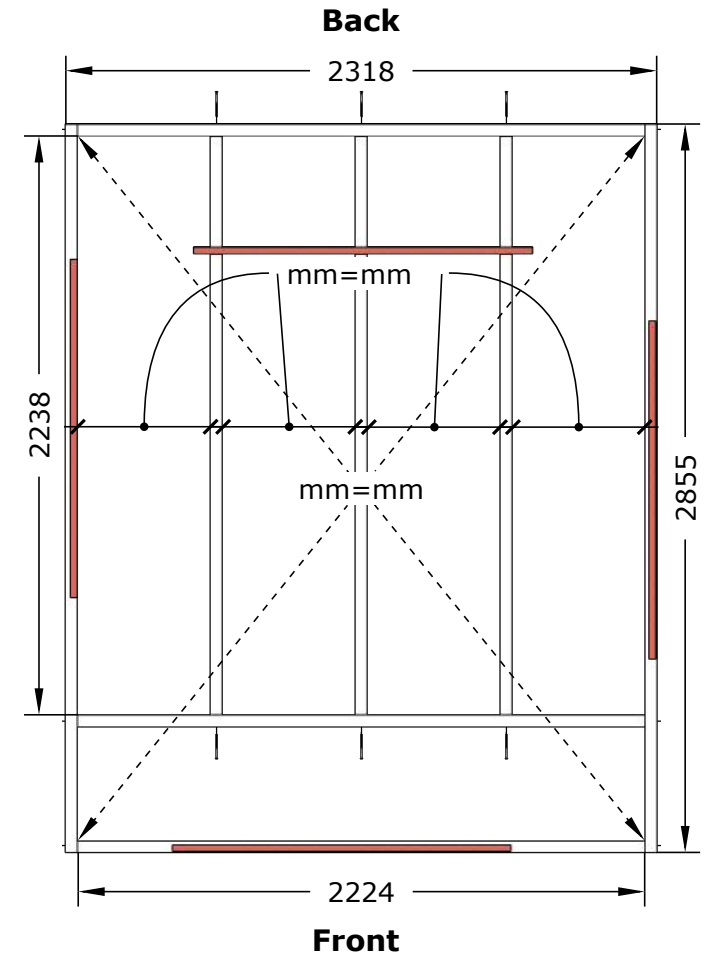
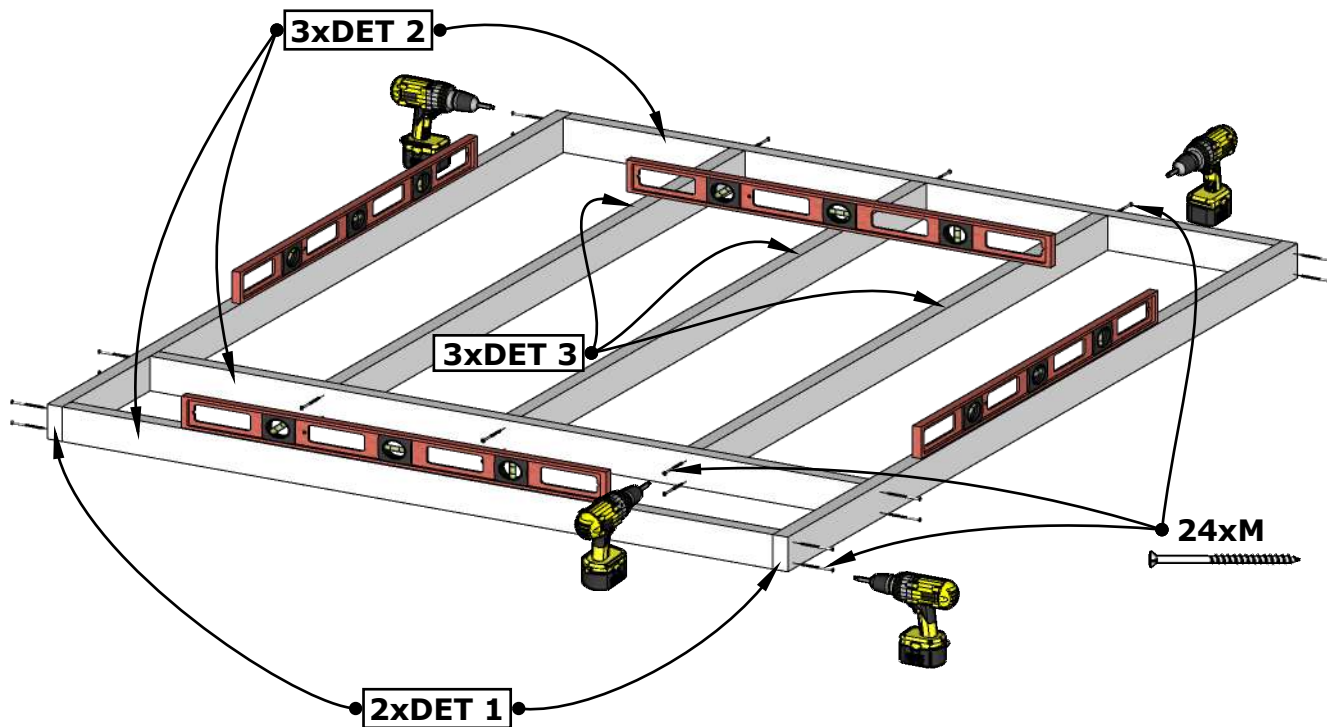
# SAUNA POD 300

## Details list.



( POD 003 )

# POD Sauna 300



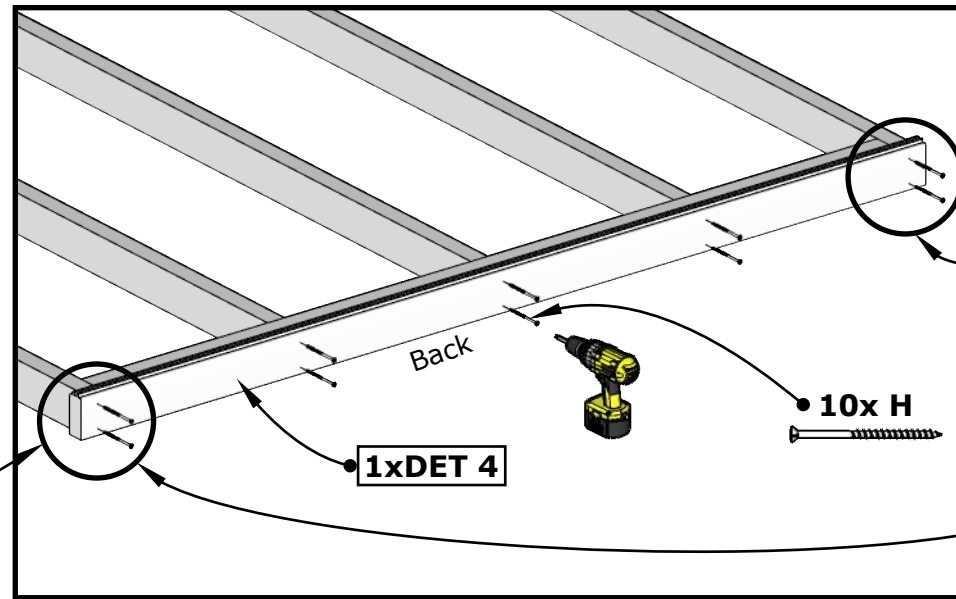
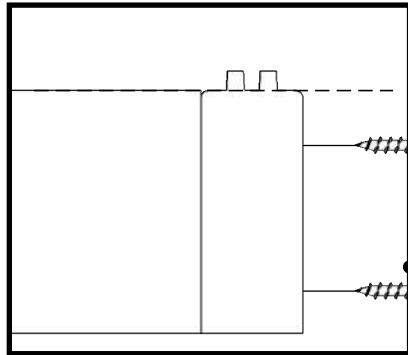
1. I

( POD 003 )

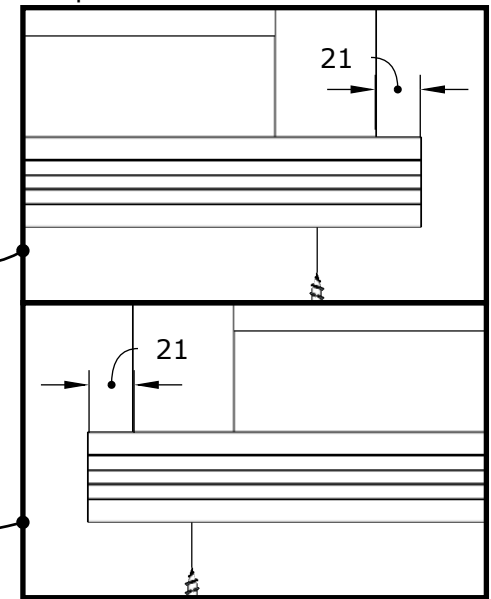
# POD Sauna 300



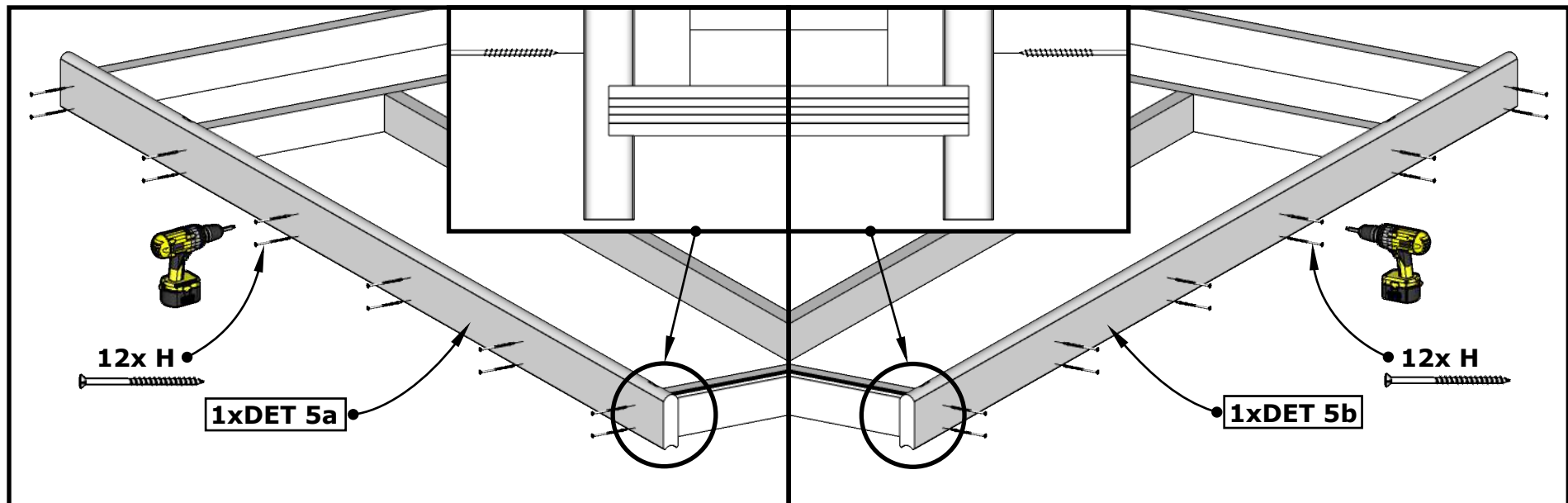
Side view



Top view

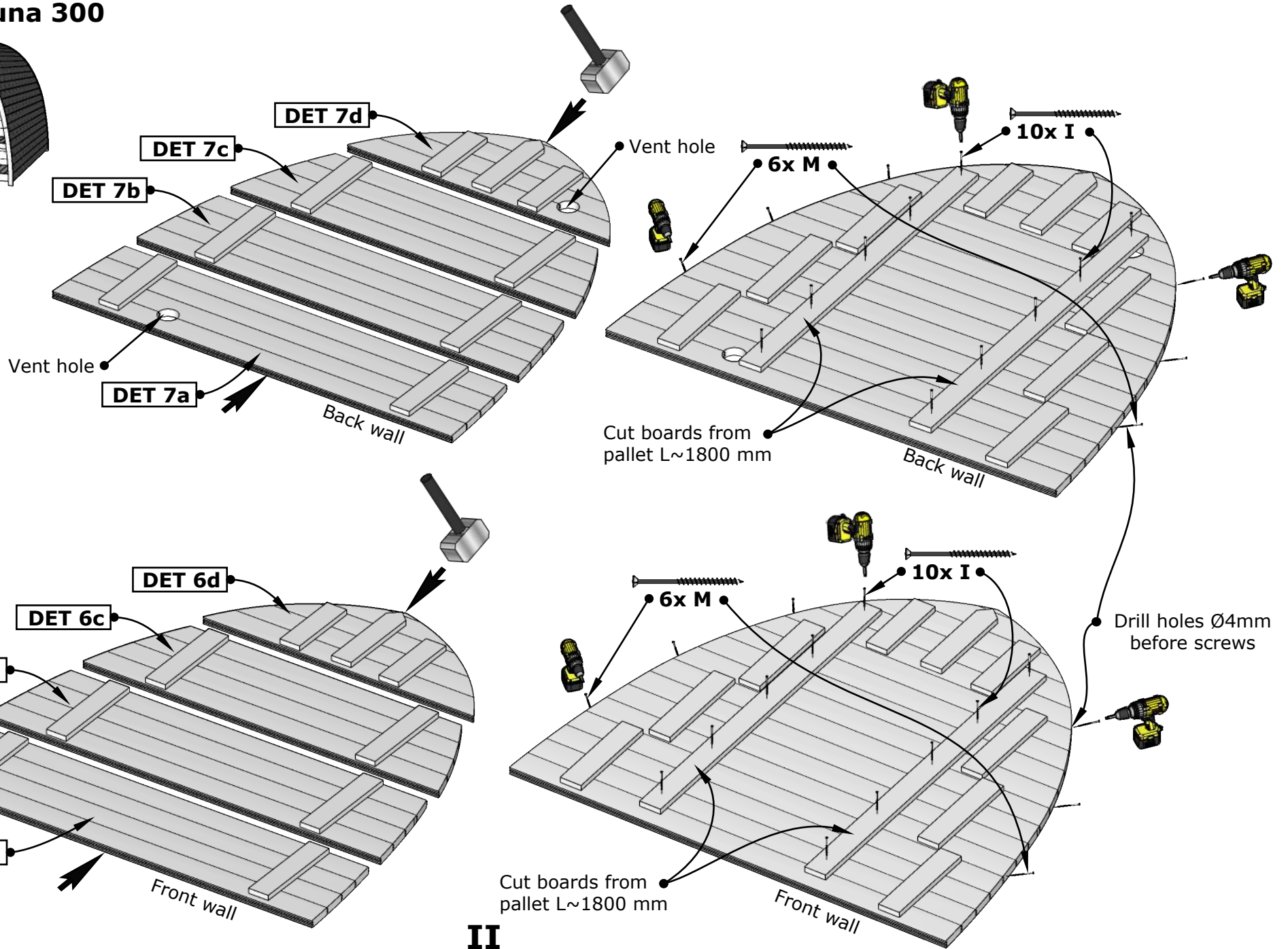


**I**



**2.** **II**

# POD Sauna 300



3.

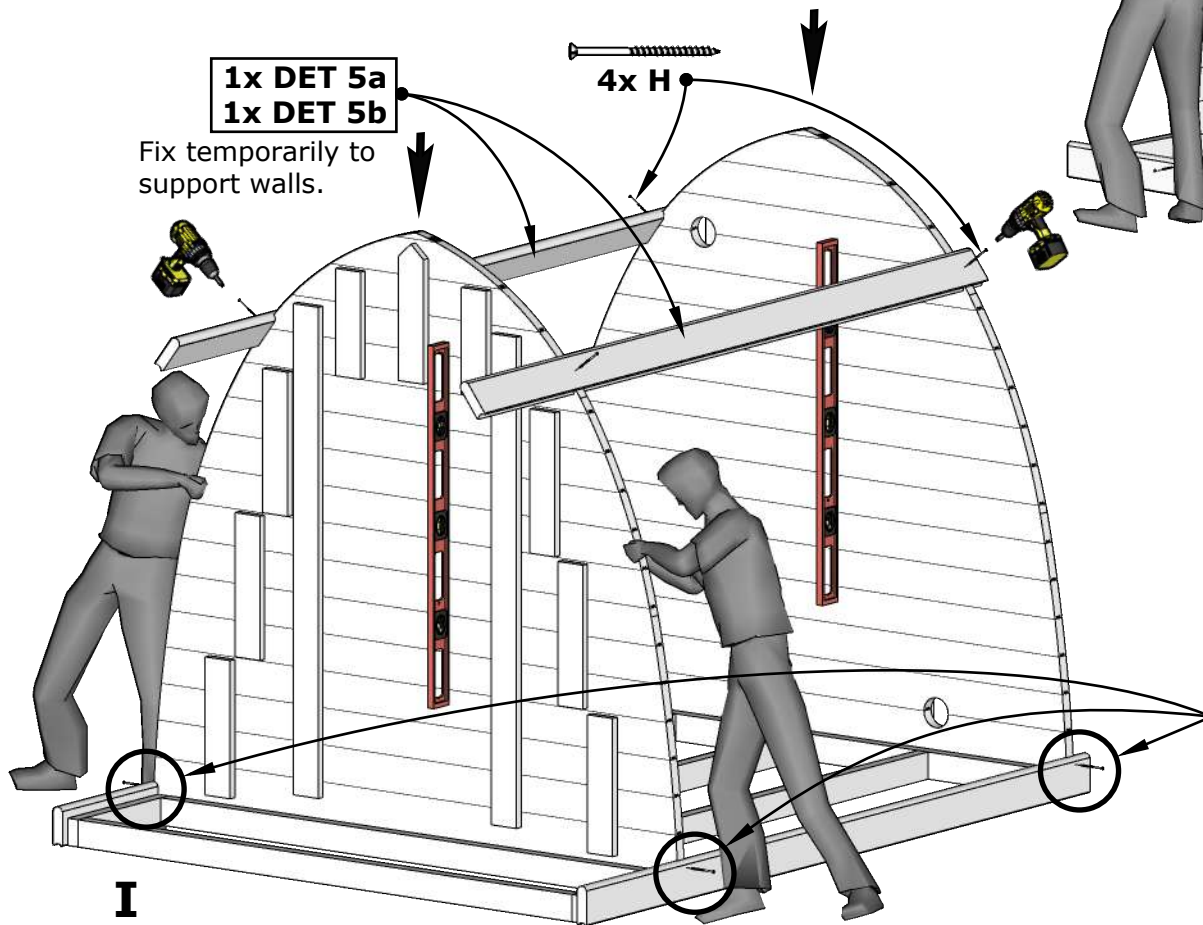
II

( POD 003 )

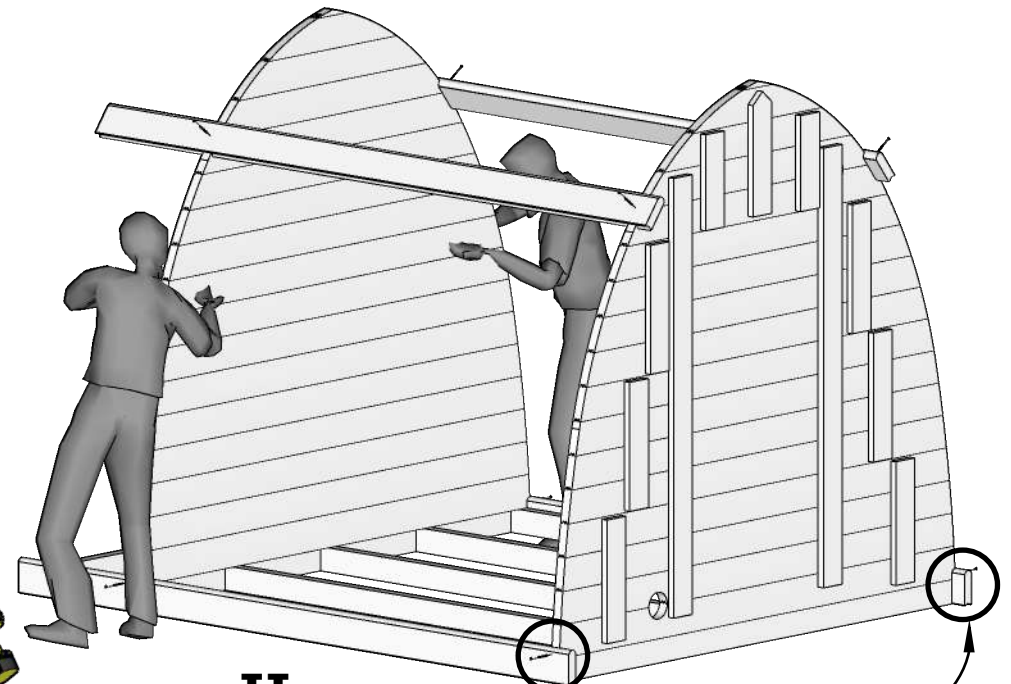
# POD Sauna 300



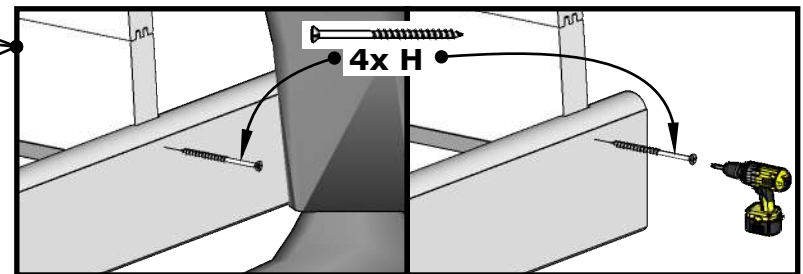
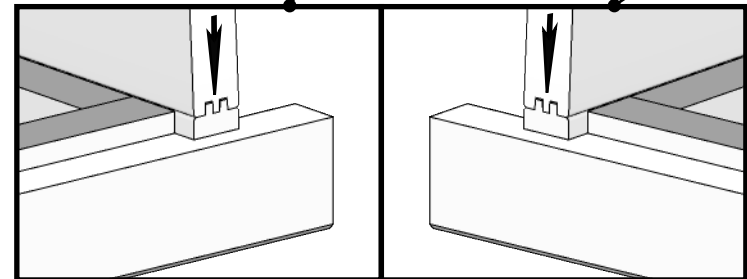
Use waterlevel!



I



II

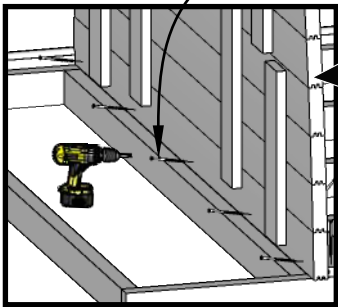


4.

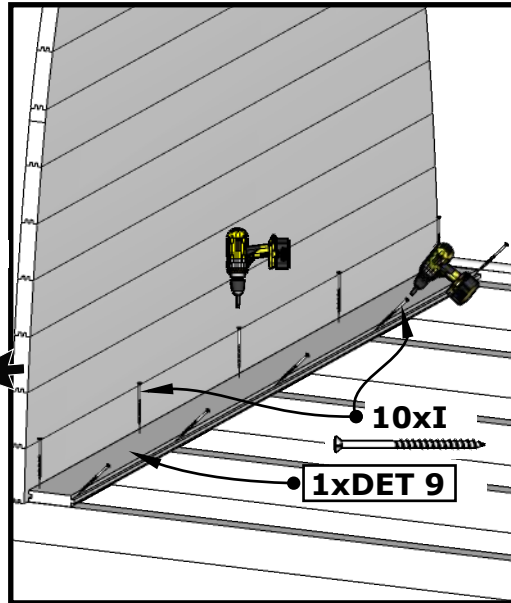
# POD Sauna 300



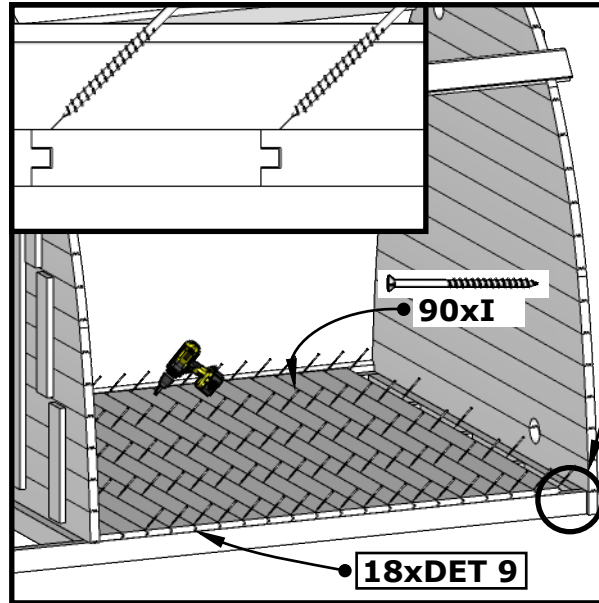
Drill holes Ø4 before screw



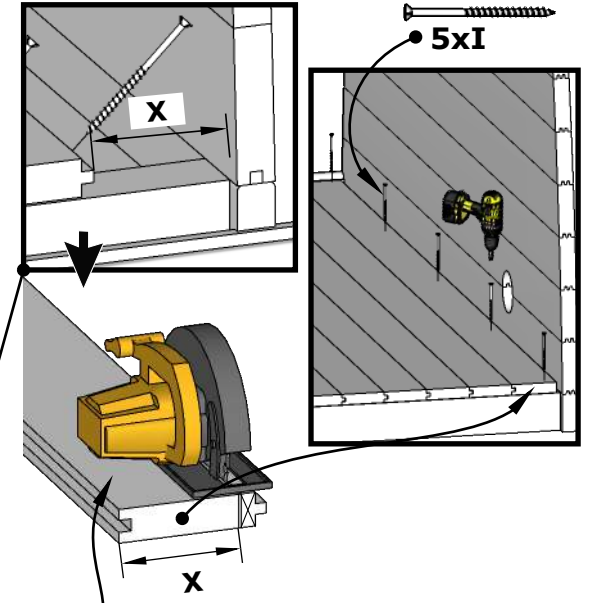
• 5xH



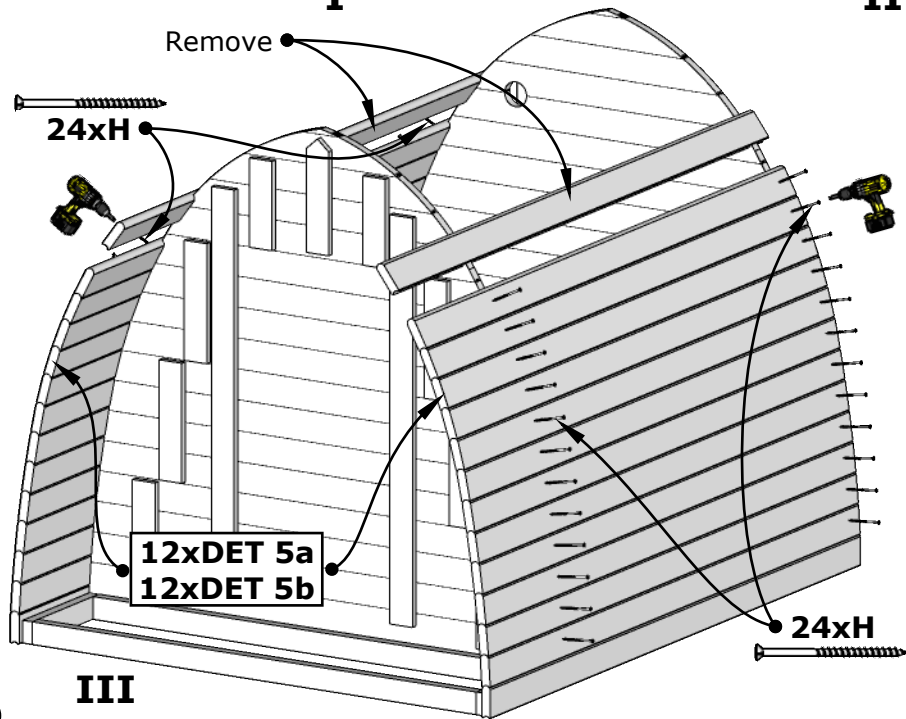
I



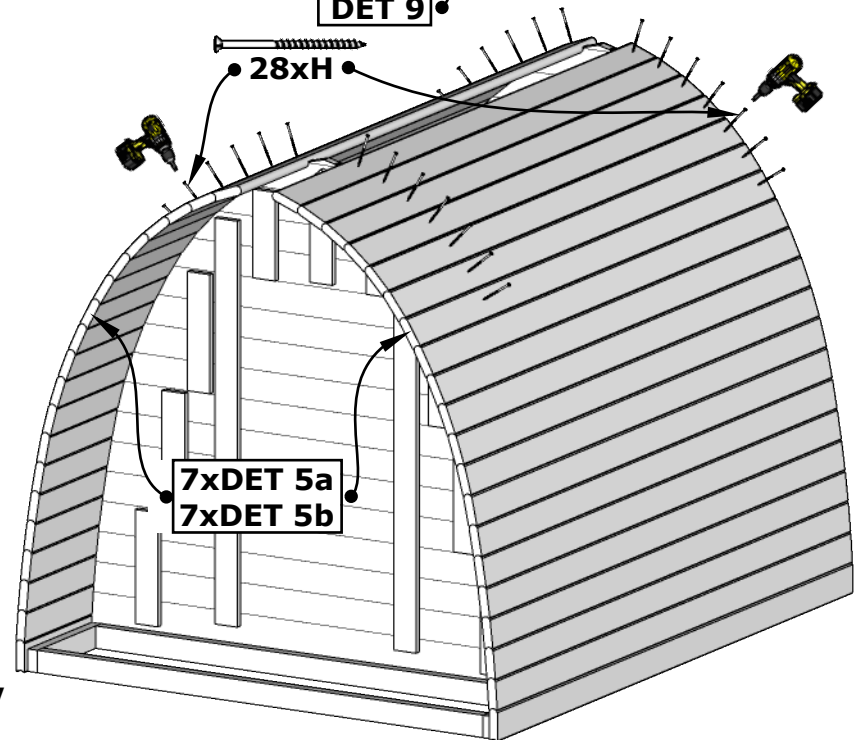
II



DET 9

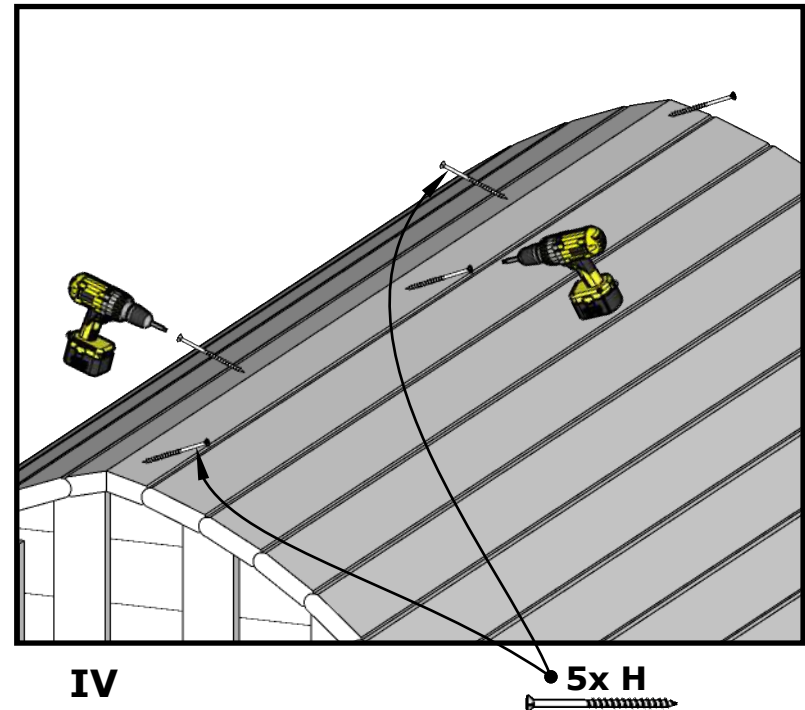
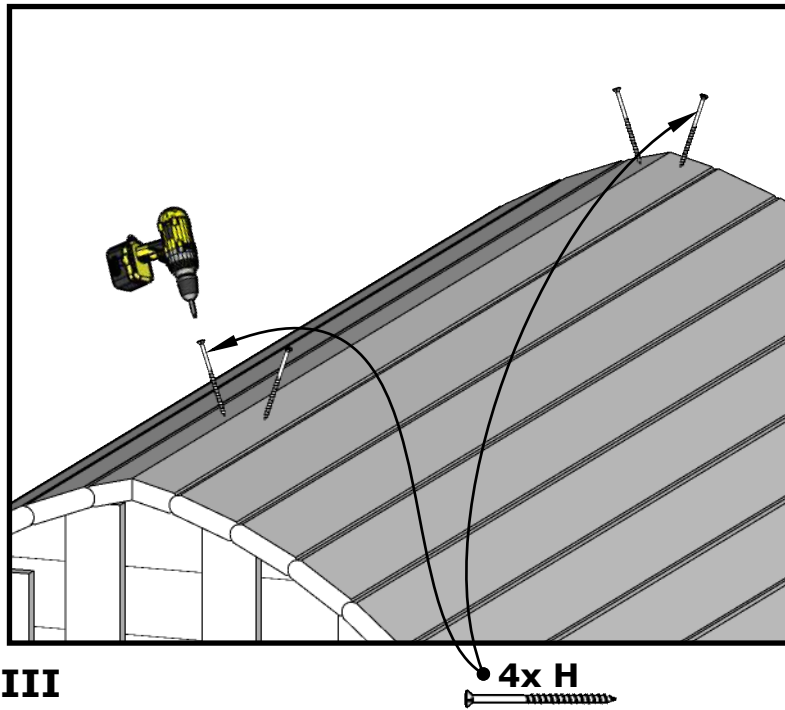
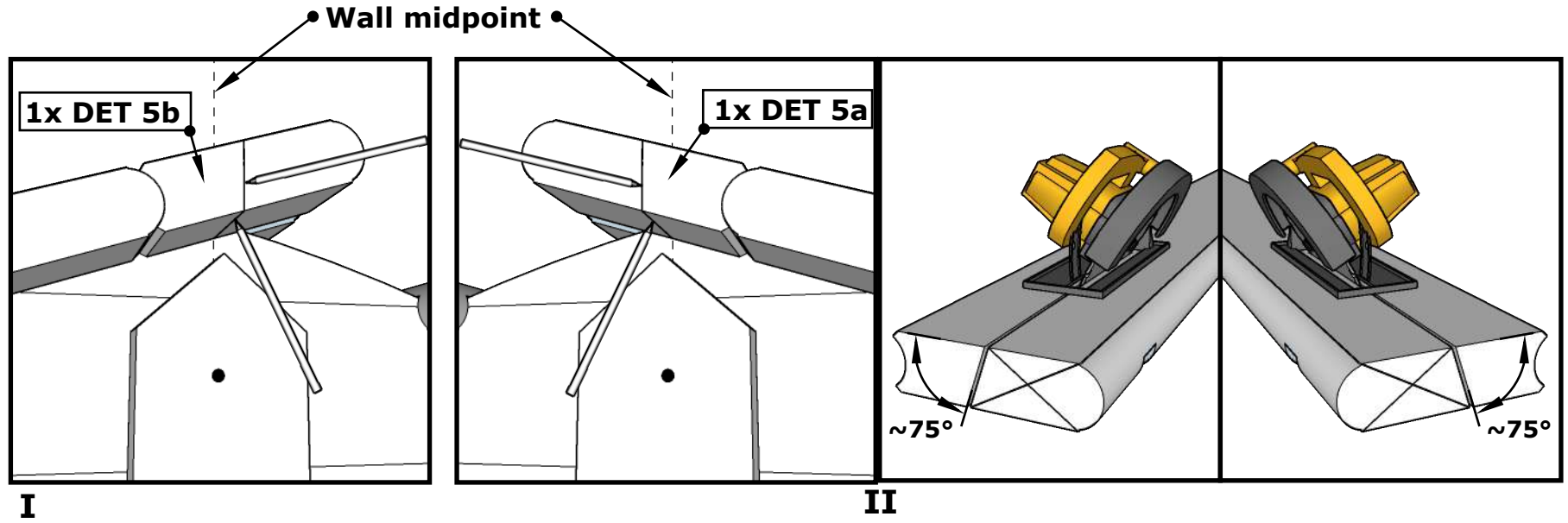


5. III



IV

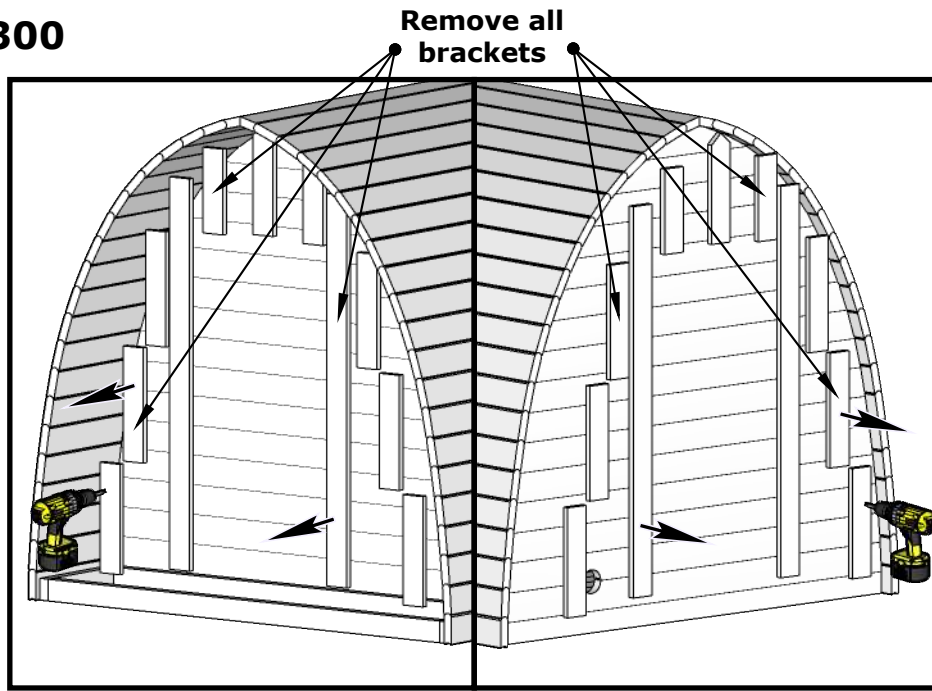
# POD Sauna 300



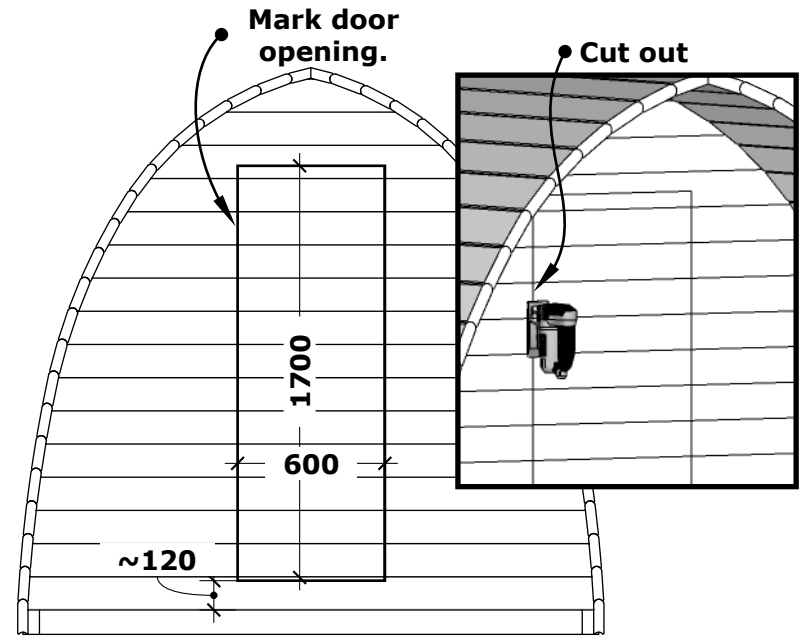
**6.**



# POD Sauna 300



**I**

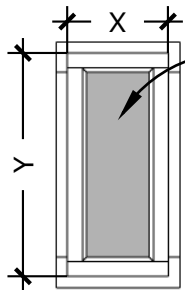


**II**

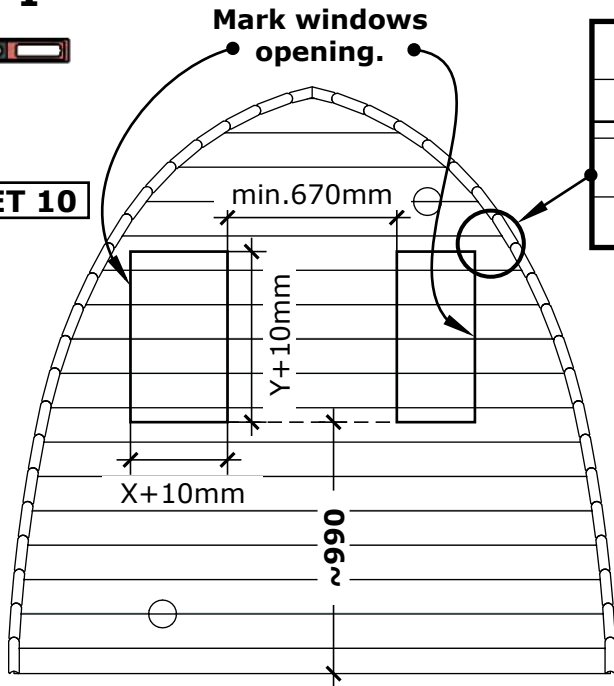
If Your sauna equipped with wooden door, please check wooden door installation manual on extra pages!



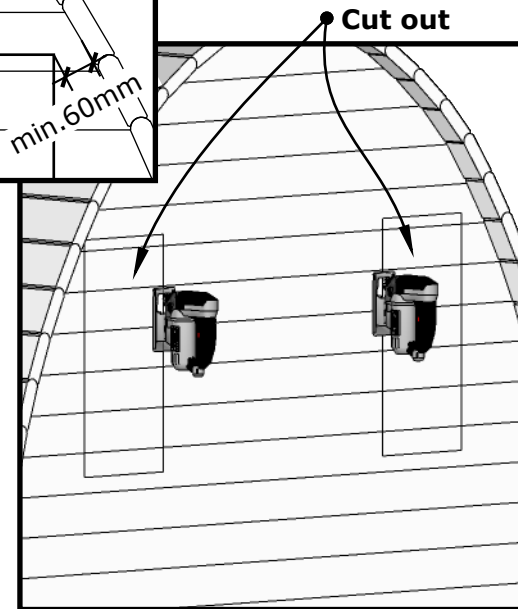
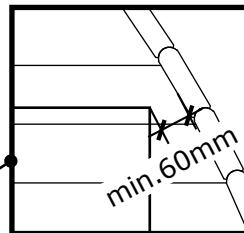
**Use waterlevel!**



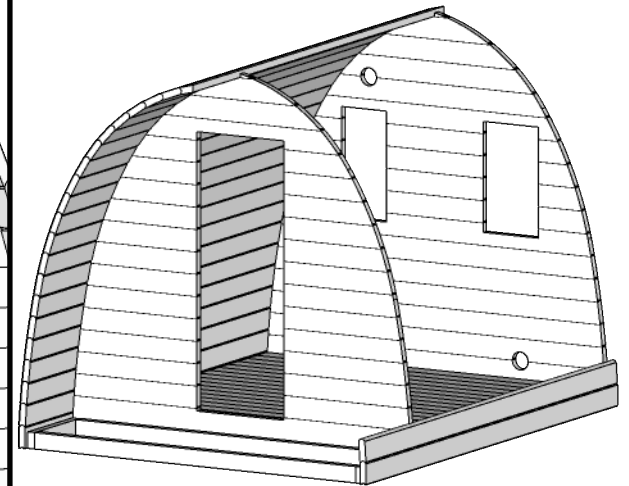
**DET 10**



**III**



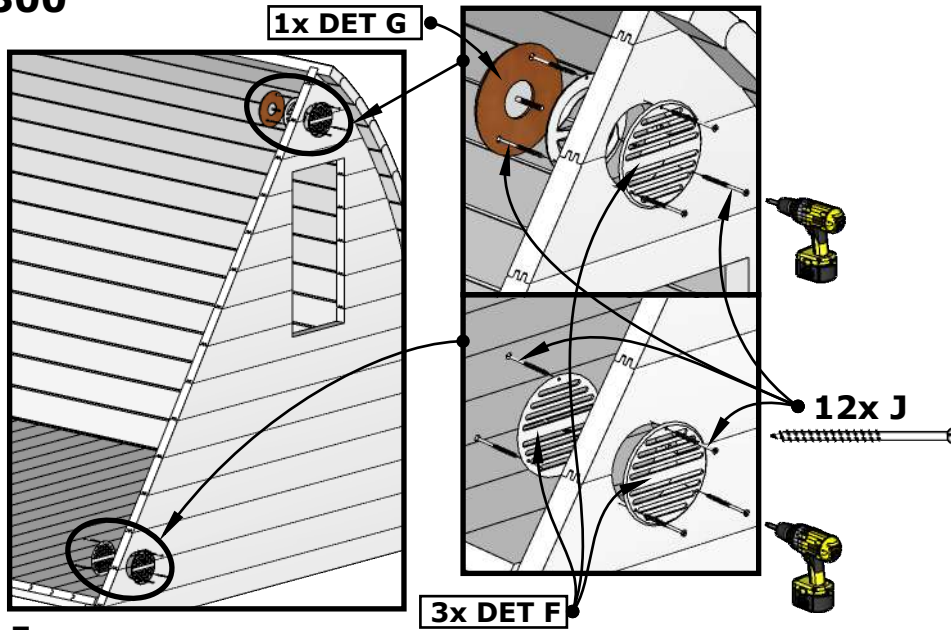
**IV**



**7.**

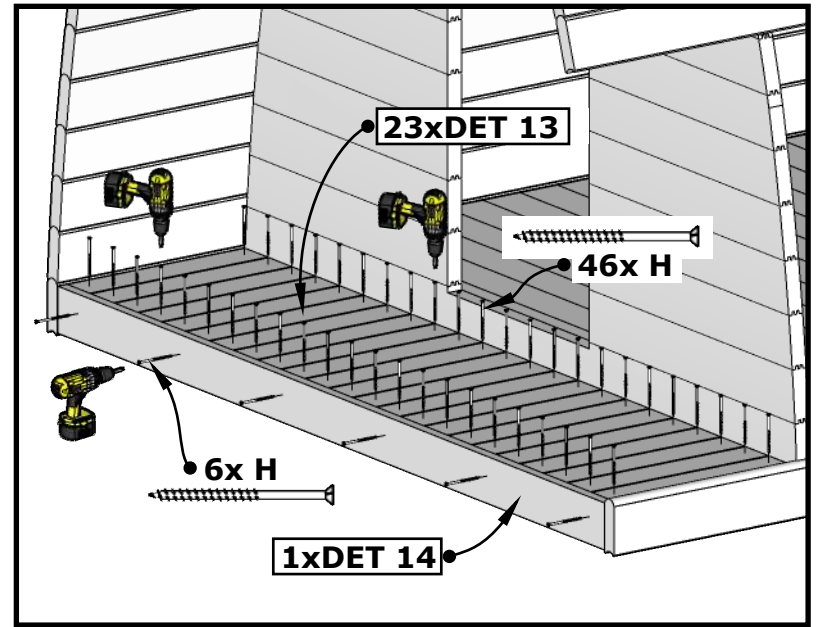
( POD 003 )

# POD Sauna 300

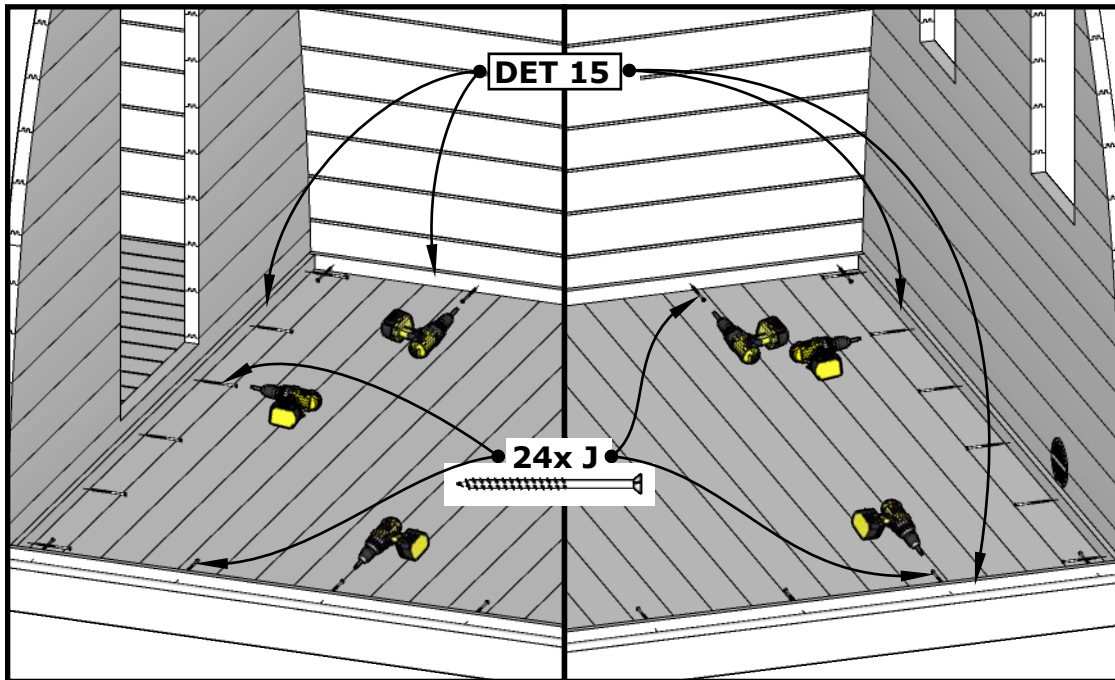


I

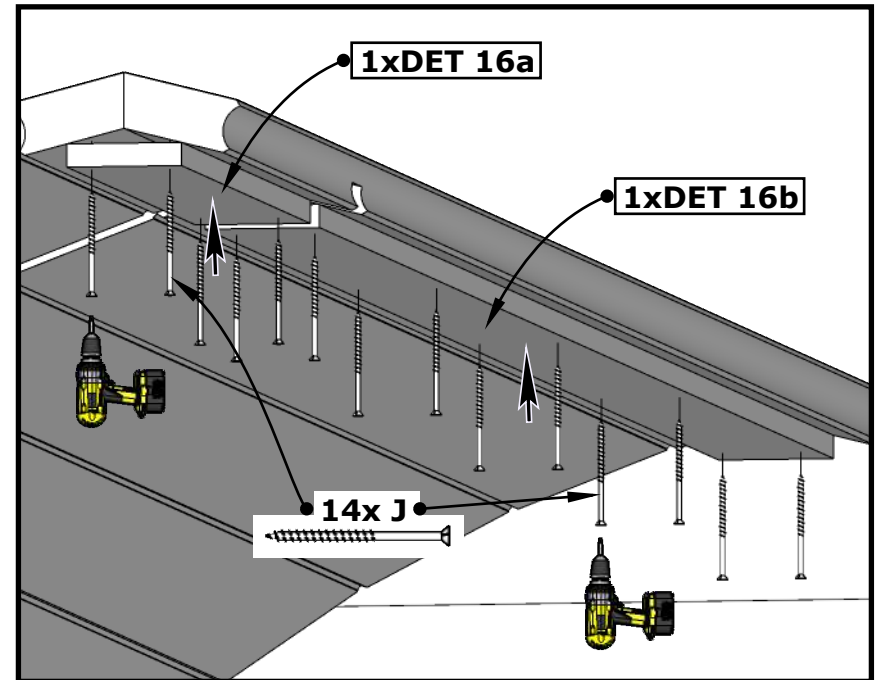
Cut floor salatses from DET 15



II

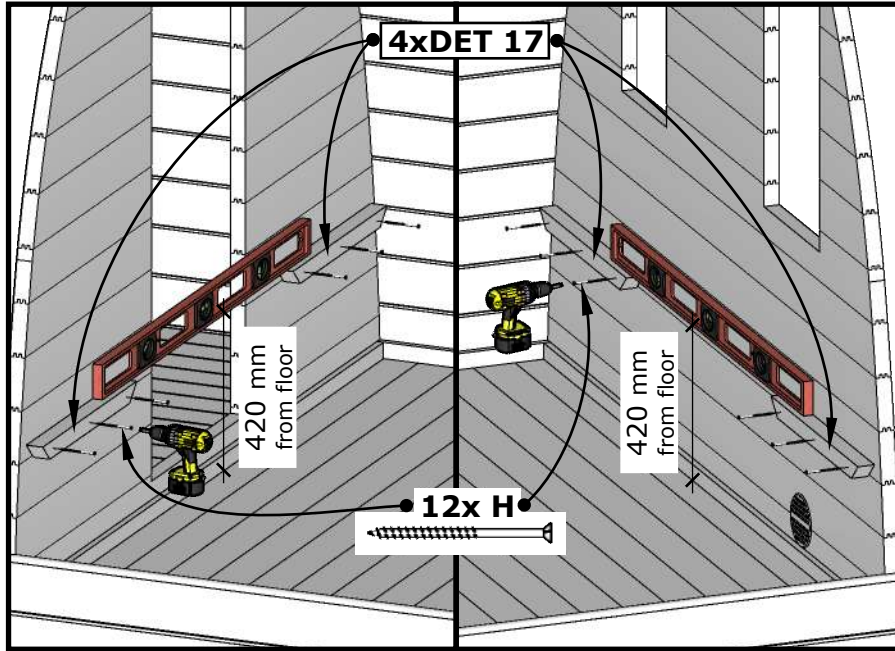


8. III

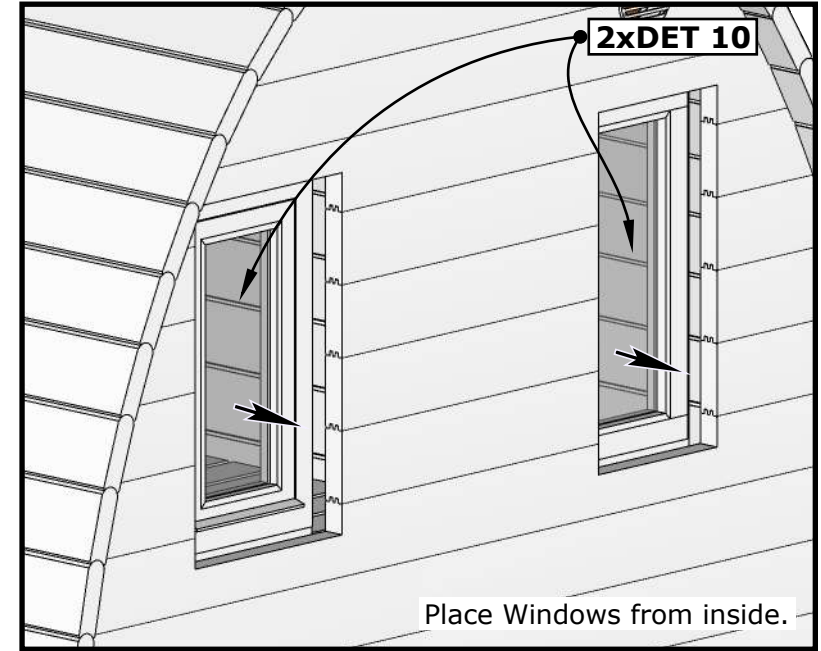


IV

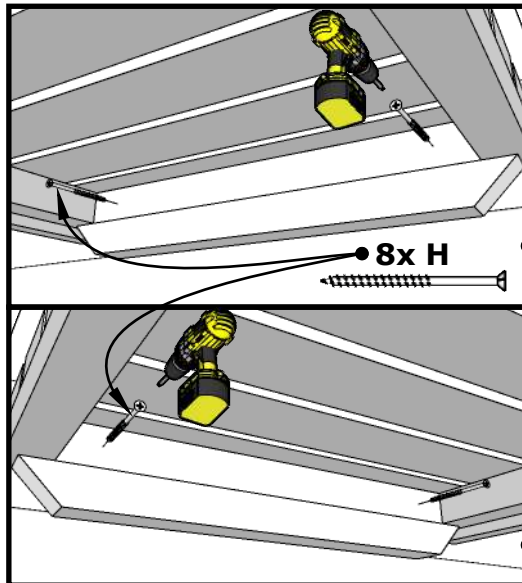
# POD Sauna 300



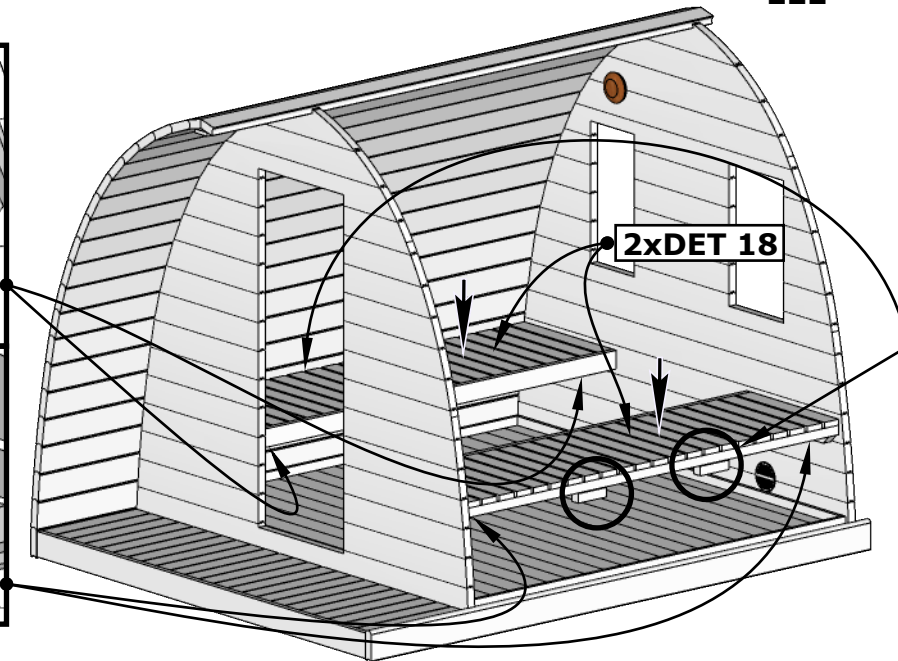
I



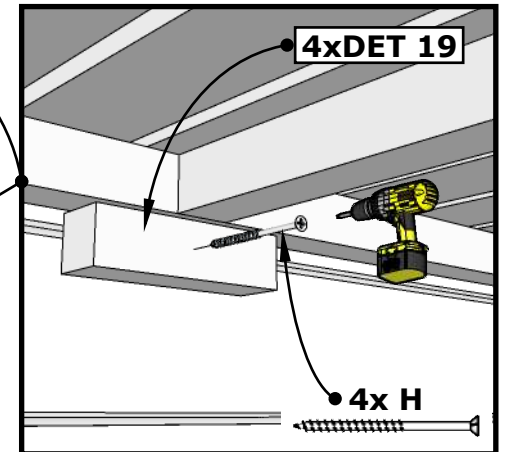
III



9.

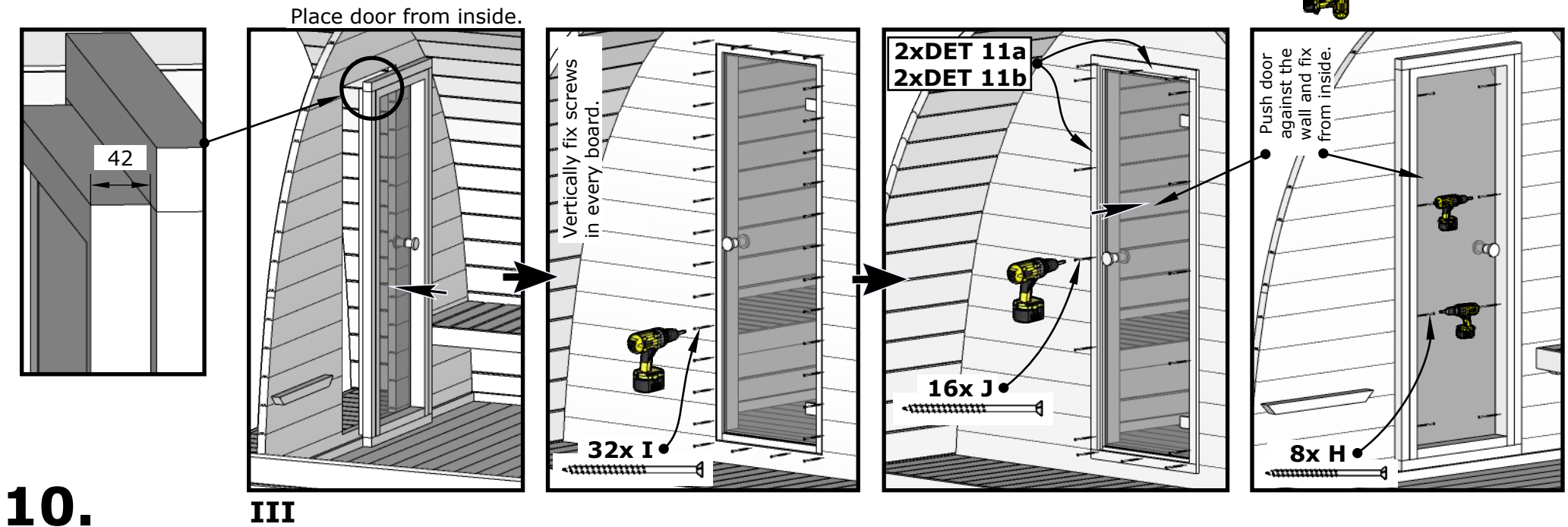
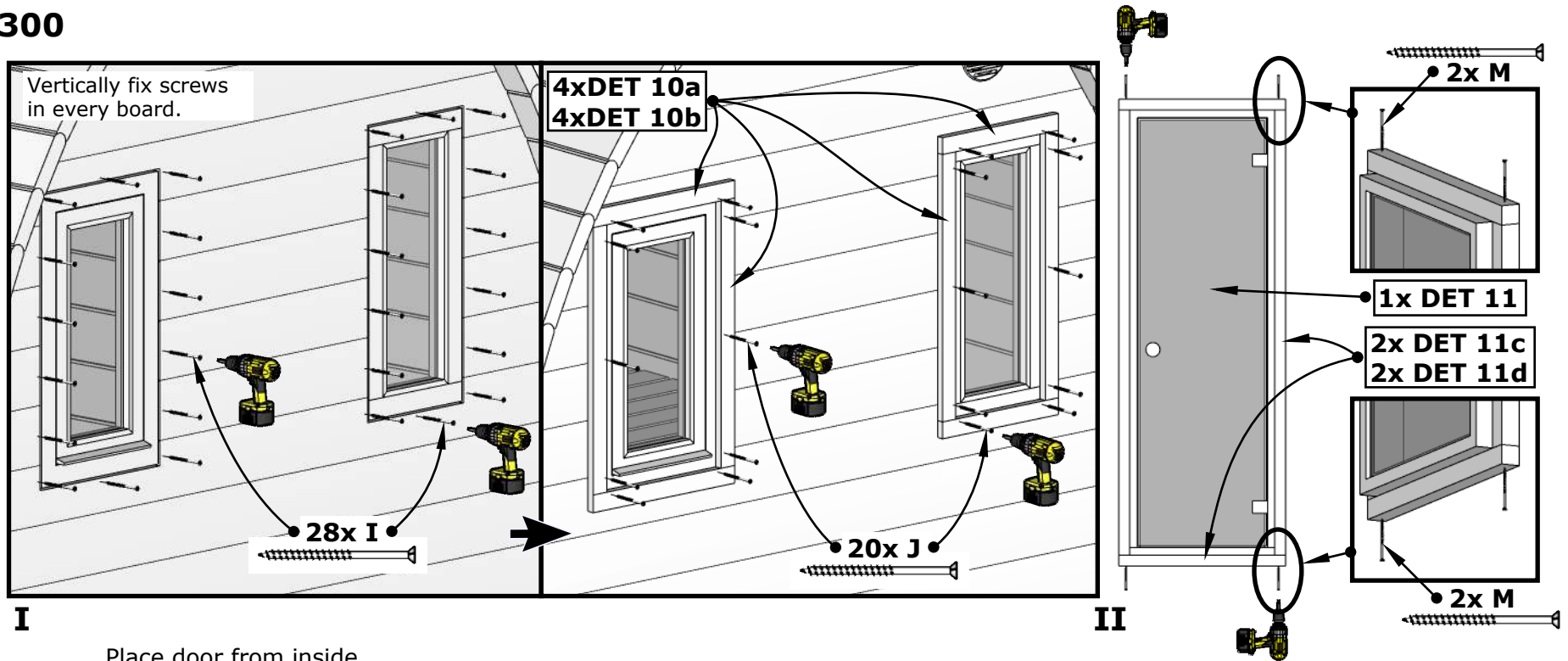


II



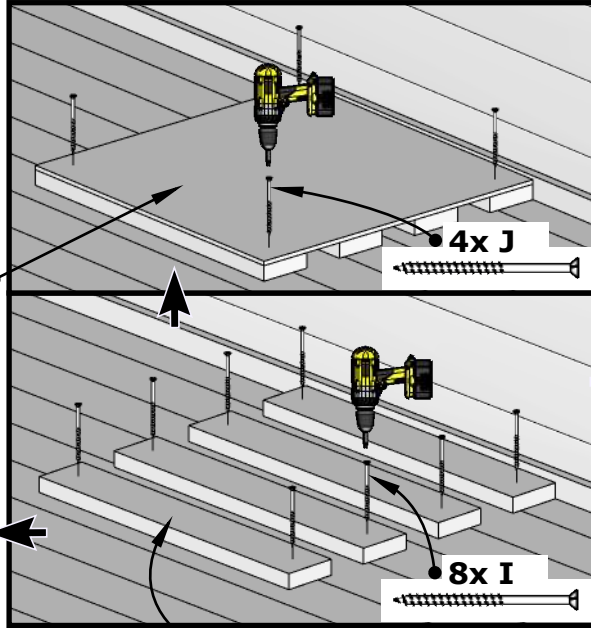
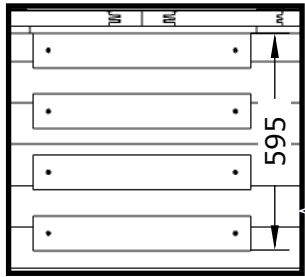
( POD 003 )

# POD Sauna 300

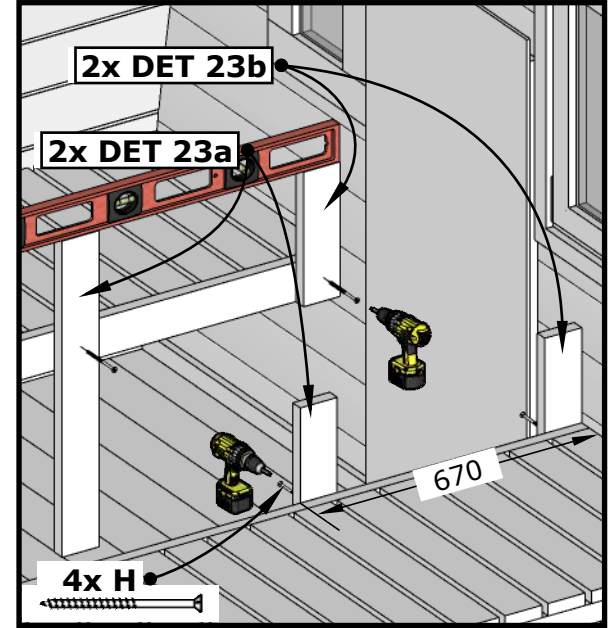
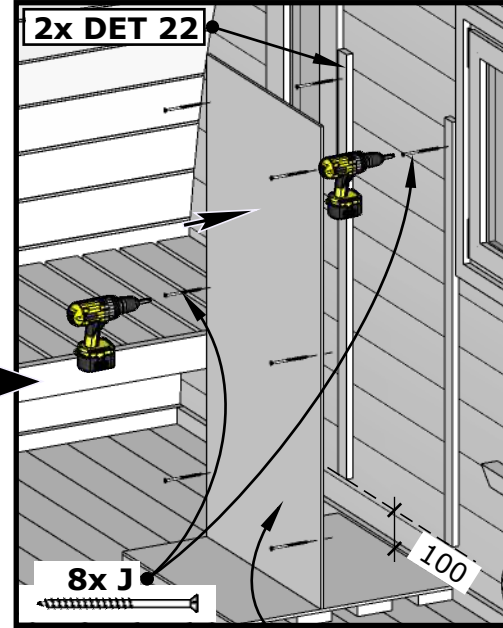


10.

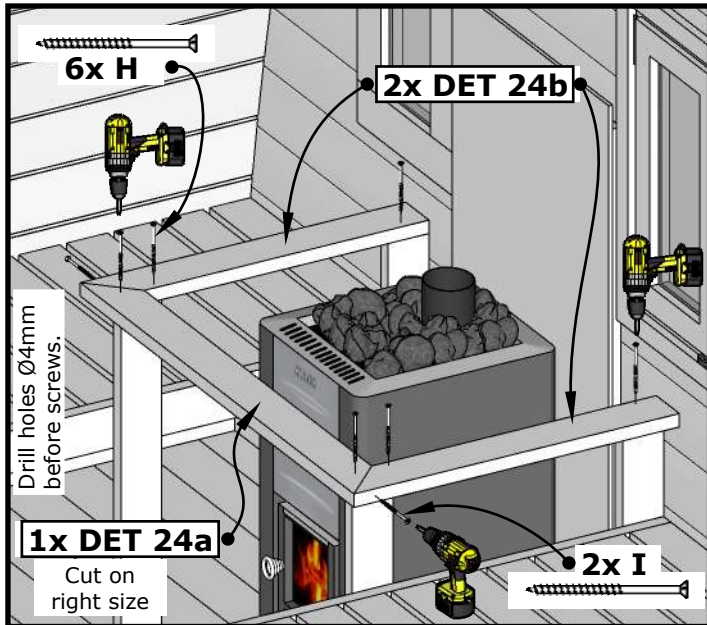
# POD Sauna 300



**I**

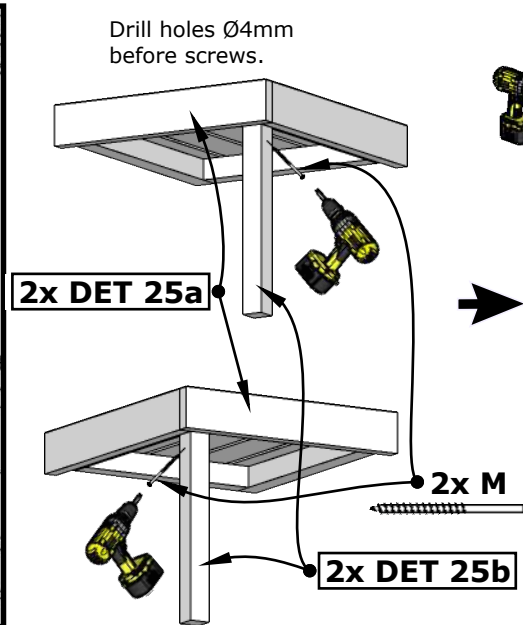


**II**

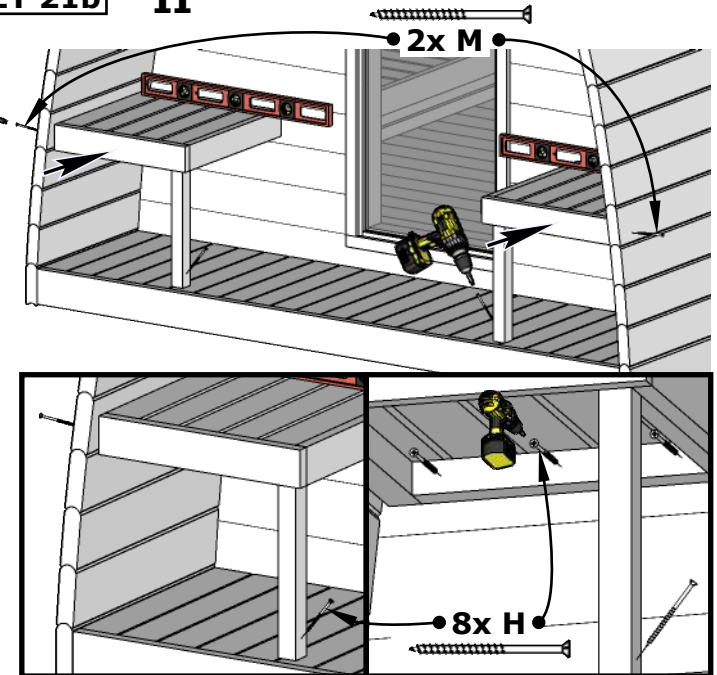


**III**

Place heater first!



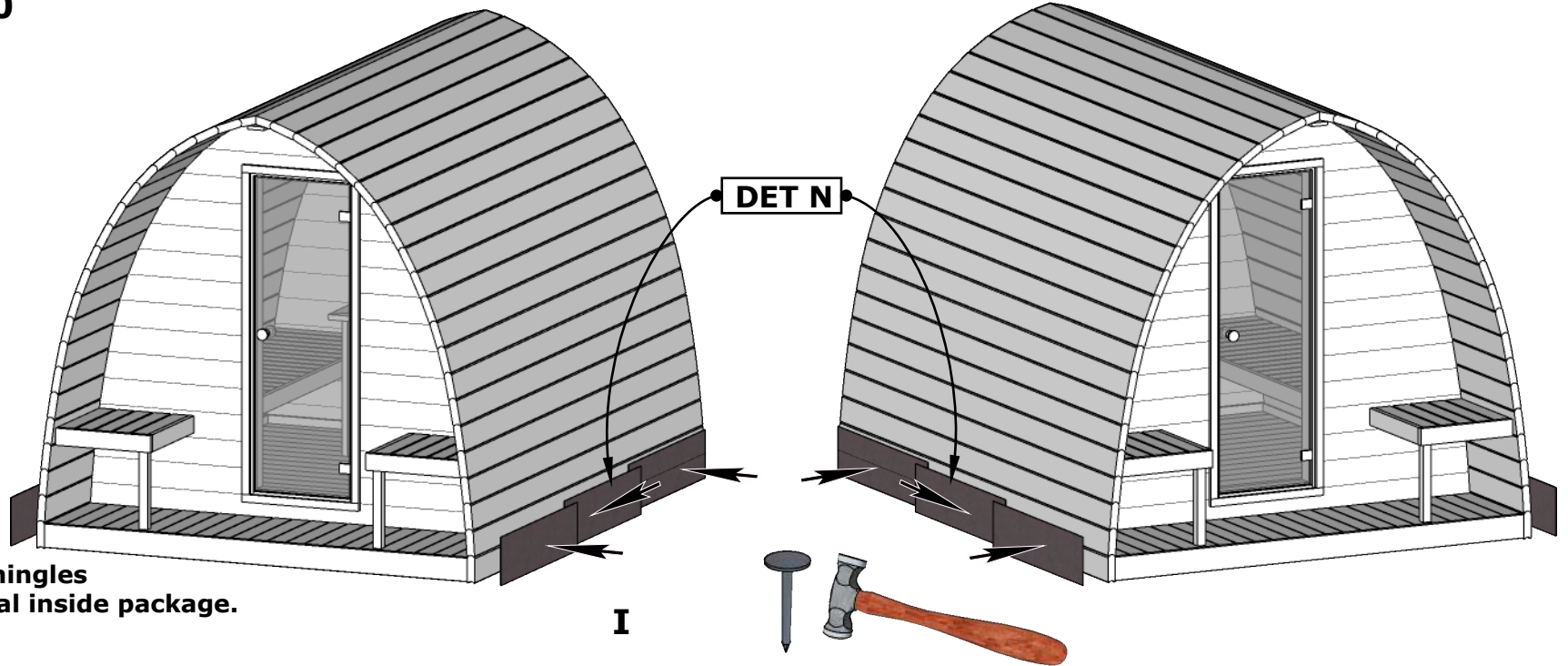
**IV**



**11.**

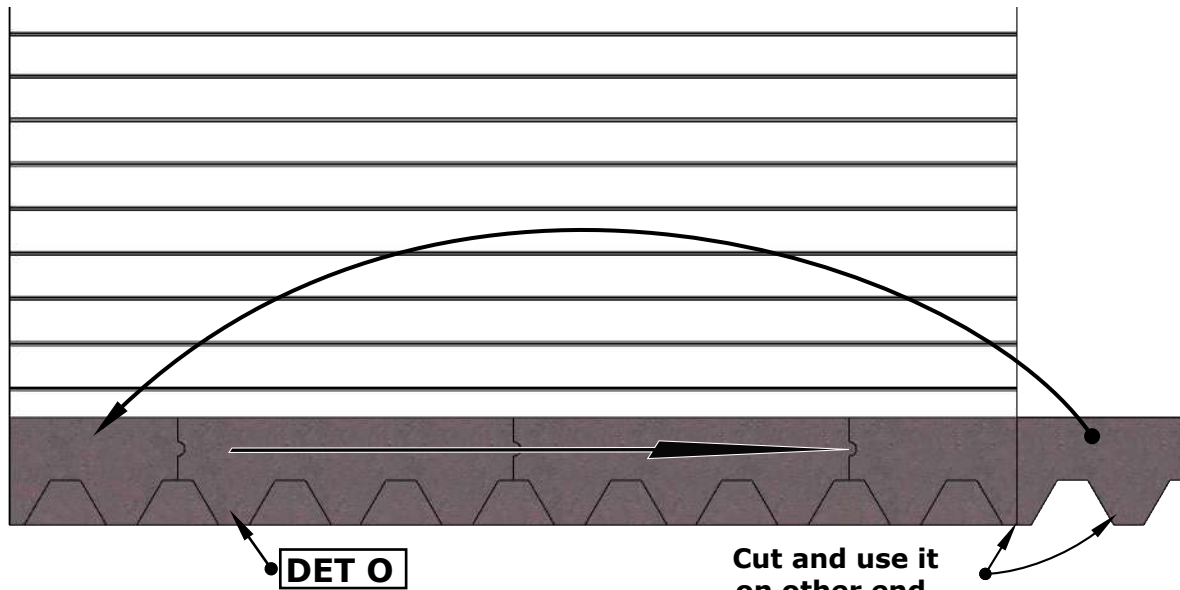
( POD 003 )

# POD Sauna 300



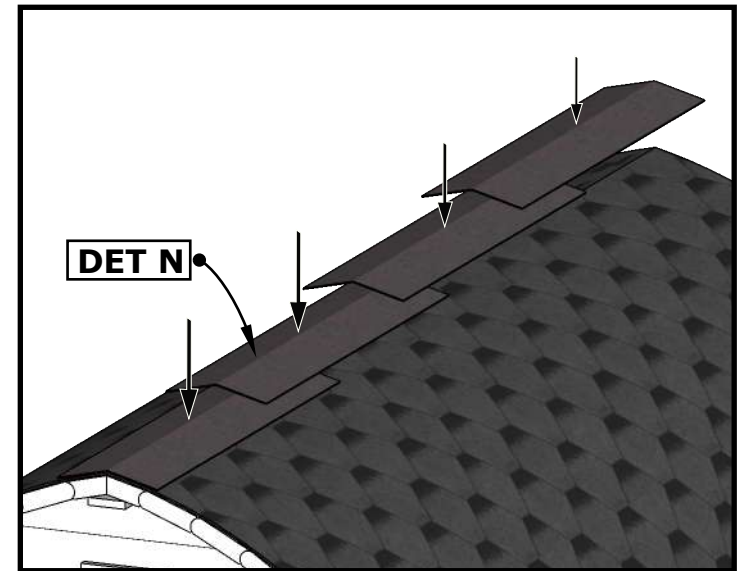
Check also roof shingles installation manual inside package.

I



Cut and use it on other end.

DET O

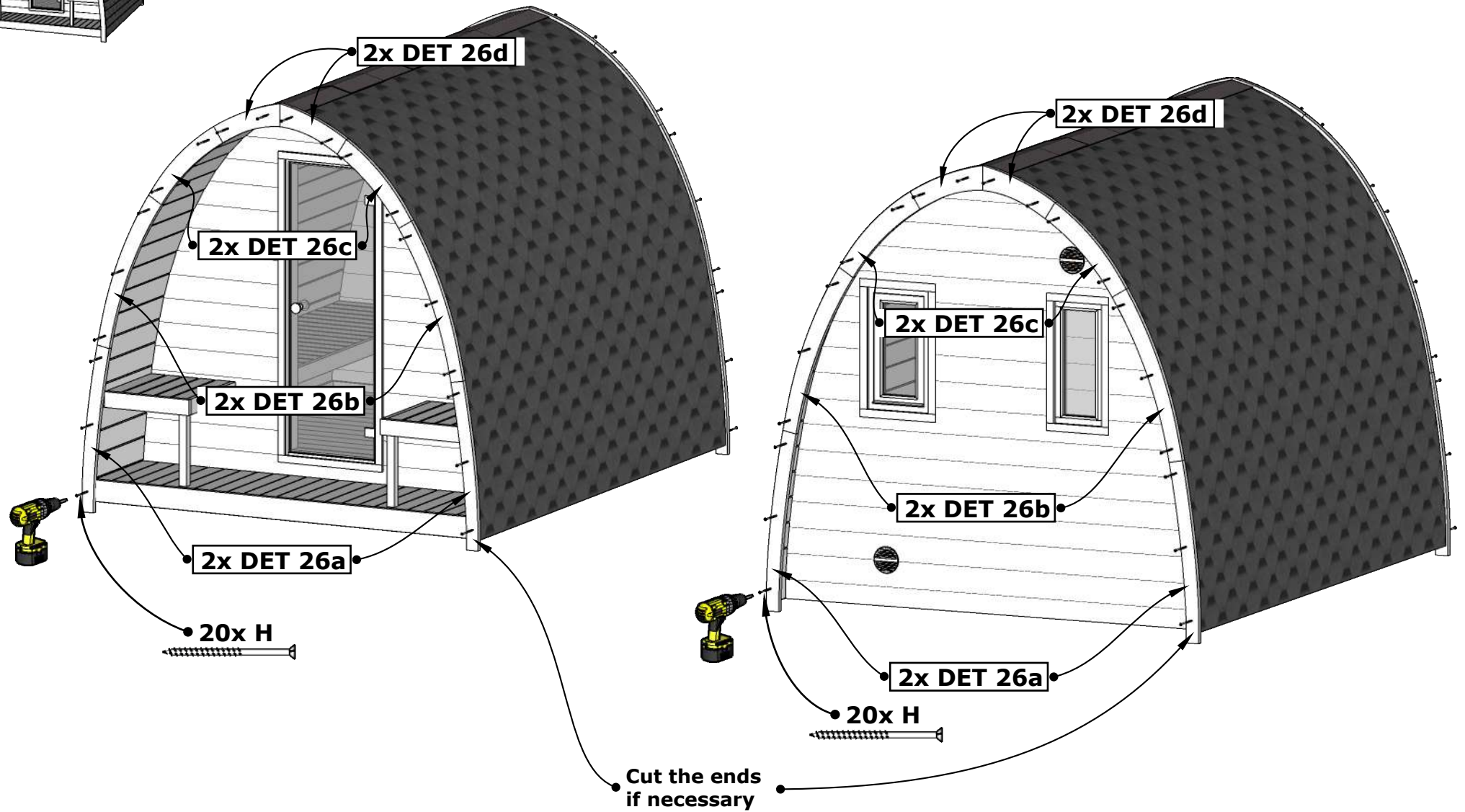


III

12.

( POD 003 )

# POD Sauna 300



**13.**

( POD 003 )