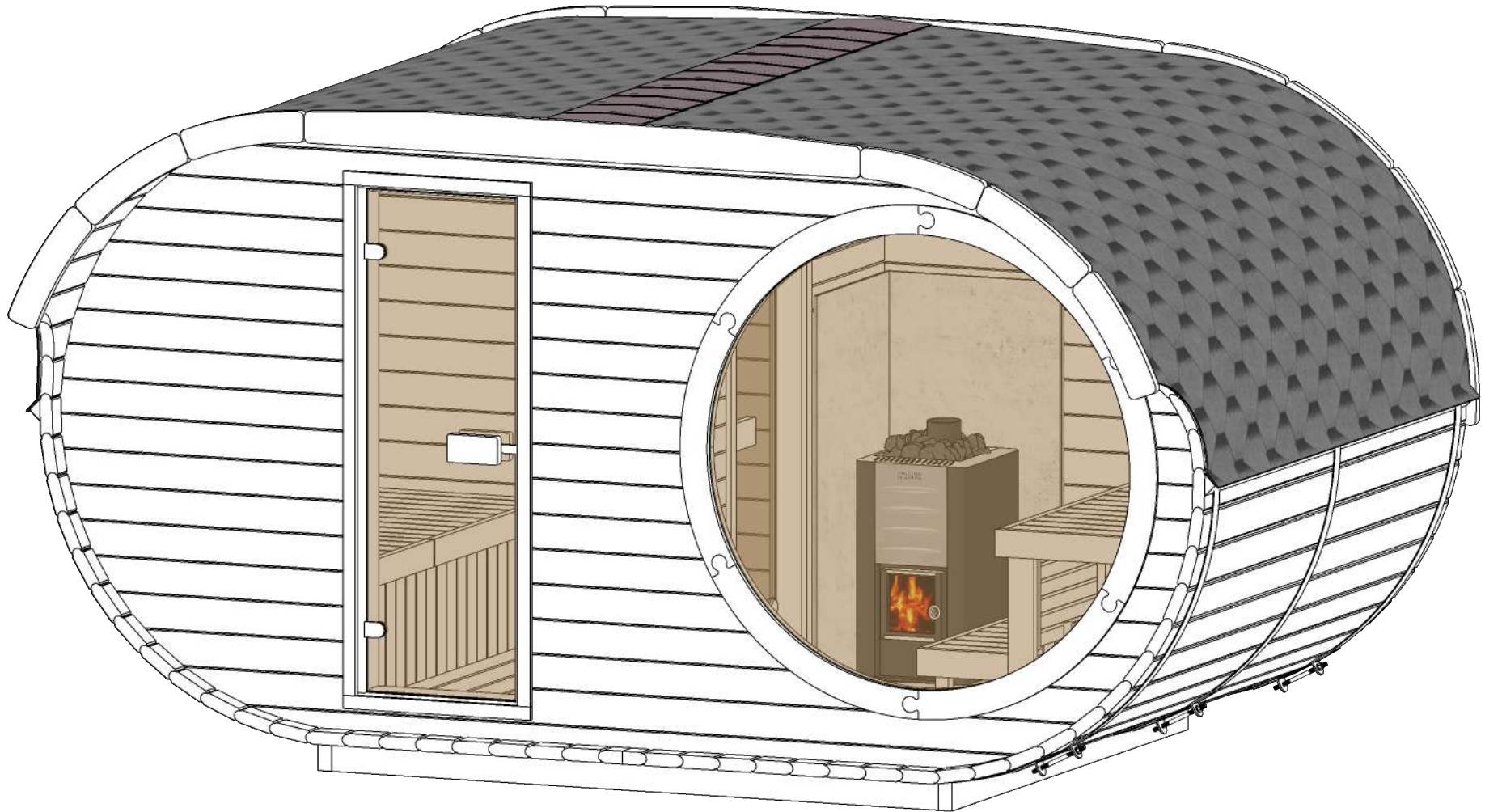


Sauna Oval 4*2,4

Please read the whole manual
before You start.

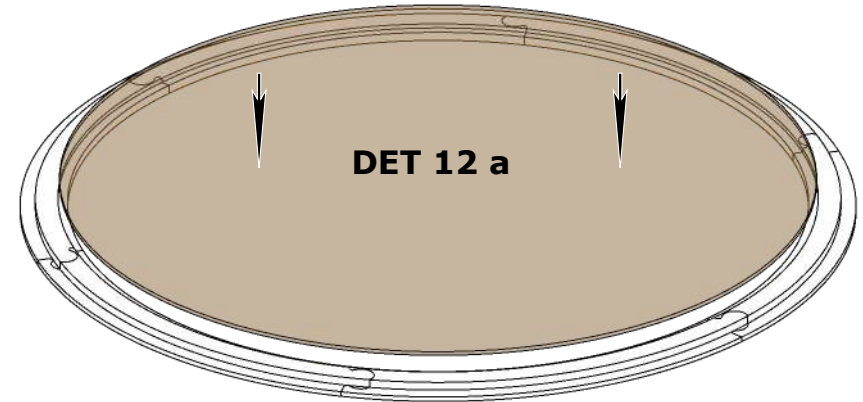
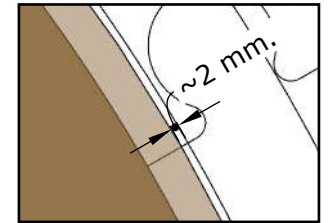
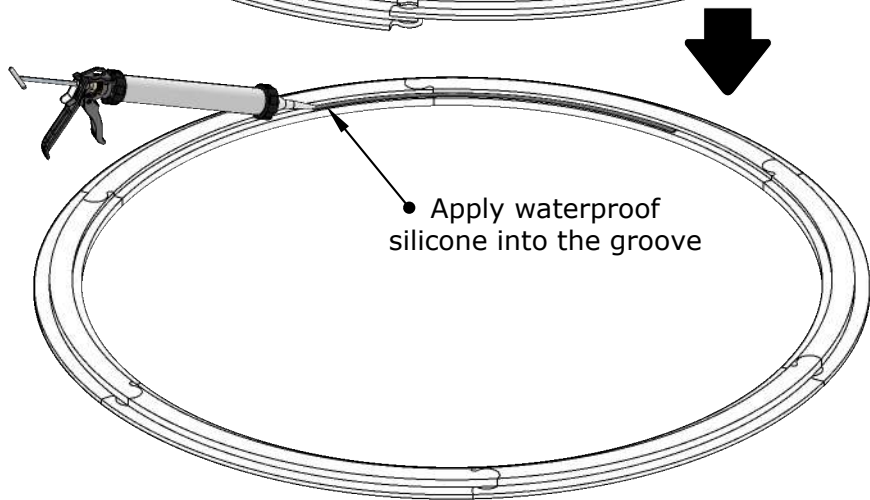
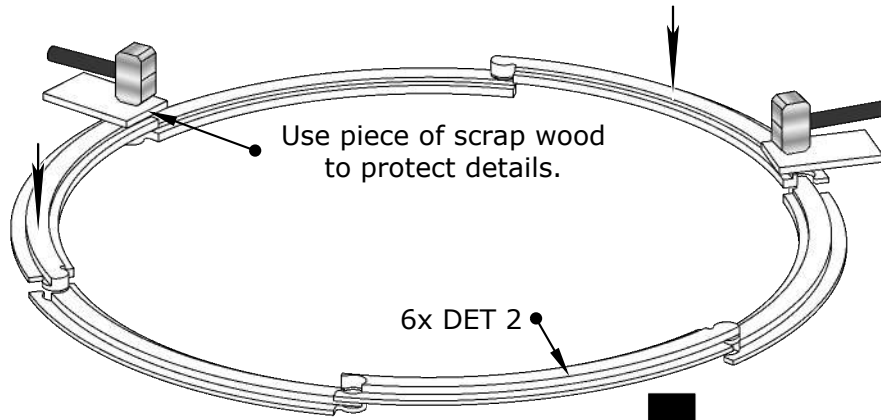
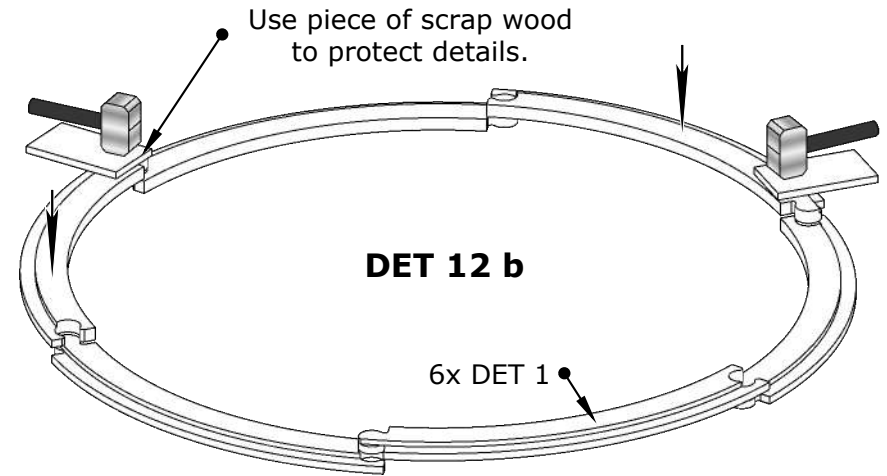
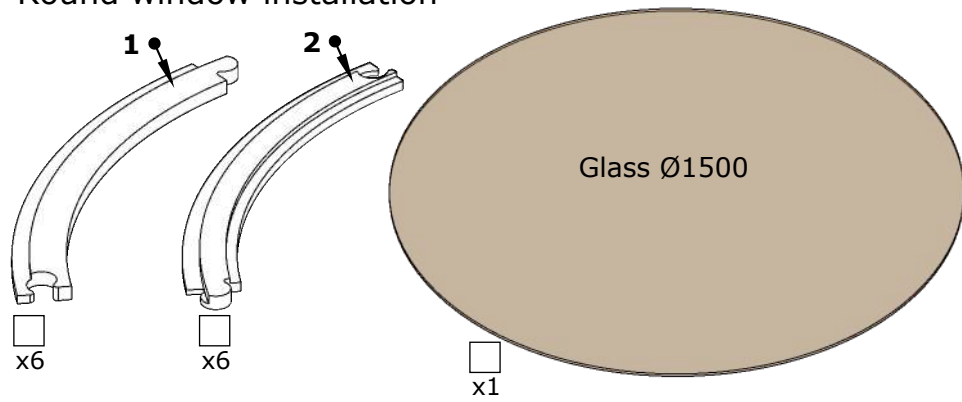
All given measurements are in millimeters.



(OV-001)

Sauna Oval 4*2,4

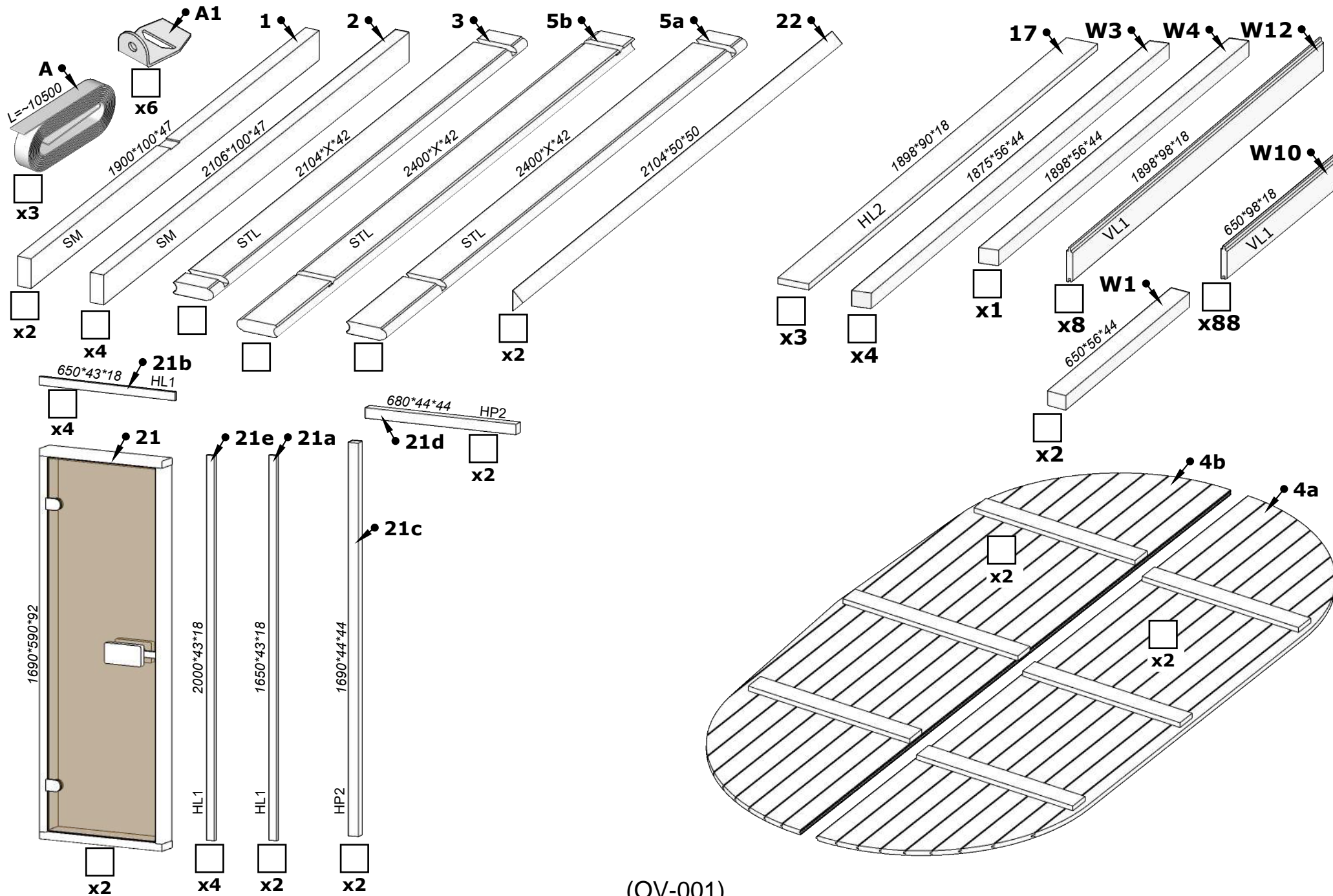
Round window installation



Continue with main installation manual.

Sauna Oval 4* 2,4

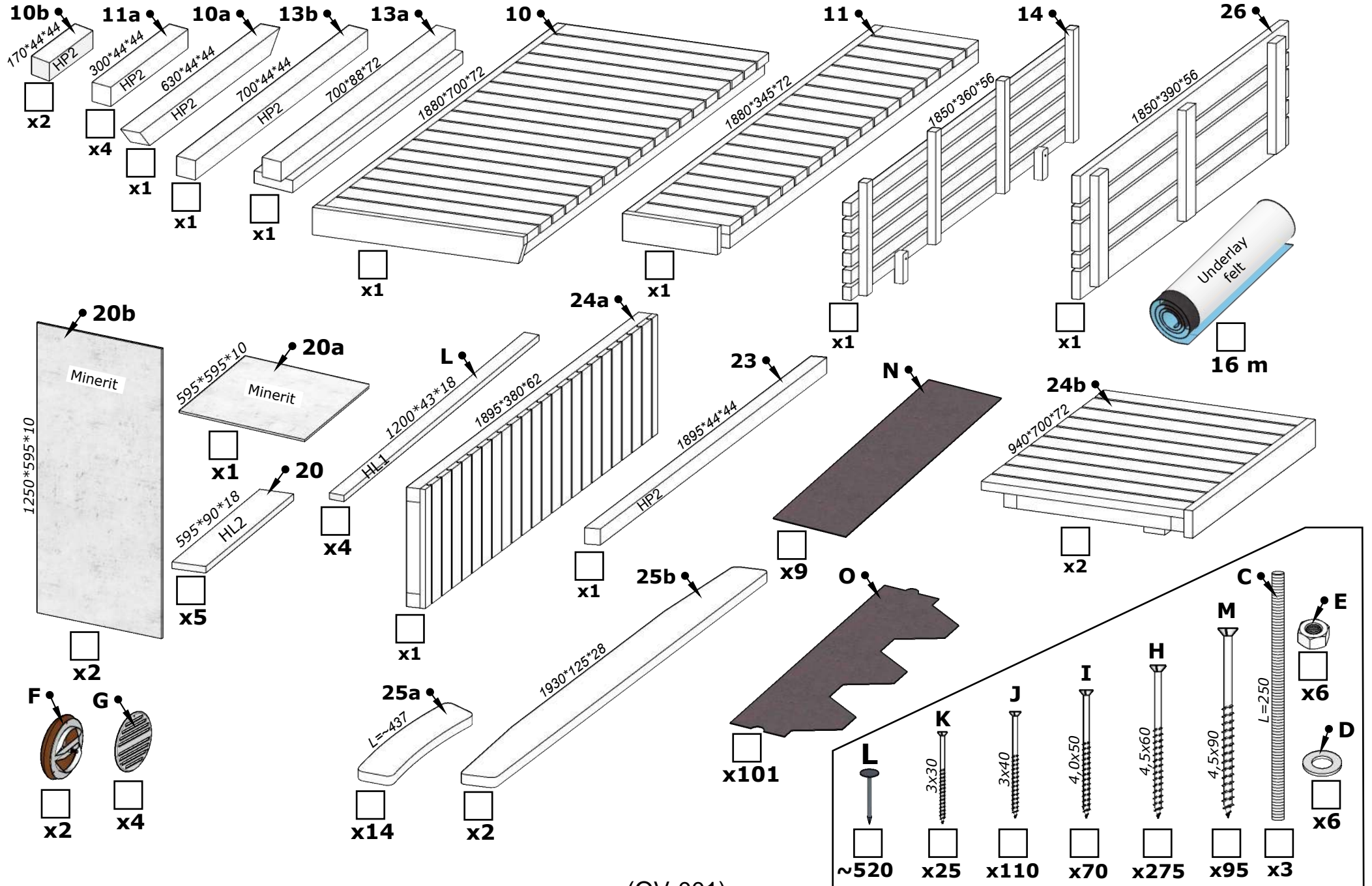
Details list 1.



(OV-001)

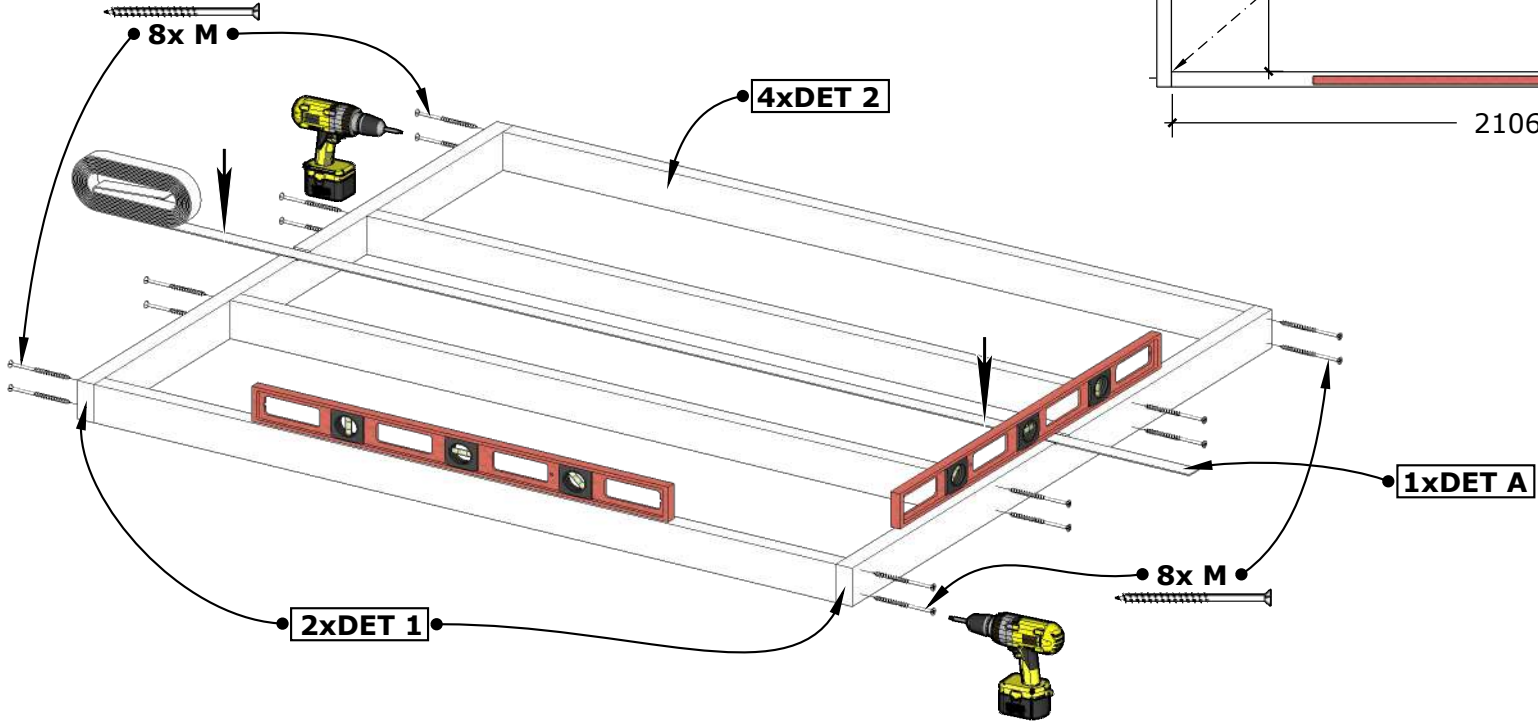
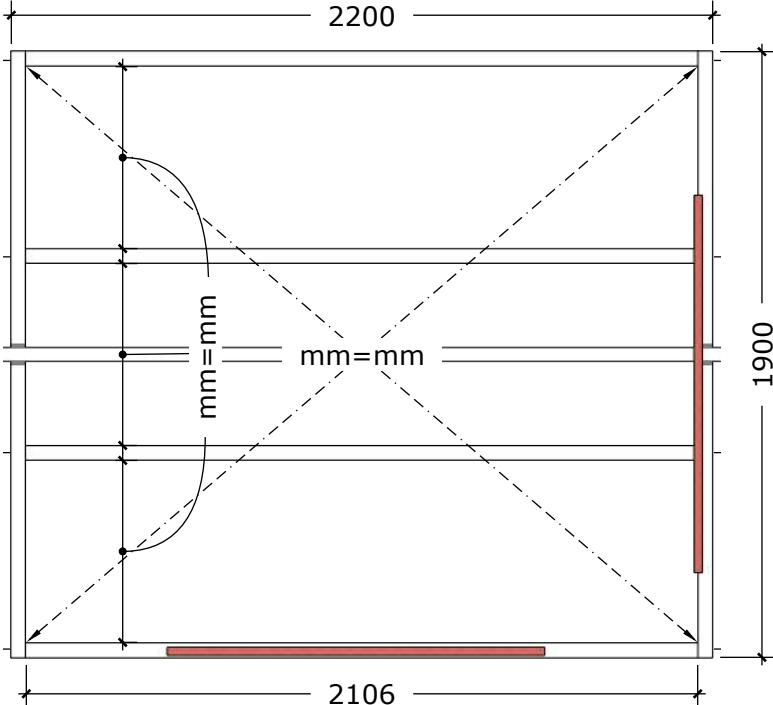
Sauna Oval 4* 2,4

Details list 2.



(OV-001)

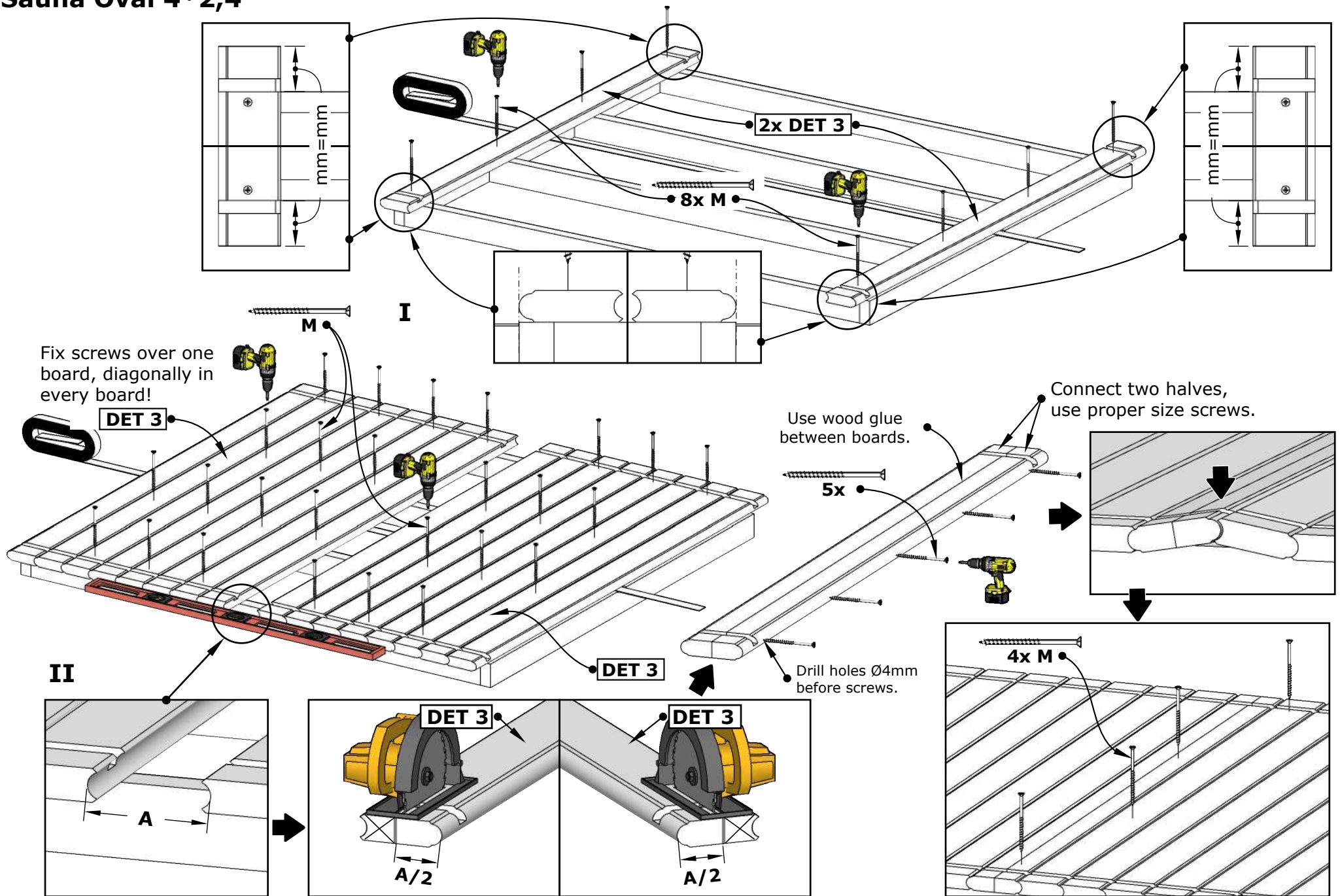
Sauna Oval 4*2,4



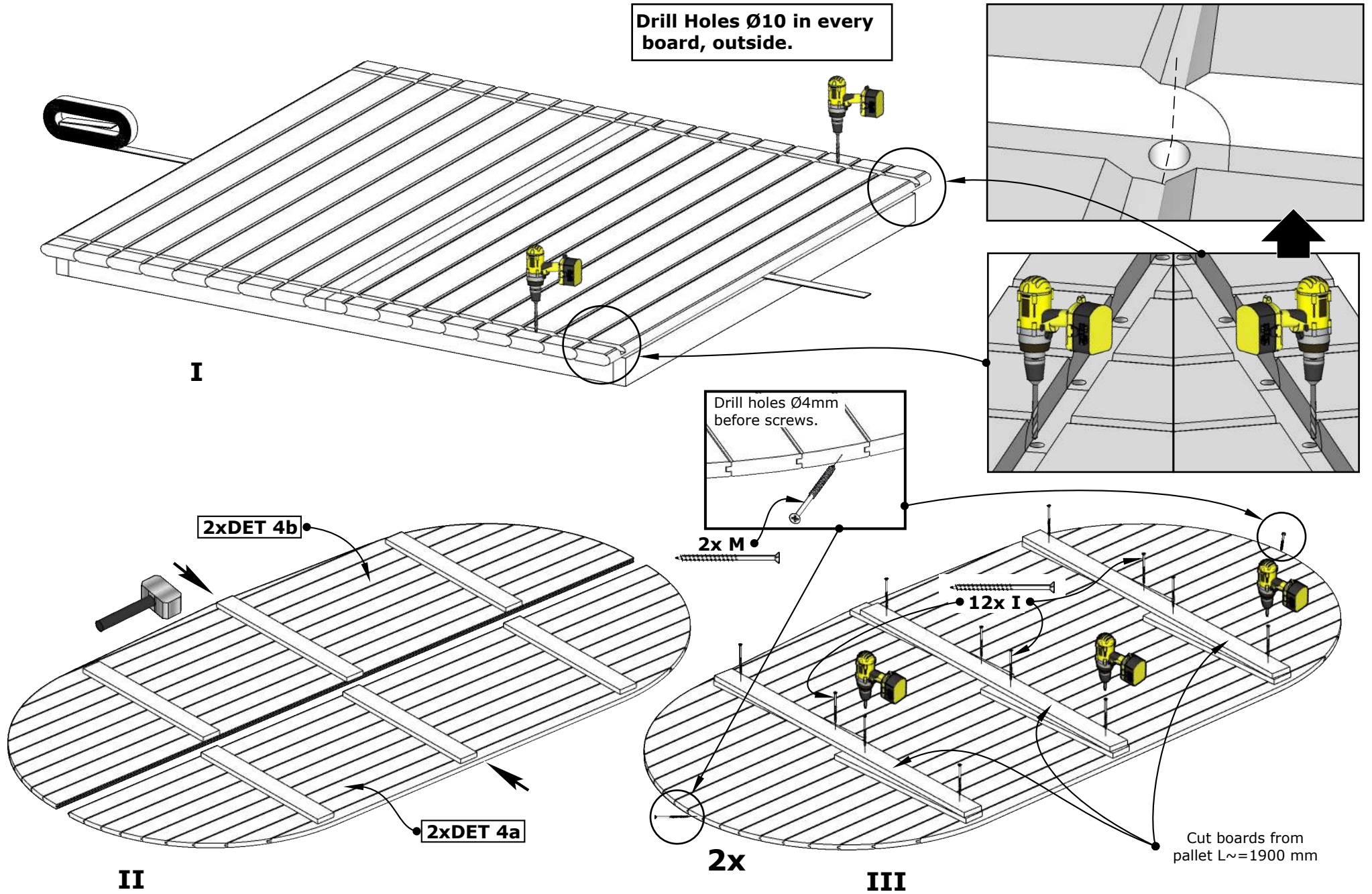
1.

(OV-001)

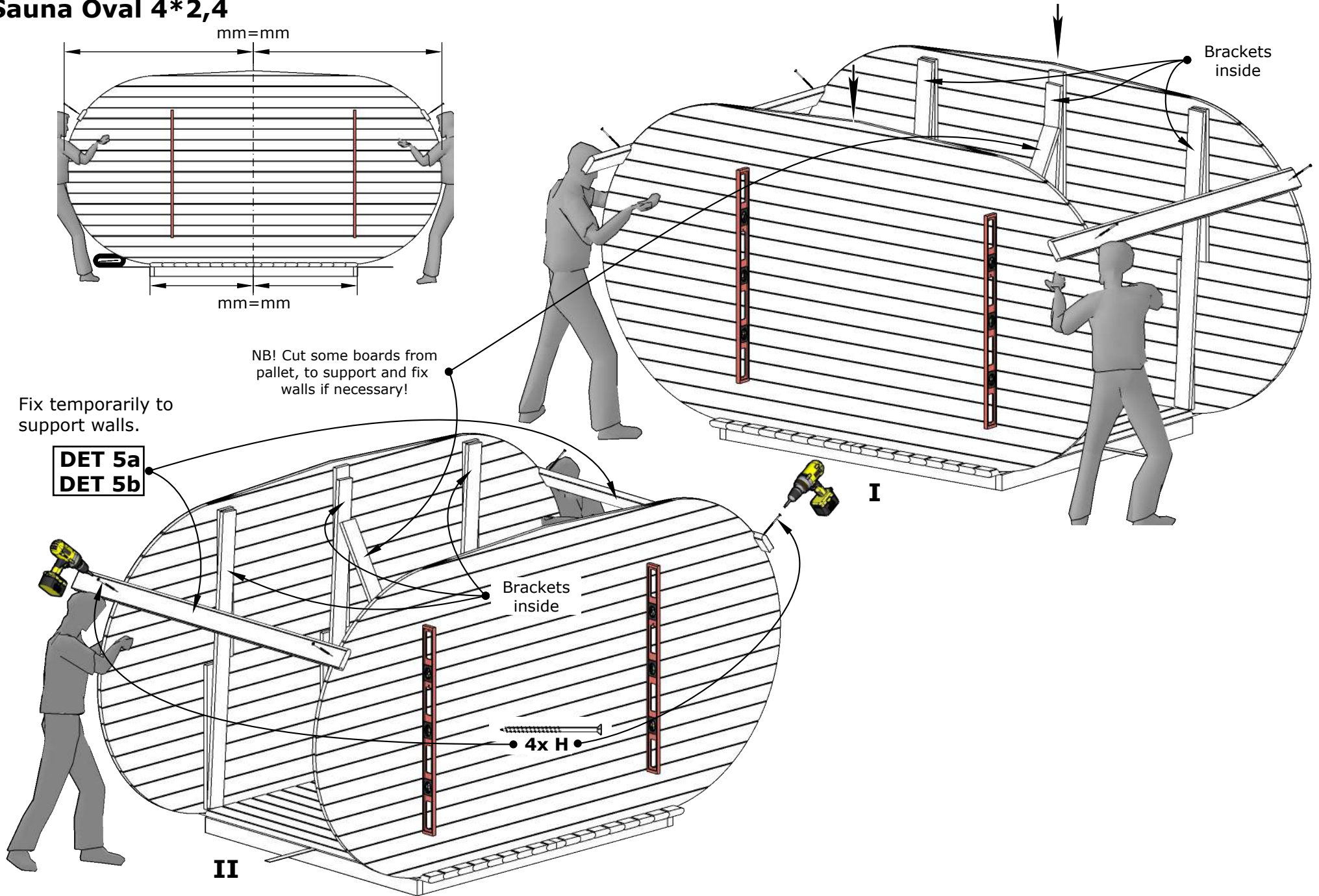
Sauna Oval 4*2,4



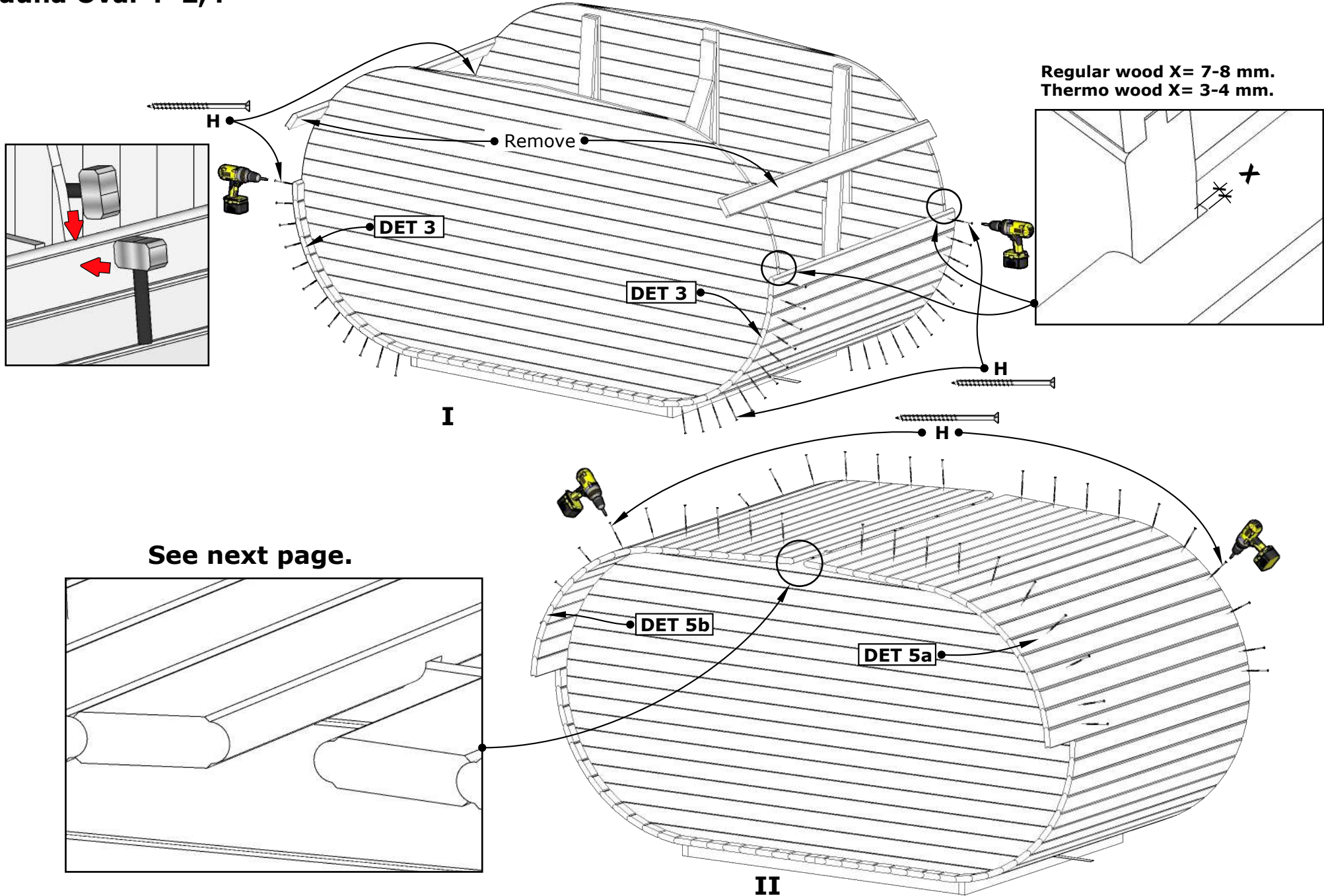
Sauna Oval 4*2,4



Sauna Oval 4*2,4

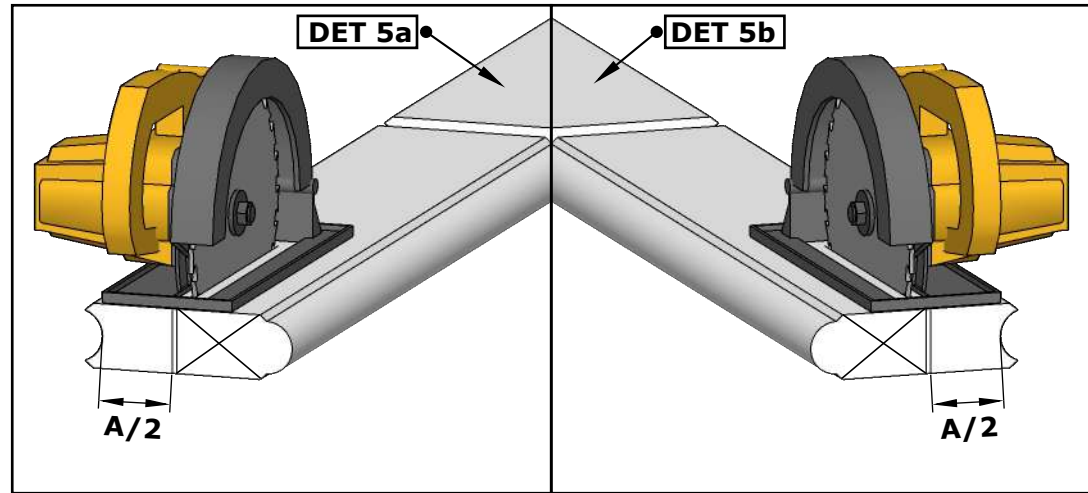
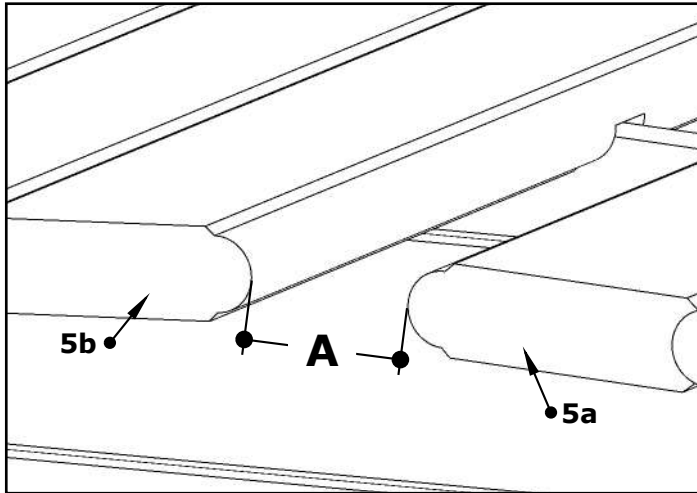


Sauna Oval 4*2,4

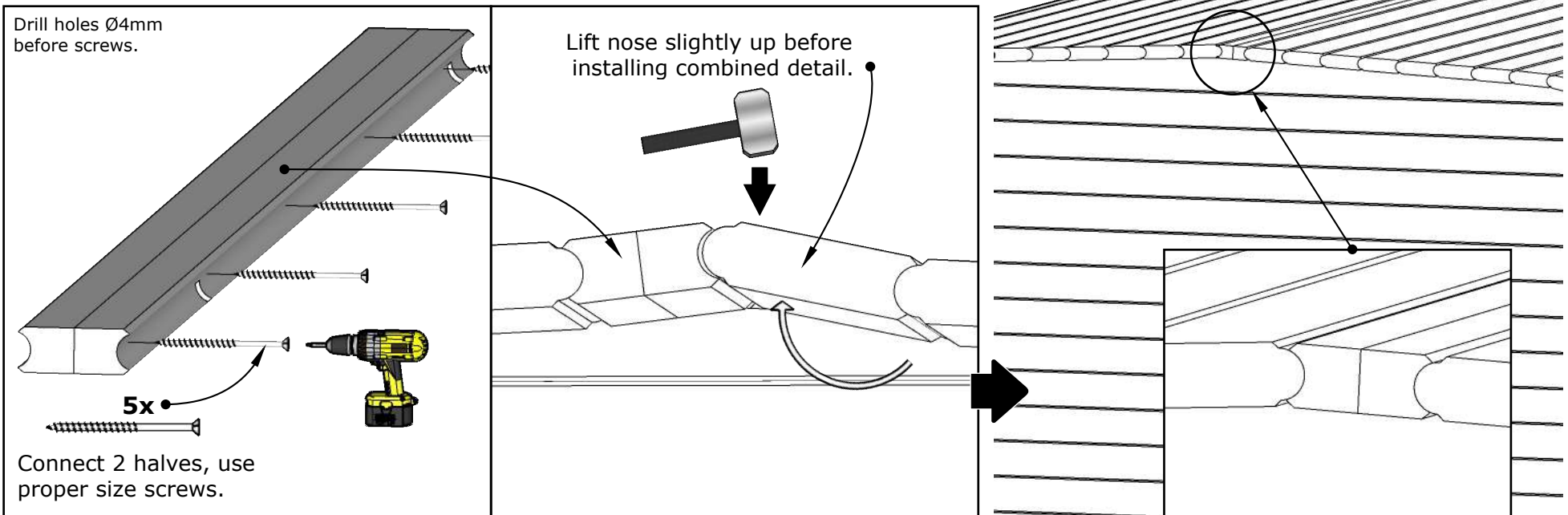


See next page.

Sauna Oval 4*2,4



I

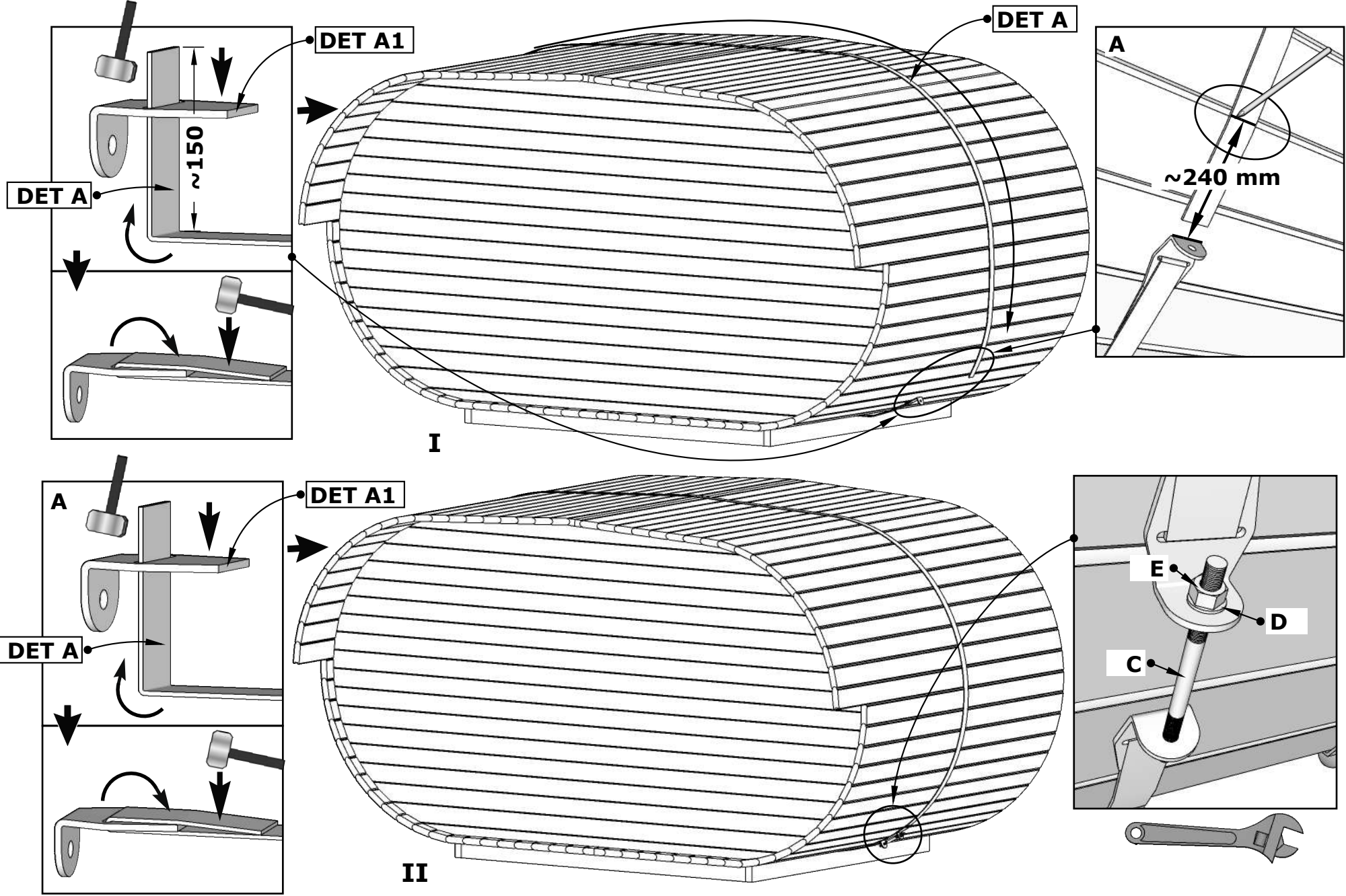


II

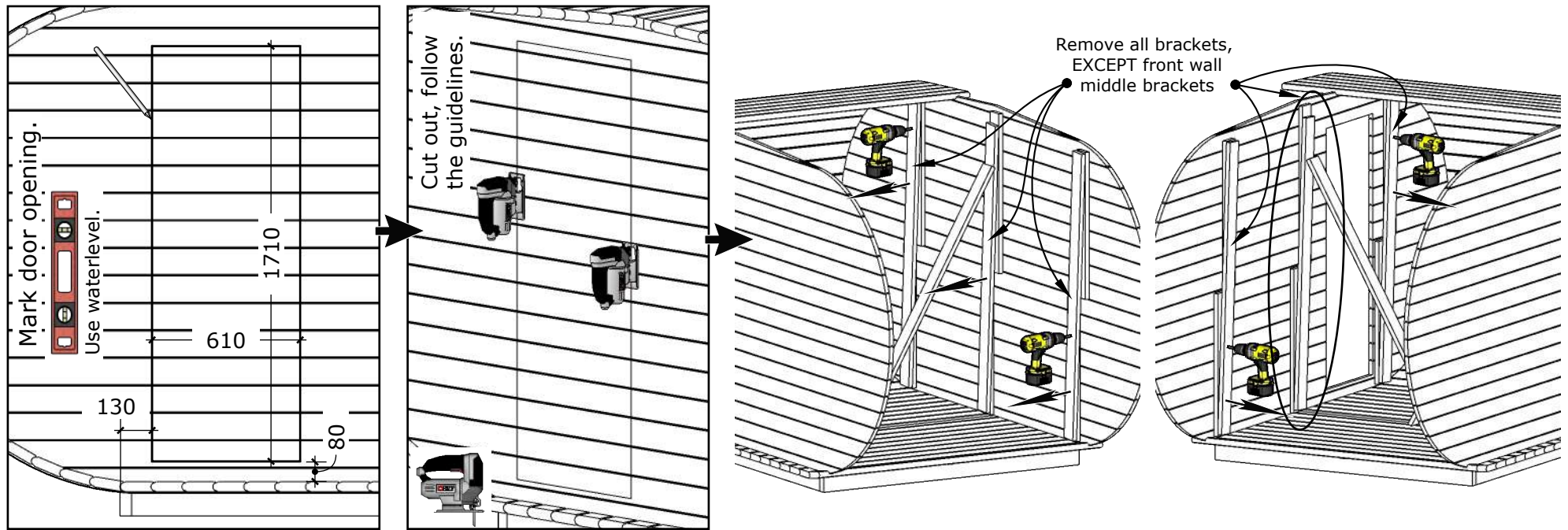
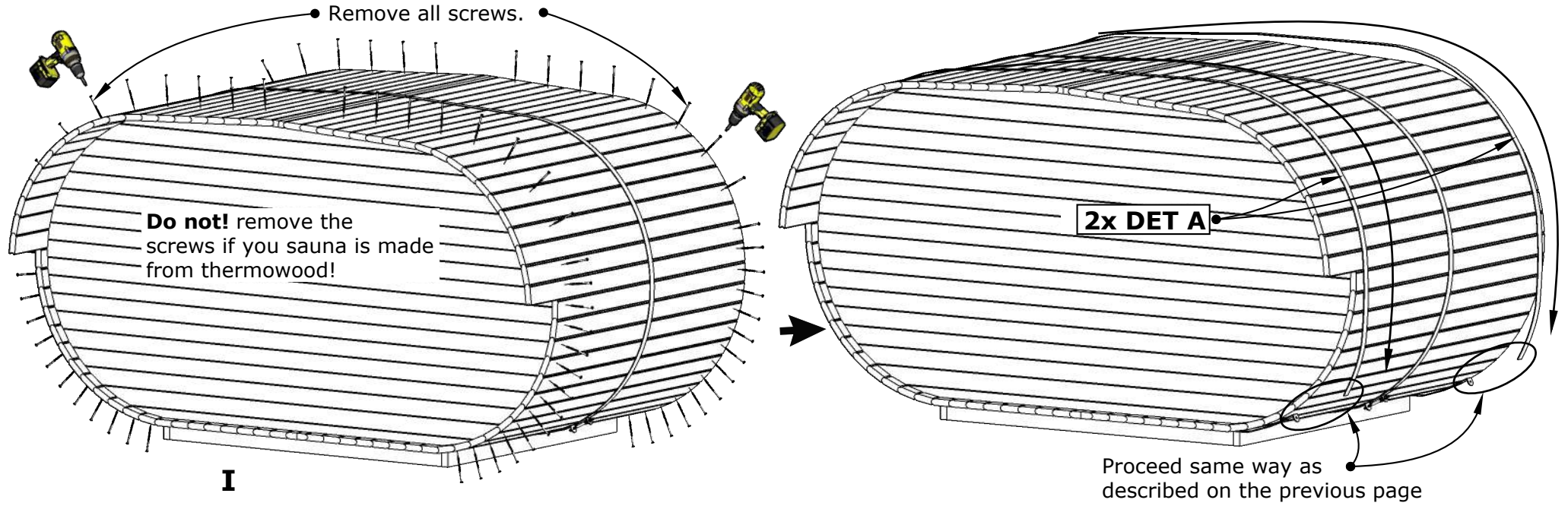
6.

(OV-001)

Sauna Oval 4*2,4



Sauna Oval 4*2,4

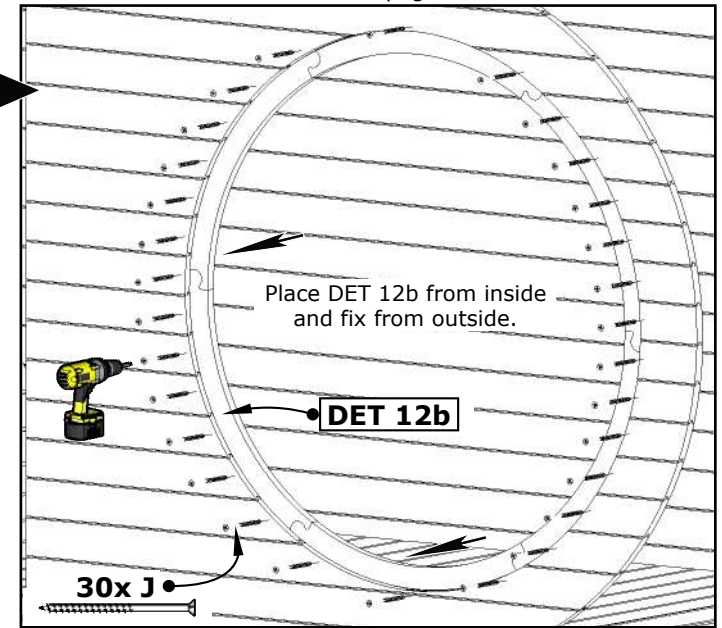
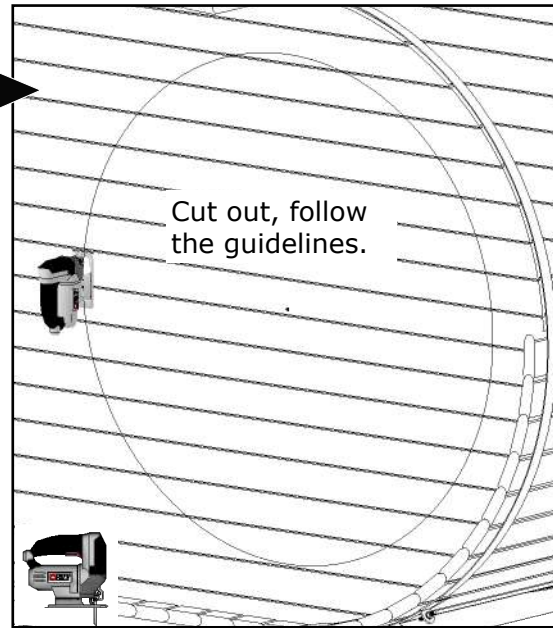
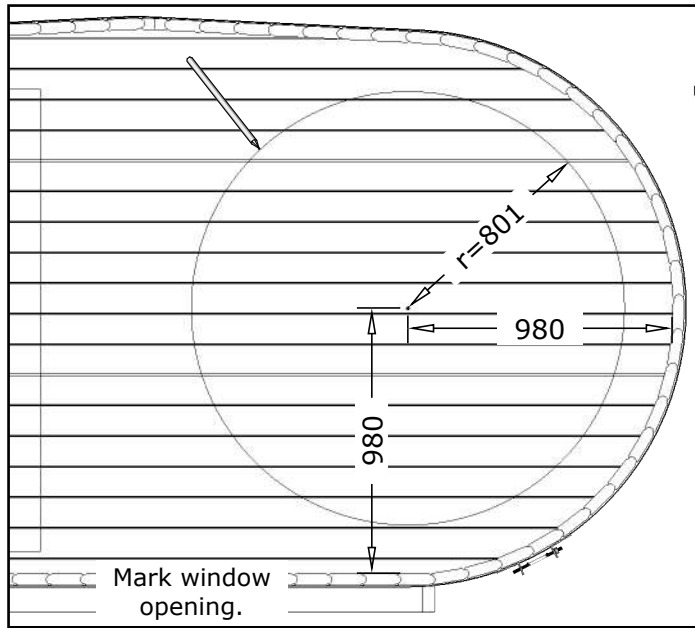


8.

II

(OV-001)

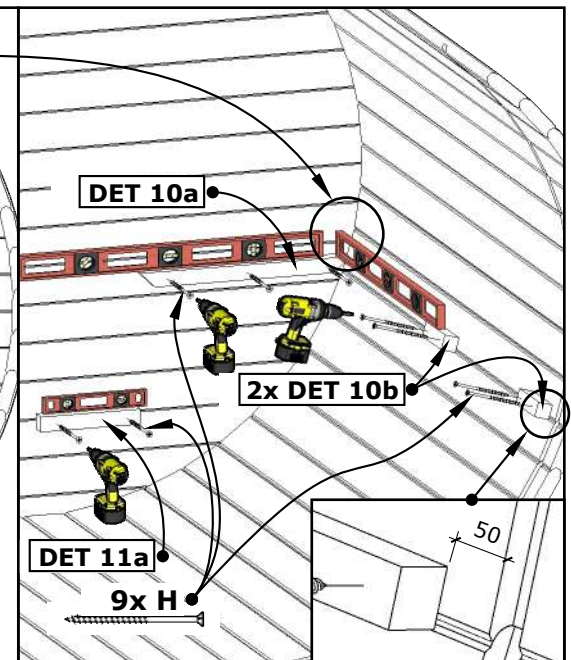
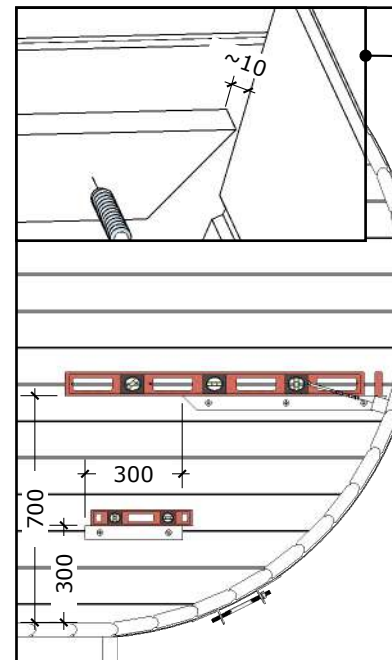
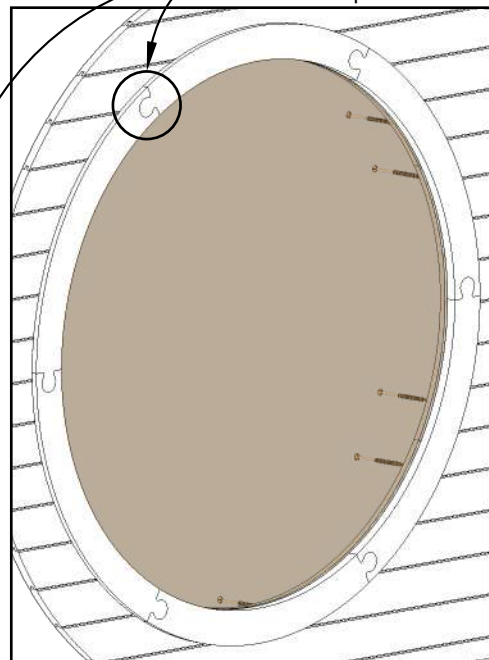
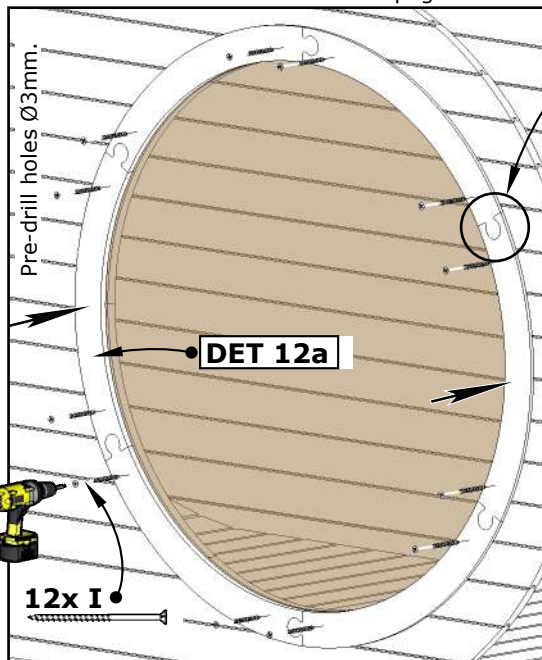
Sauna Oval 4*2,4



Check window fabrication manual on extra pages.

I Check window fabrication manual on extra pages.

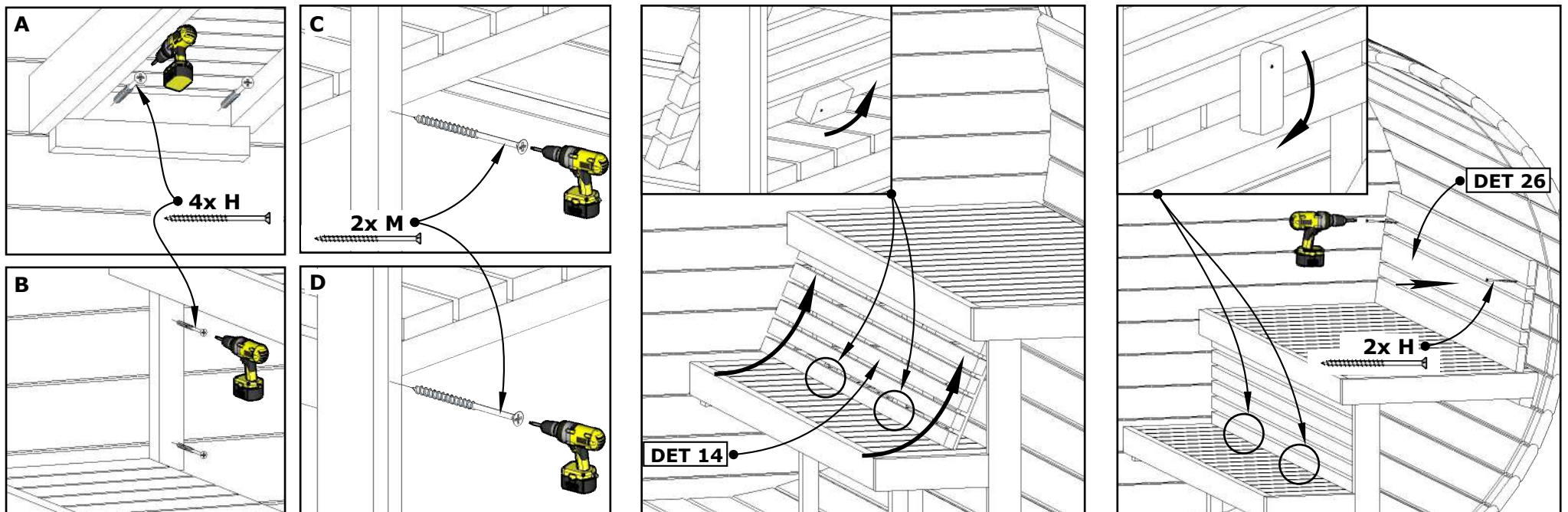
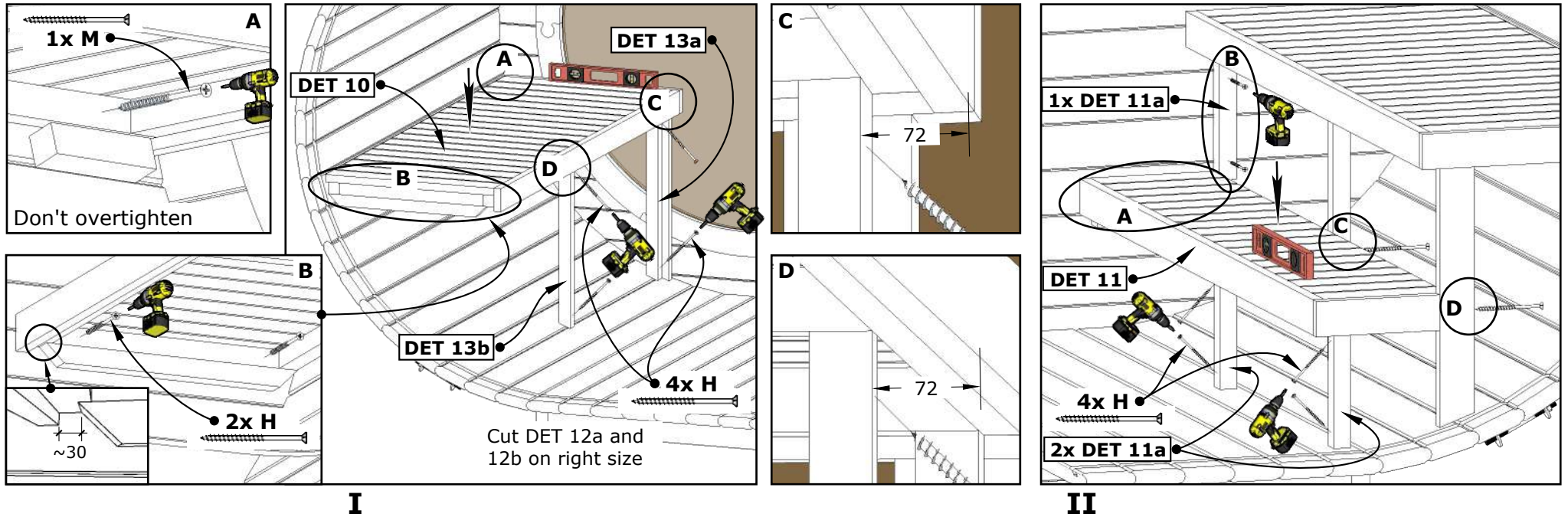
Don't place tenons on the same place



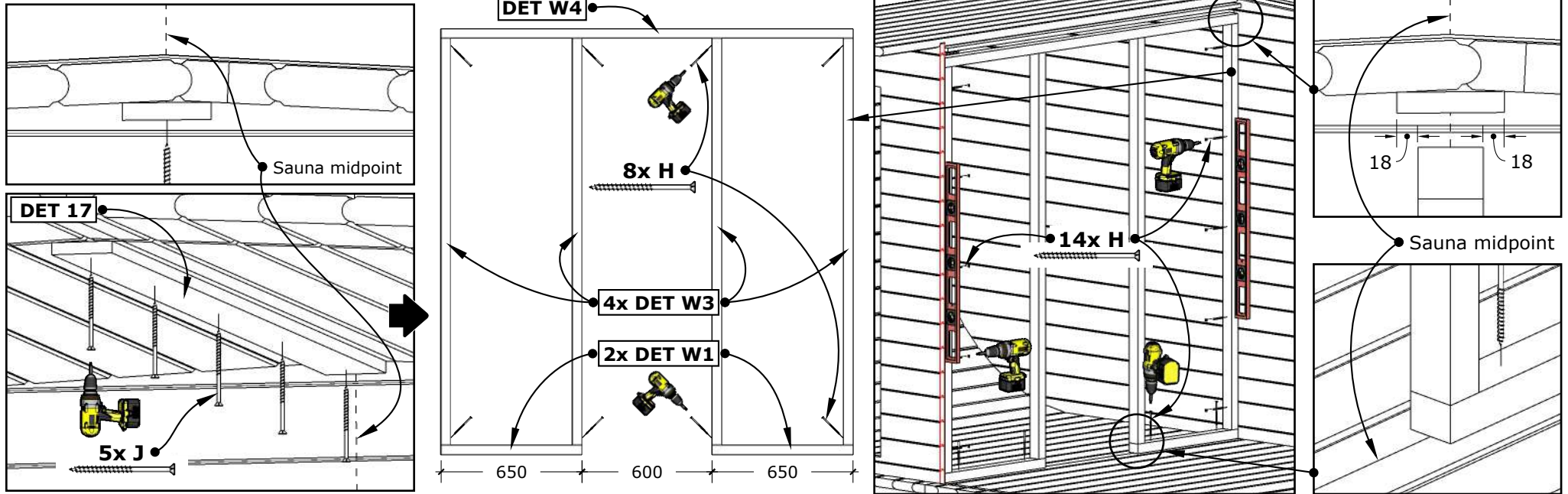
9. **II** Be careful not to hit the glass!

(OV-001)

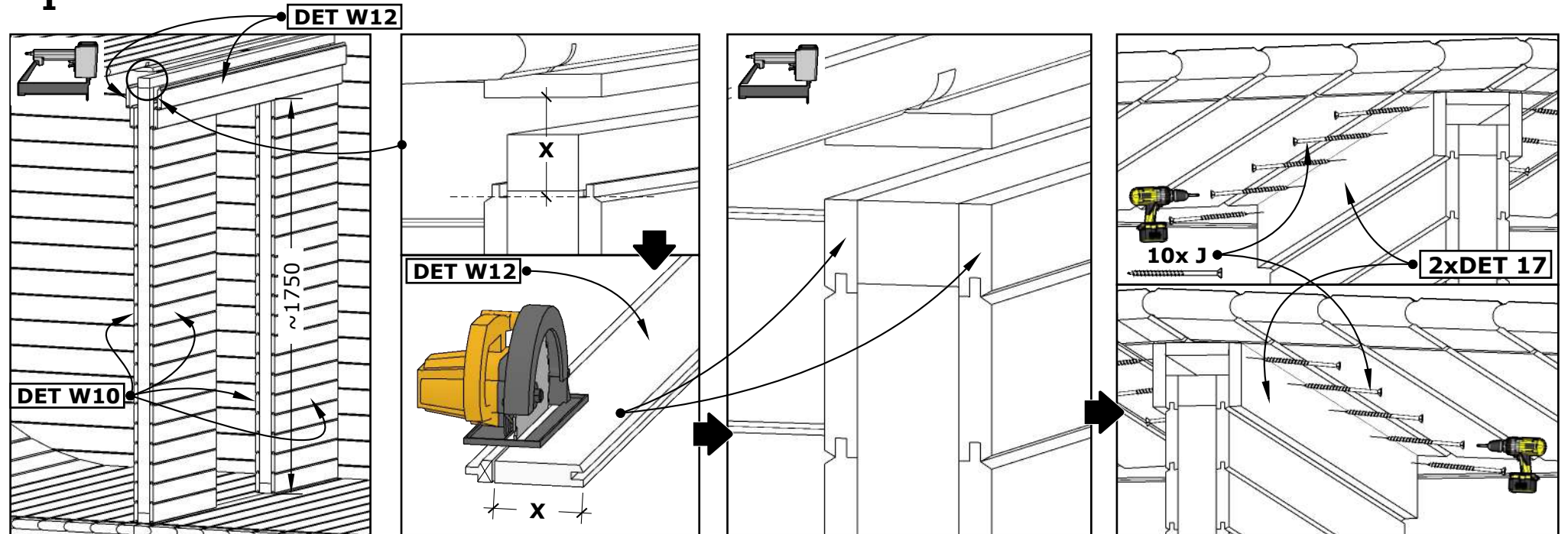
Sauna Oval 4*2,4



Sauna Oval 4*2,4



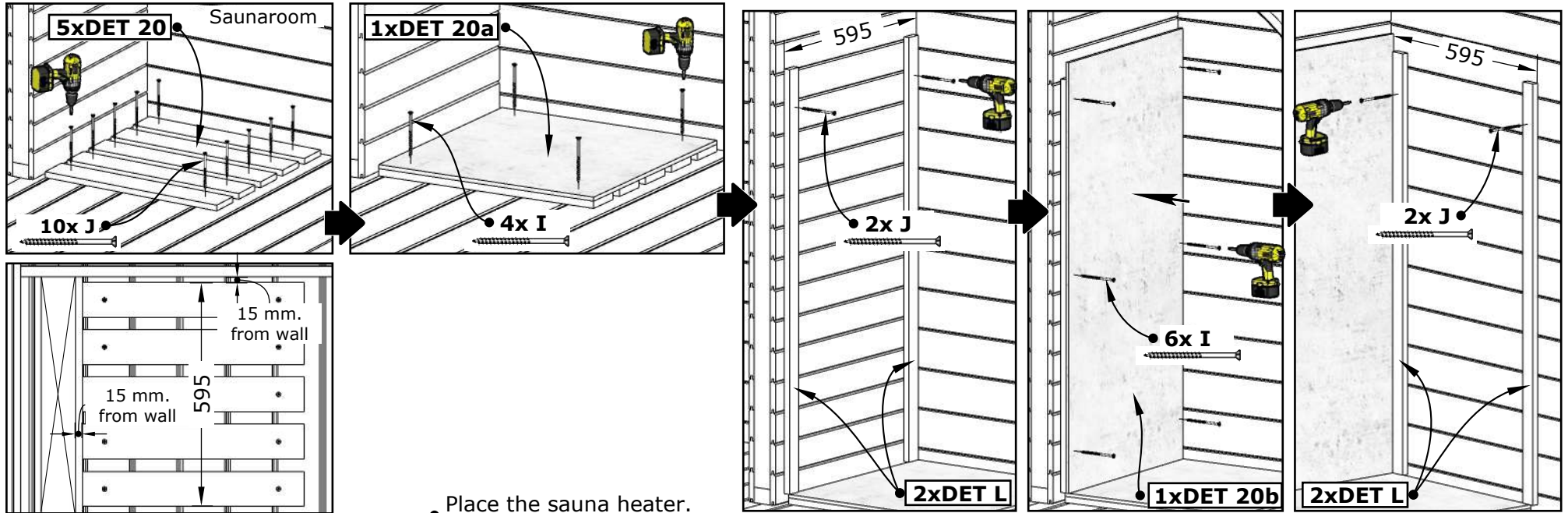
I



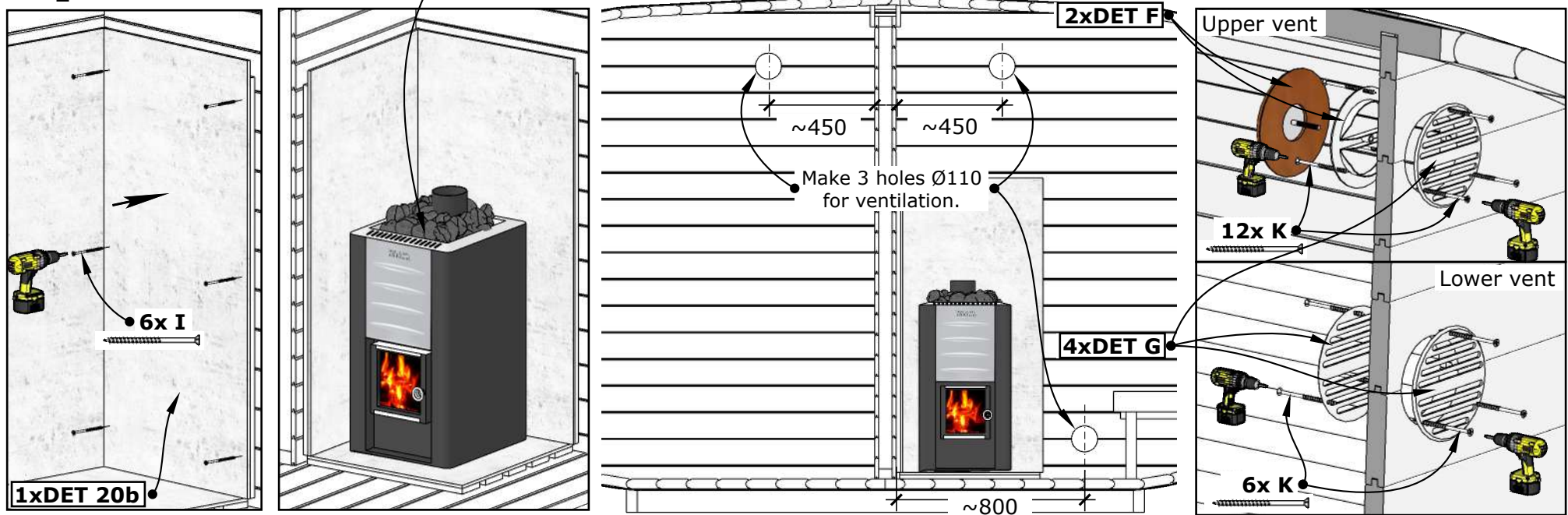
11. II

(OV-001)

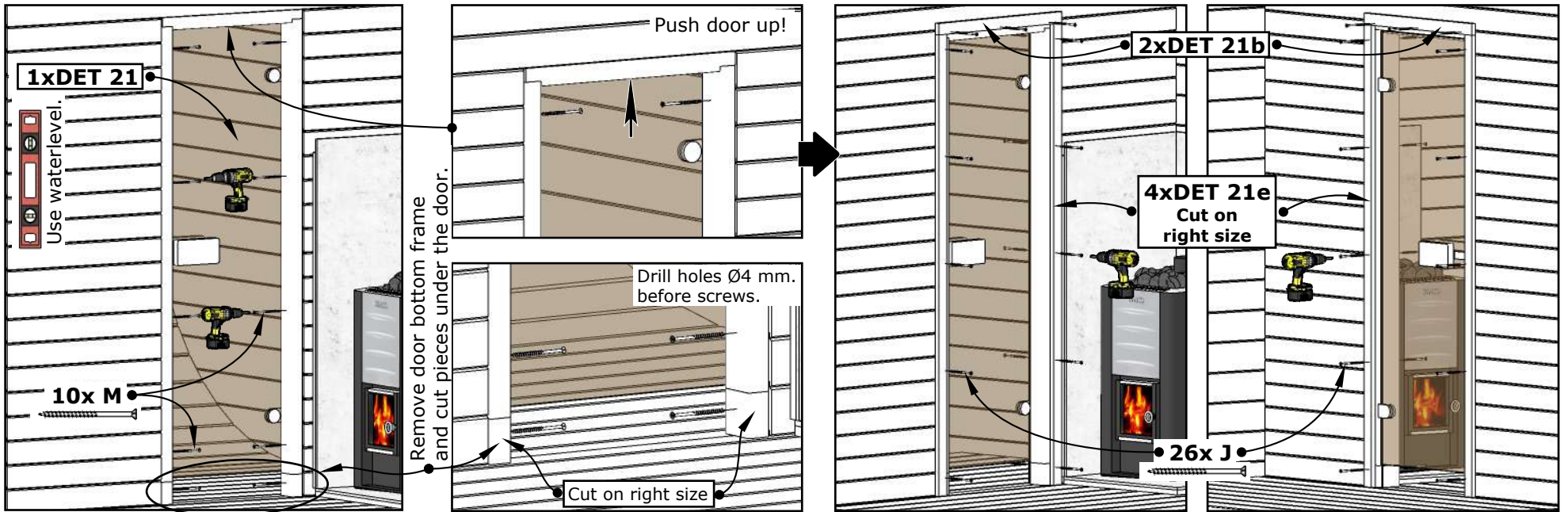
Sauna Oval 4*2,4



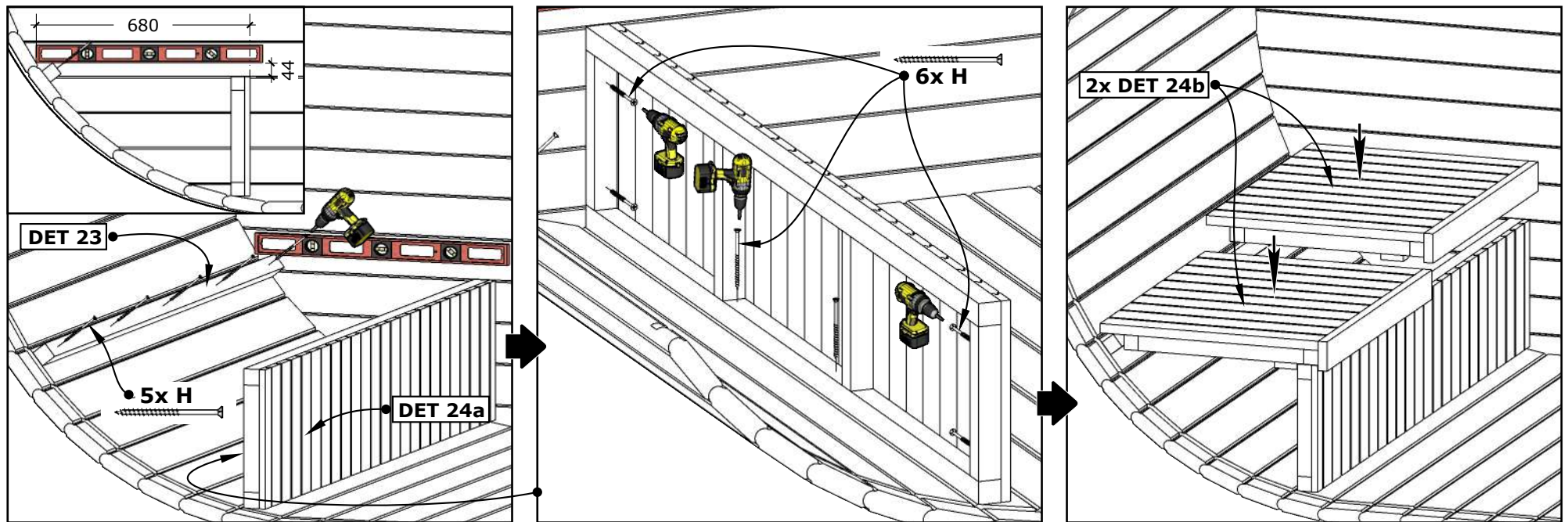
Place the sauna heater.
Check heater manual!



Sauna Oval 4*2,4



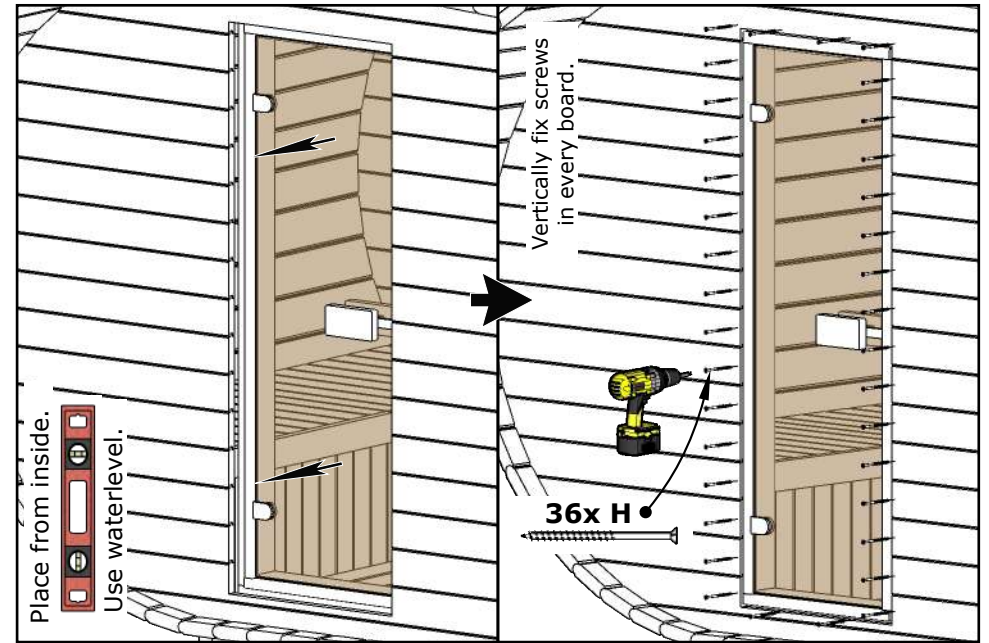
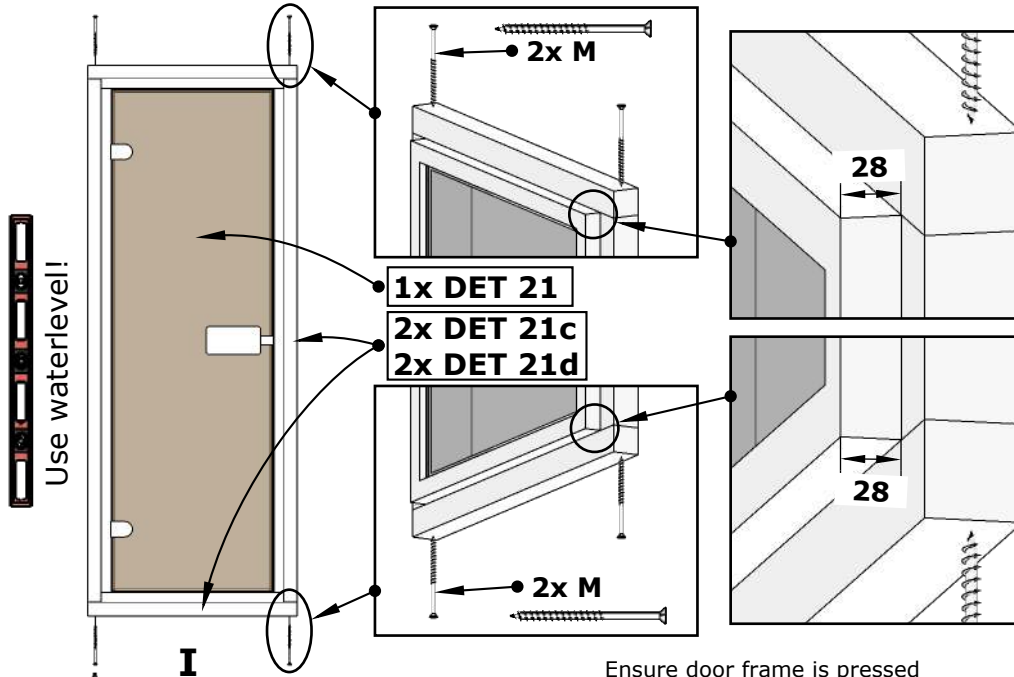
I



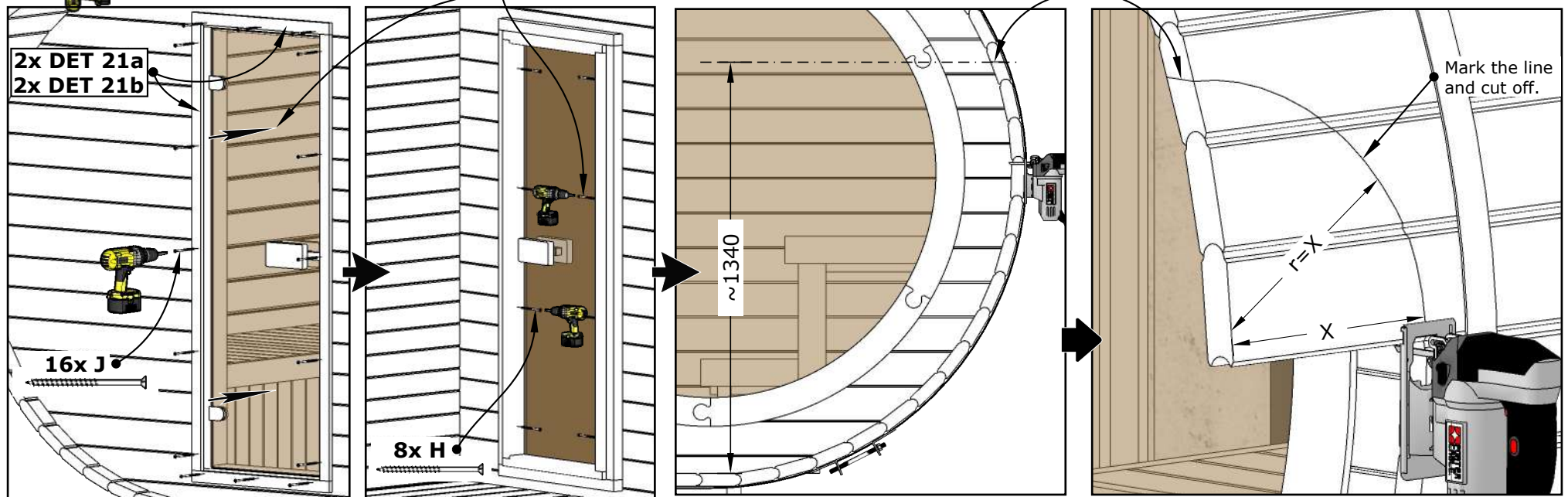
13. II

(OV-001)

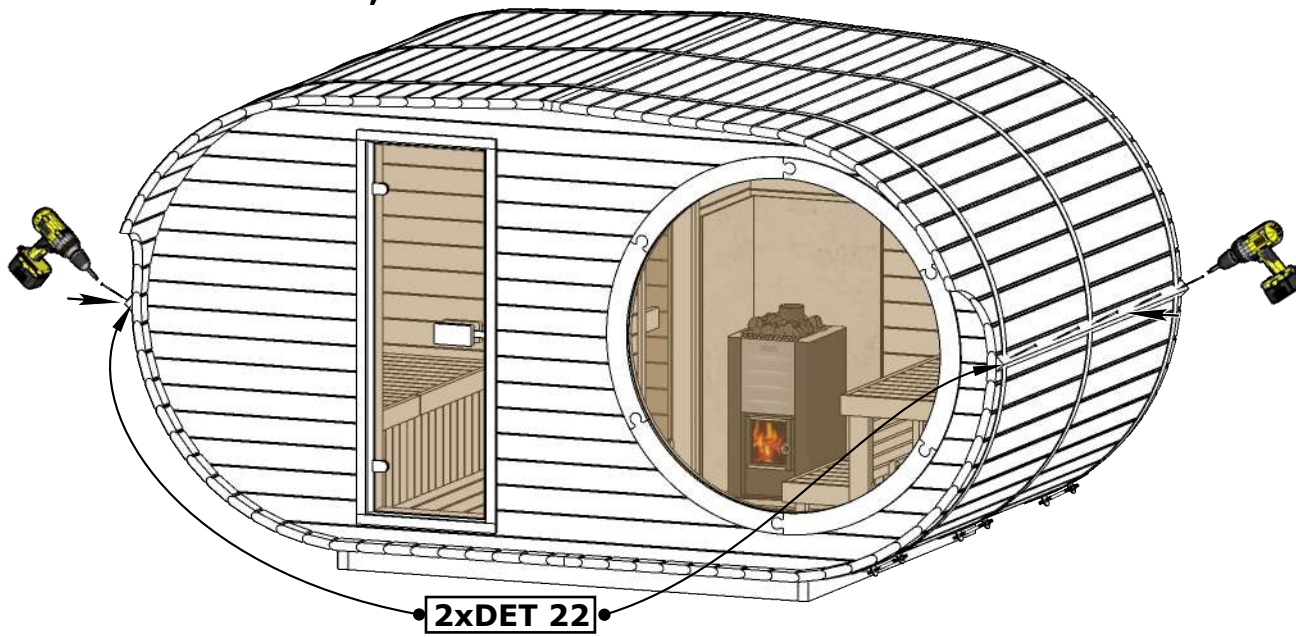
Sauna Oval 4*2,4



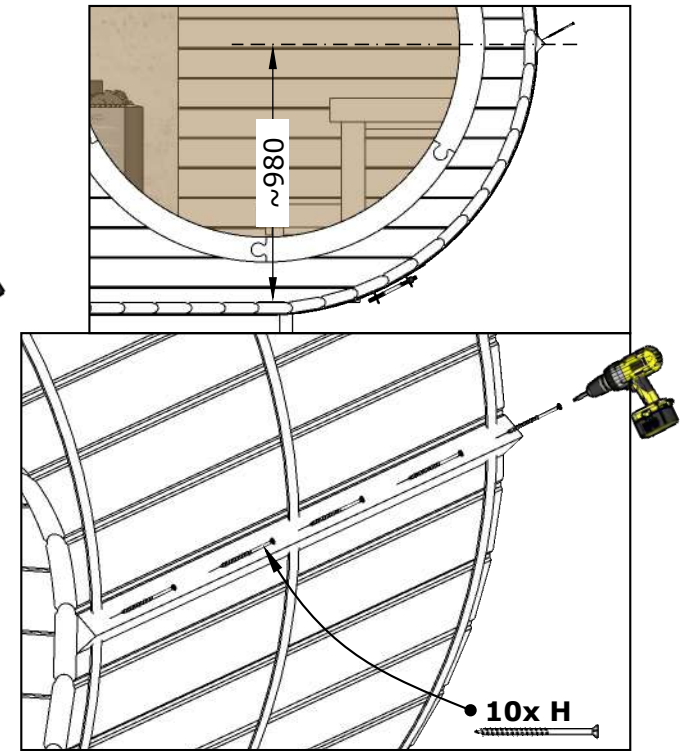
Ensure door frame is pressed tightly against the wall and fasten from inside



Sauna Oval 4*2,4

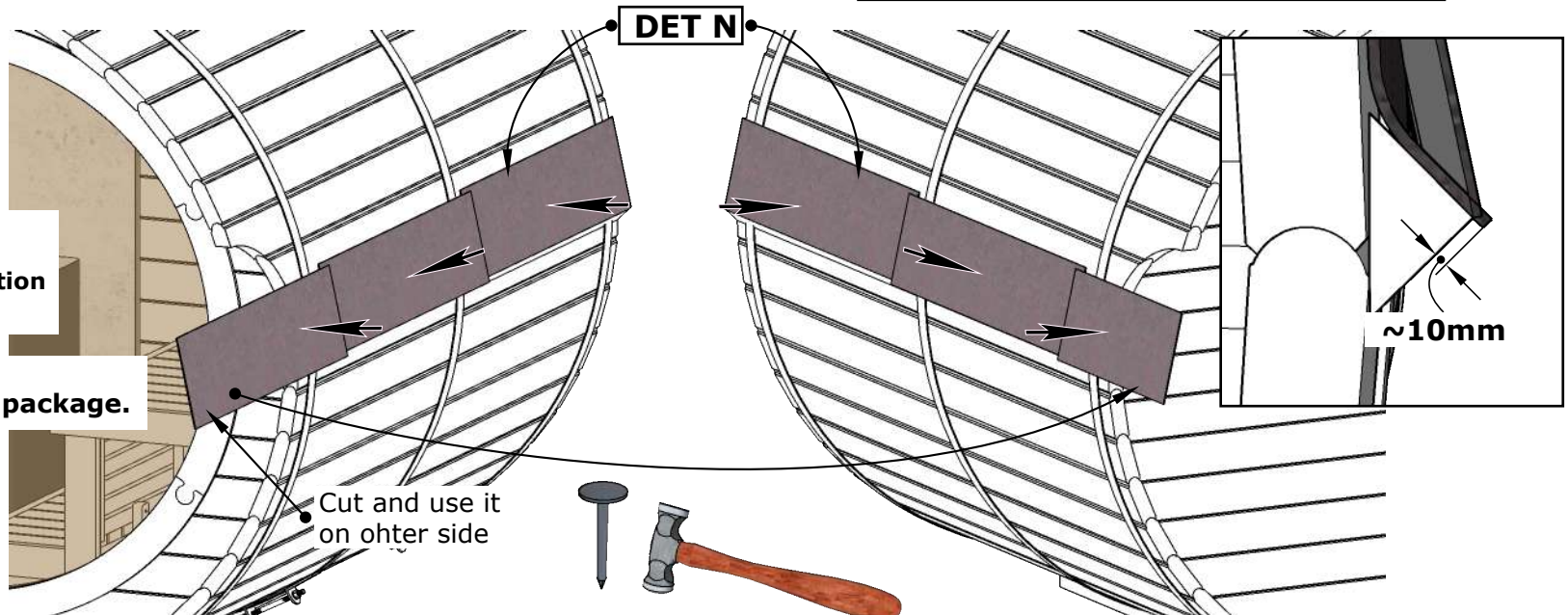


I



NB! Before roof shingles, install underlay felt. Check underlay felt installation manual on extra pages.

Check also roof shingles installation manual inside package.

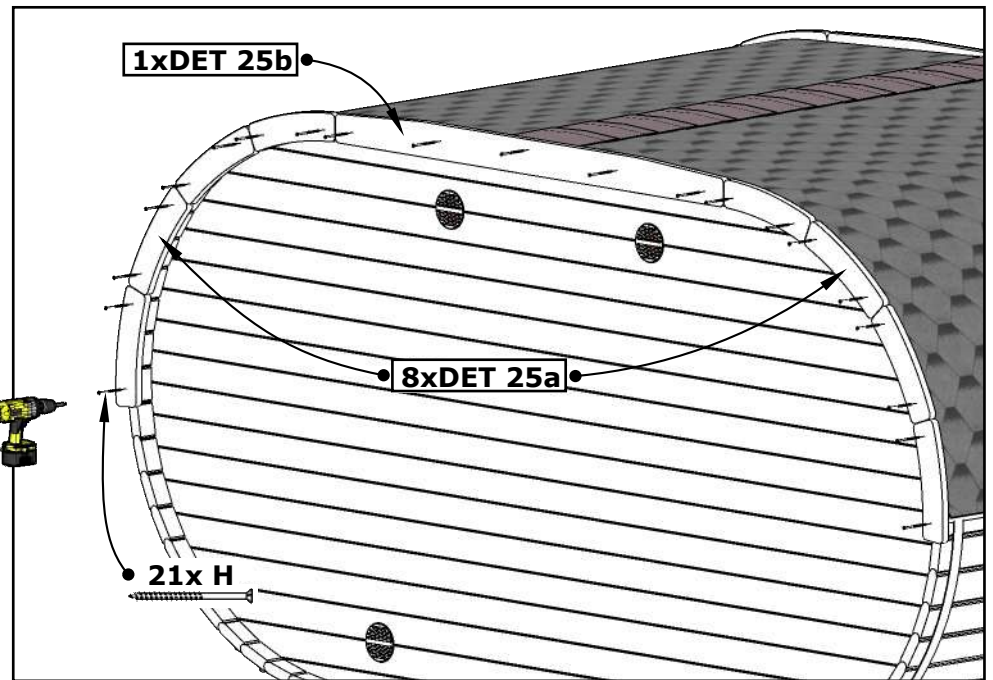
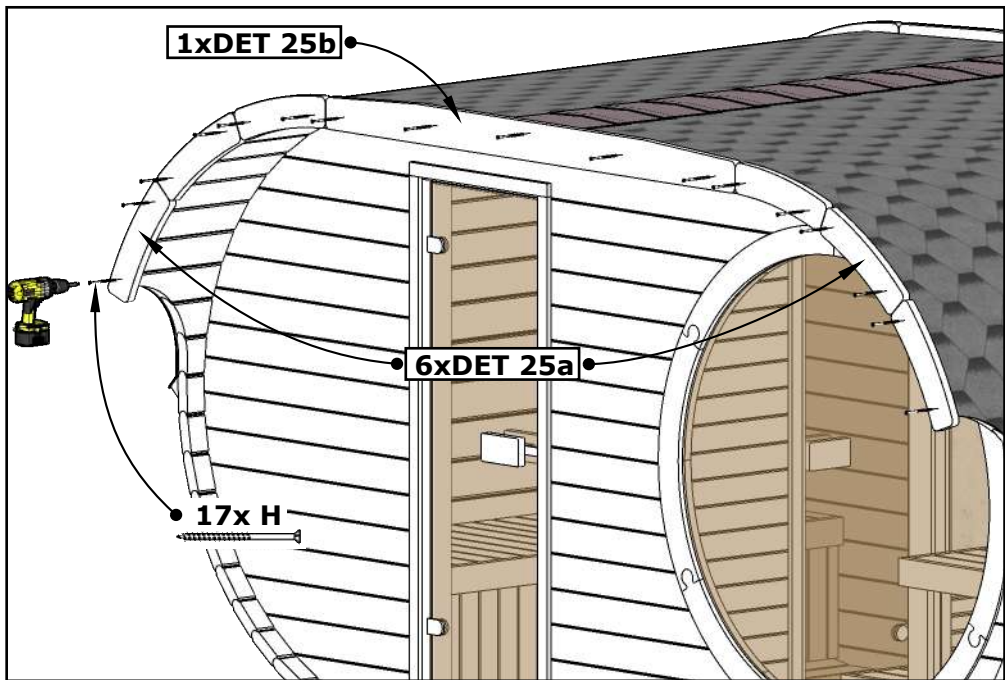
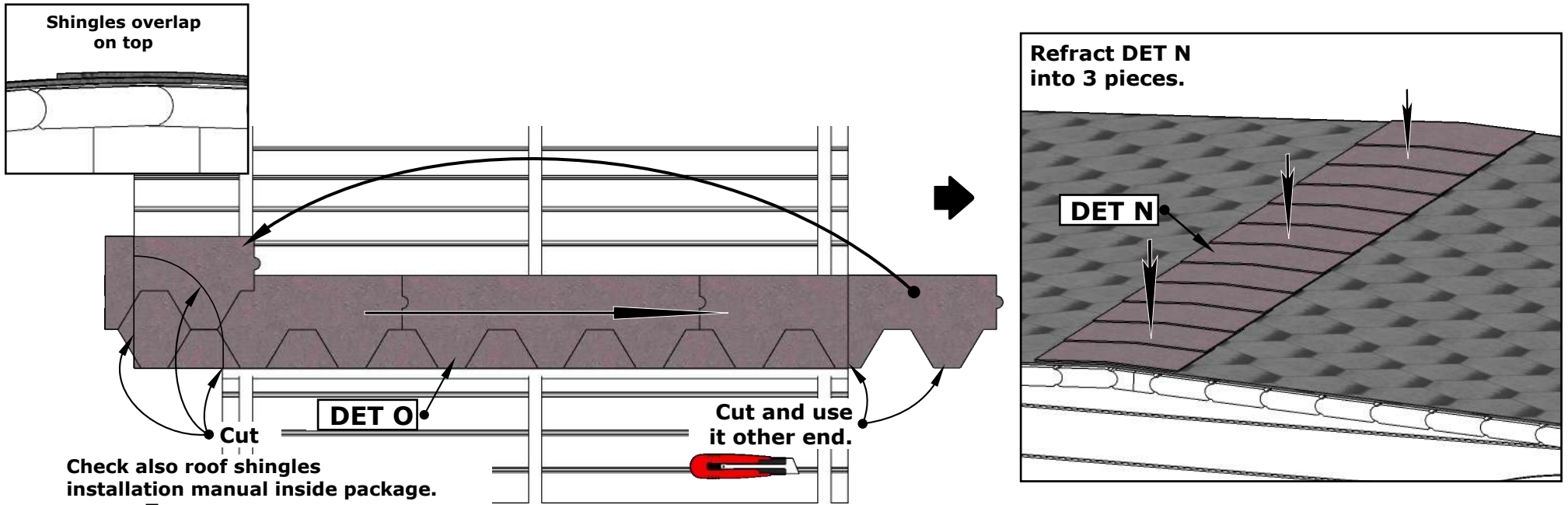


II

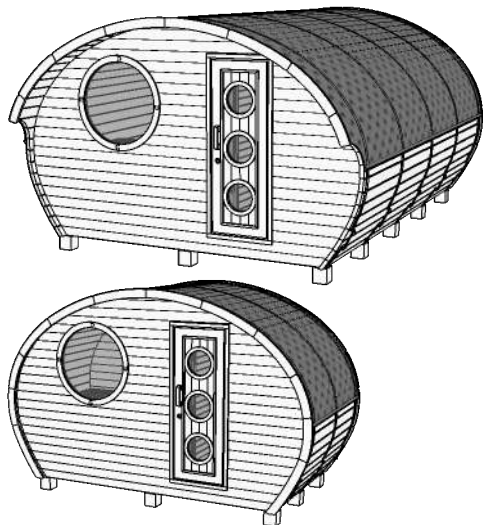
15.

(OV-001)

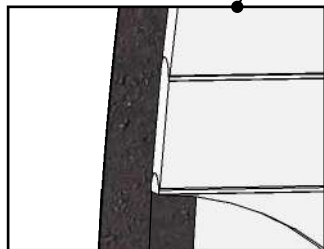
Sauna Oval 4*2,4



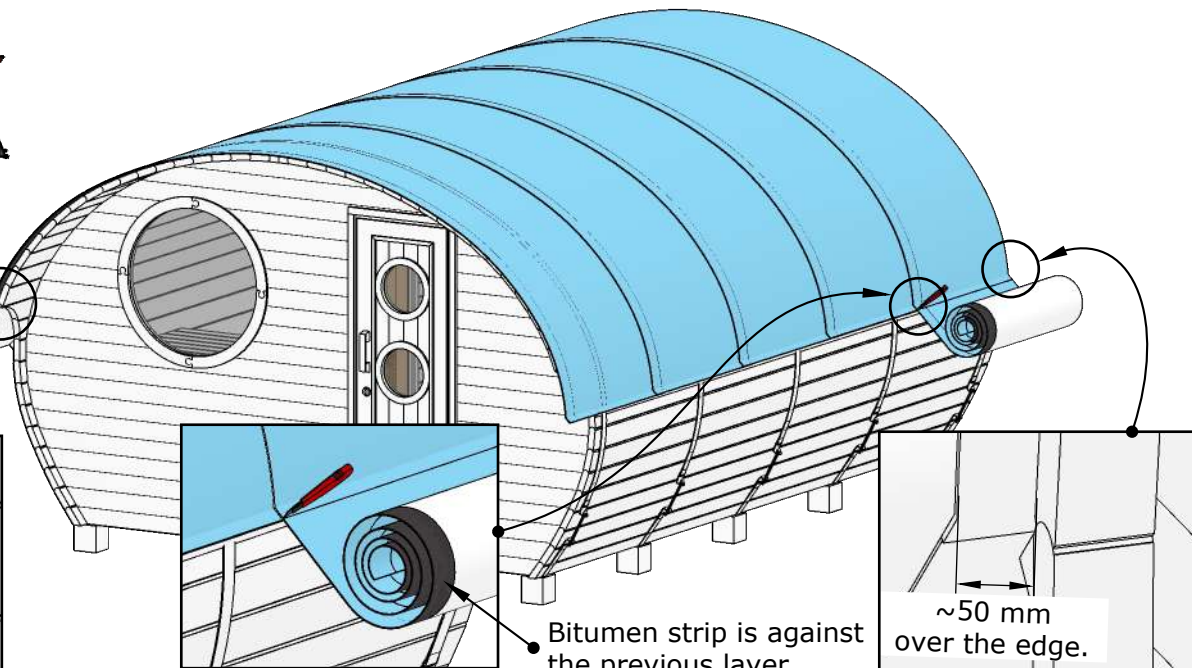
Underlay felt installation manual.



Check also underlay installation manual inside the package!

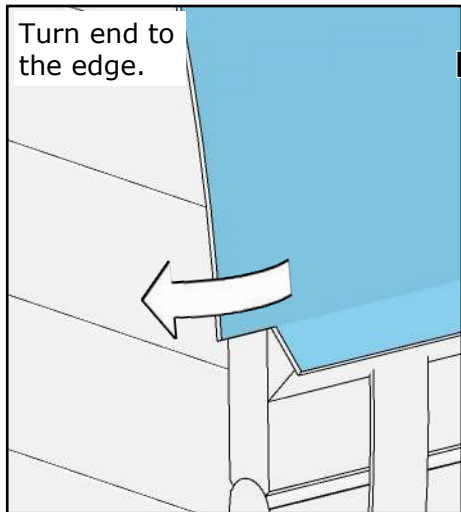


~50 mm over the edge.

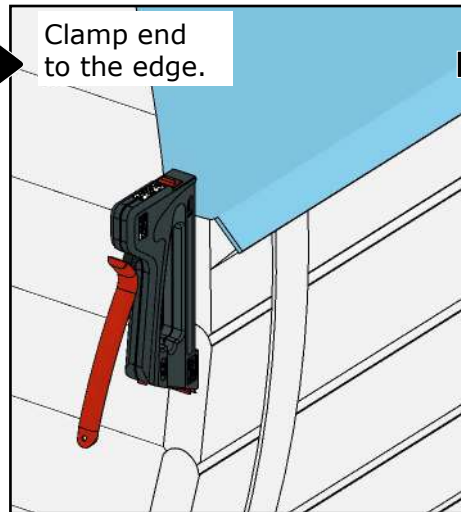


Bitumen strip is against the previous layer.

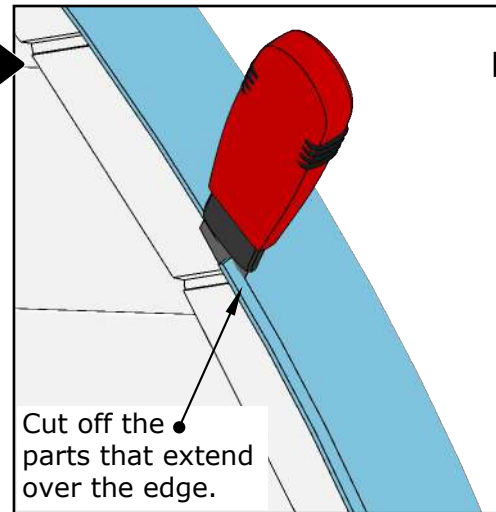
~50 mm over the edge.



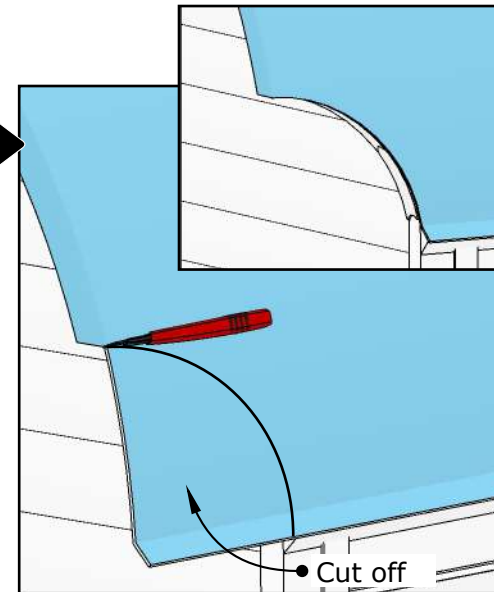
Turn end to the edge.



Clamp end to the edge.



Cut off the parts that extend over the edge.



• Cut off