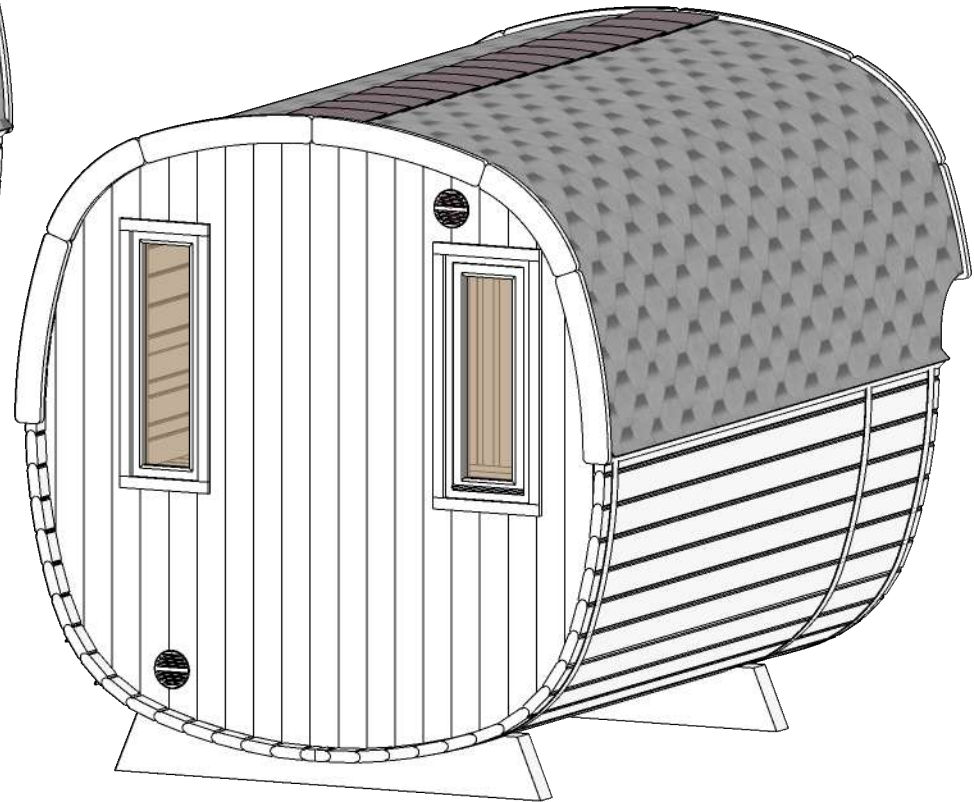
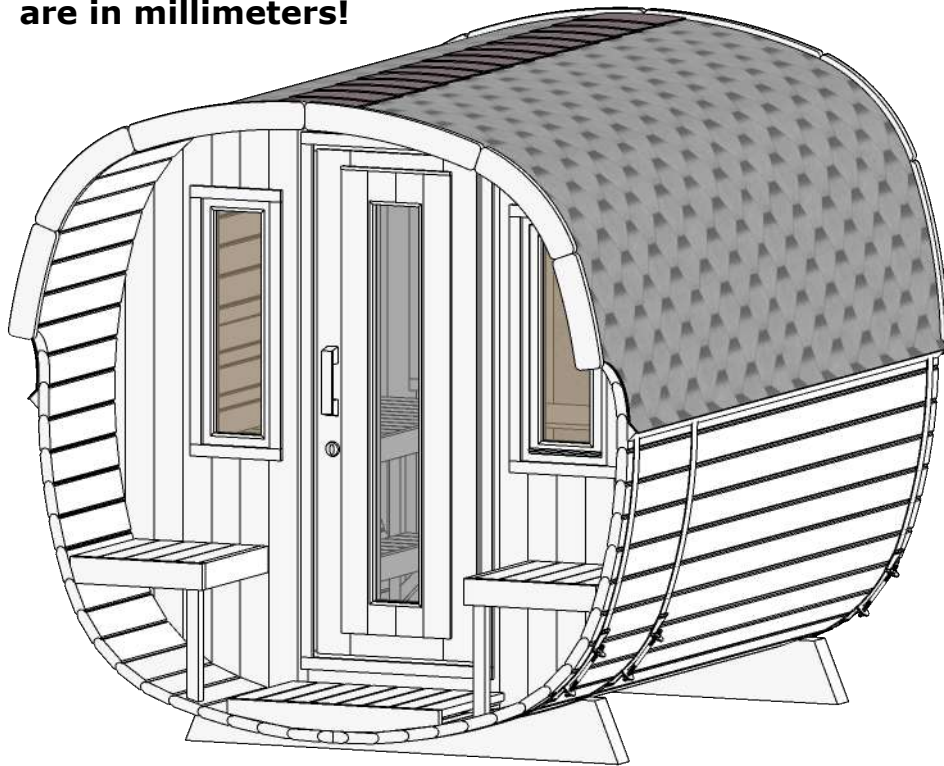


BUS Sauna 292, Ø226

**NB! Please read whole manual
before start.**

**All given measurements
are in millimeters!**

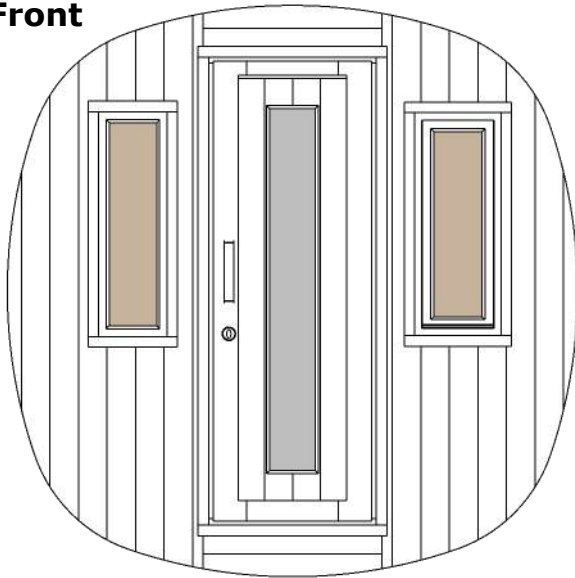


(BUS-226-PES-PTS-002)

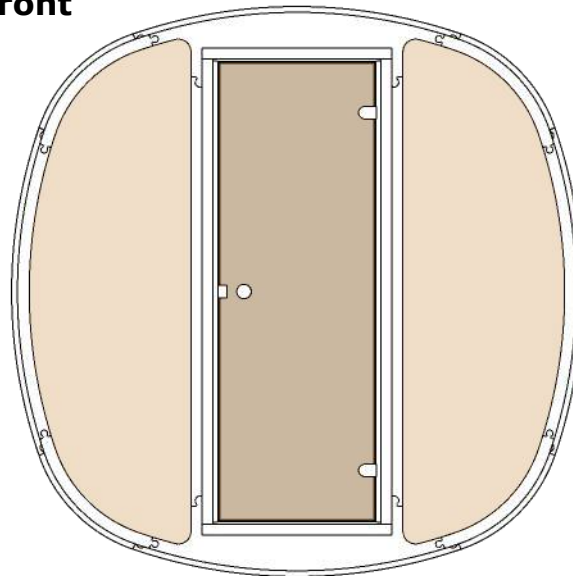
BUS Wall configuration.

Windows are optional!

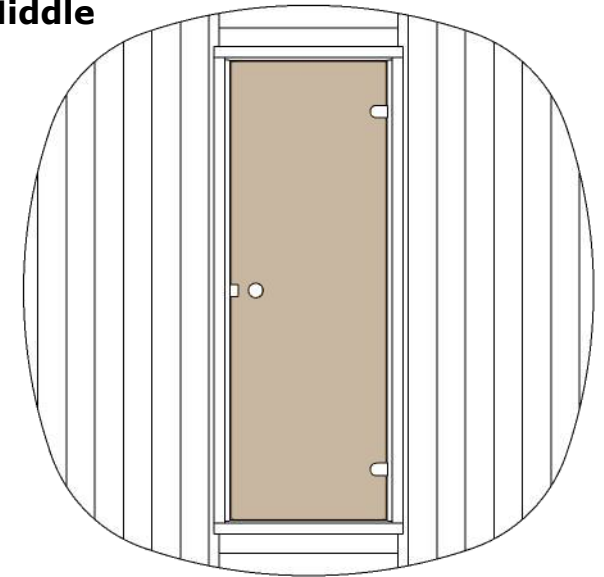
Front



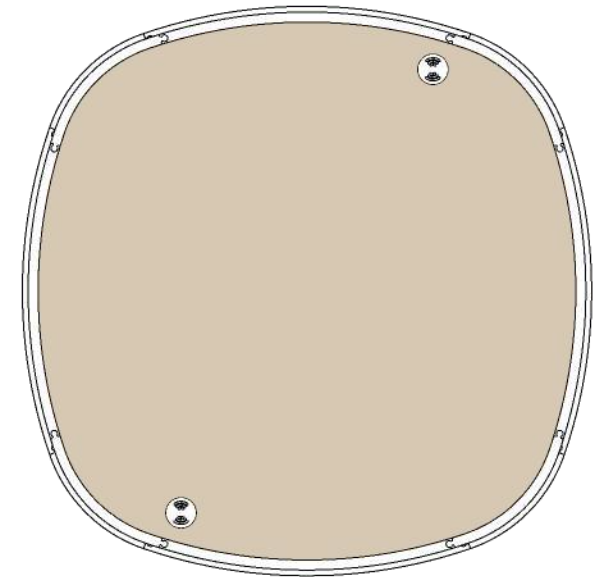
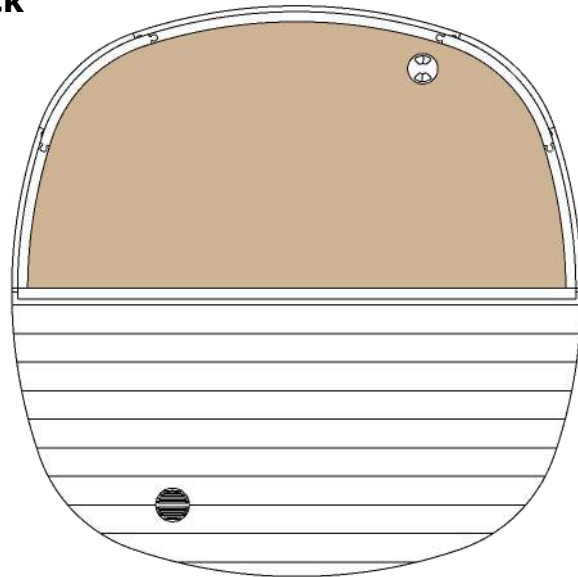
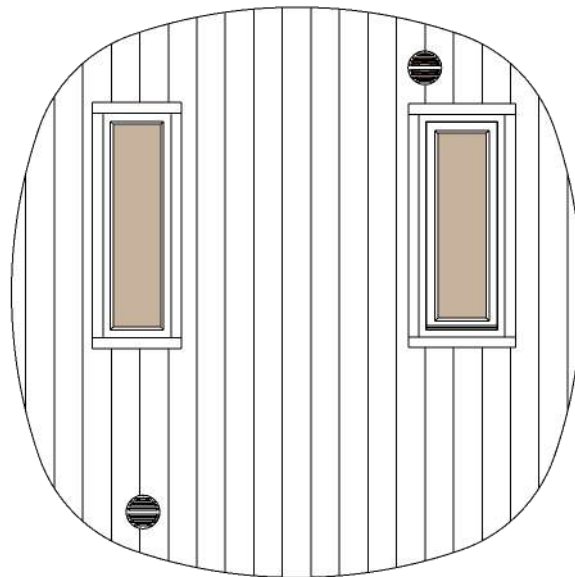
Front



Middle



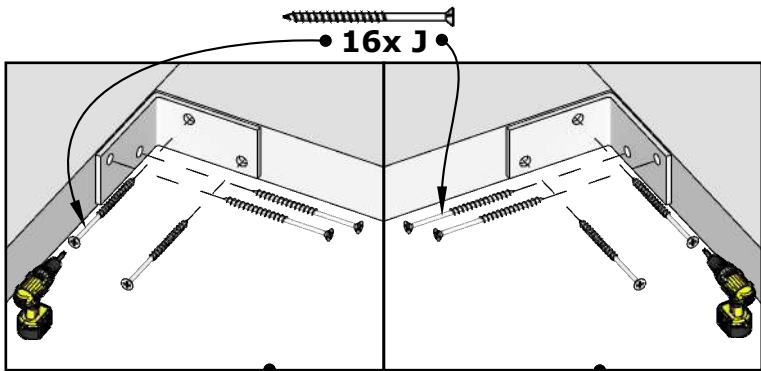
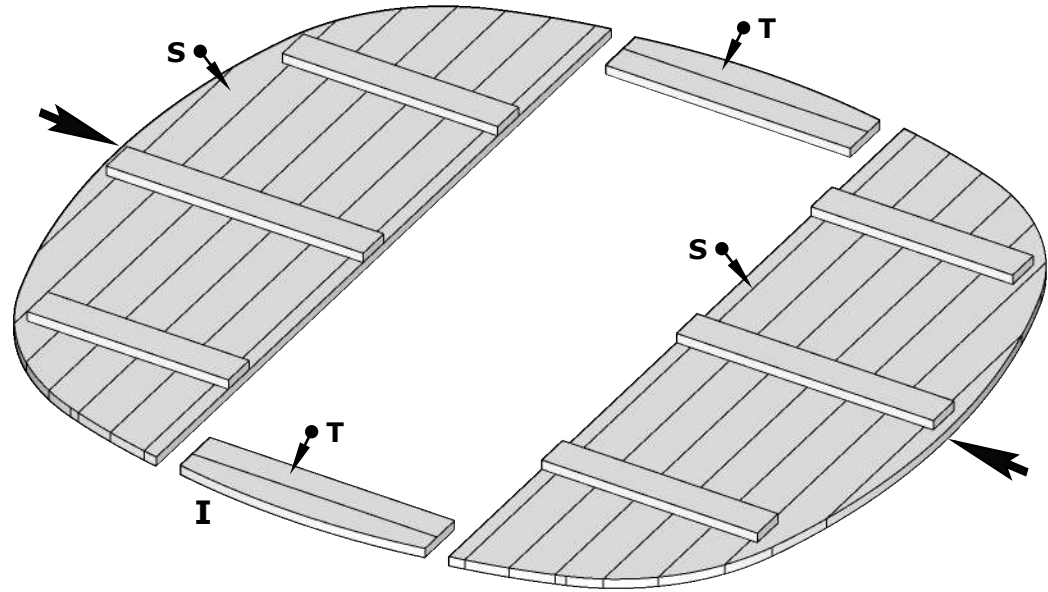
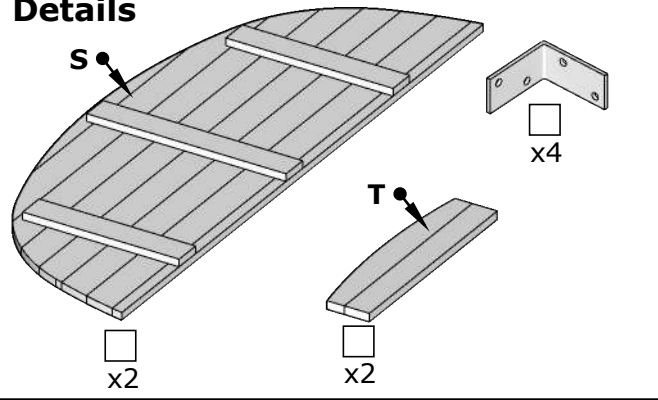
Back



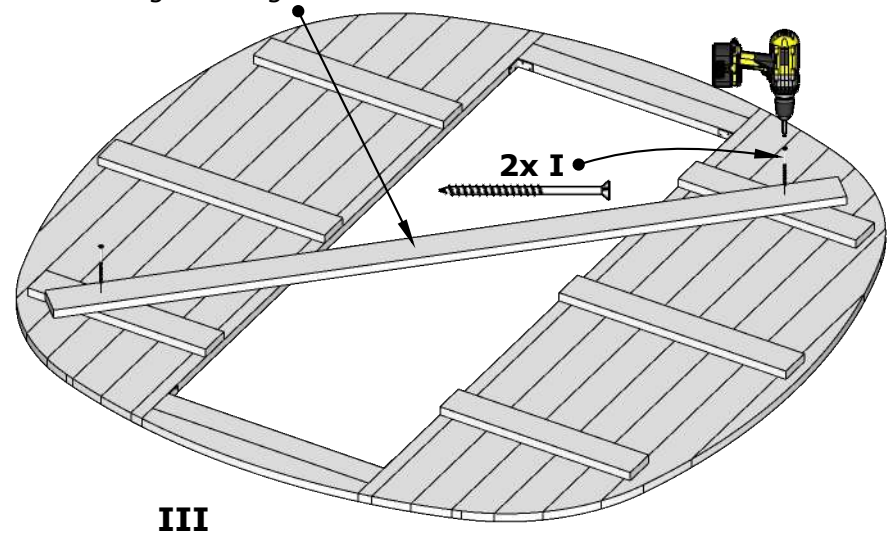
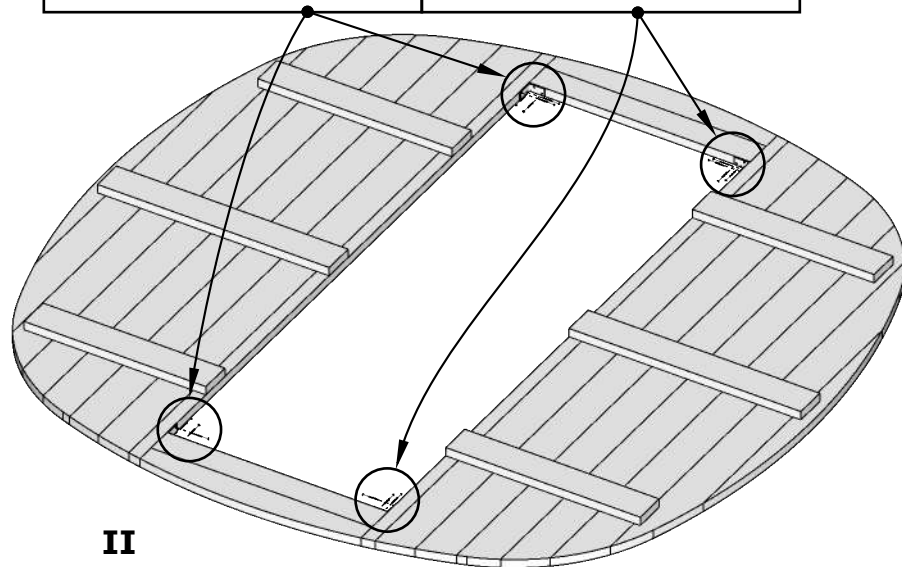
(BUS-226-PES-PTS-002)

BUS Wooden front wall assembly

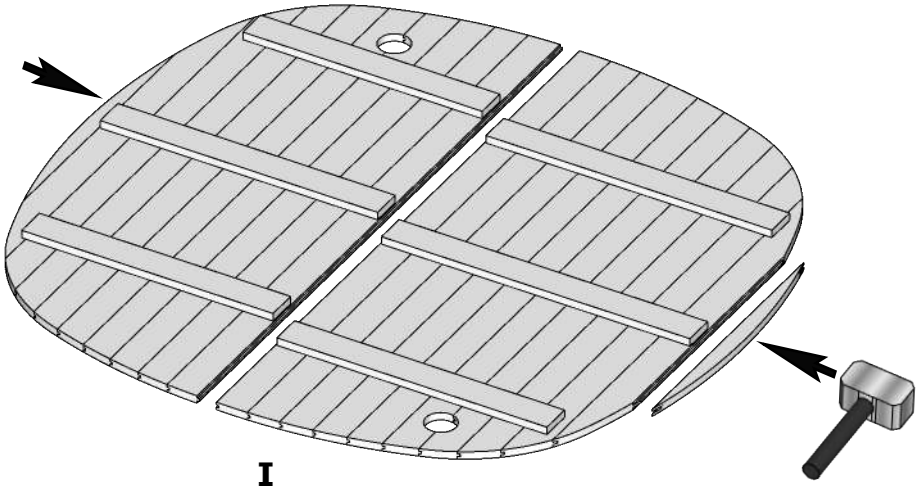
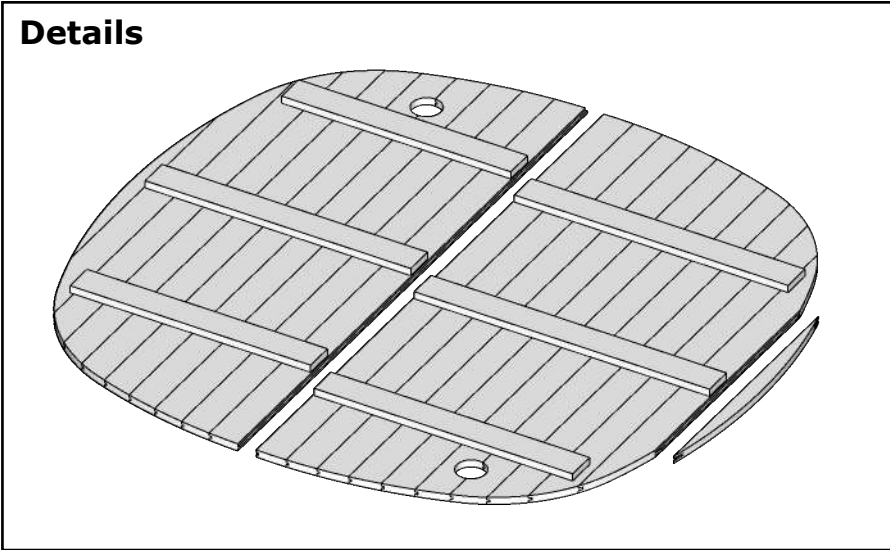
Details



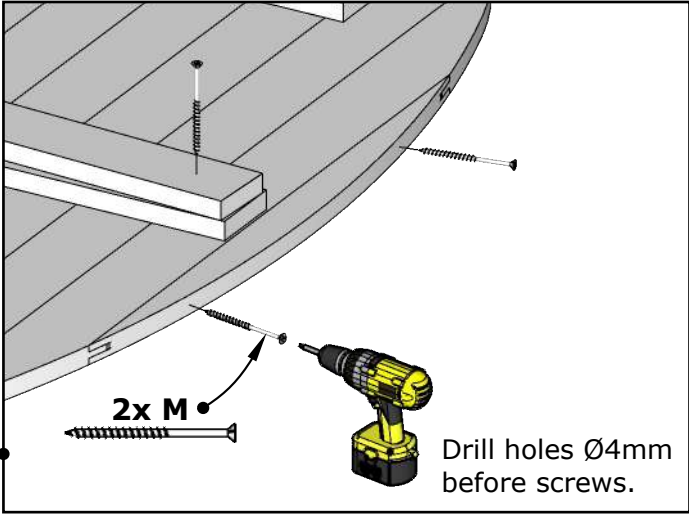
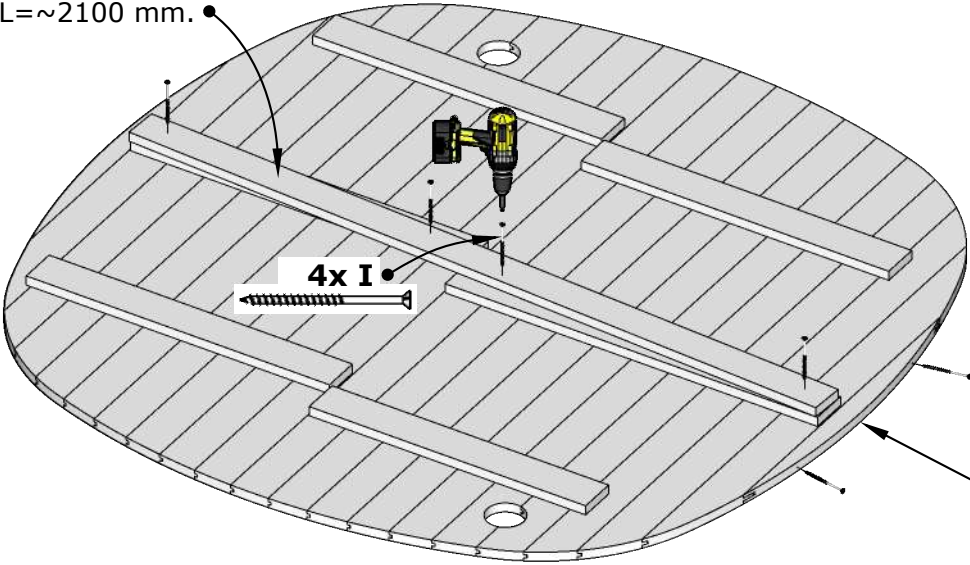
Cut board from pallet L= \sim 2300mm.
Fix it diagonally to make wall
more rigid during the installation.



BUS Wooden back wall assembly



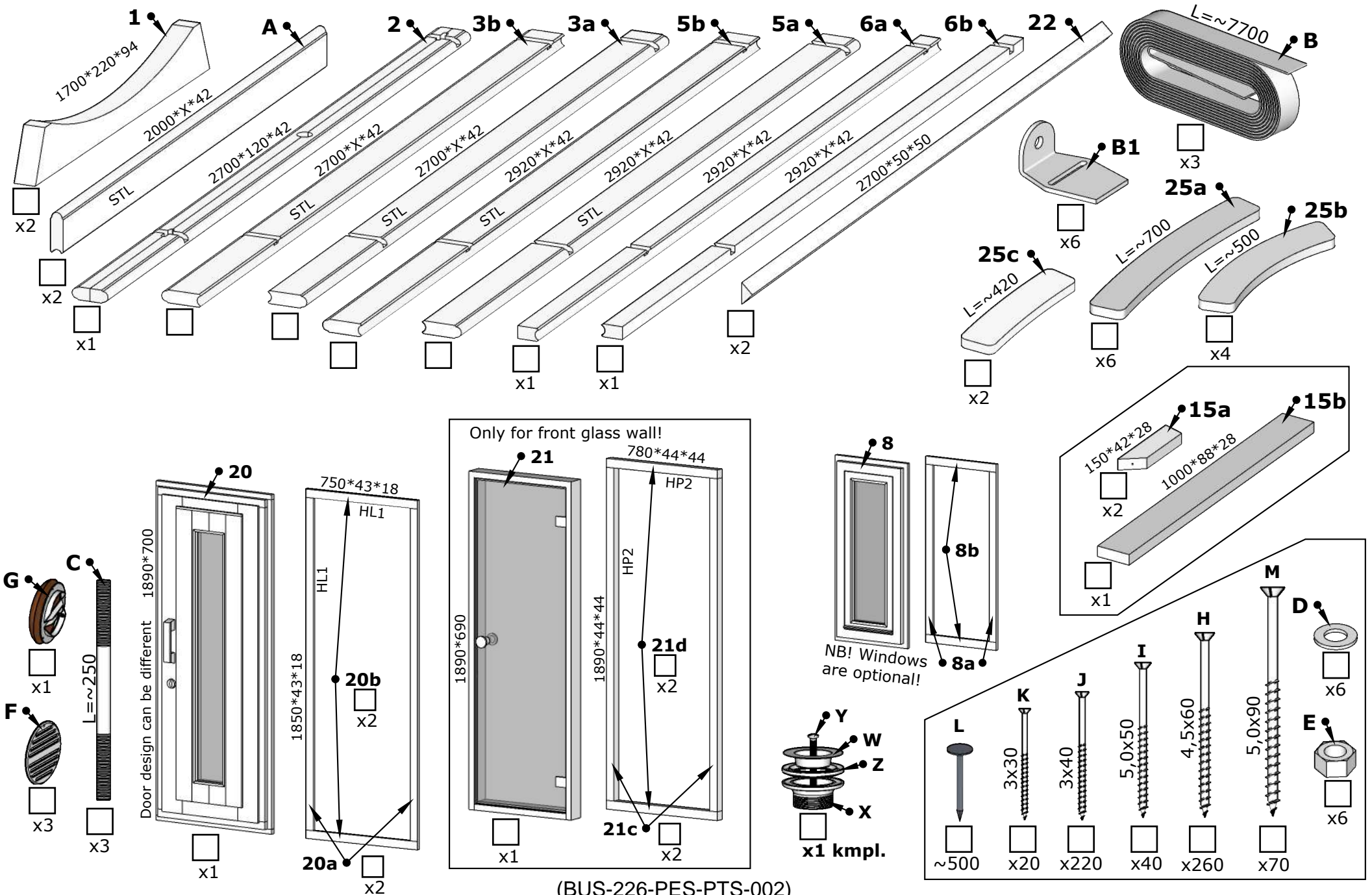
Cut board from pallet
L≈2100 mm.



II

BUS Sauna 292, Ø226

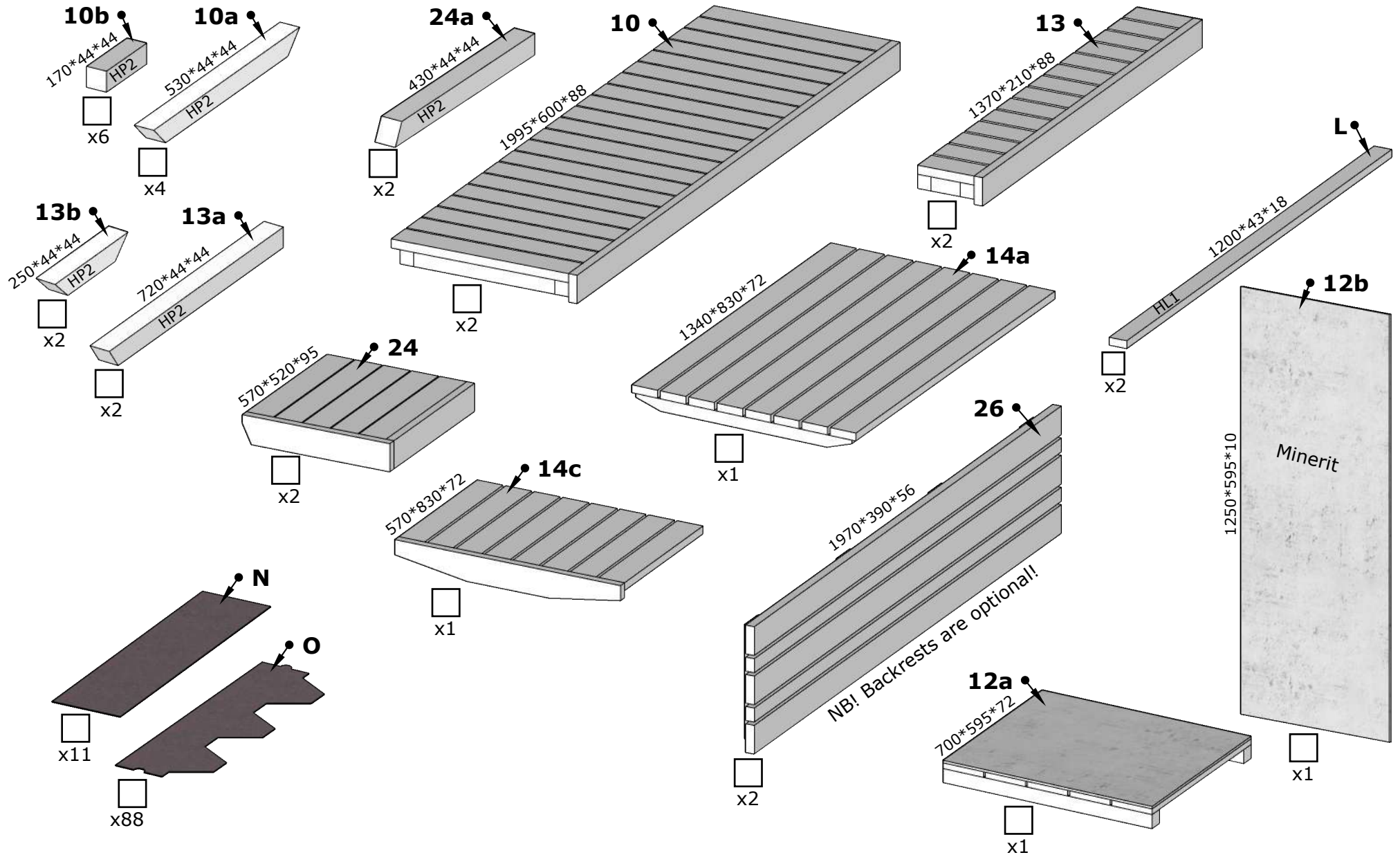
Details list.1



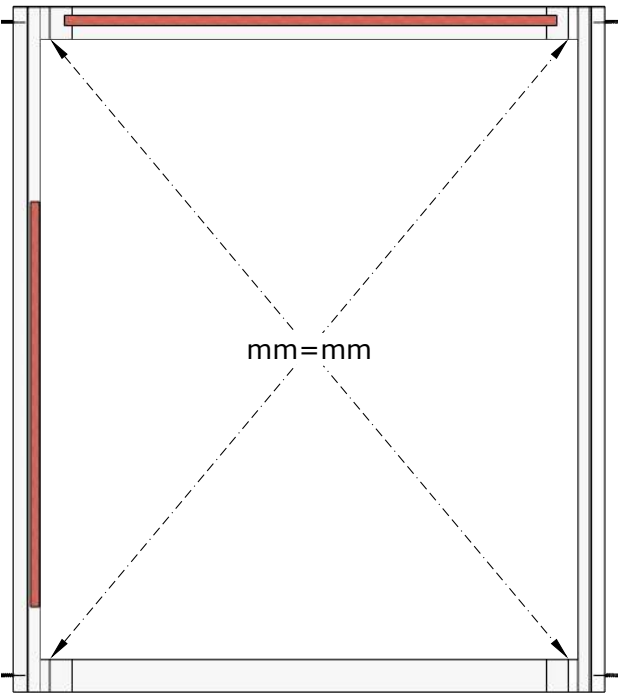
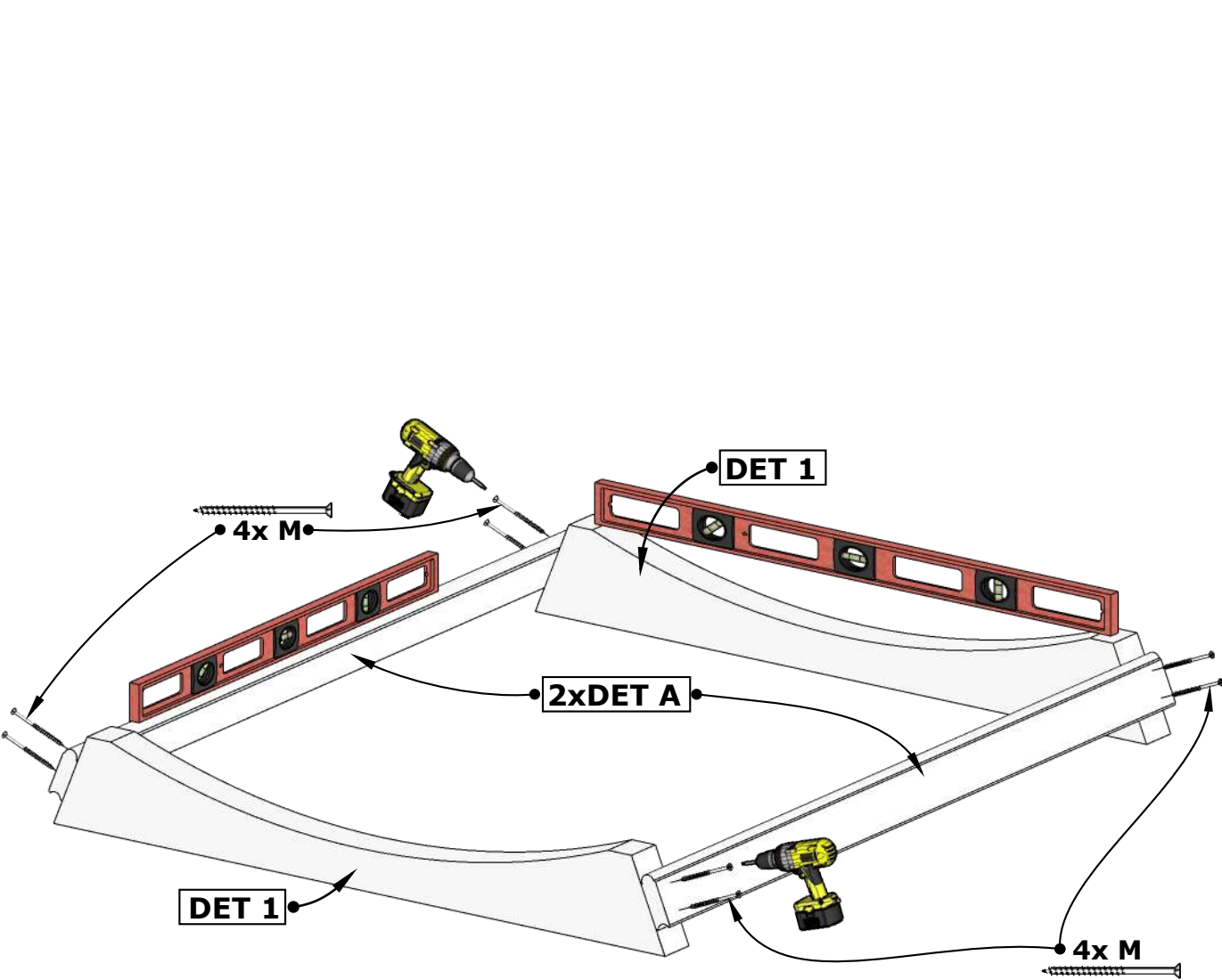
(BUS-226-PES-PTS-002)

BUS Sauna 292, Ø226

Details list.2



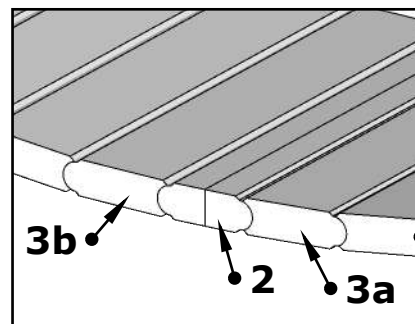
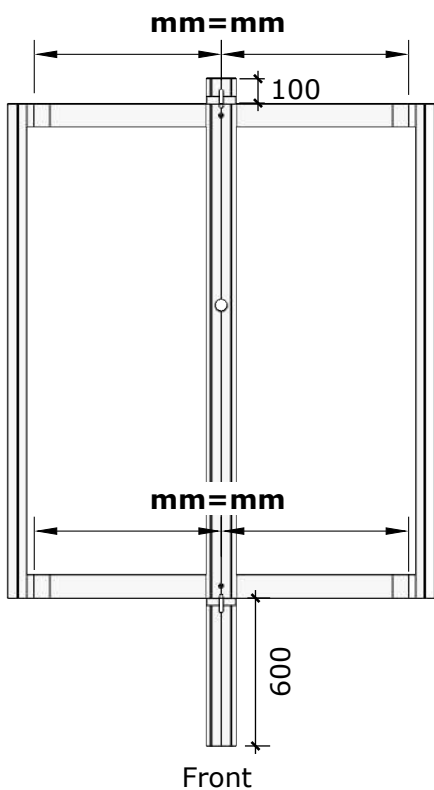
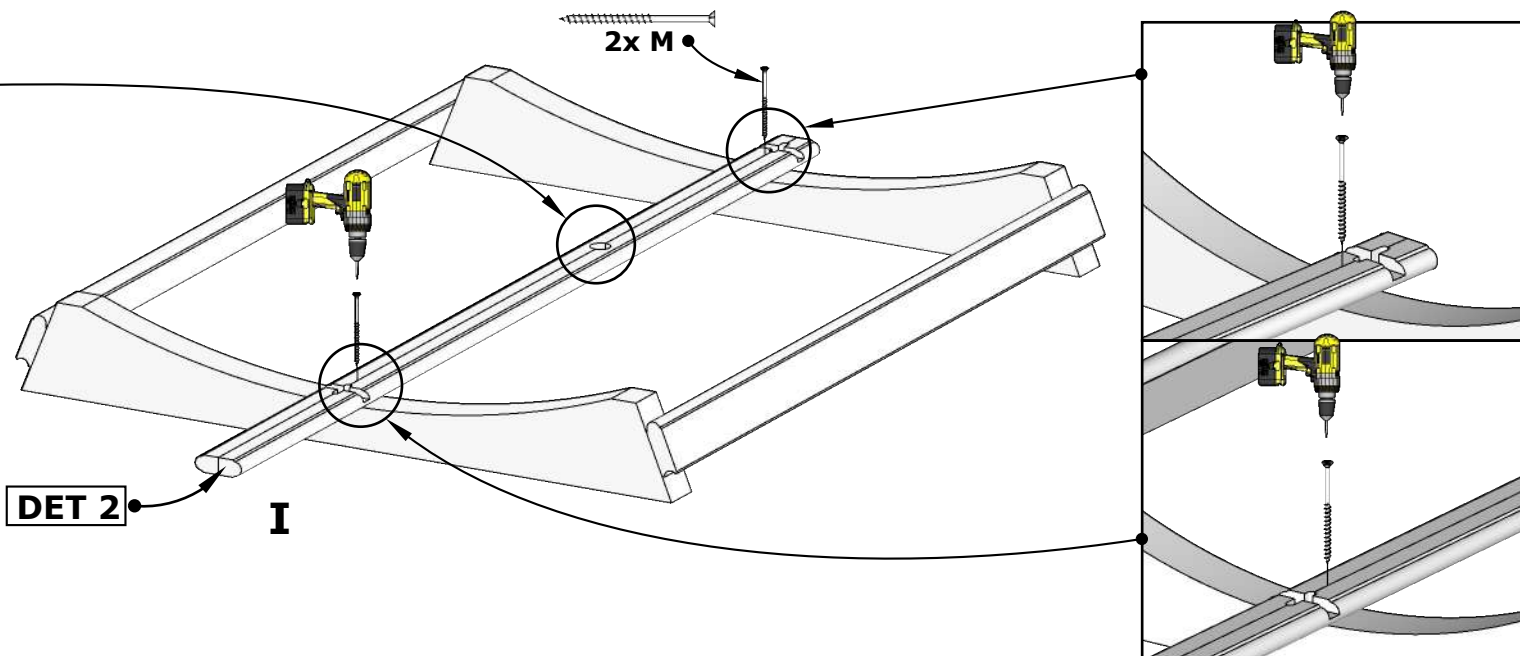
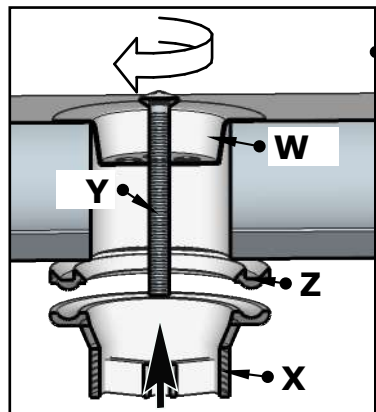
BUS Sauna 292, Ø226



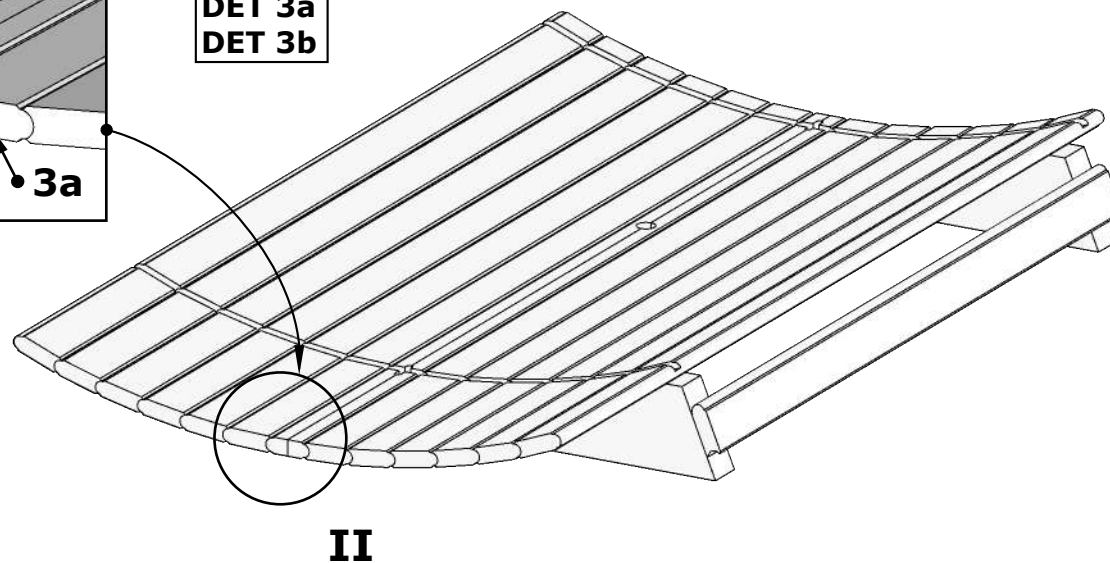
1.

(BUS-226-PES-PTS-002)

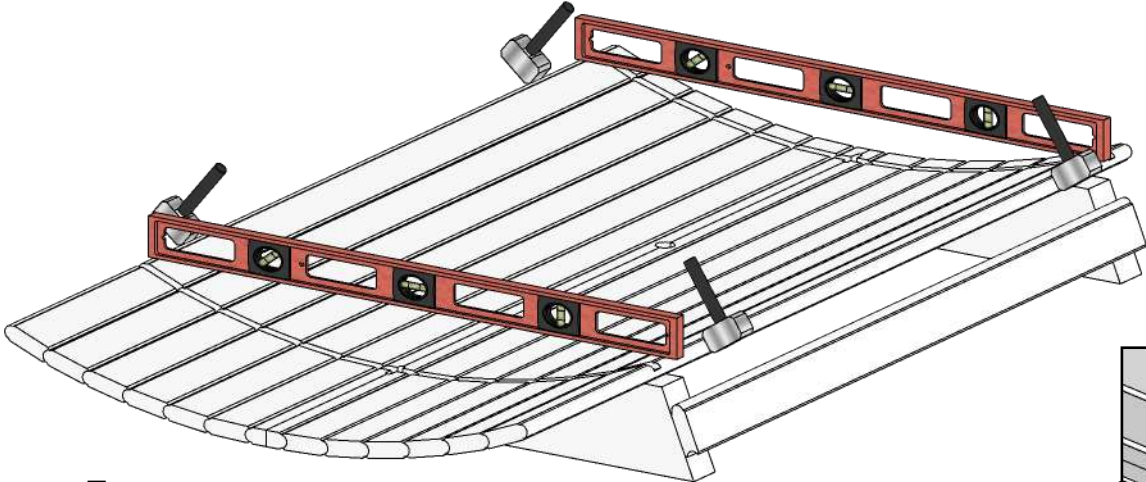
BUS Sauna 292, Ø226



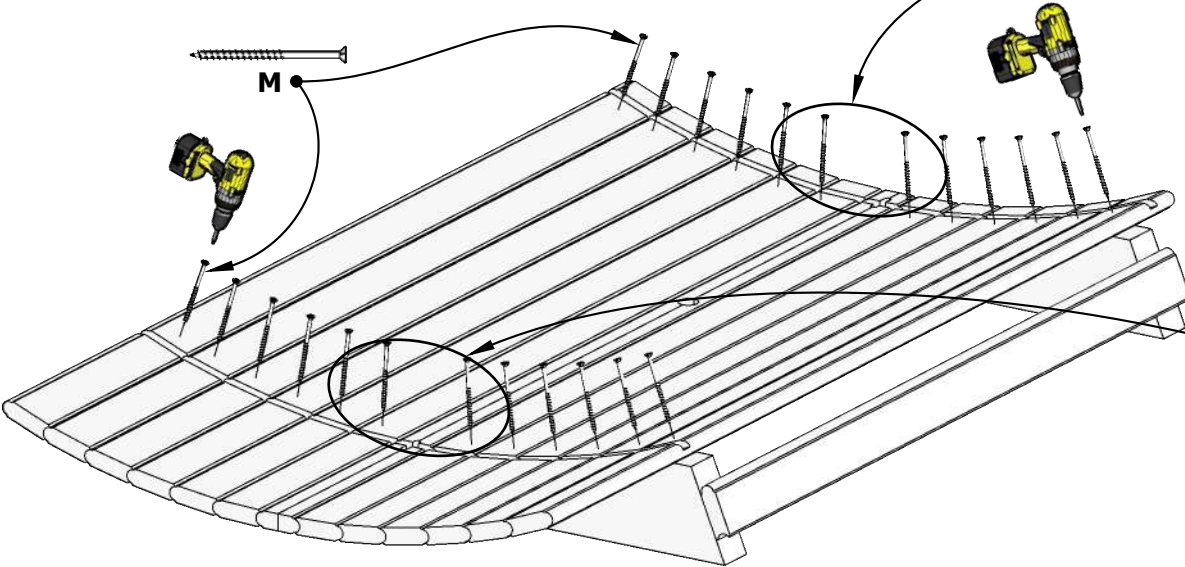
DET 3a
DET 3b



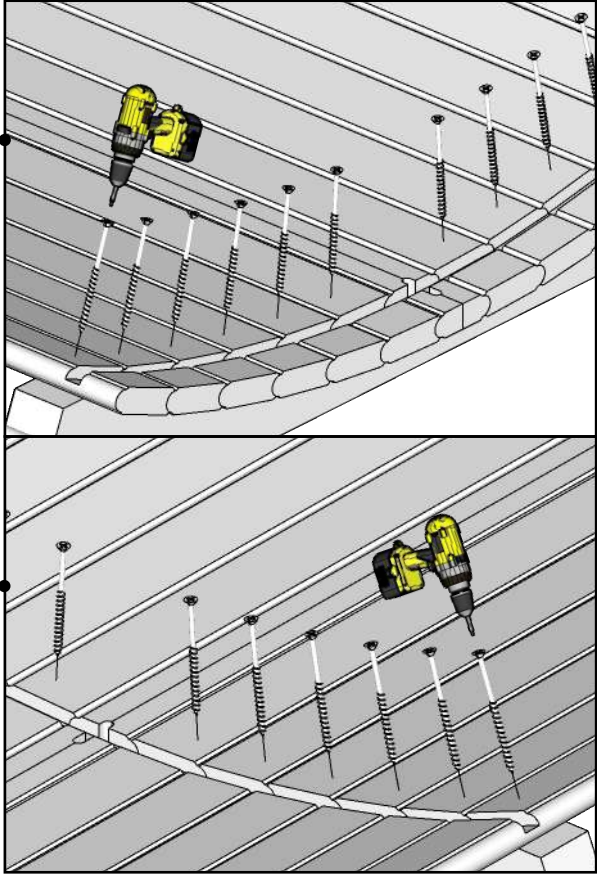
BUS Sauna 292, Ø226



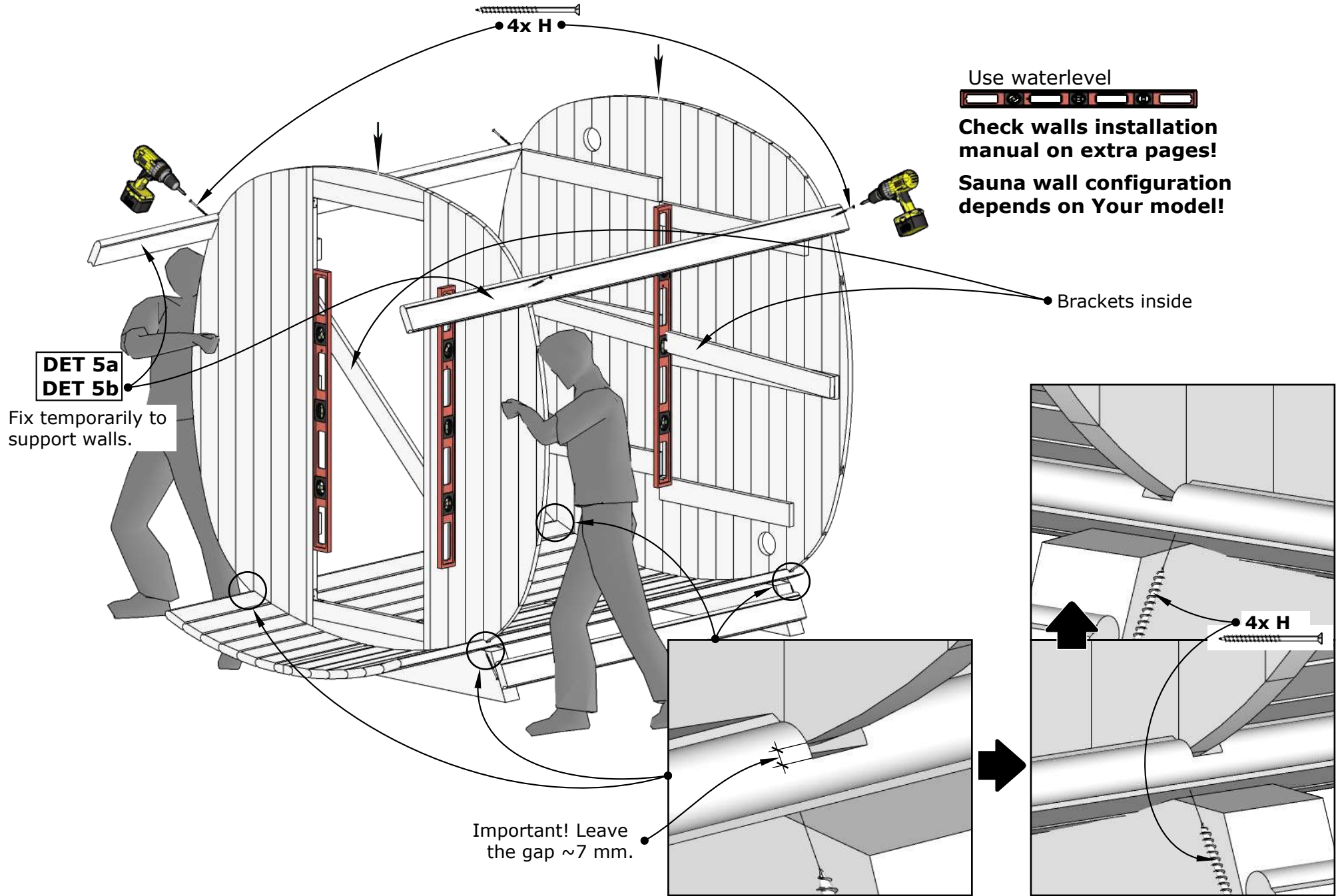
I



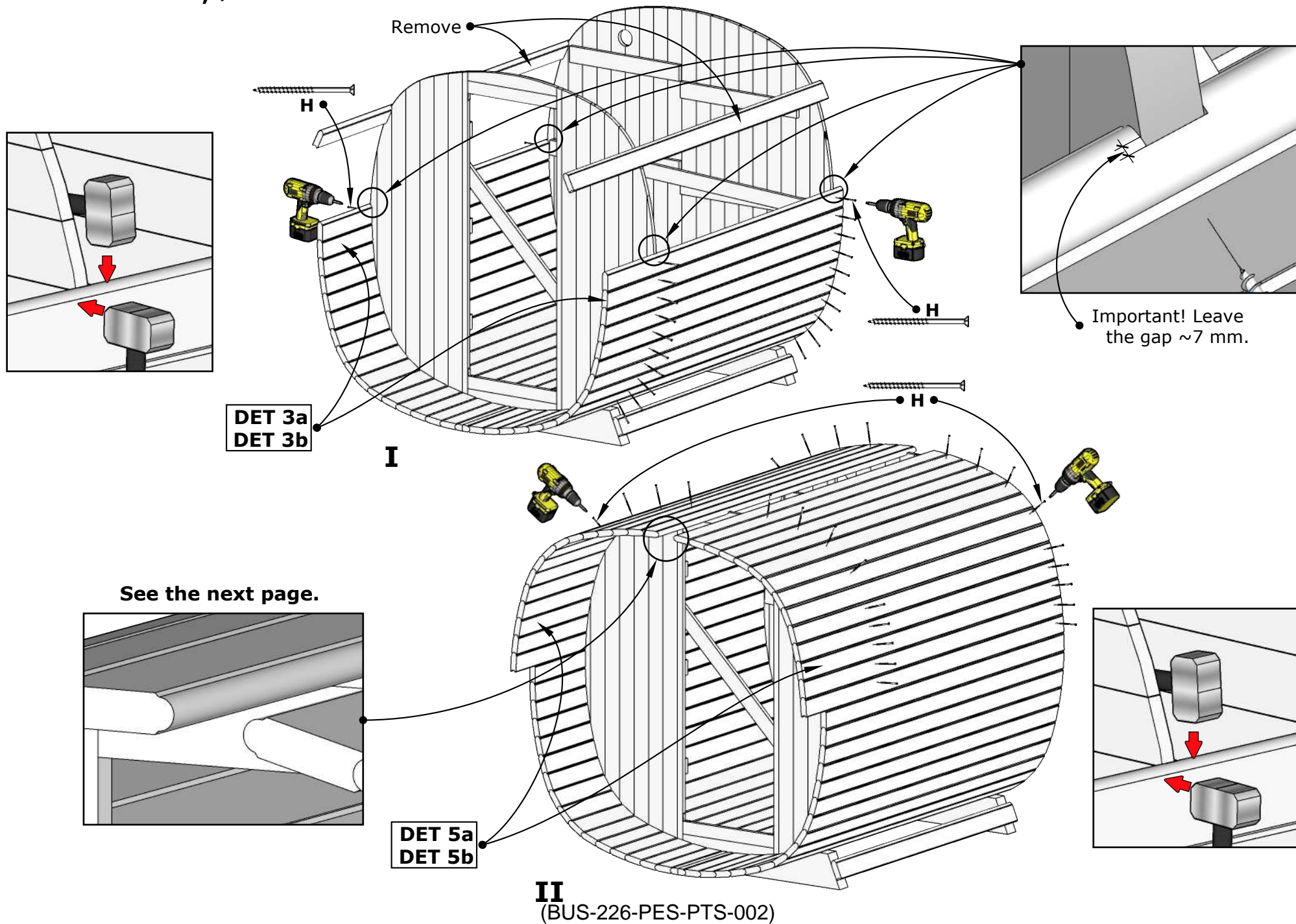
II



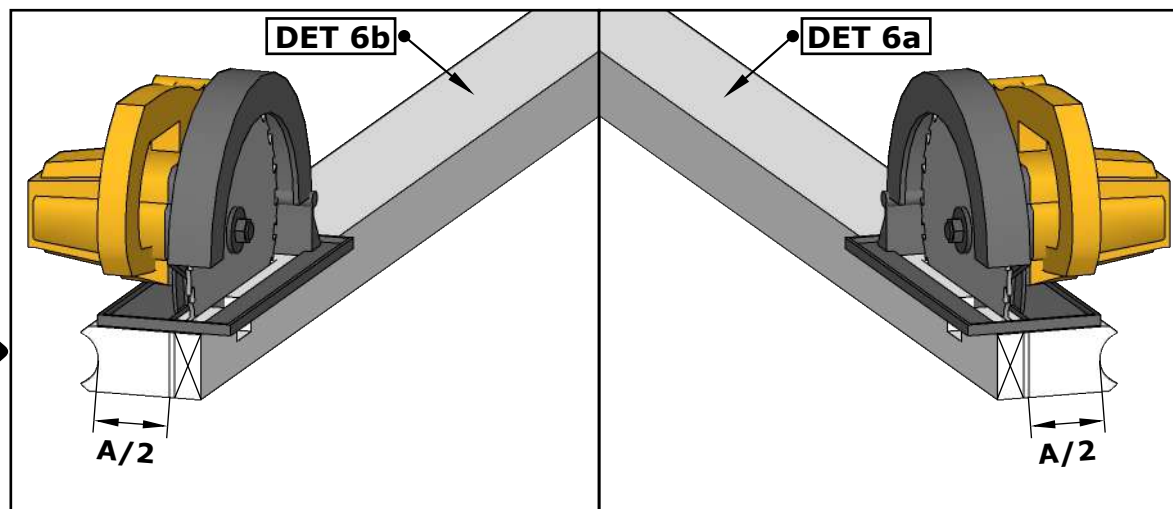
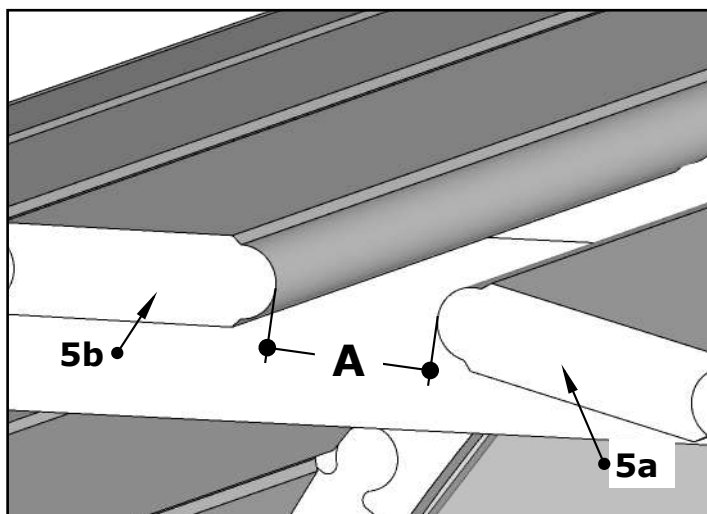
BUS Sauna 292, Ø226



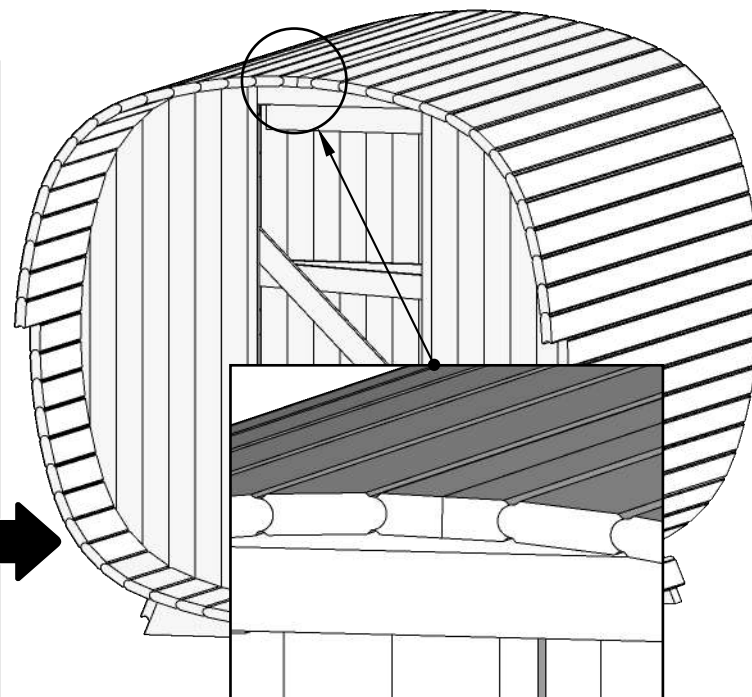
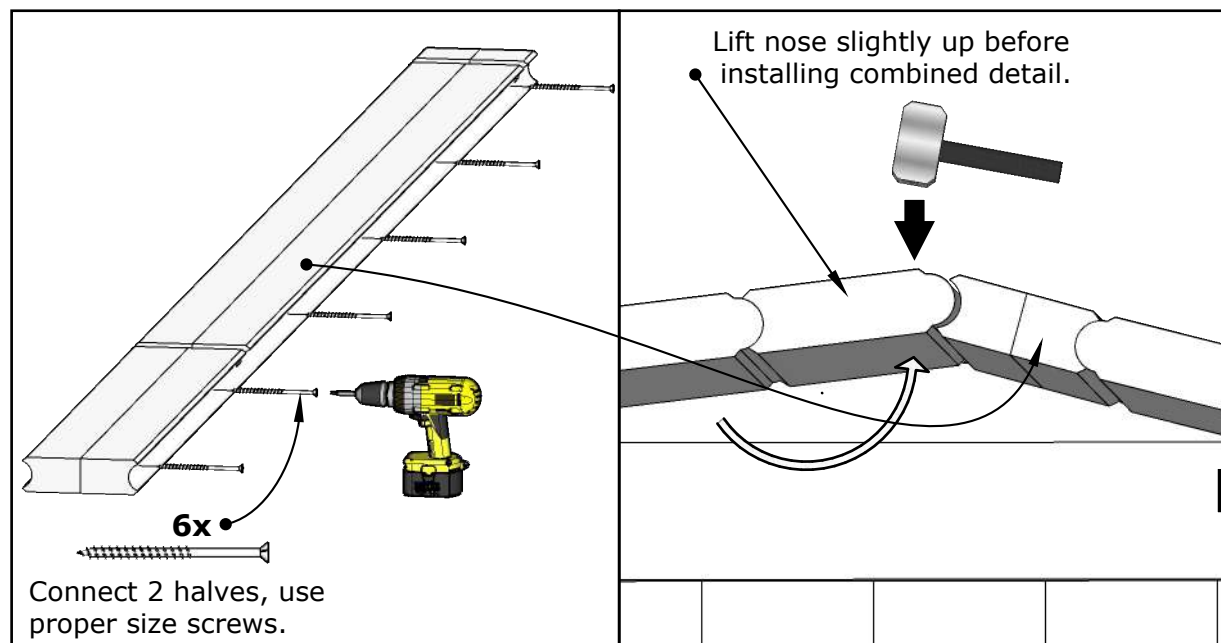
BUS Sauna 292, Ø226



BUS Sauna 292, Ø226



I

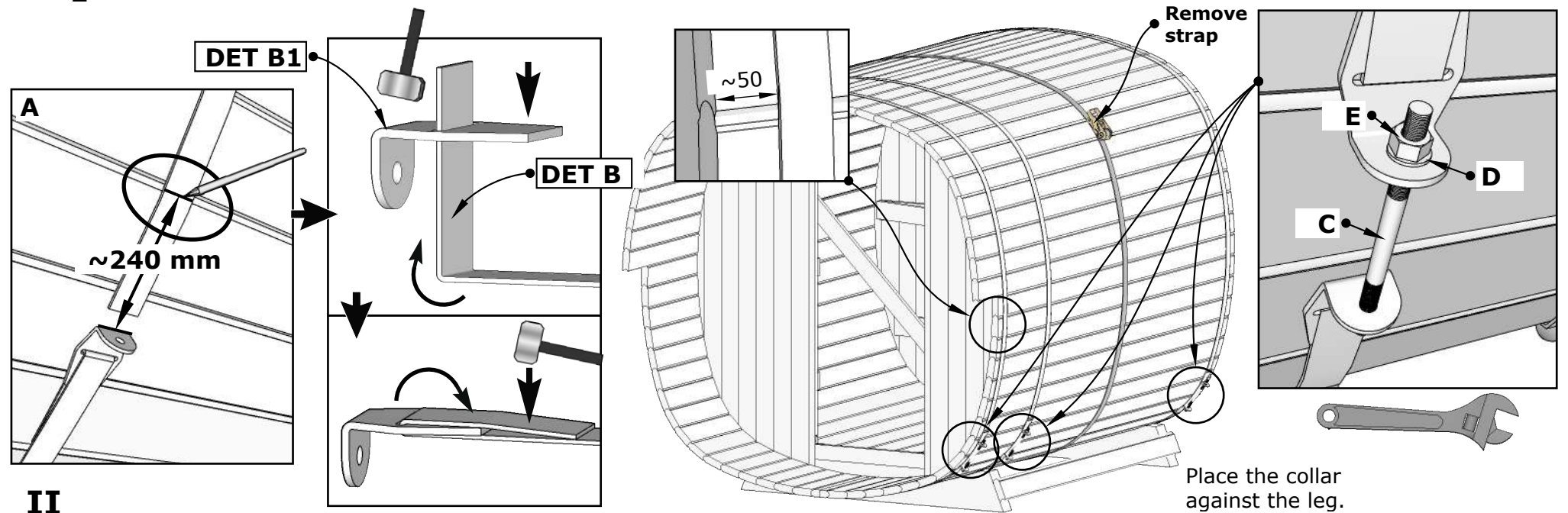
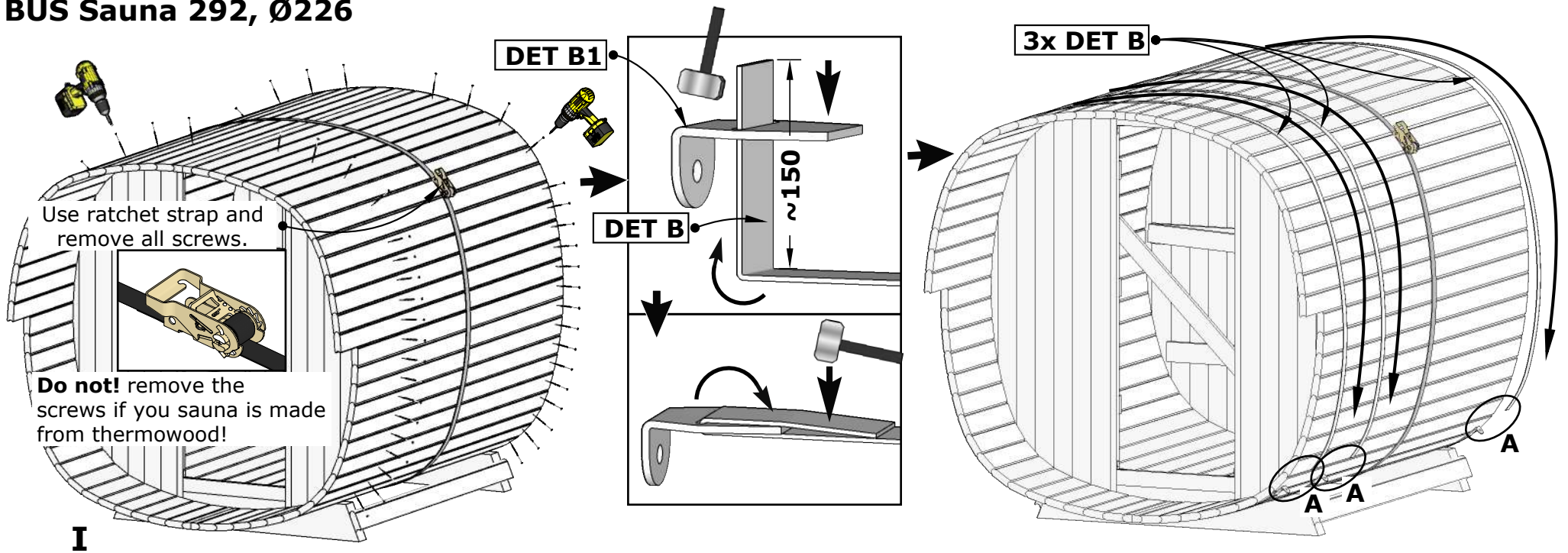


II

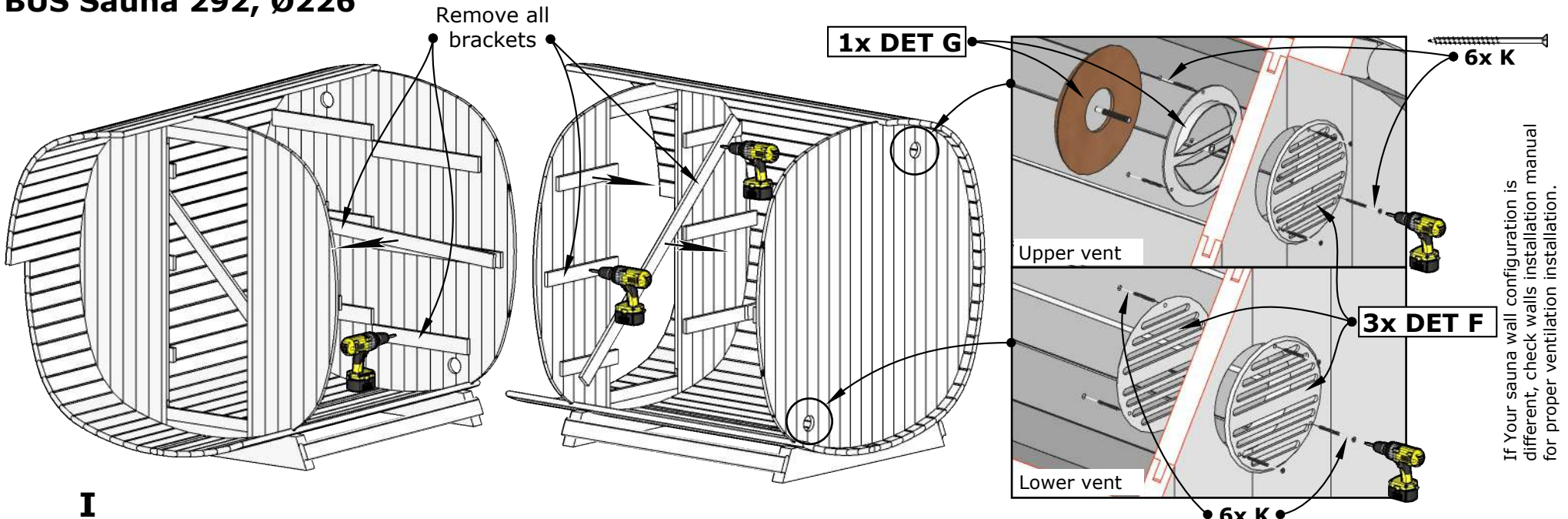
6.

(BUS-226-PES-PTS-002)

BUS Sauna 292, Ø226

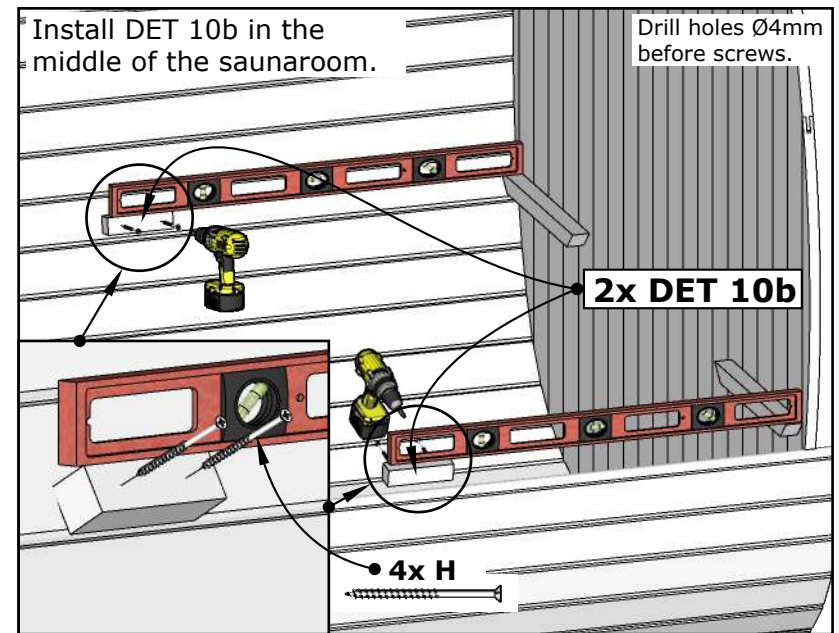
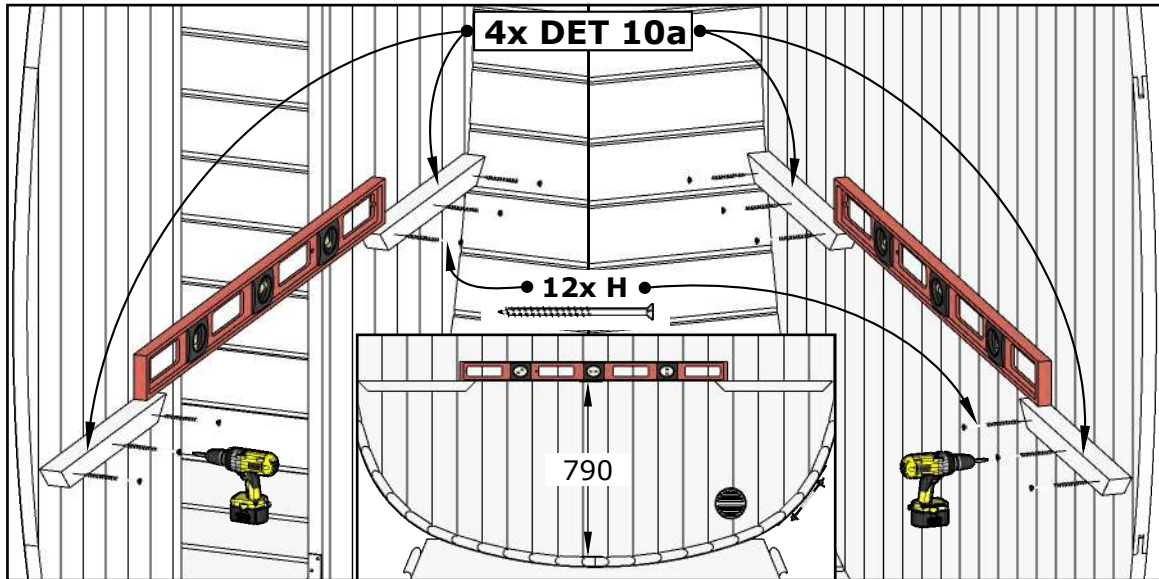


BUS Sauna 292, Ø226



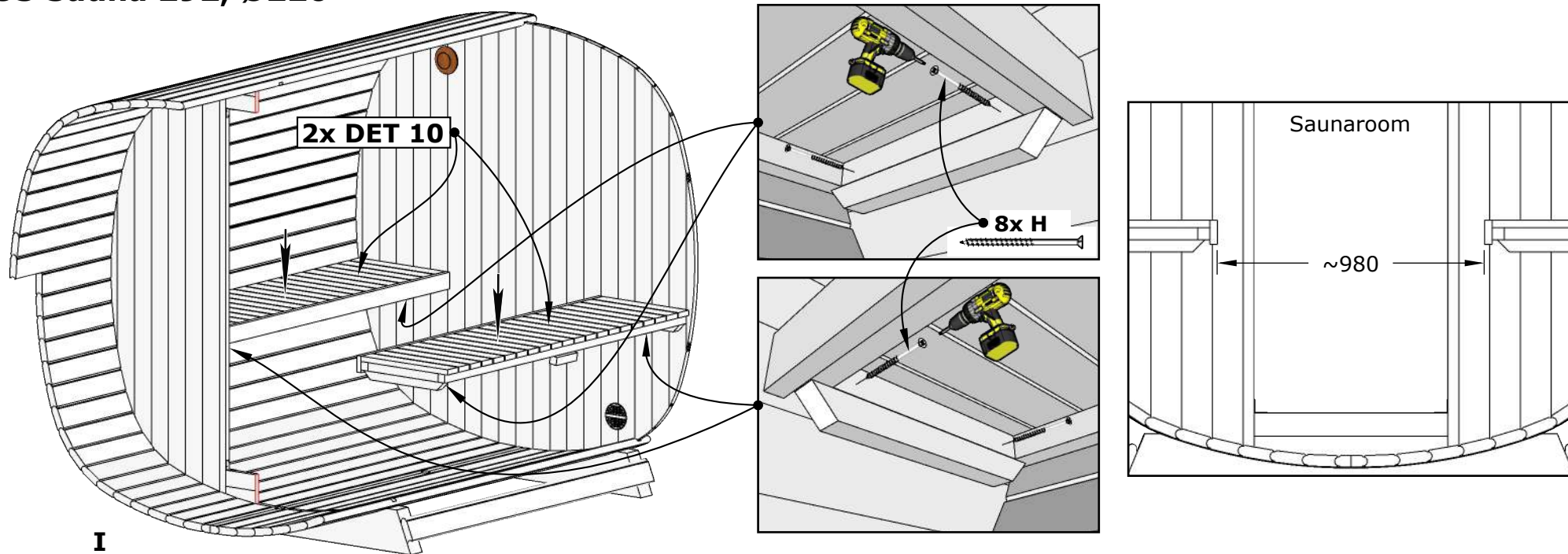
I

NB! If Your sauna model is equipped with glass-wall, the sauna benches installation manual is included in glass-wall installation manual.

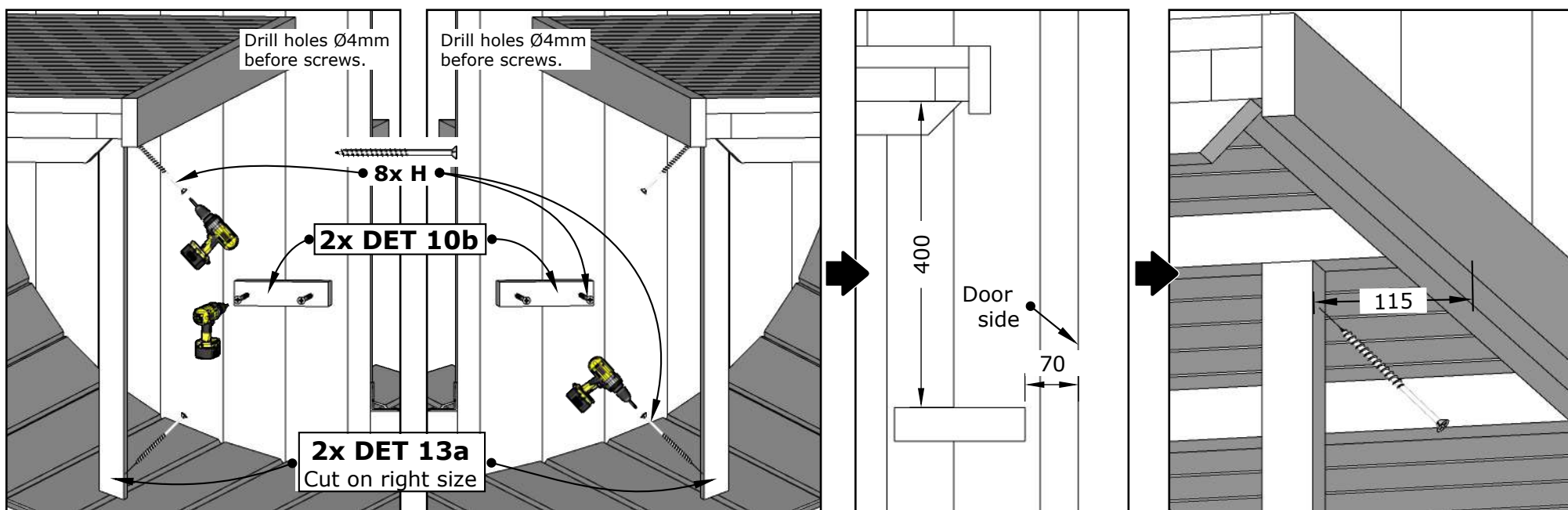


8. II

BUS Sauna 292, Ø226



I

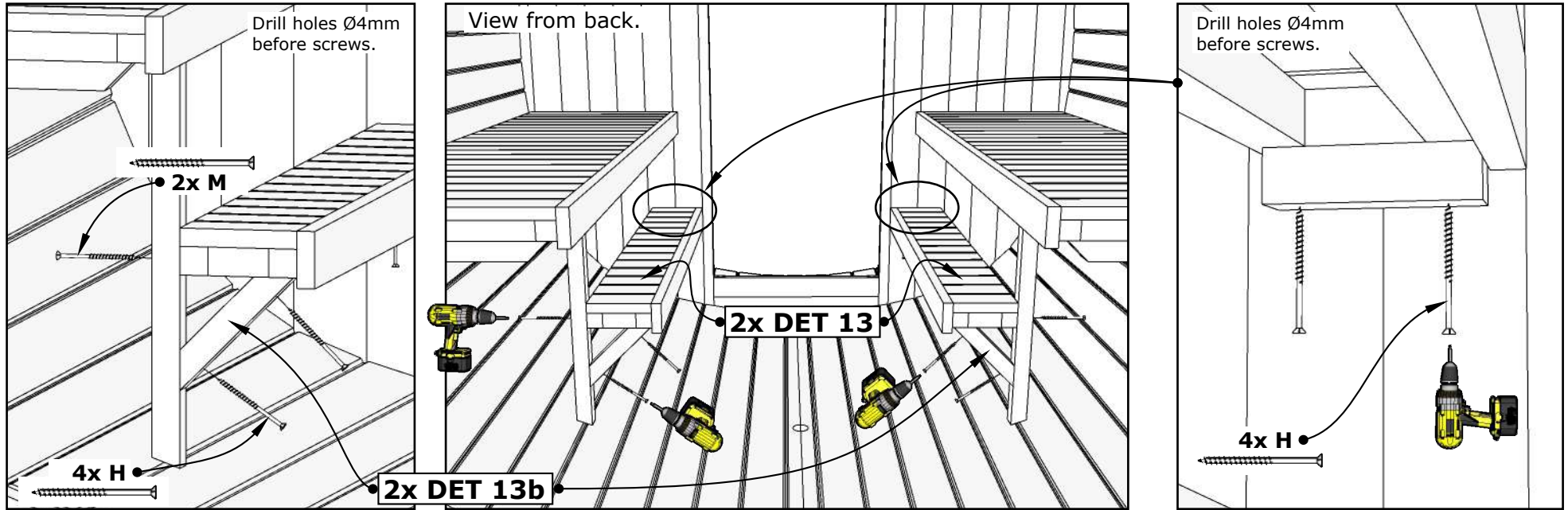


9.

II

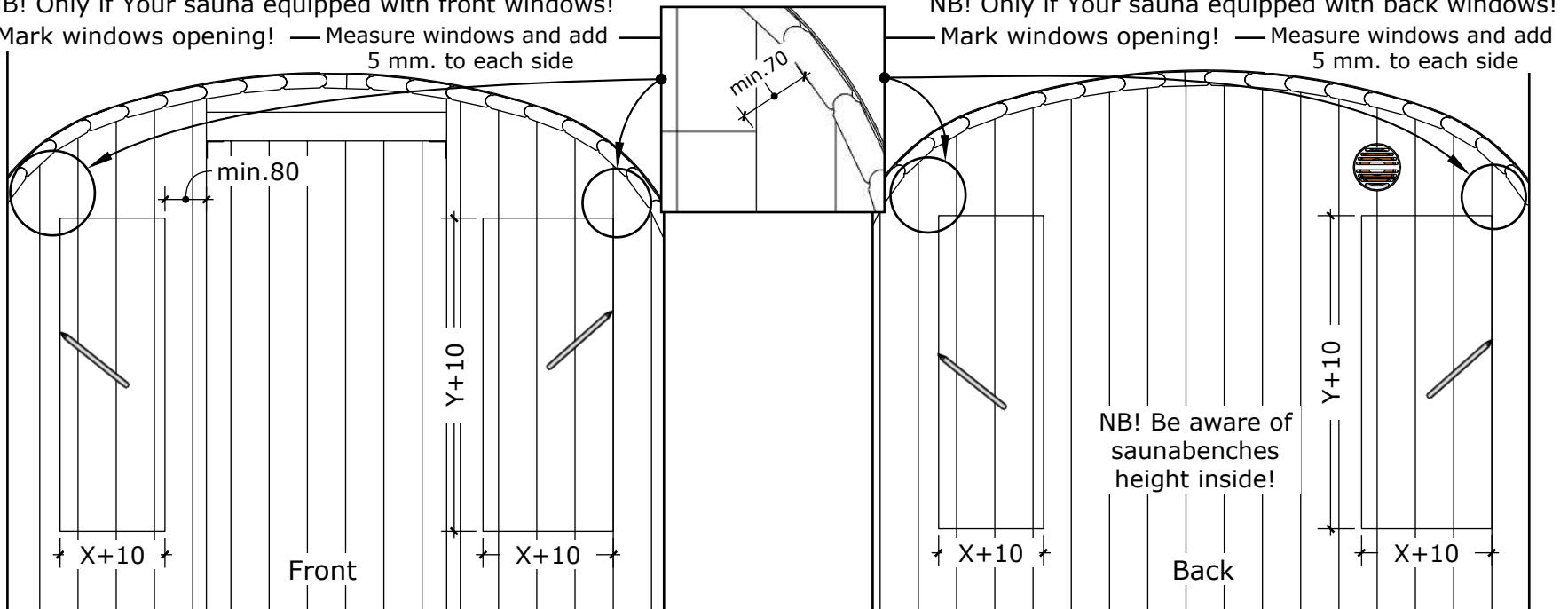
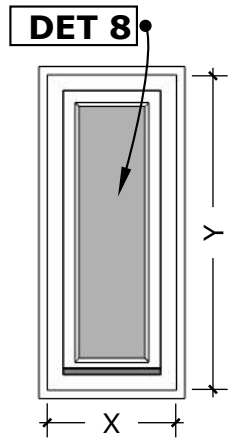
(BUS-226-PES-PTS-002)

BUS Sauna 292, Ø226



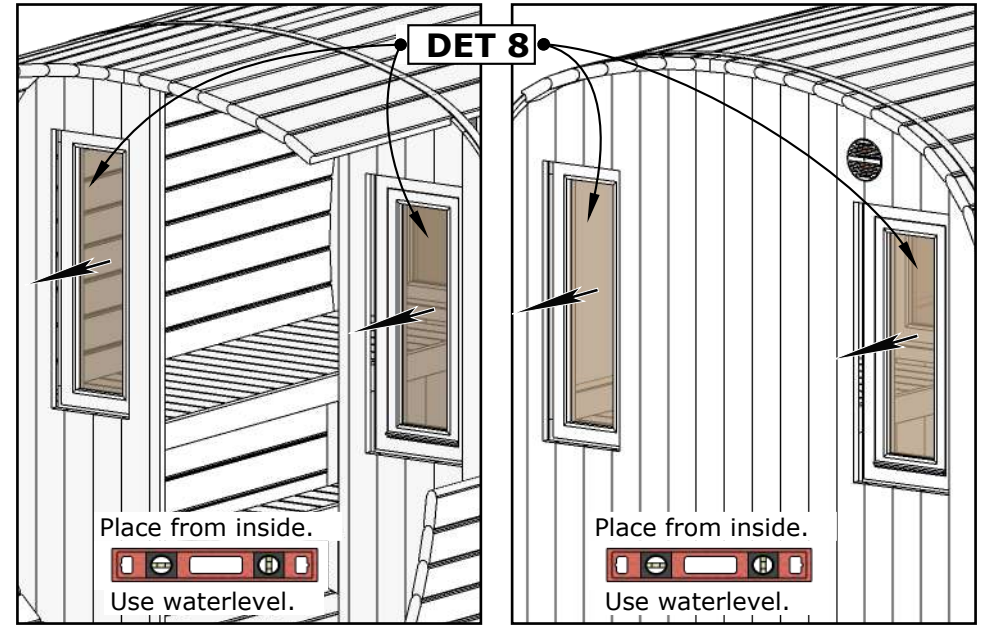
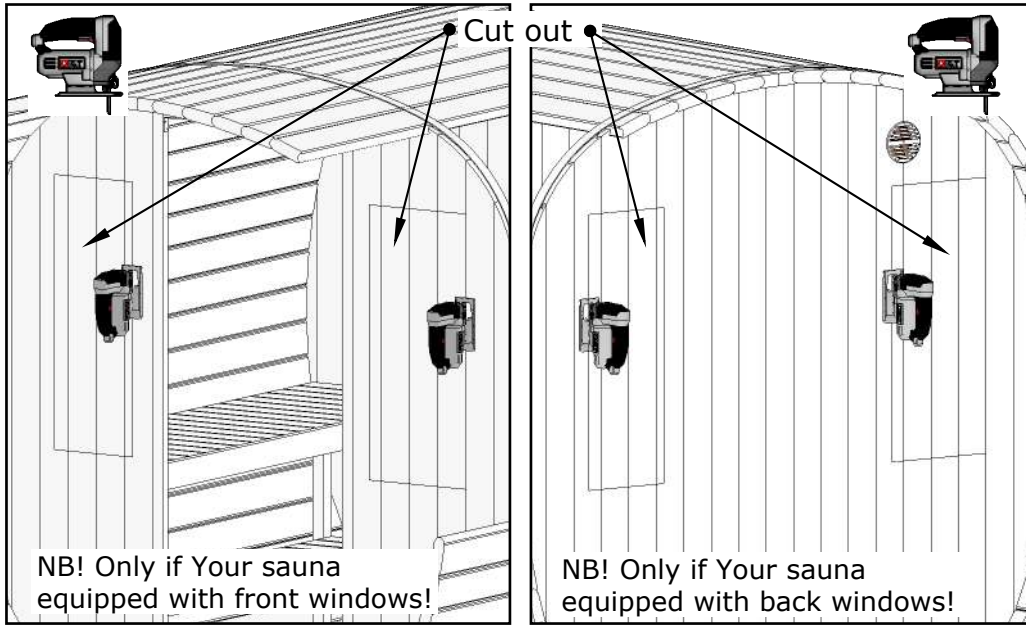
NB! Only if Your sauna equipped with front windows!

Mark windows opening! — Measure windows and add 5 mm. to each side

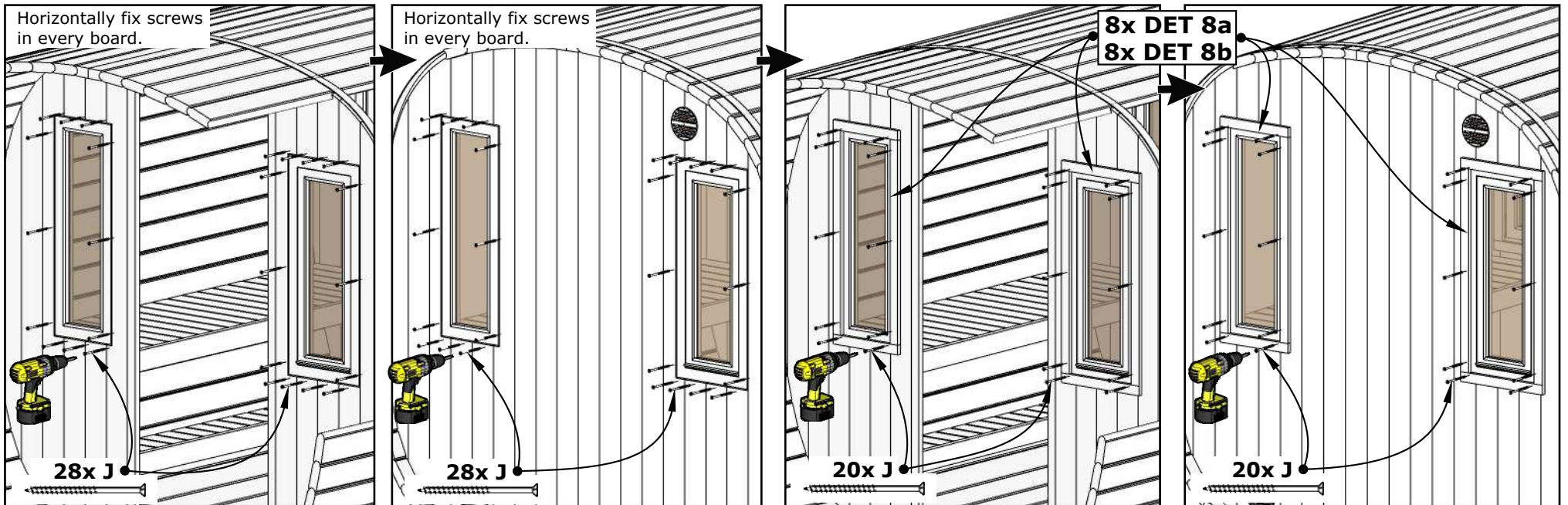


NB! Pay attention to window casement fitting!

BUS Sauna 292, Ø226

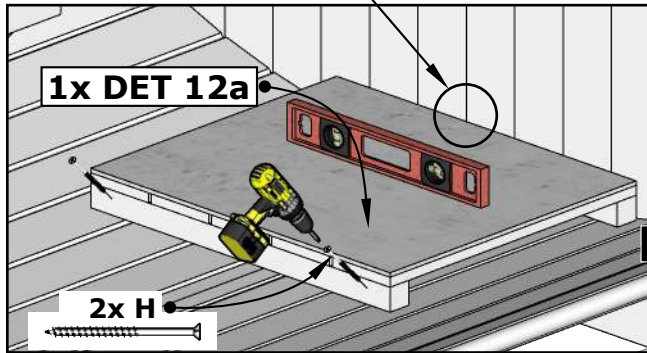
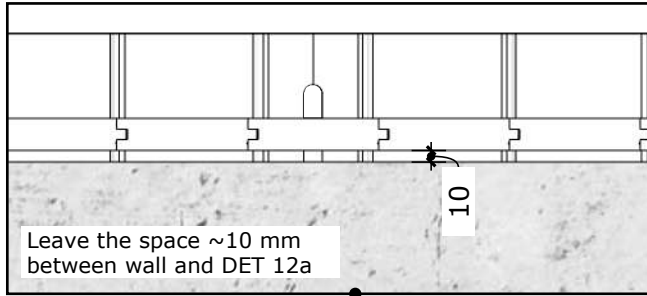


I

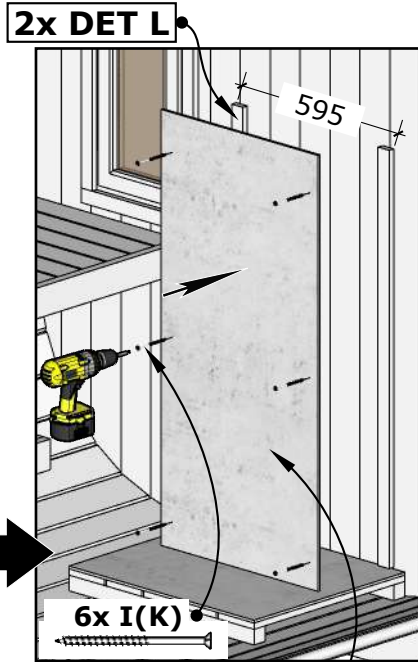


11. II

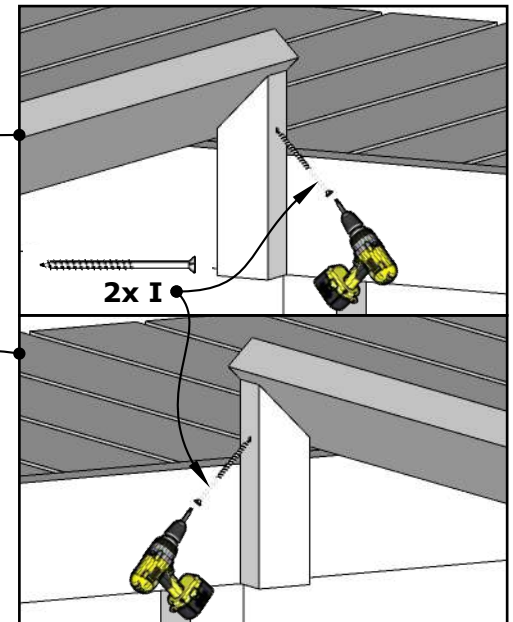
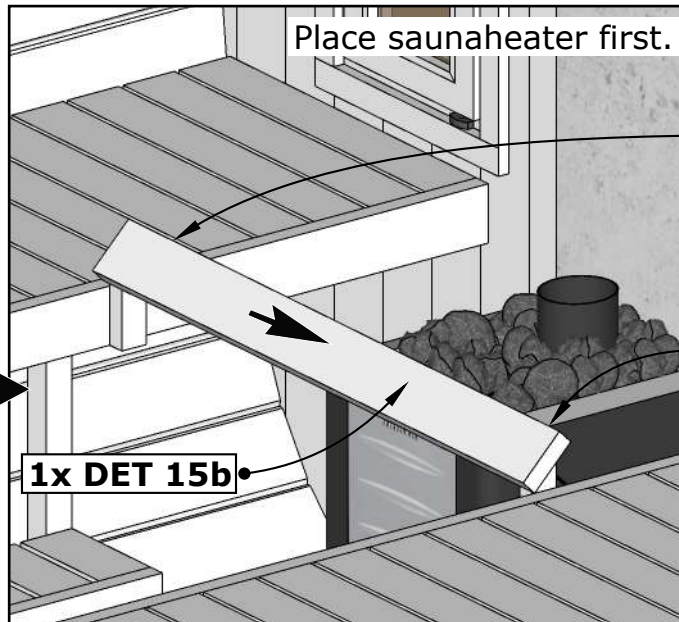
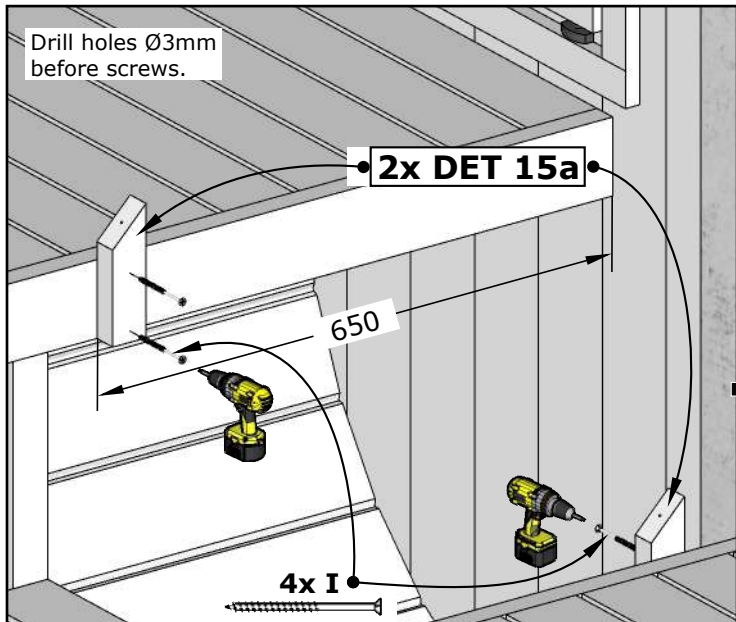
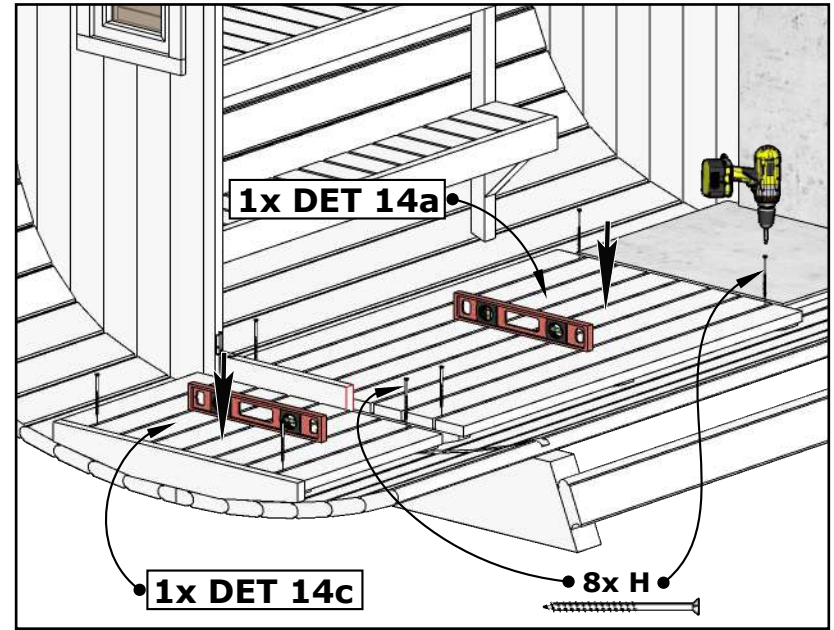
BUS Sauna 292, Ø226



I

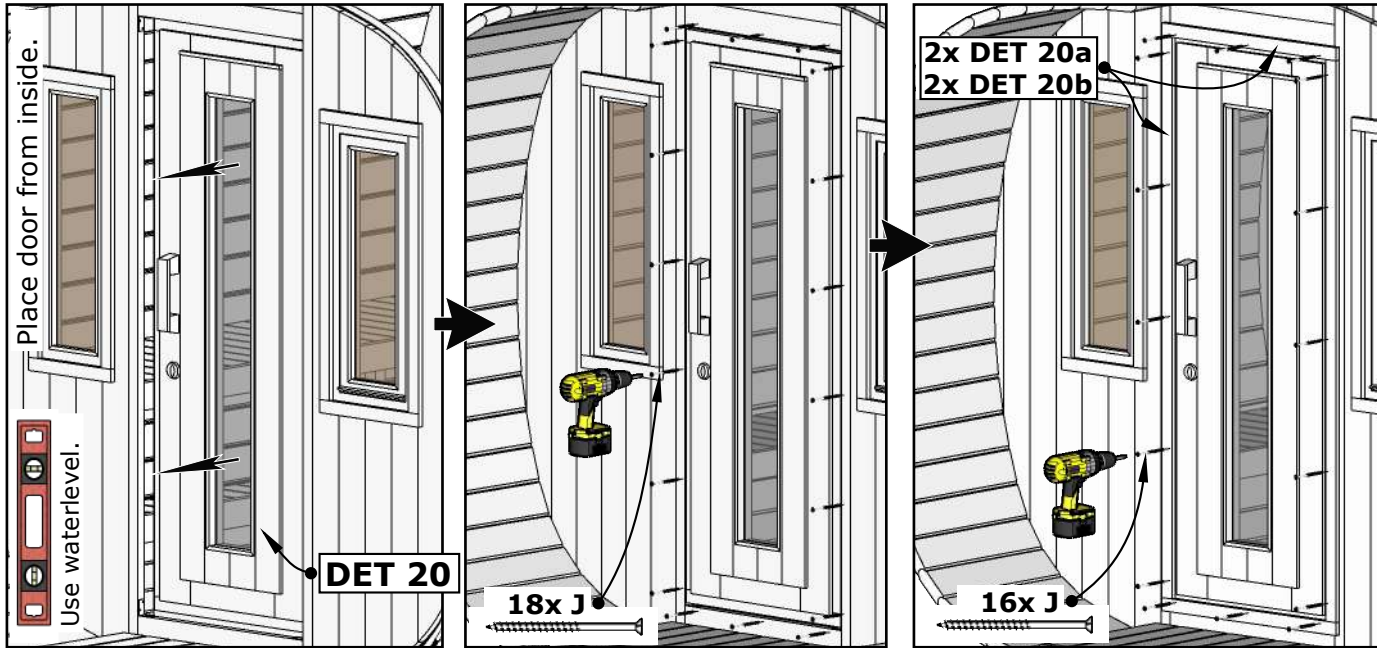


If Your sauna equipped with electrical heater, fix DET 12 b directly to the wall without DET L. Then use screws K.

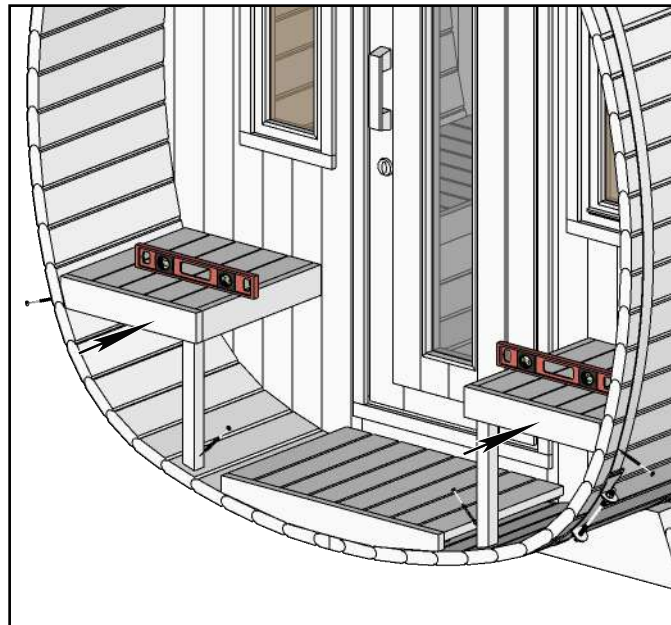


12. II

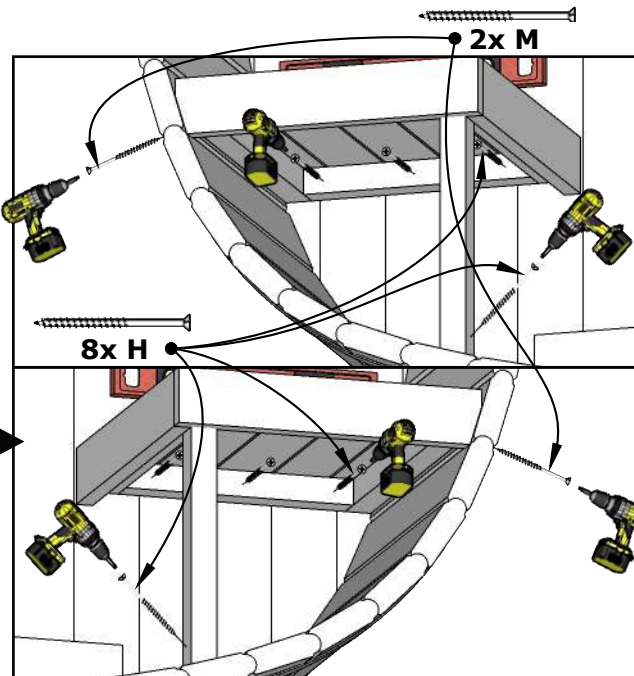
BUS Sauna 292, Ø226



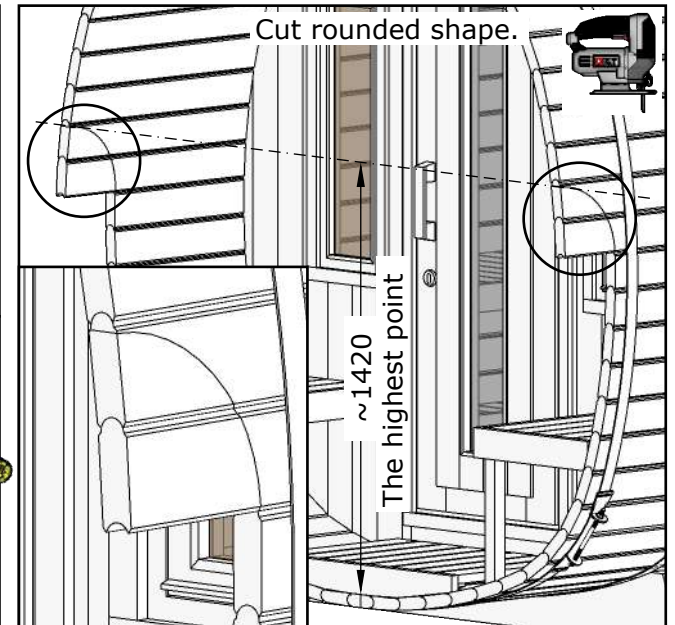
I



13. III

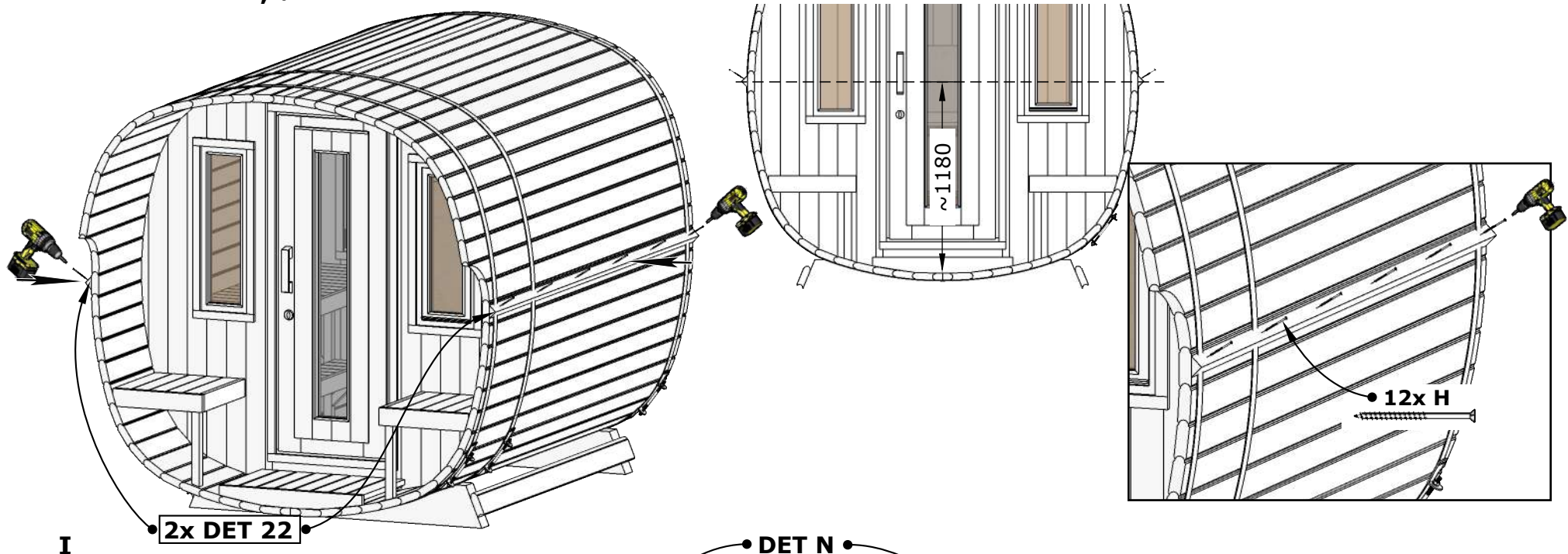


(BUS-226-PES-PTS-002)

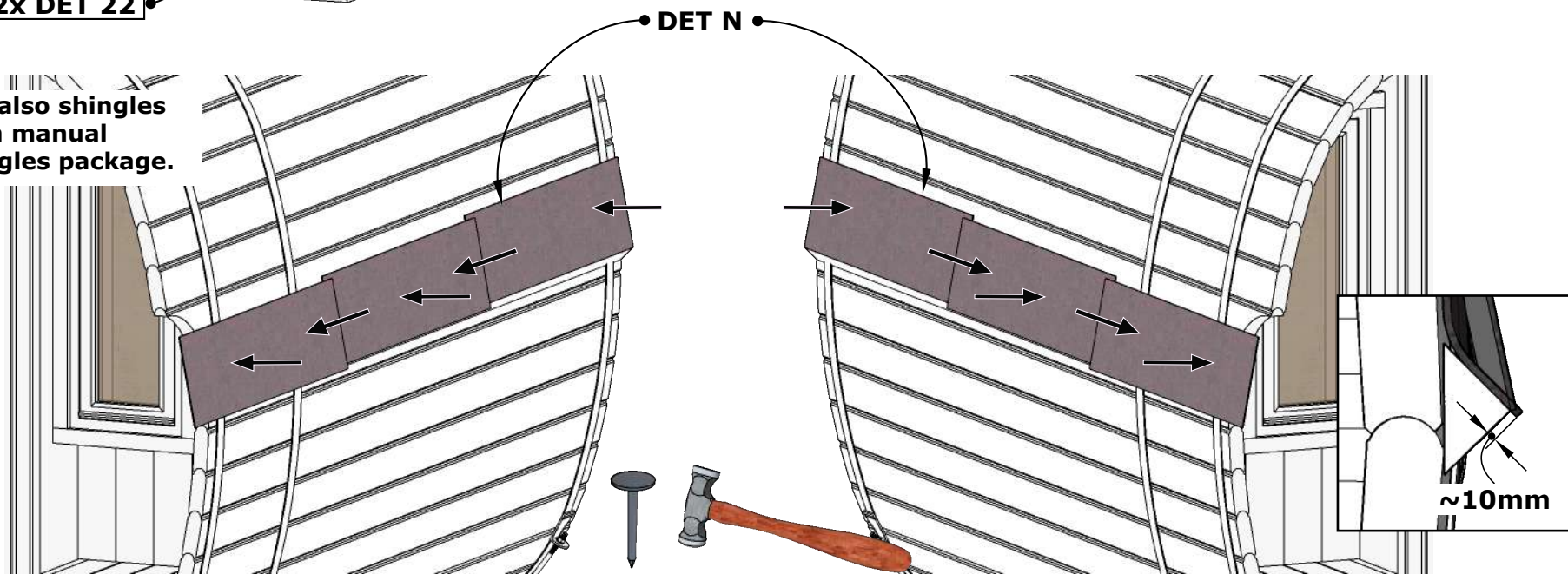


VI

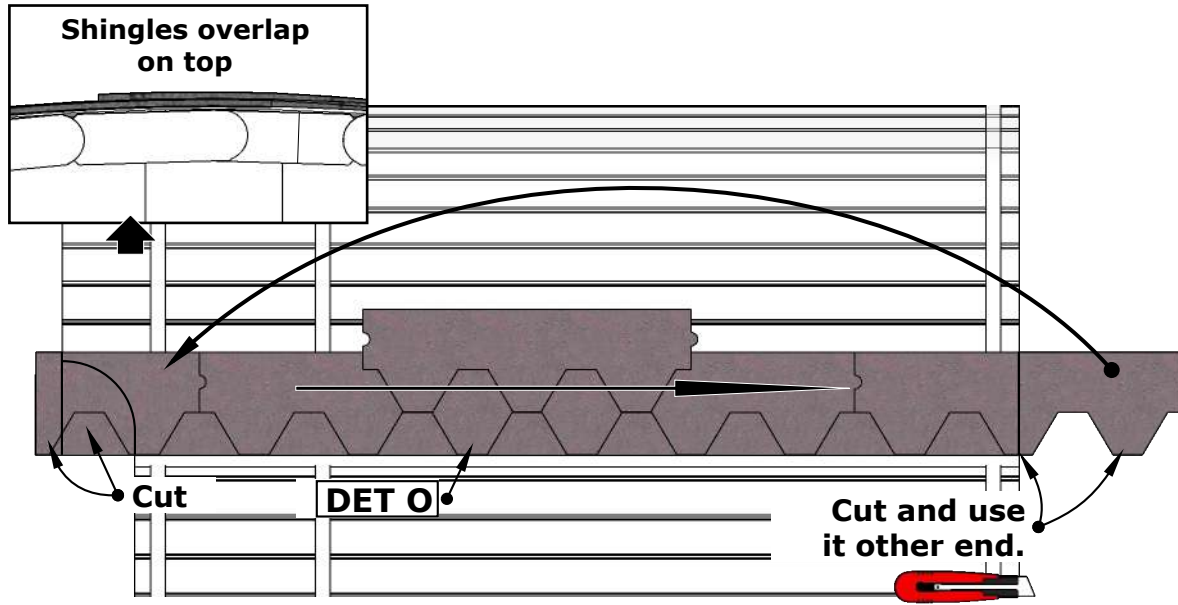
BUS Sauna 292, Ø226



NB! Check also shingles installation manual inside shingles package.

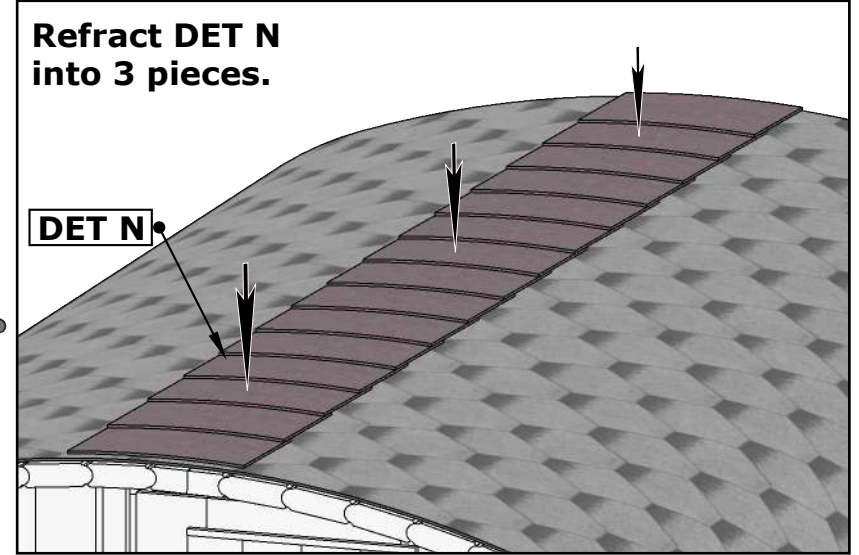


BUS Sauna 292, Ø226

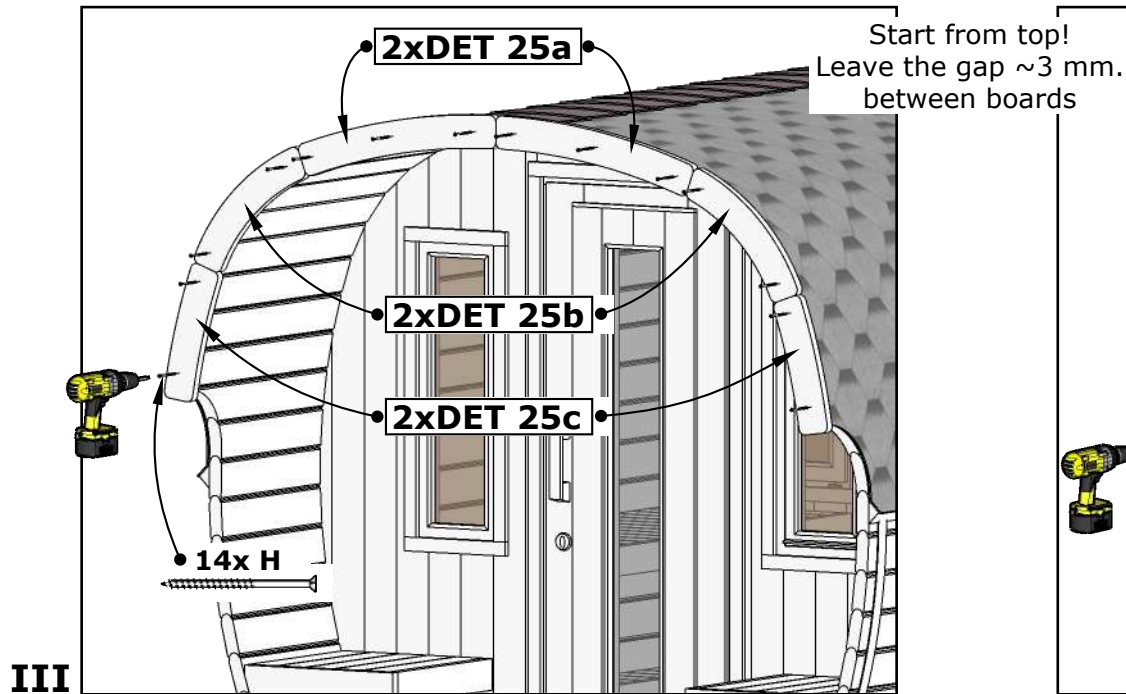


I

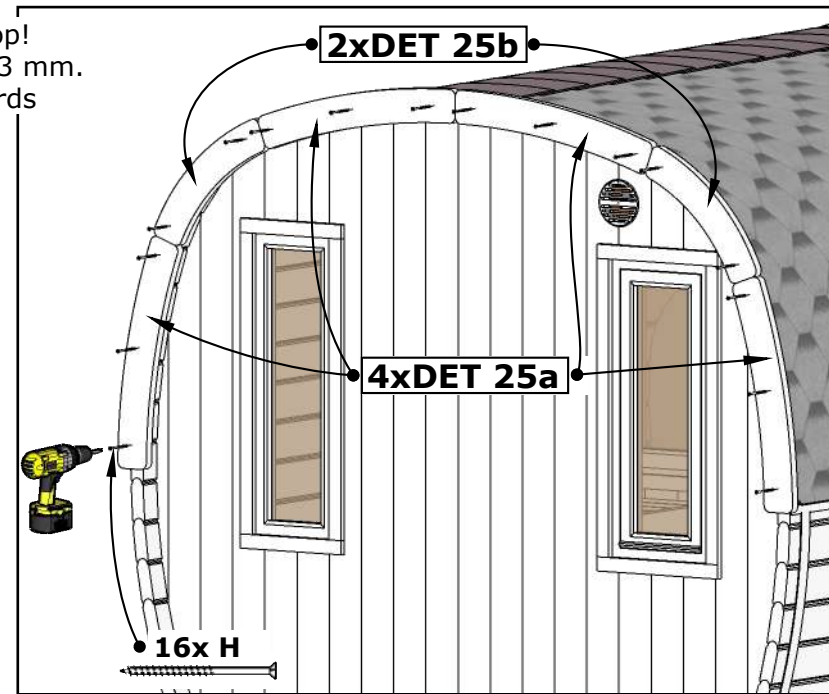
Check also roof shingles installation manual inside package.



II



III



BUS Sauna 292, Ø226

NB! Backrests are optional!

