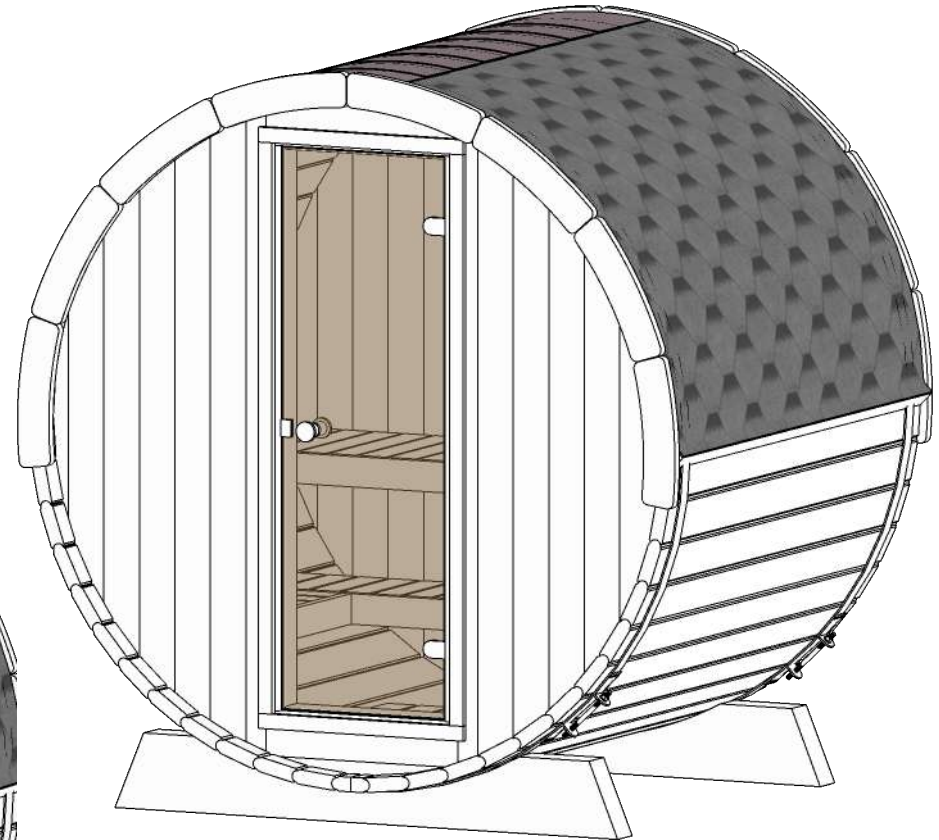
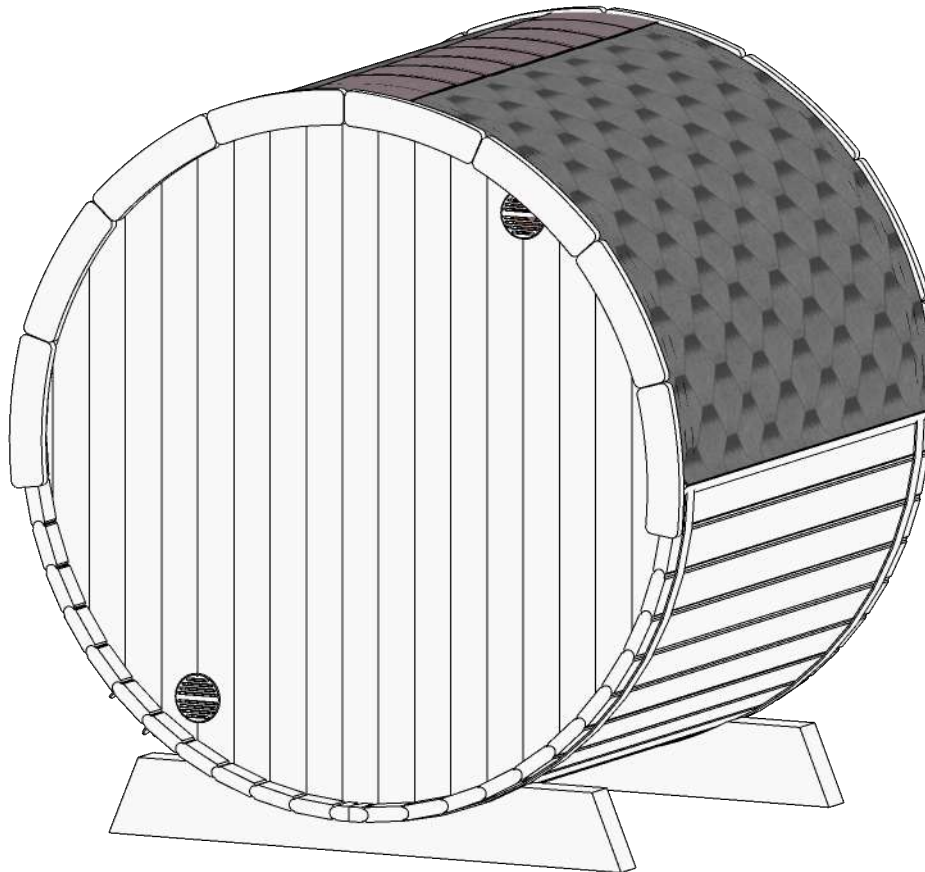


Sauna 160, Ø200

**NB! Please read whole manual
before start.**

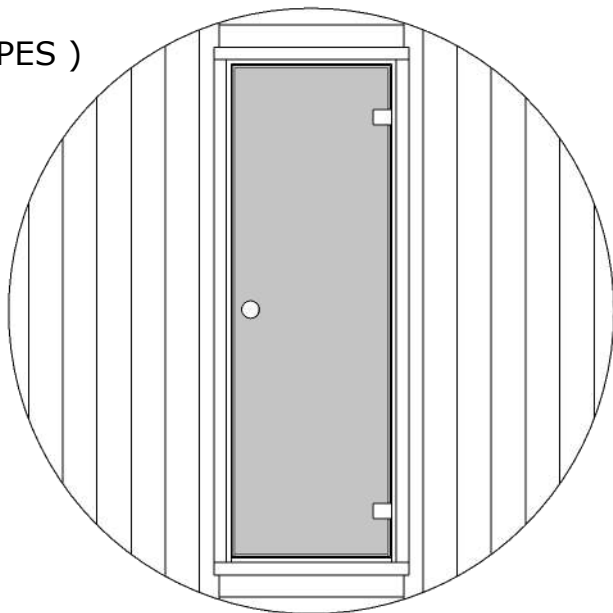
**All given measurements
are in millimeters!**



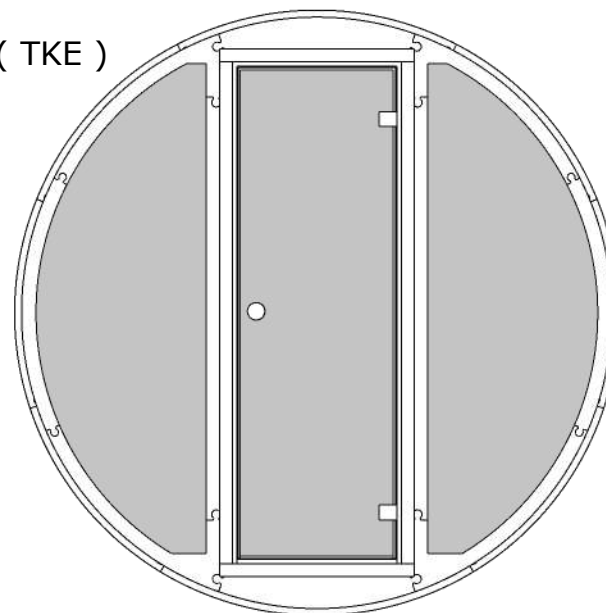
Sauna 160, Ø200

Walls configuration.

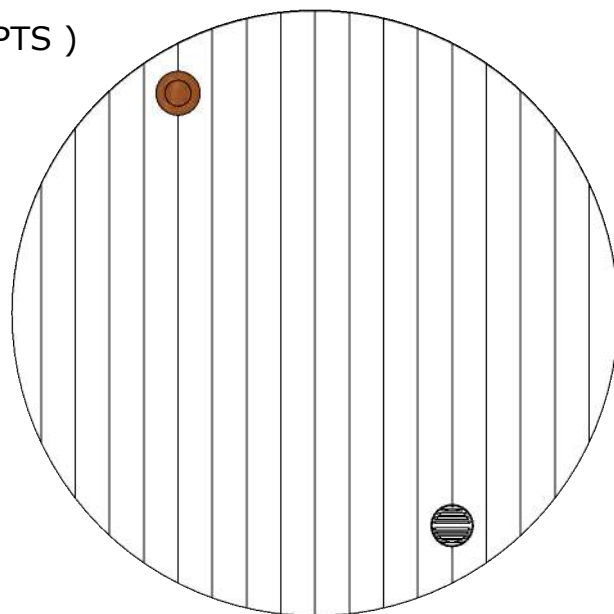
(PES)



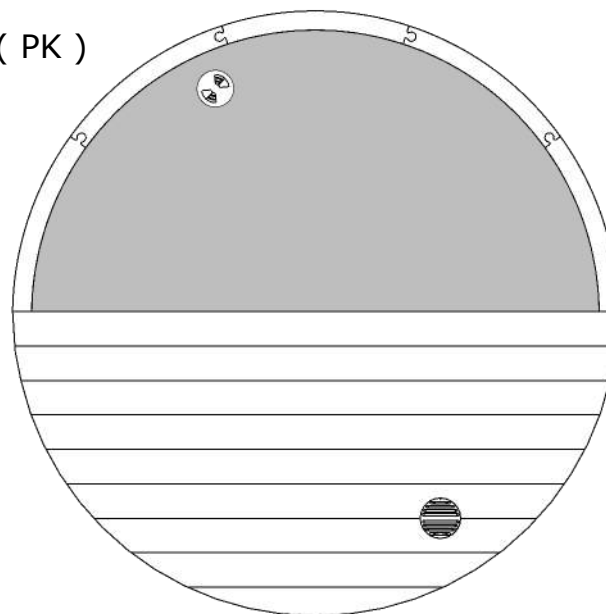
(TKE)



(PTS)

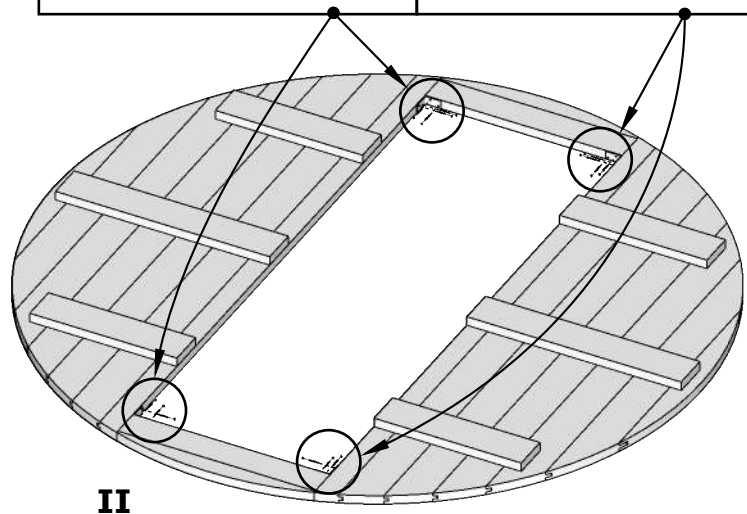
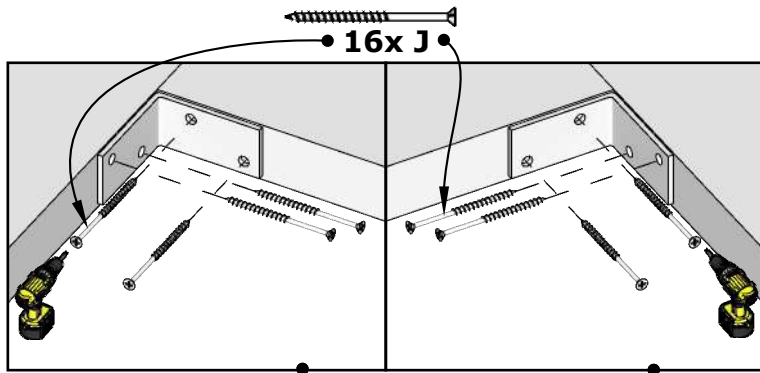
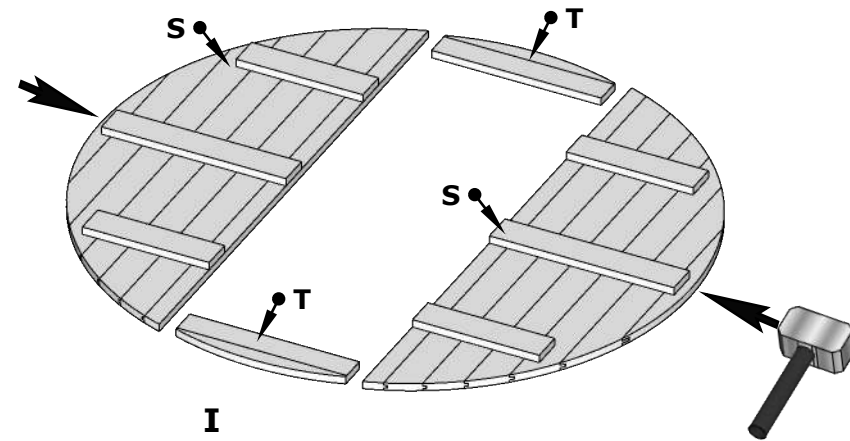
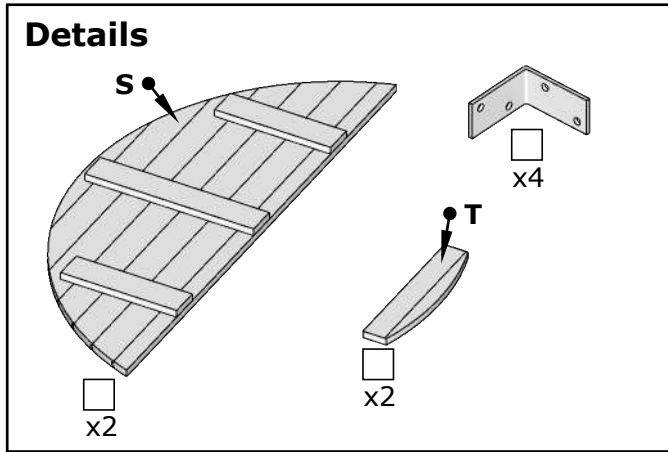


(PK)

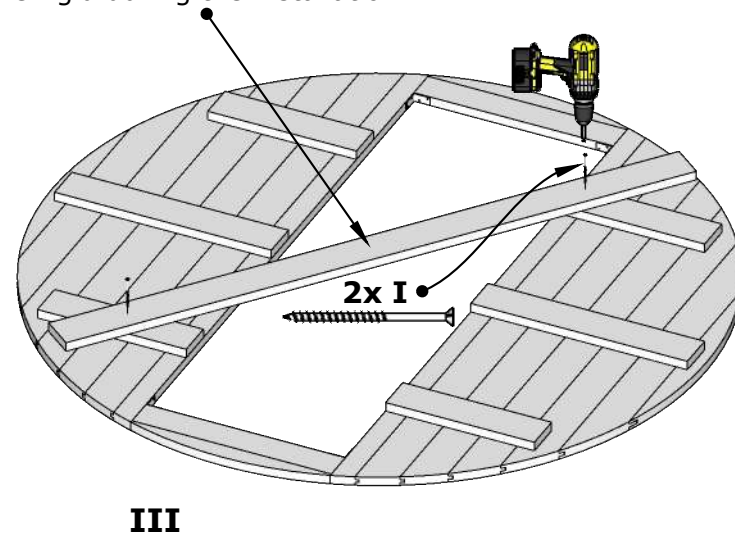


Wooden front wall assembly

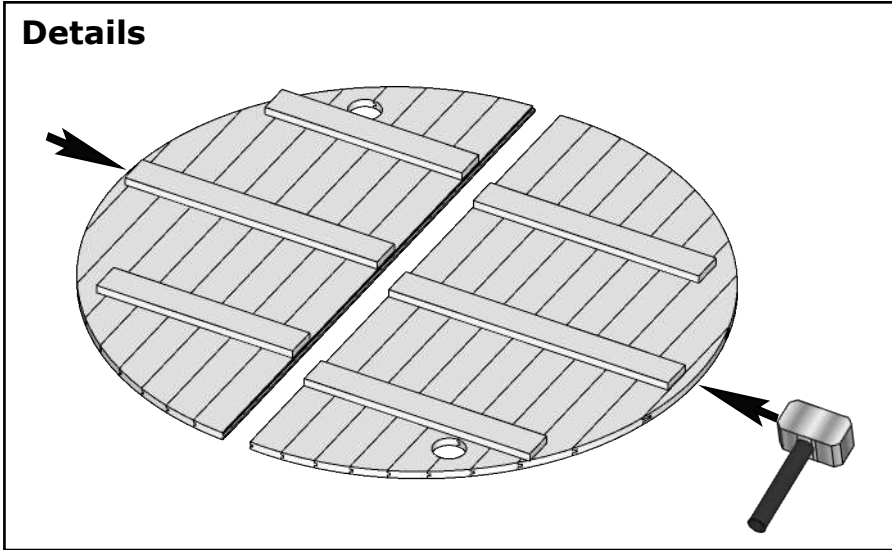
Details



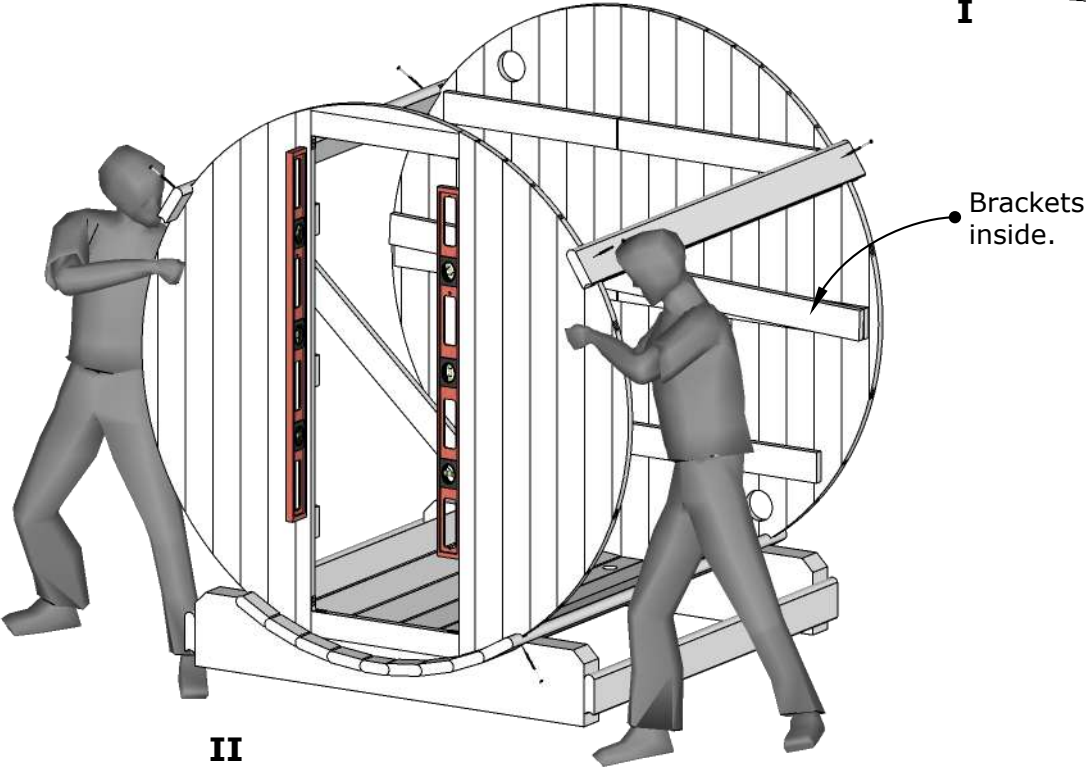
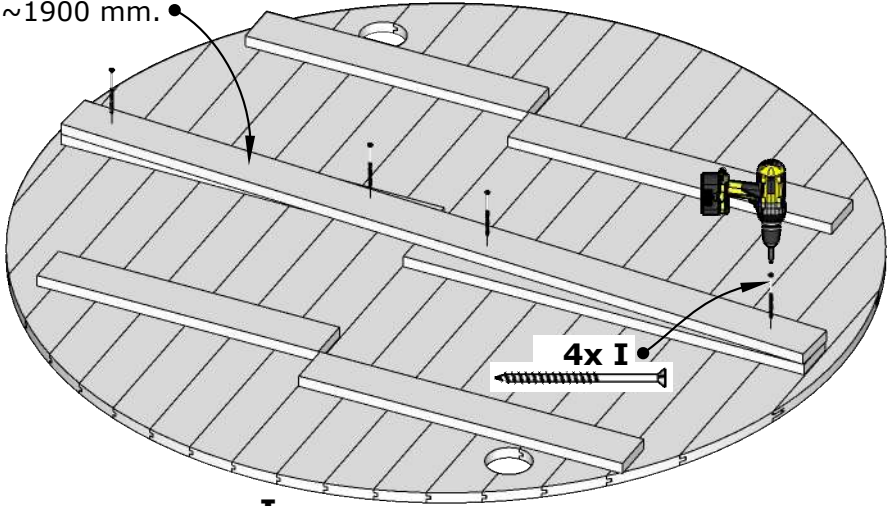
Cut board from pallet L= \sim 1900mm.
Fix it diagonally to make wall more rigid during the installation.



Wooden back wall assembly

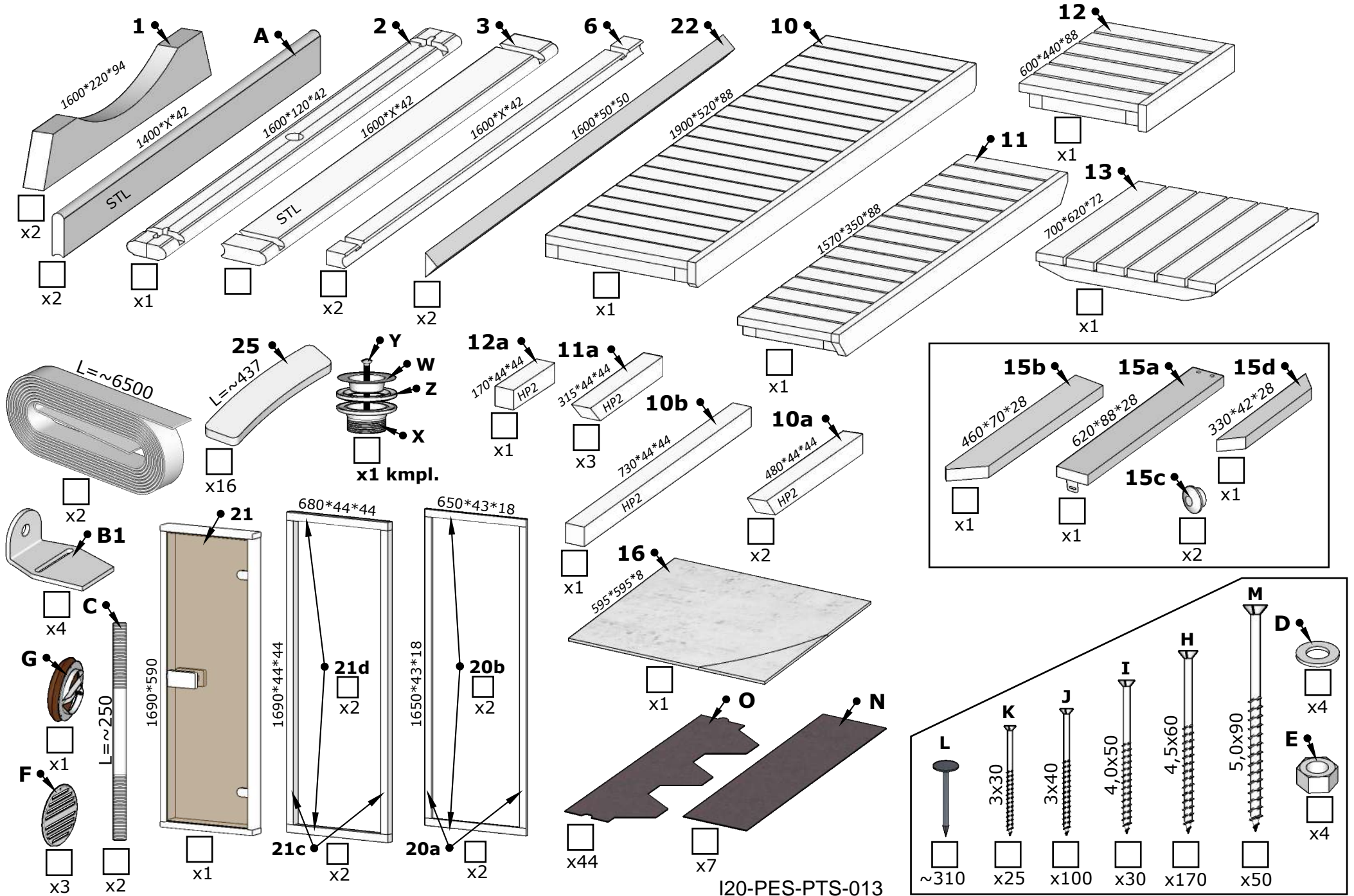


Cut board from pallet
L= ~1900 mm.

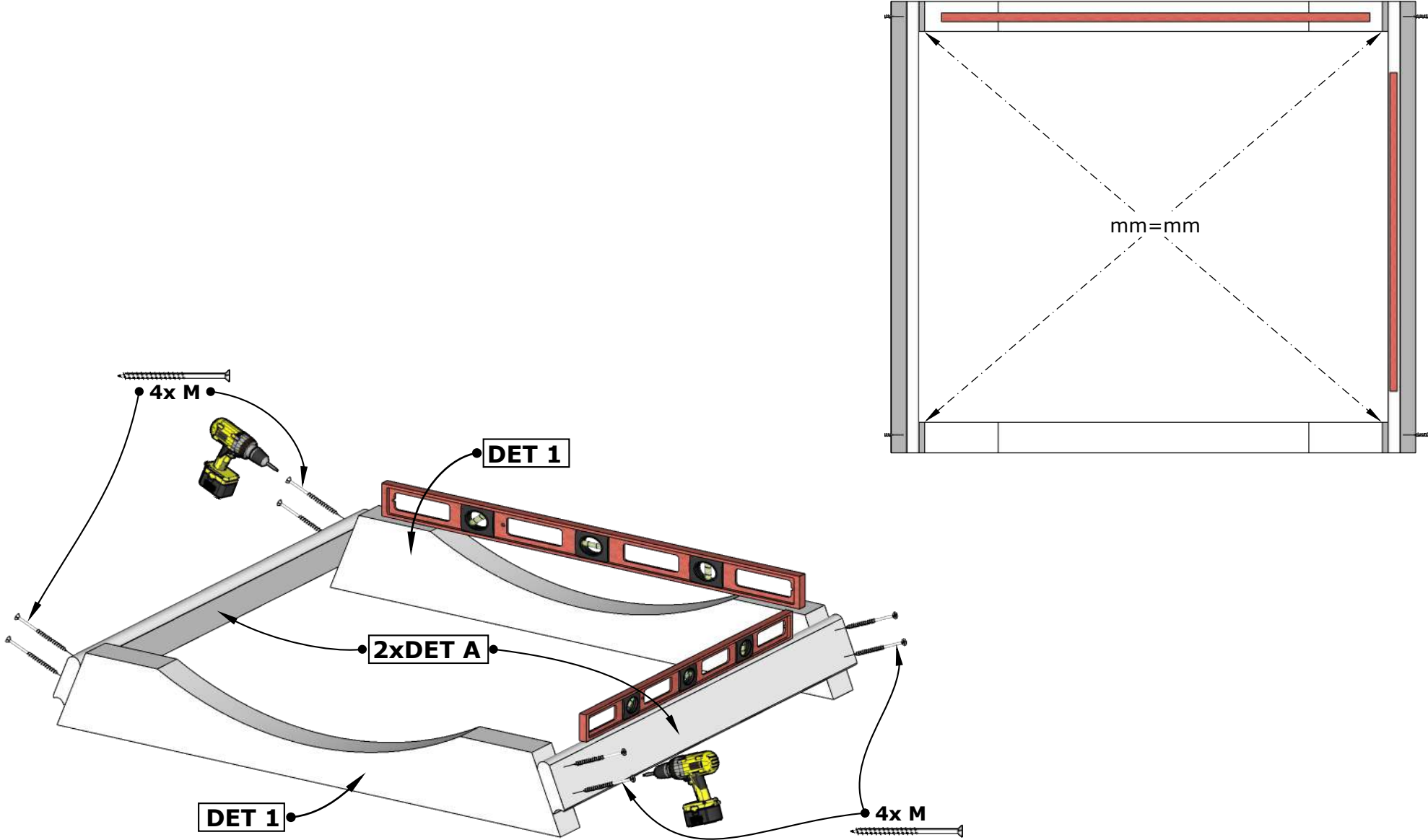


Sauna 160, Ø200

Details list.

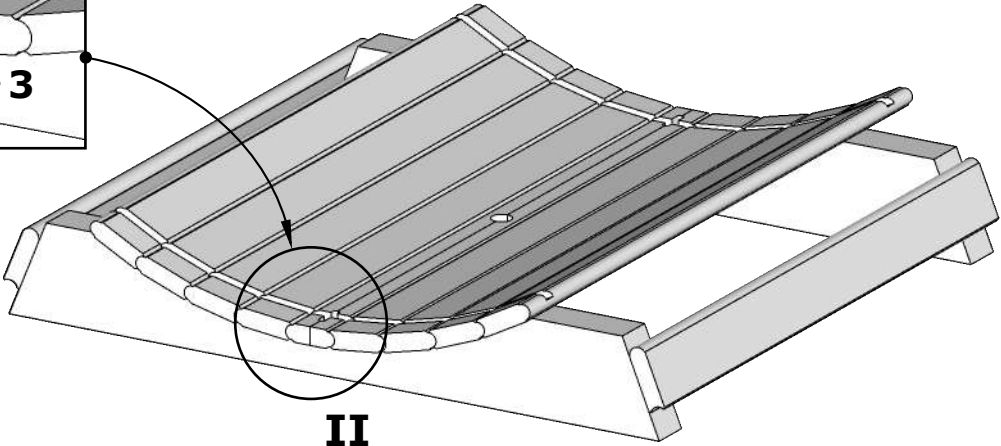
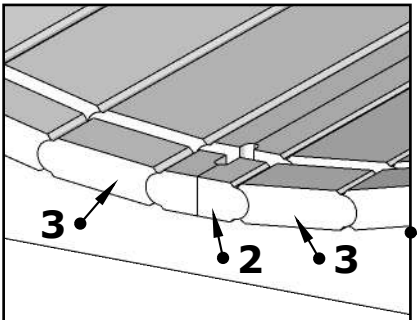
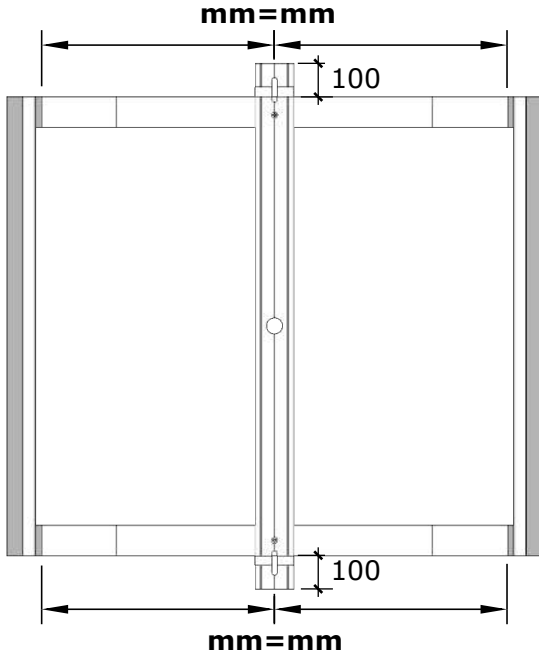
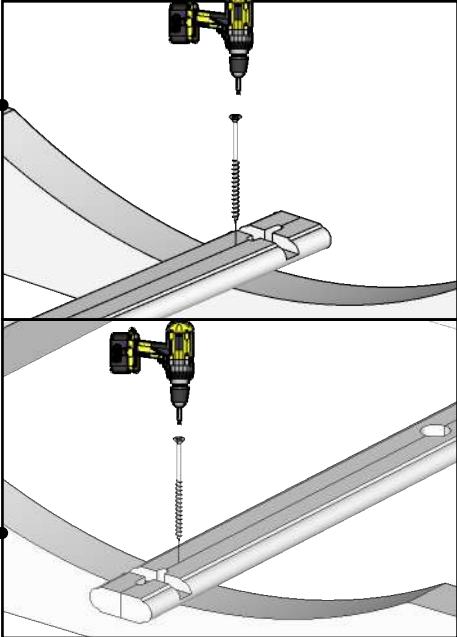
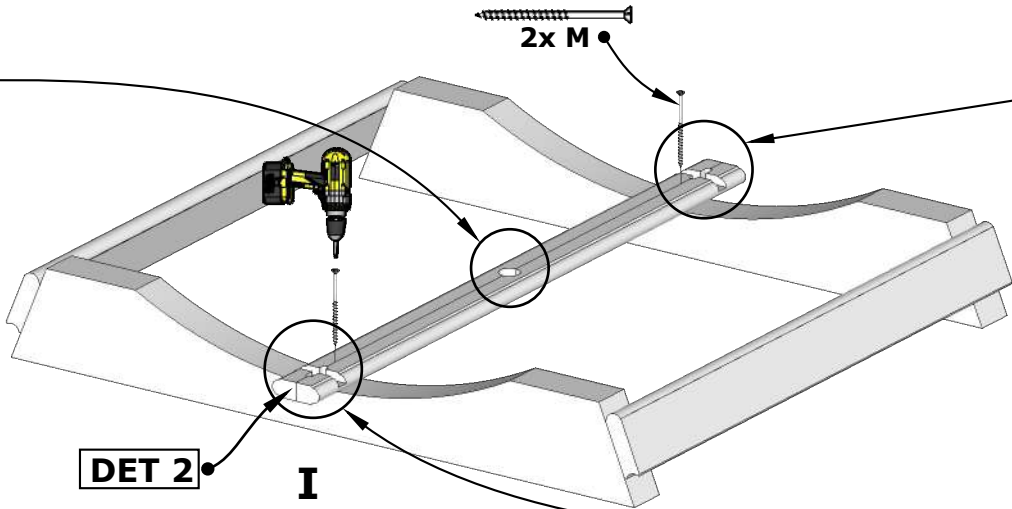
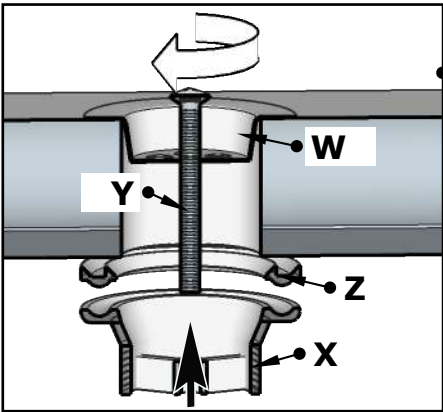


Sauna 160, Ø200

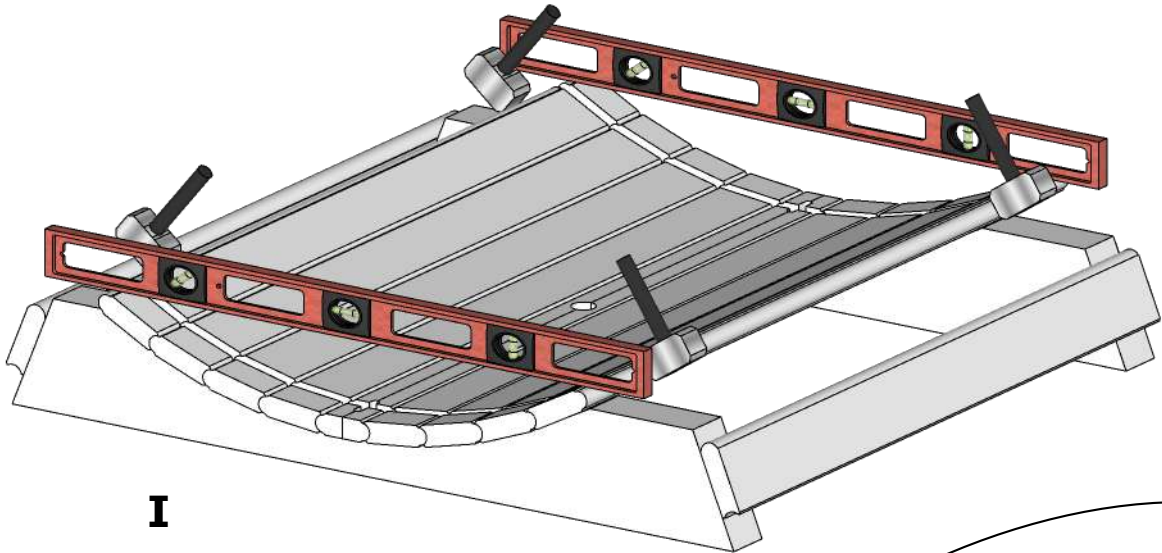


1.

Sauna 160, Ø200

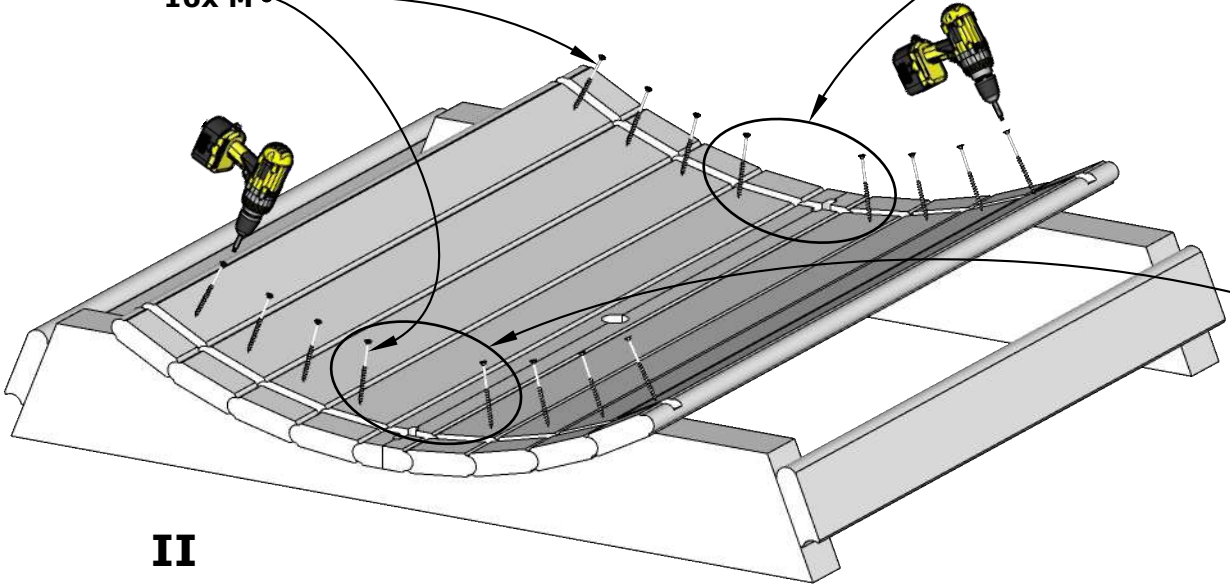


Sauna 160, Ø200

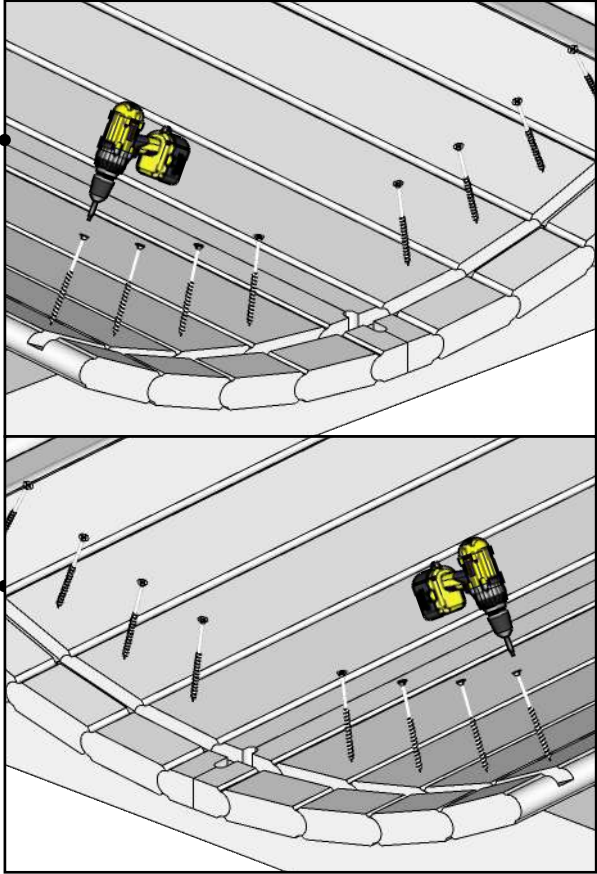


I

16x M



II



Sauna 160, Ø200

Use waterlevel

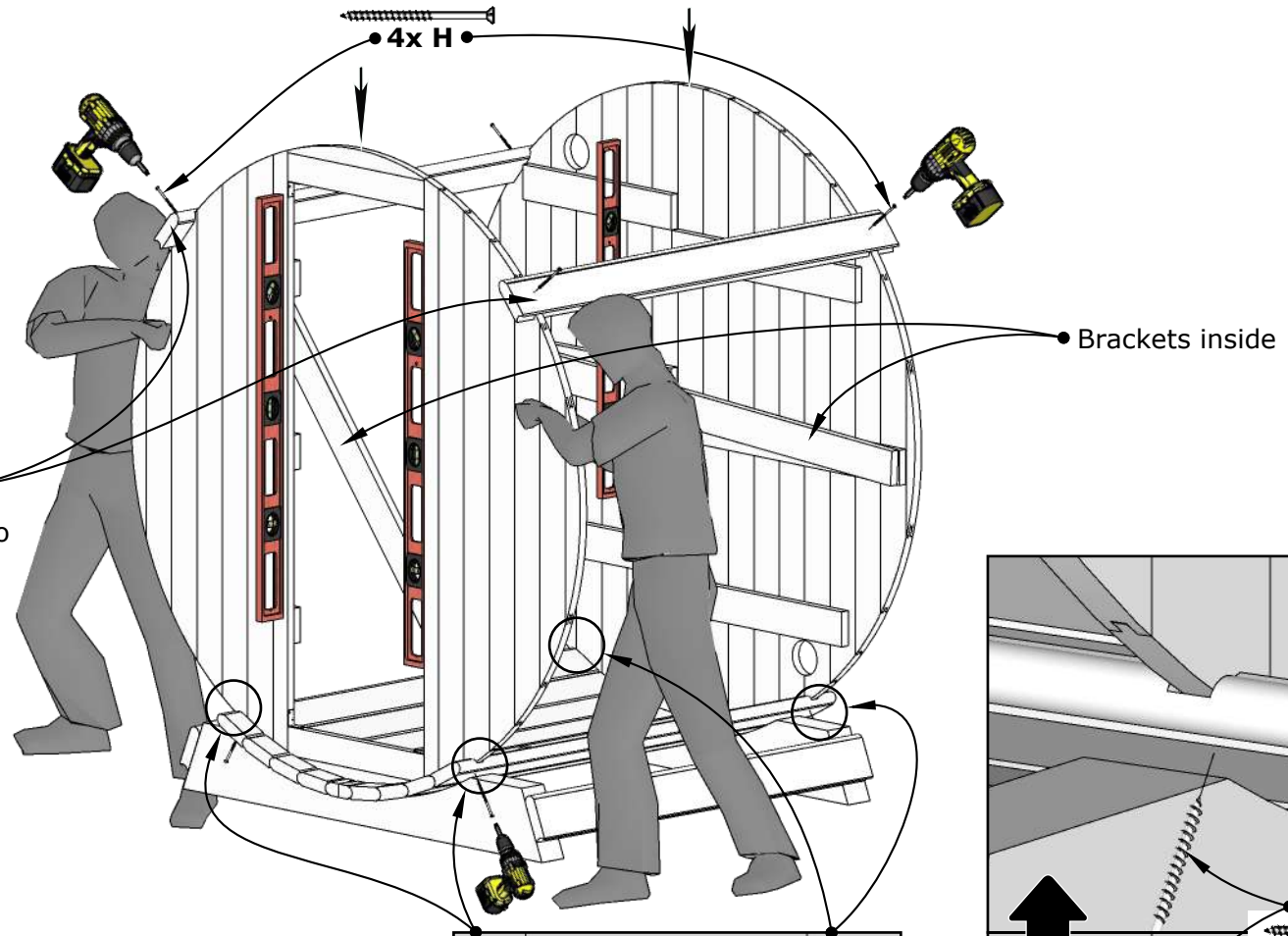


Check walls installation manual on extra pages!

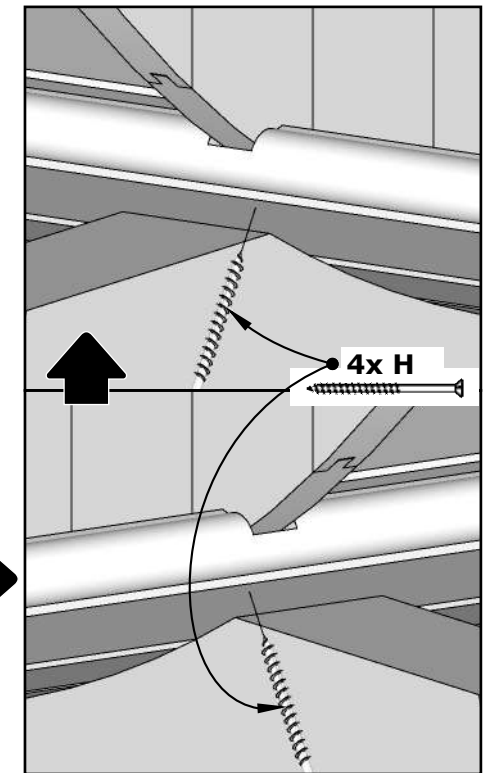
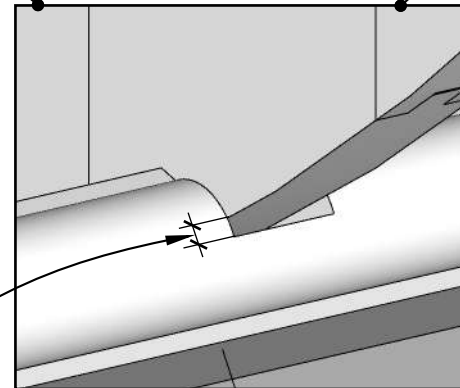
Sauna wall configuration depends on Your model!

DET 3

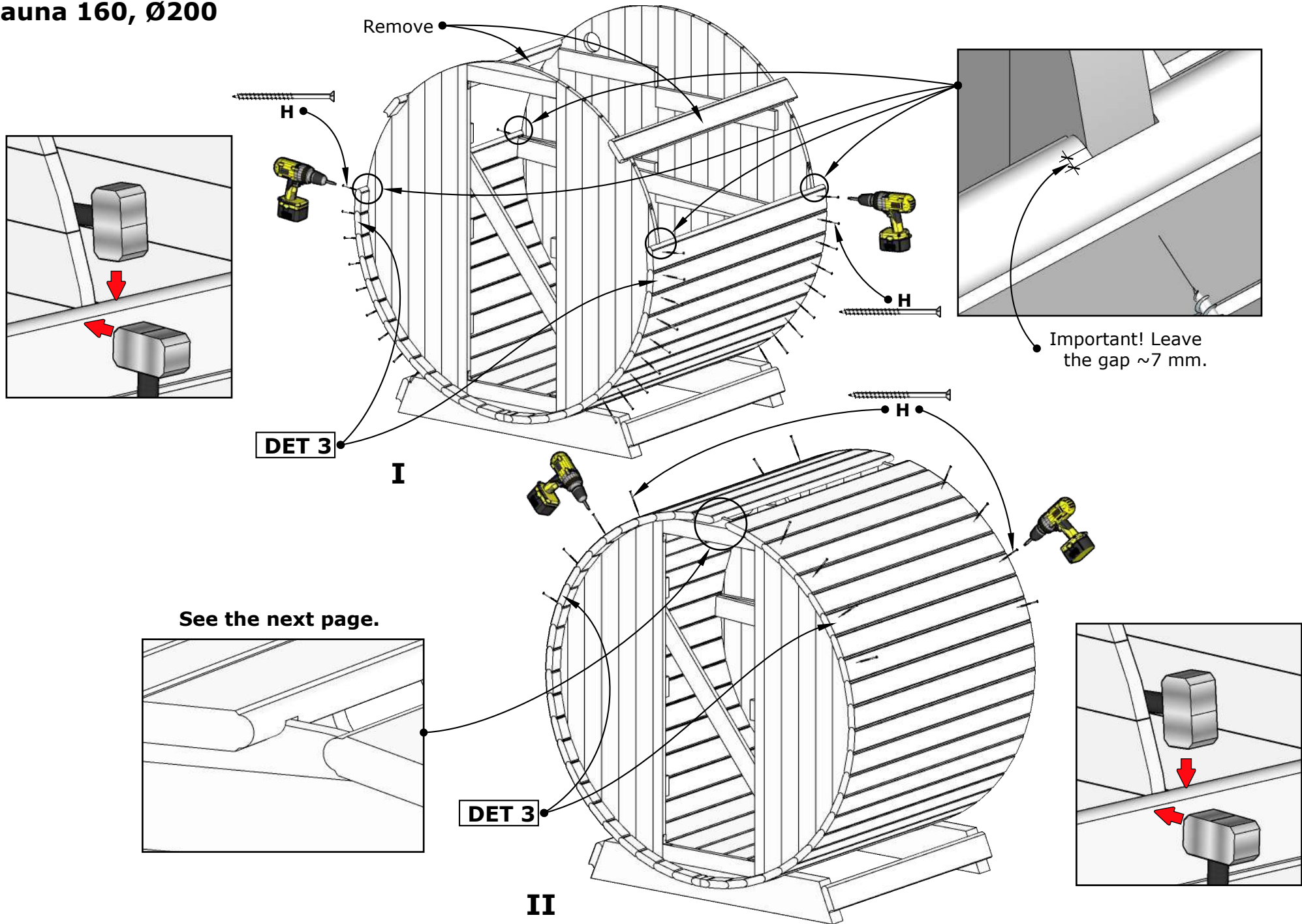
Fix temporarily to support walls.



Important! Leave the gap ~7 mm.

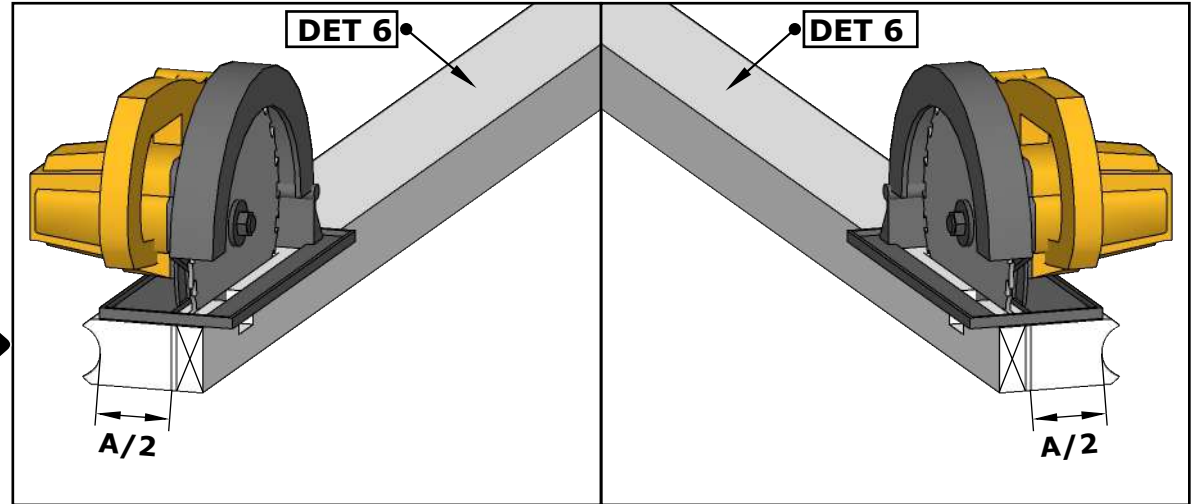
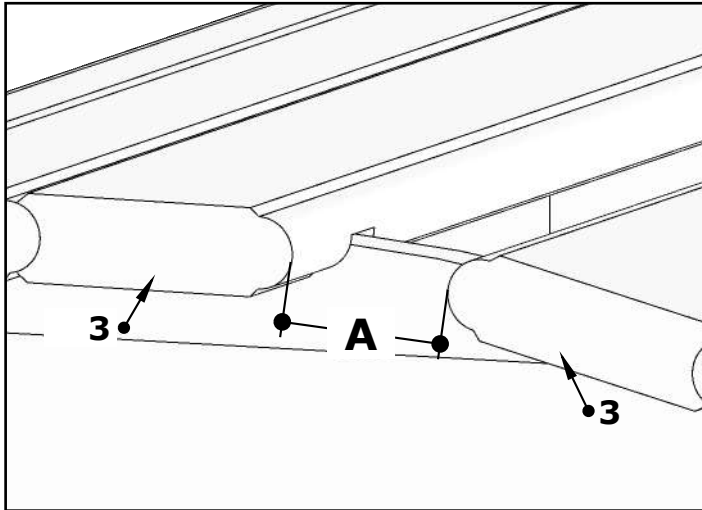


Sauna 160, Ø200

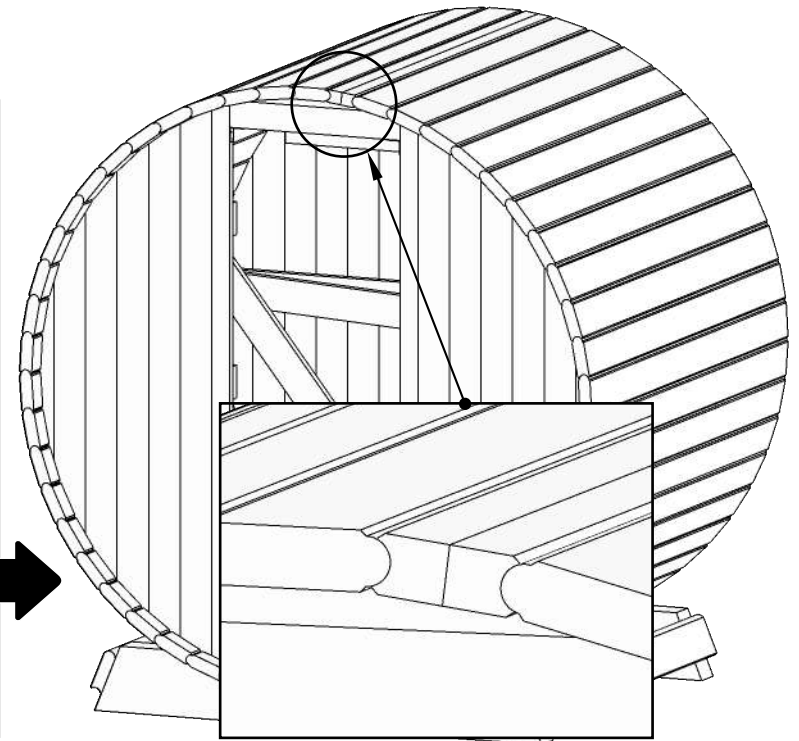
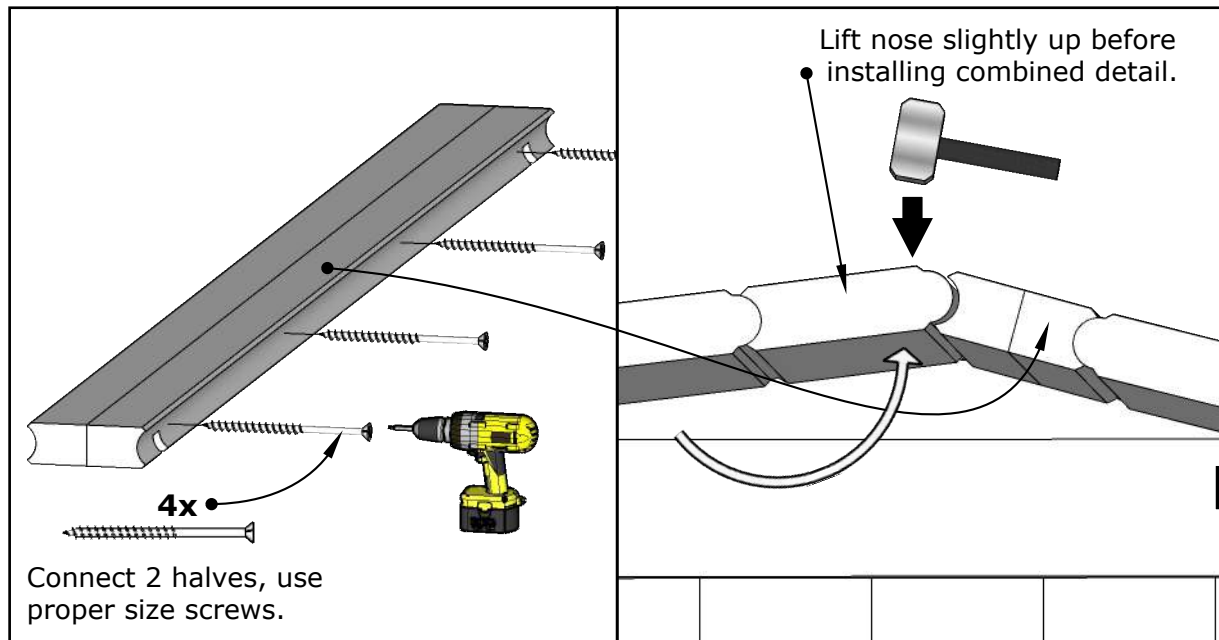


See the next page.

Sauna 160, Ø200



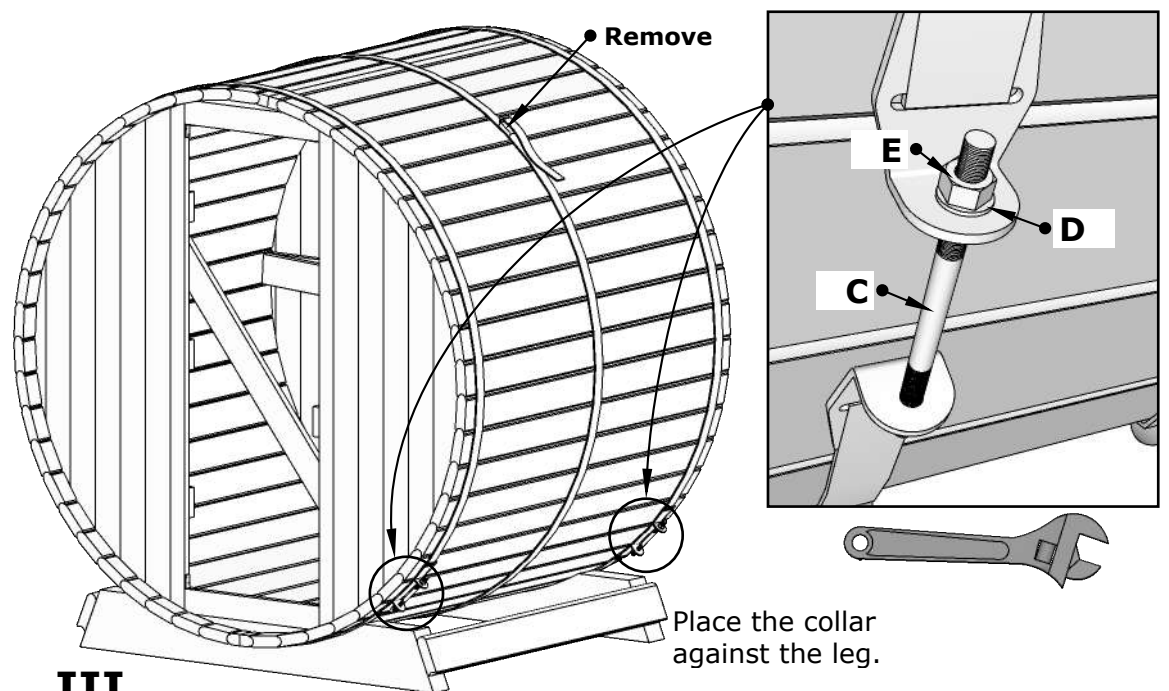
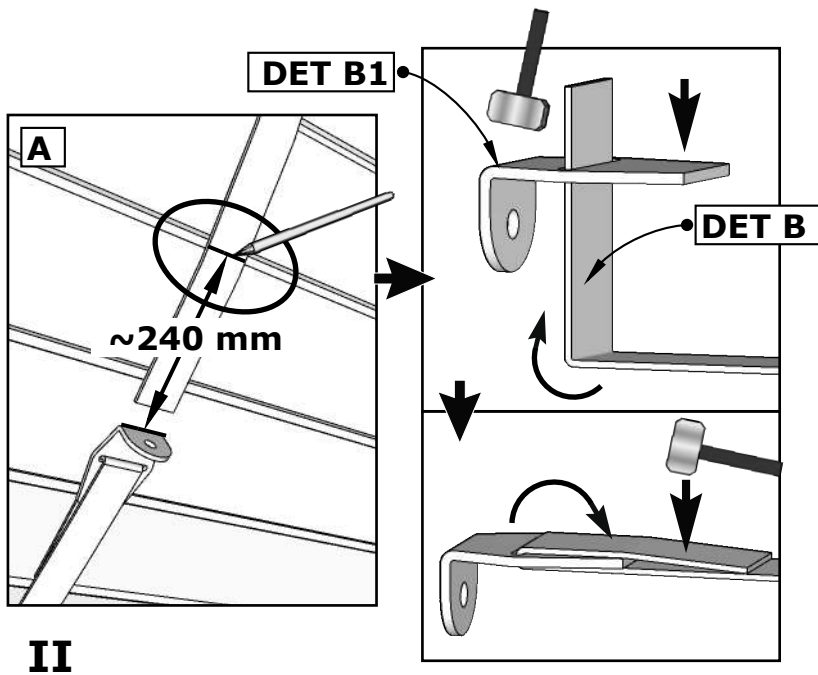
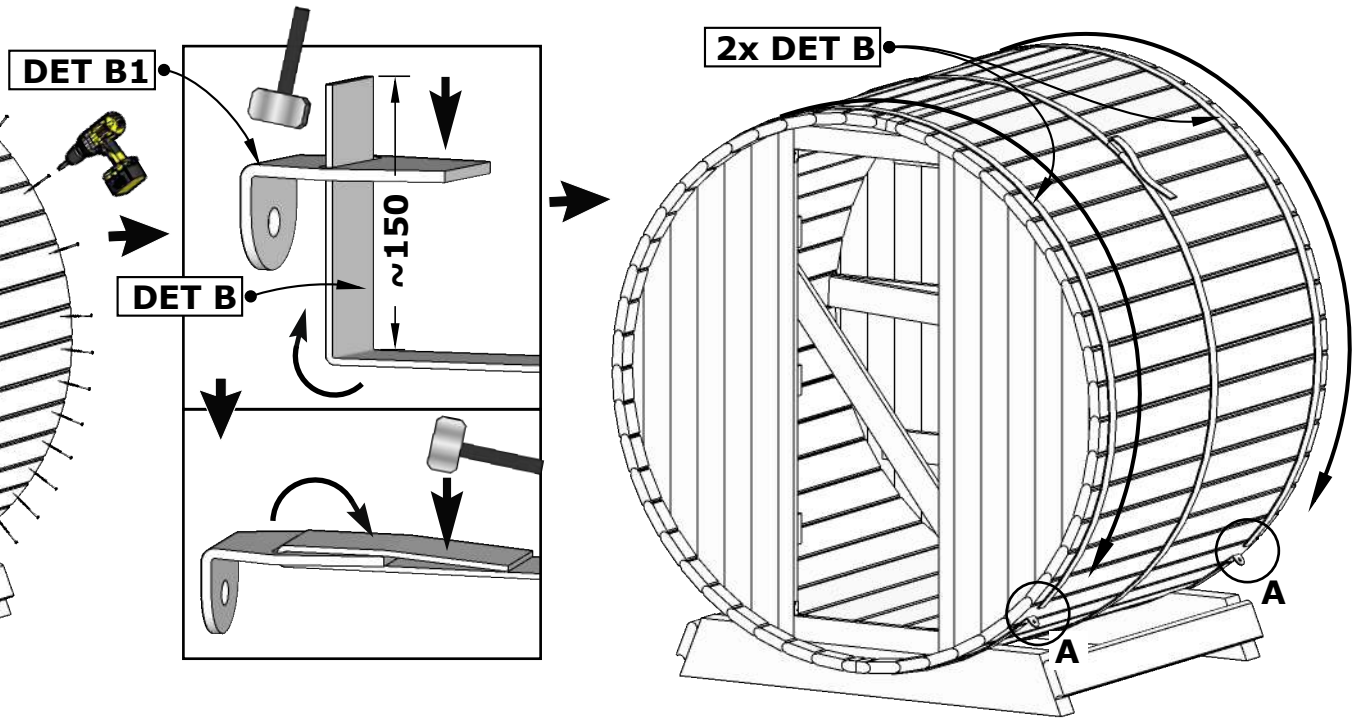
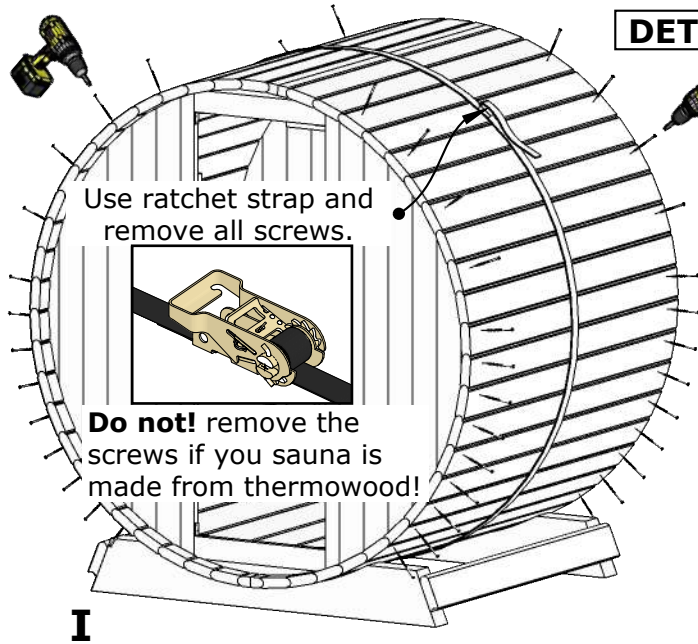
I



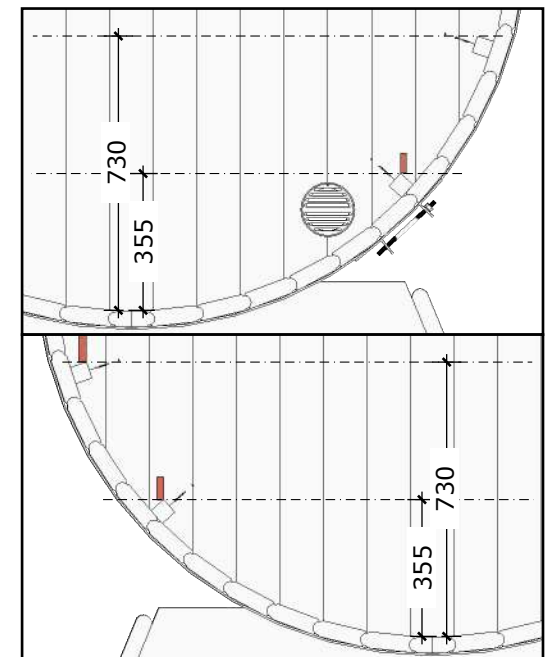
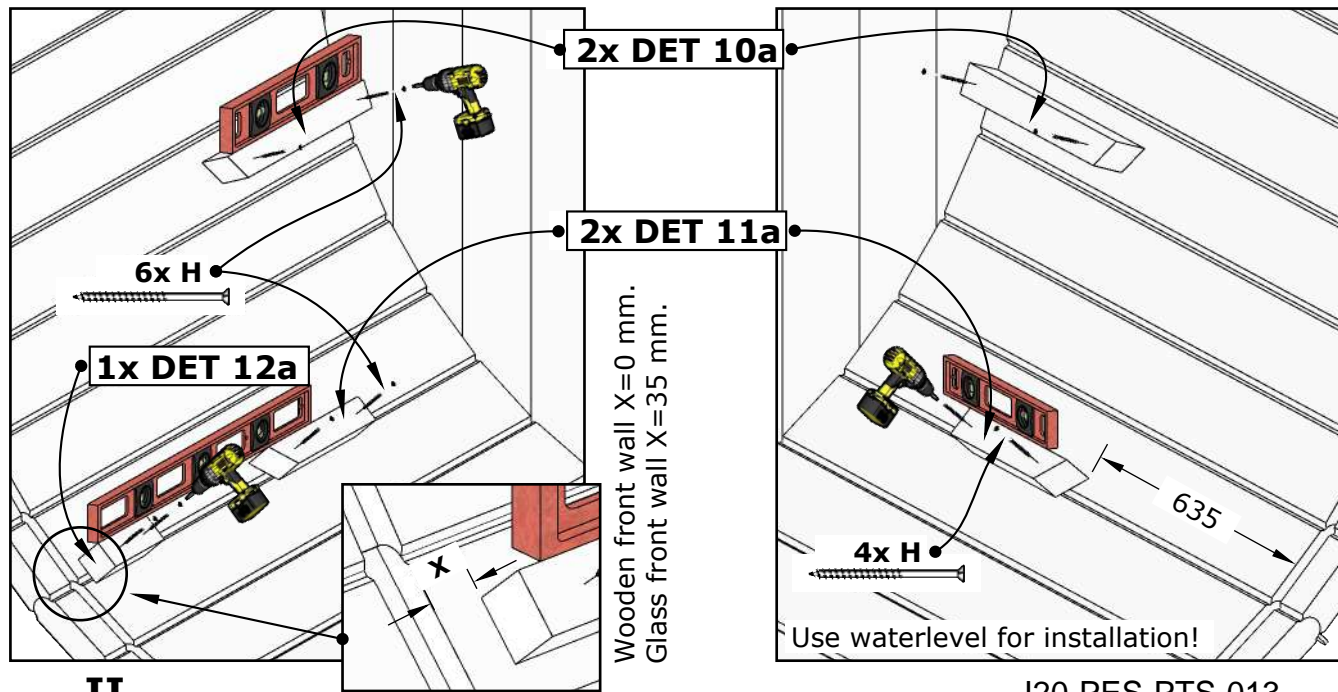
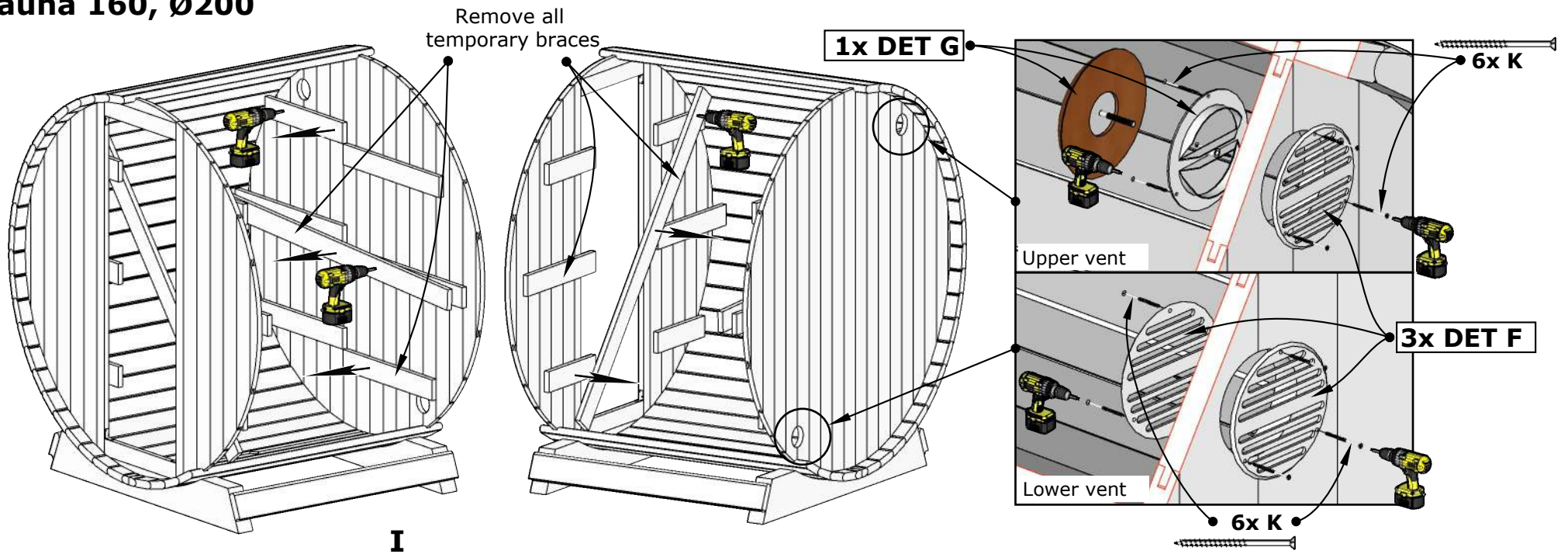
II

6.

Sauna 160, Ø200

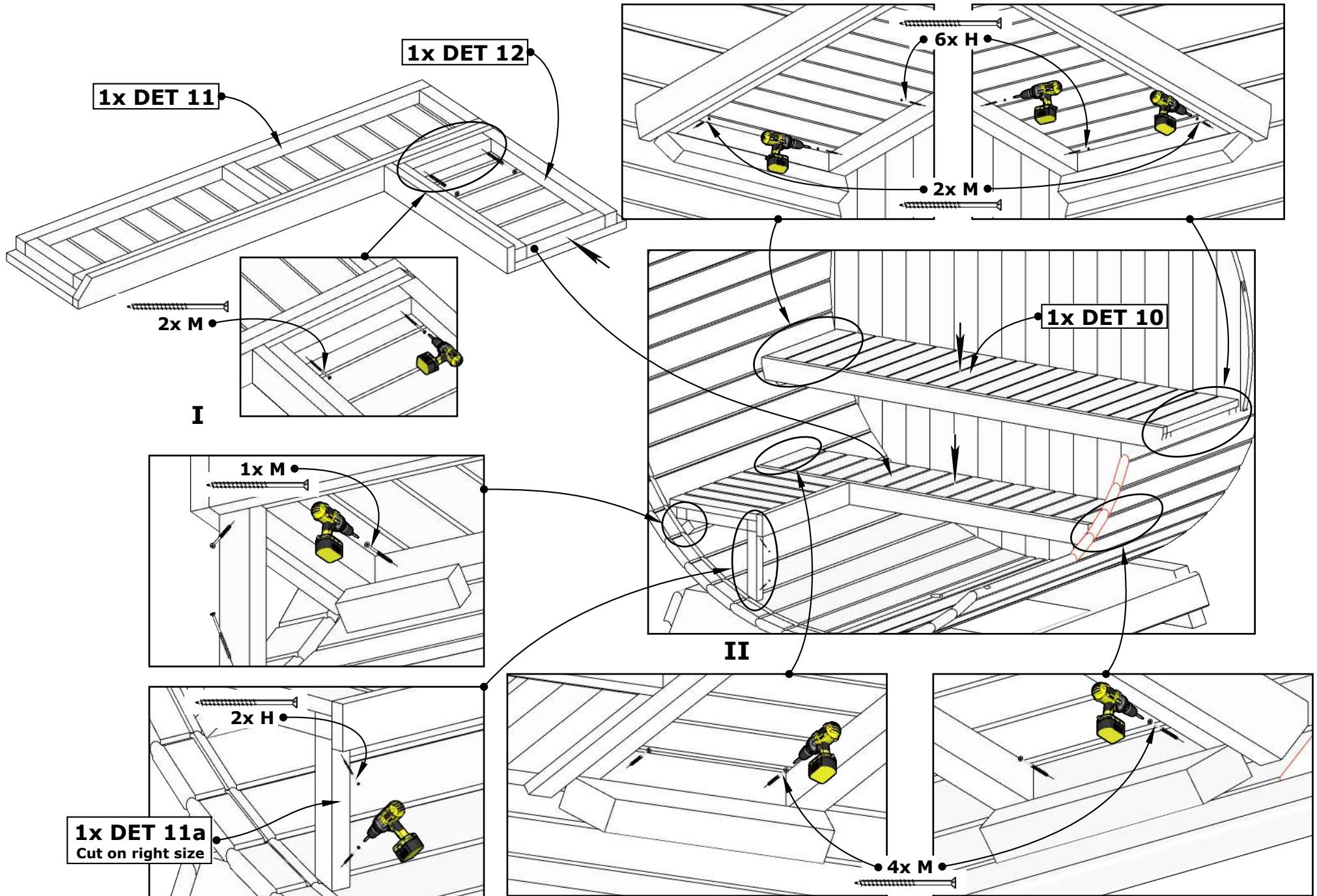


Sauna 160, Ø200

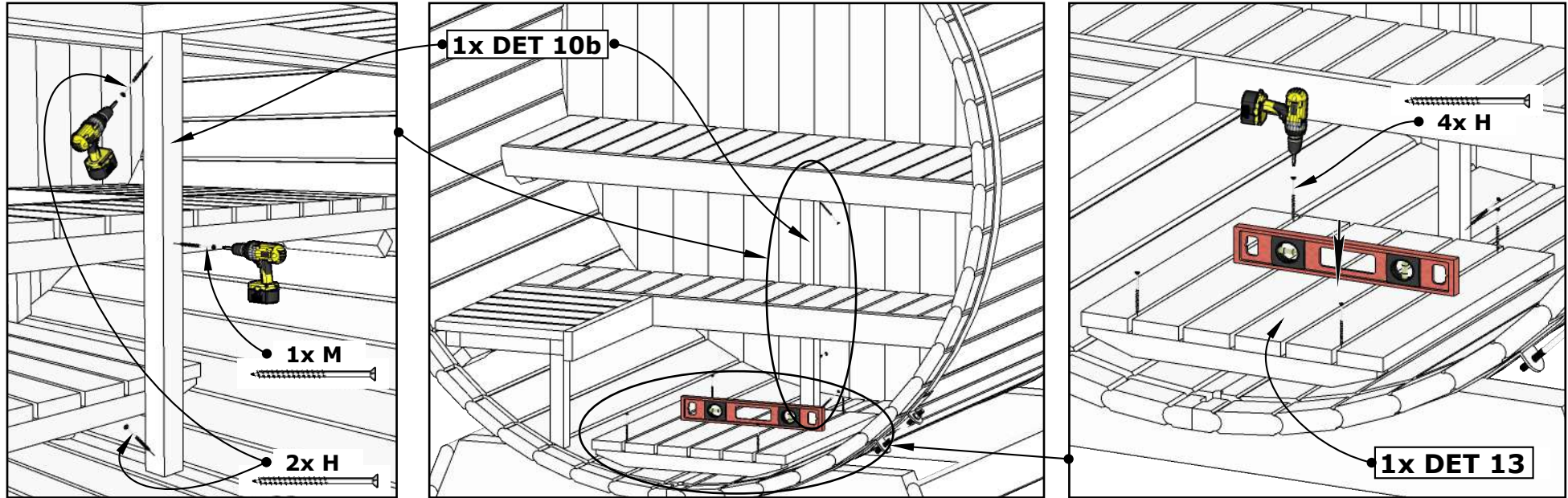


Use waterlevel for installation!

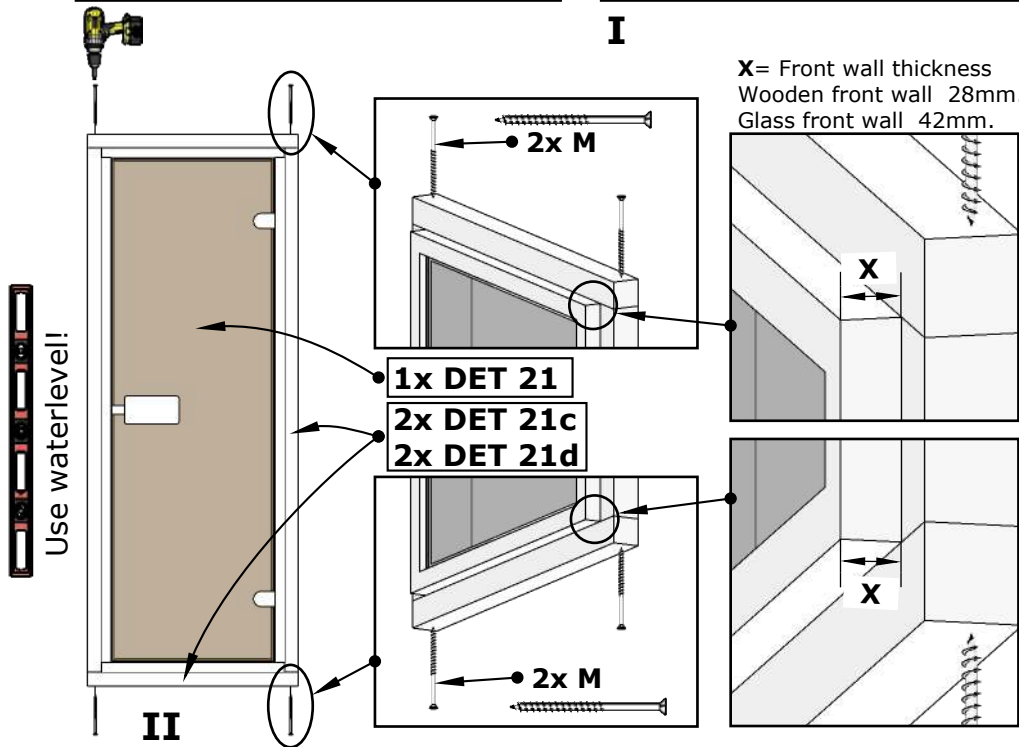
Sauna 160, Ø200



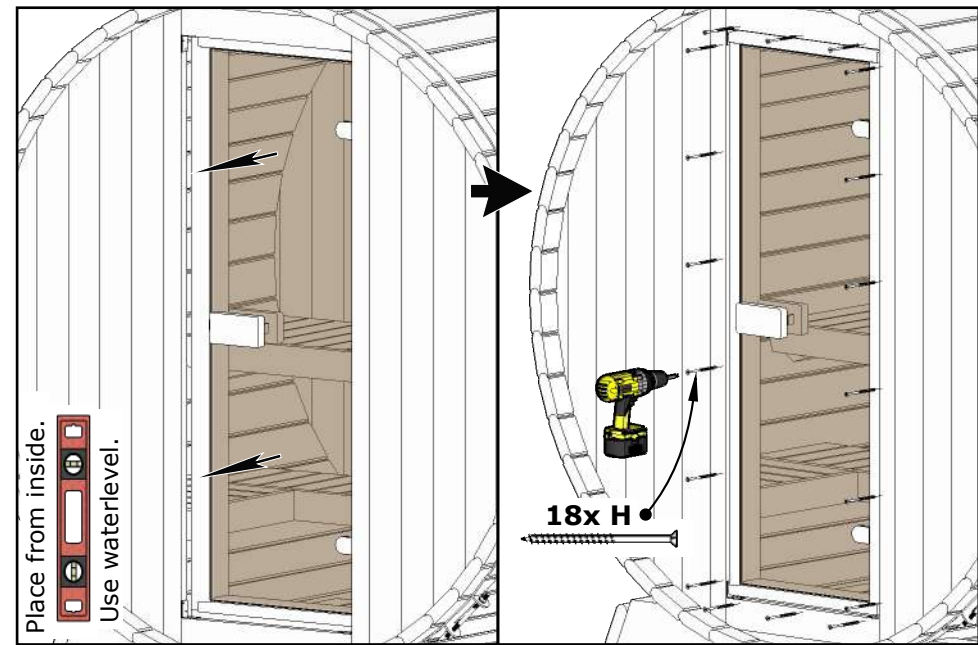
Sauna 160, Ø200



I



II



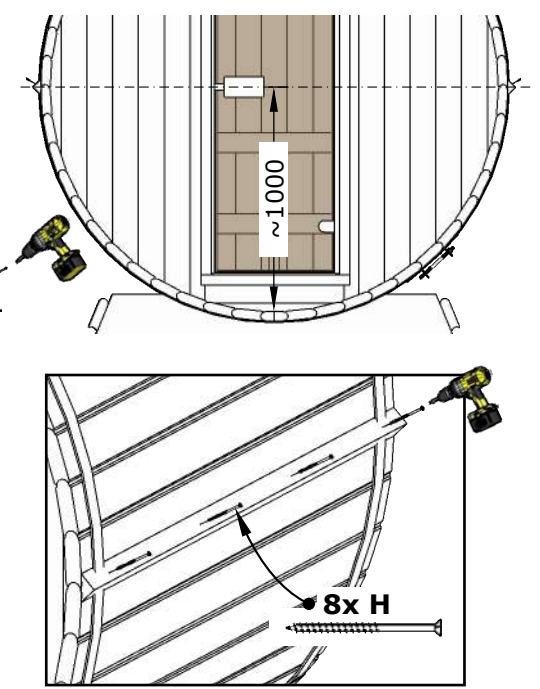
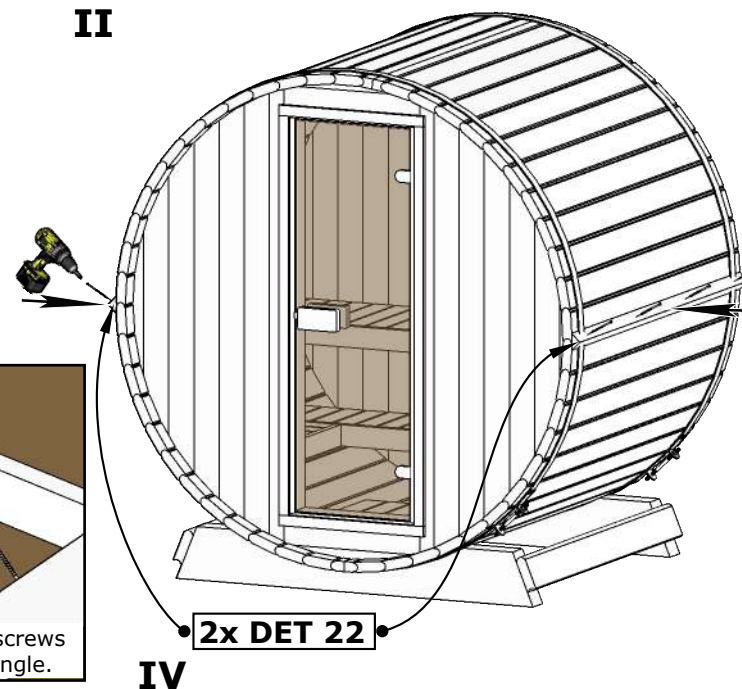
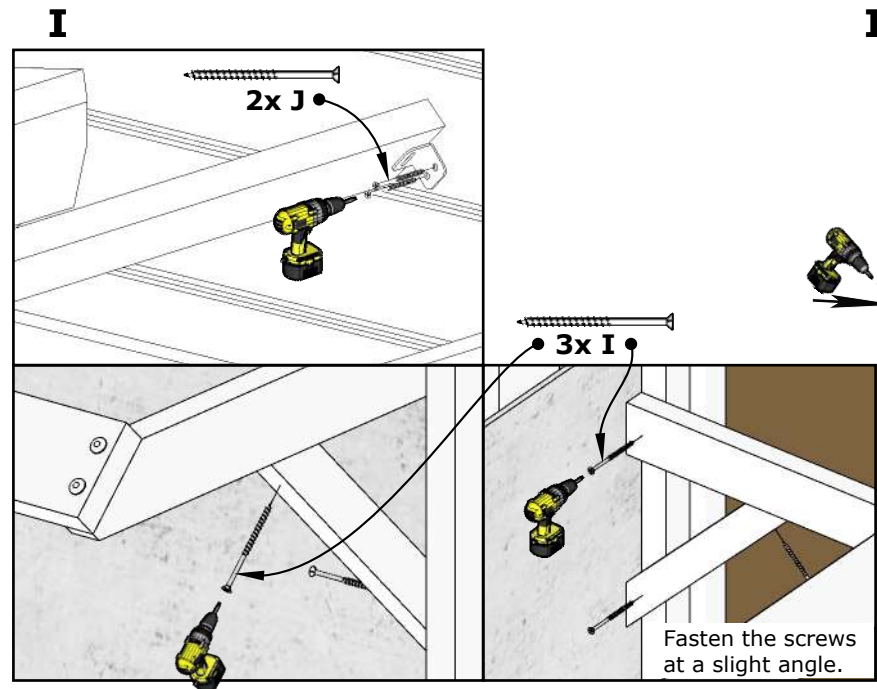
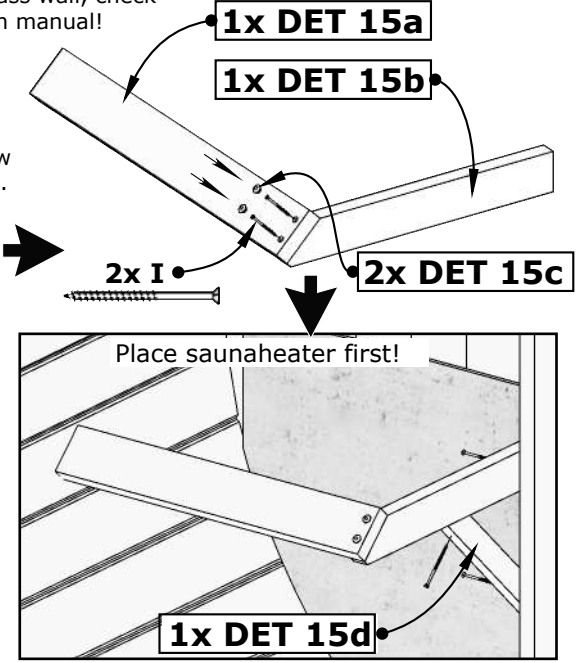
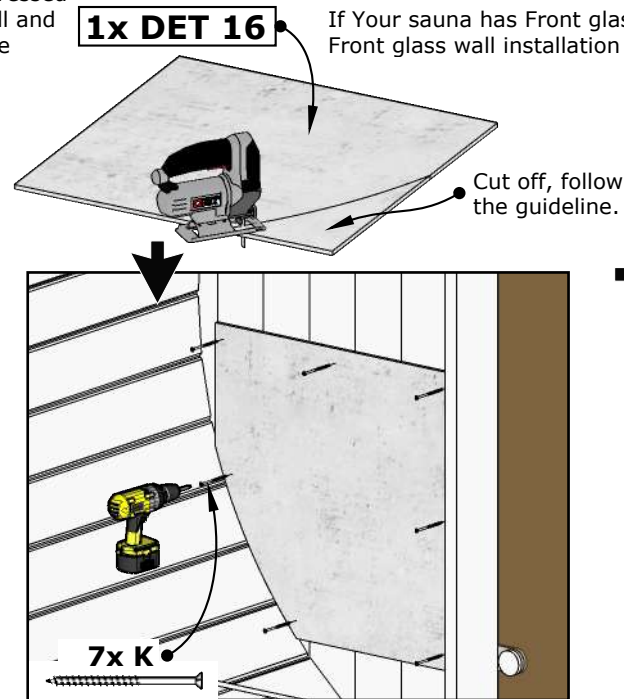
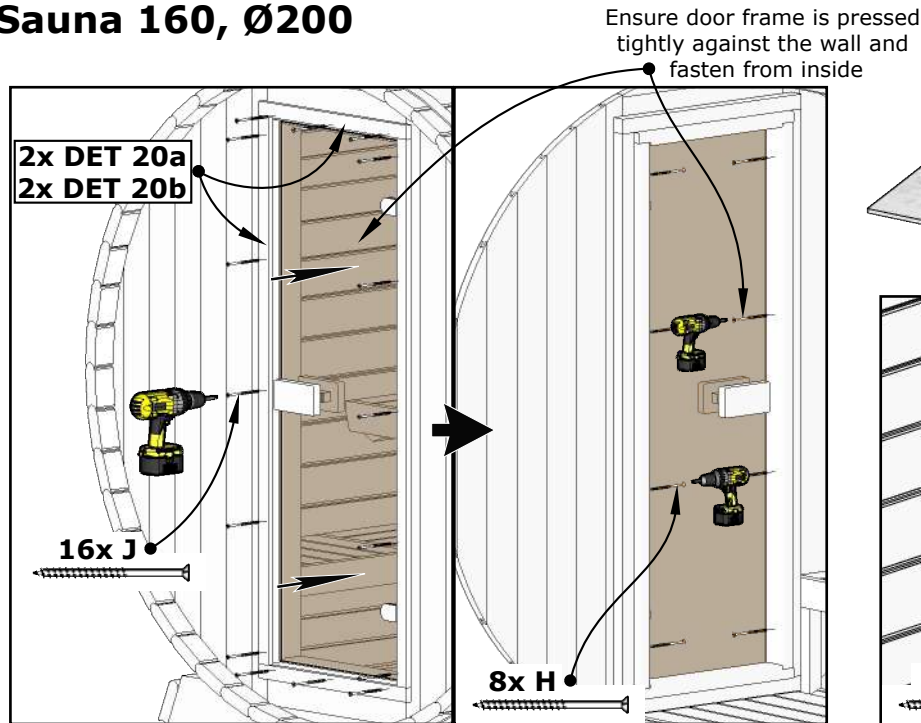
Place from inside.
Use waterlevel.

18x H

10.

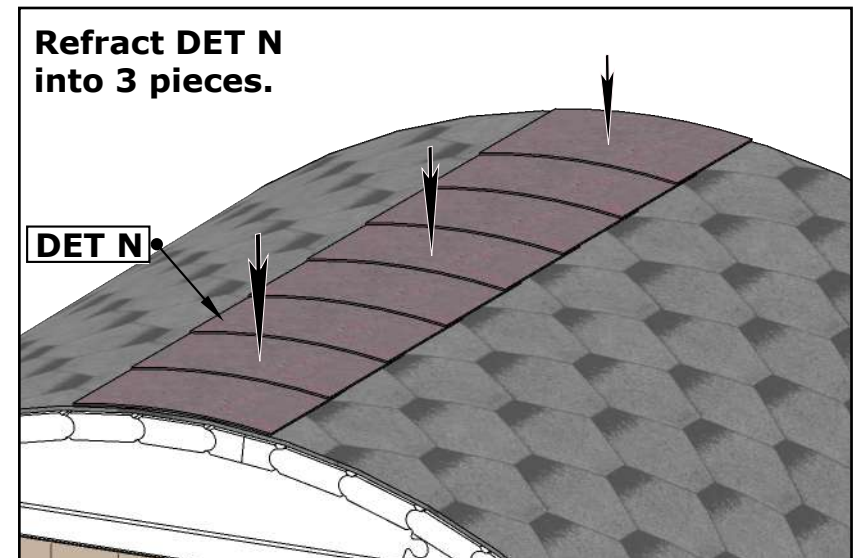
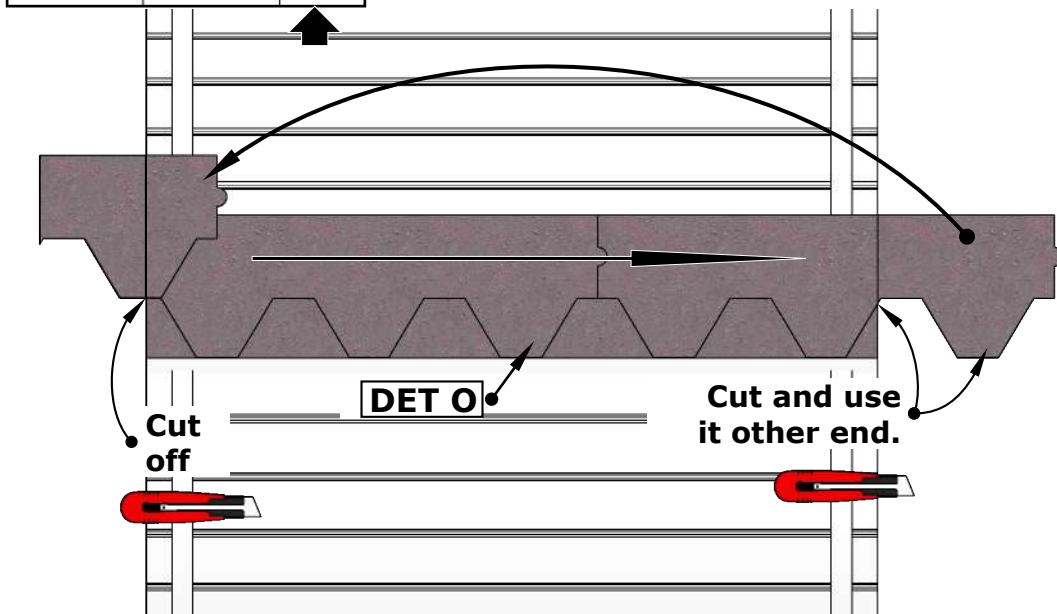
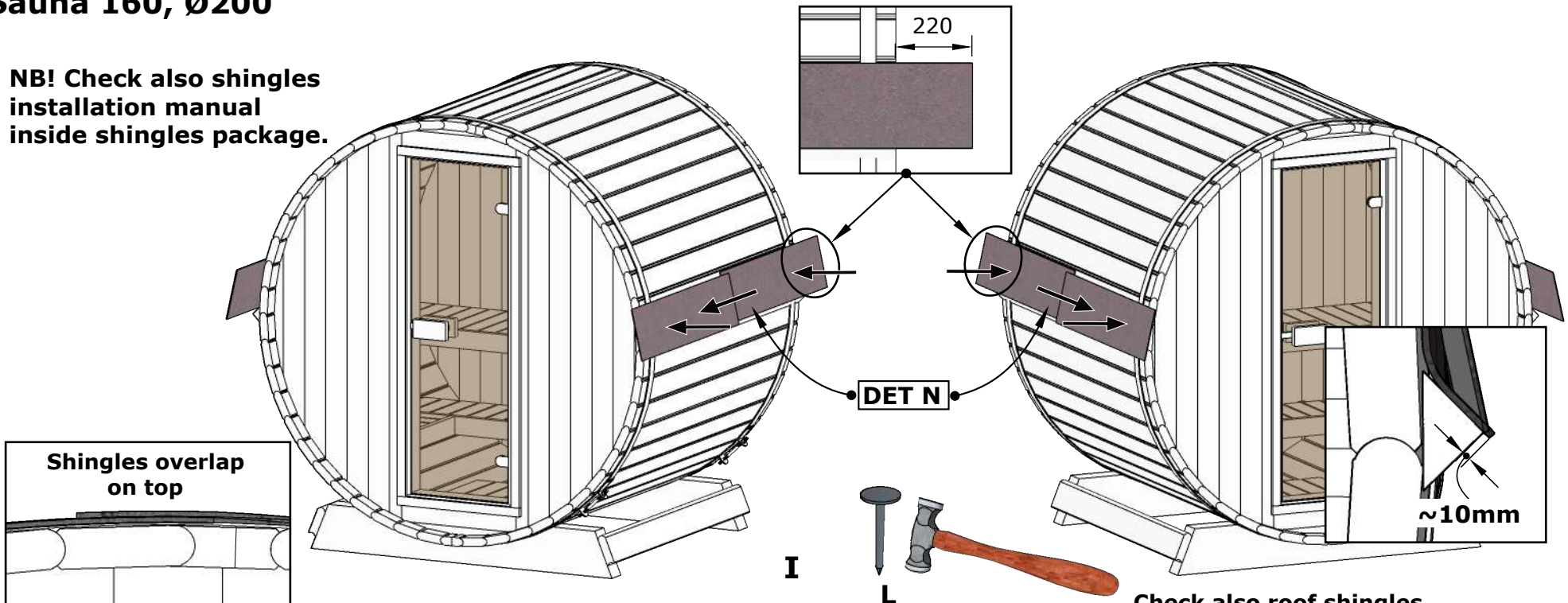
I20-PES-PTS-013

Sauna 160, Ø200



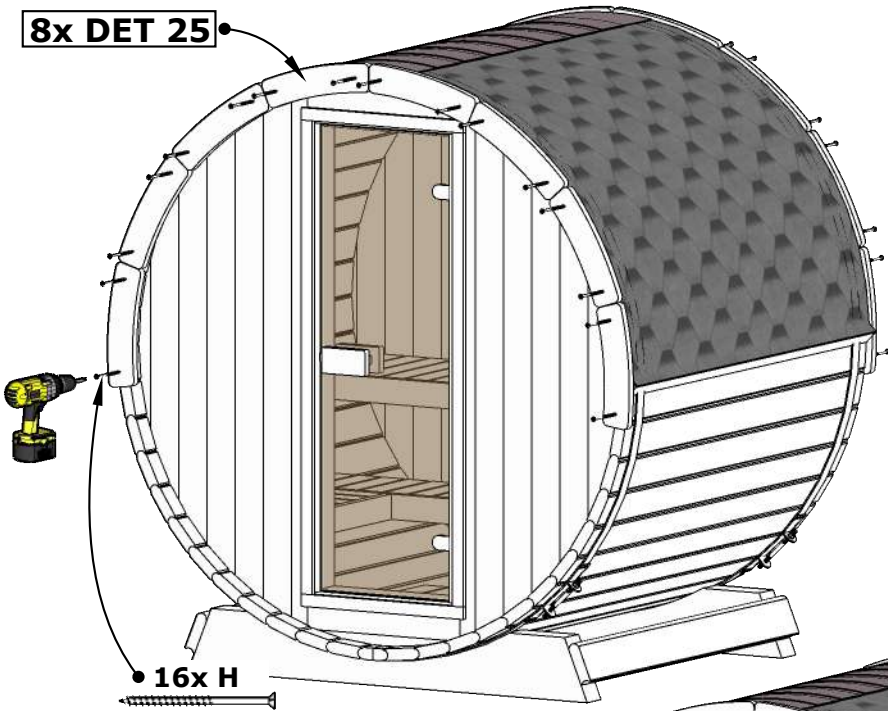
Sauna 160, Ø200

NB! Check also shingles installation manual inside shingles package.



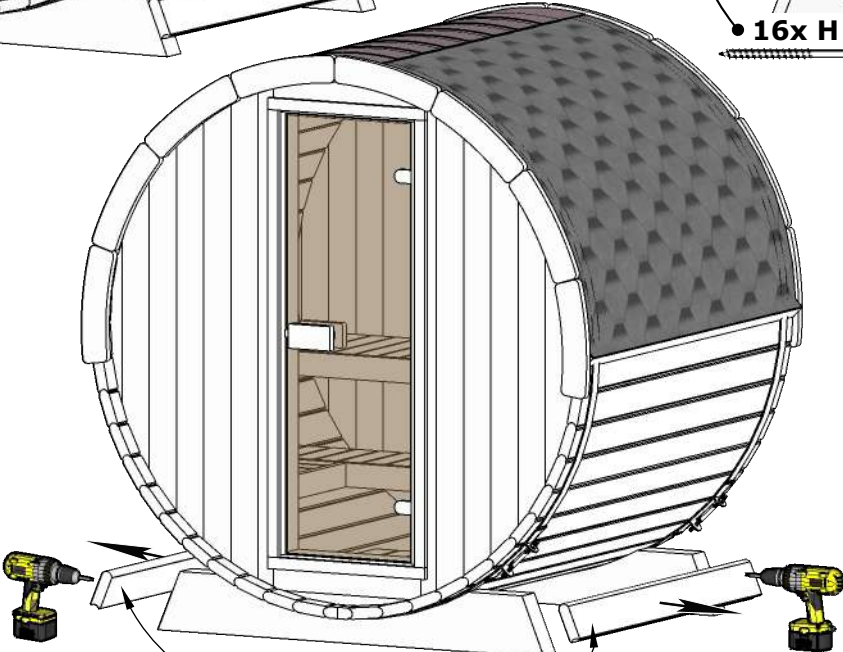
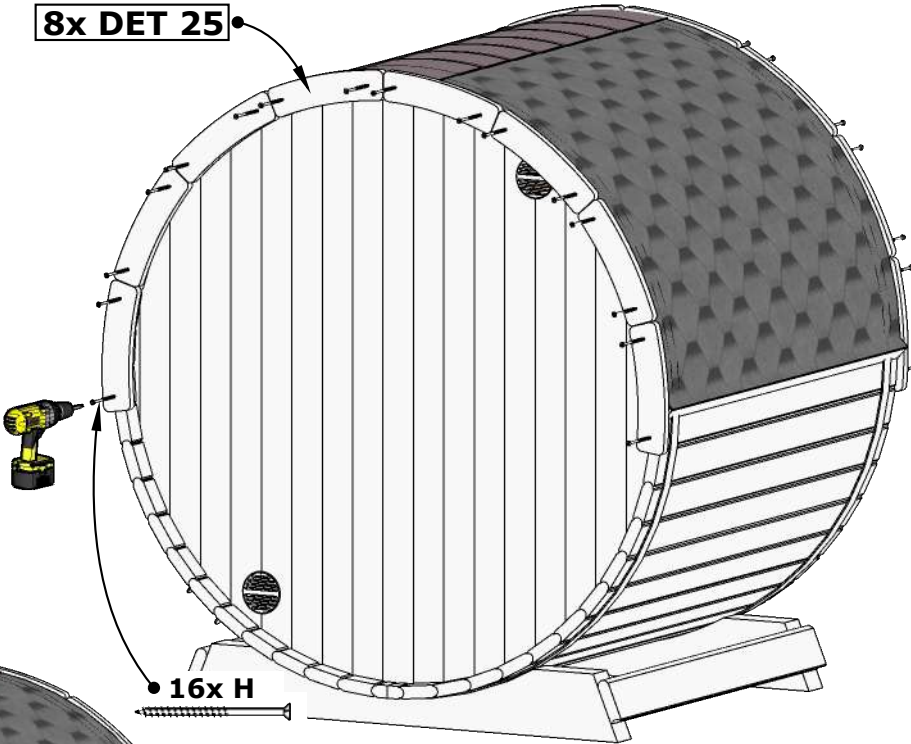
Sauna 160, Ø200

8x DET 25



I

8x DET 25



II

Remove DET A