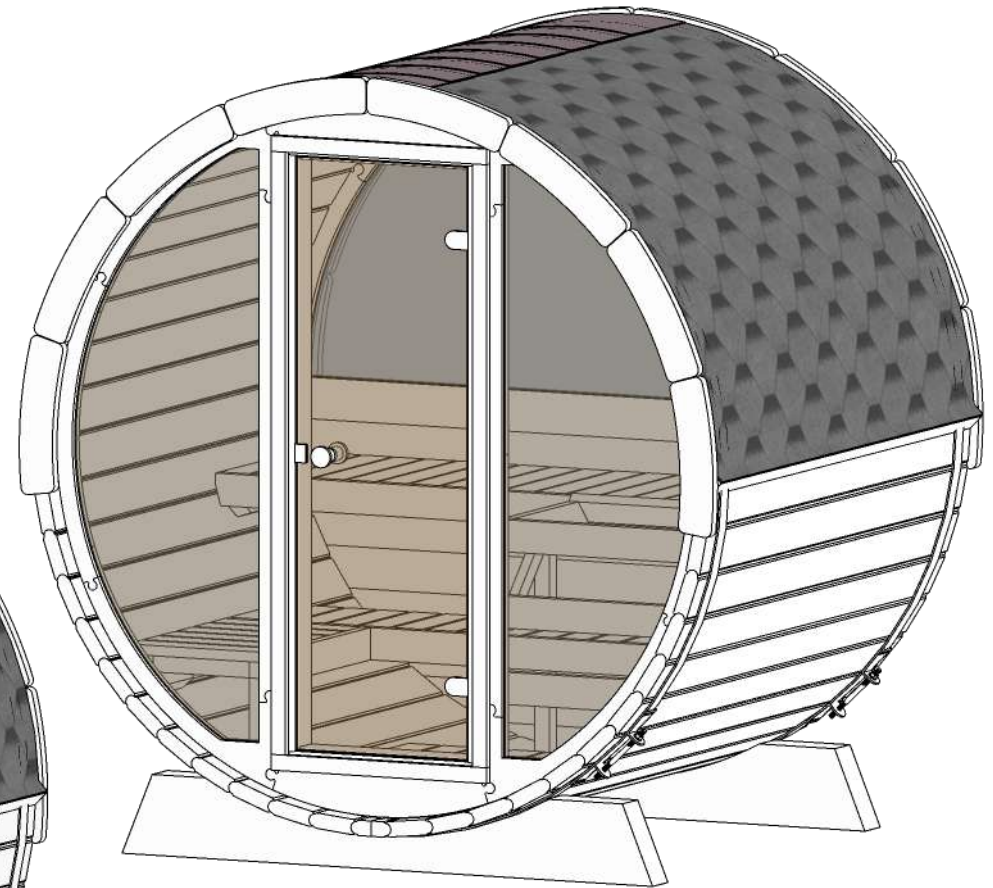
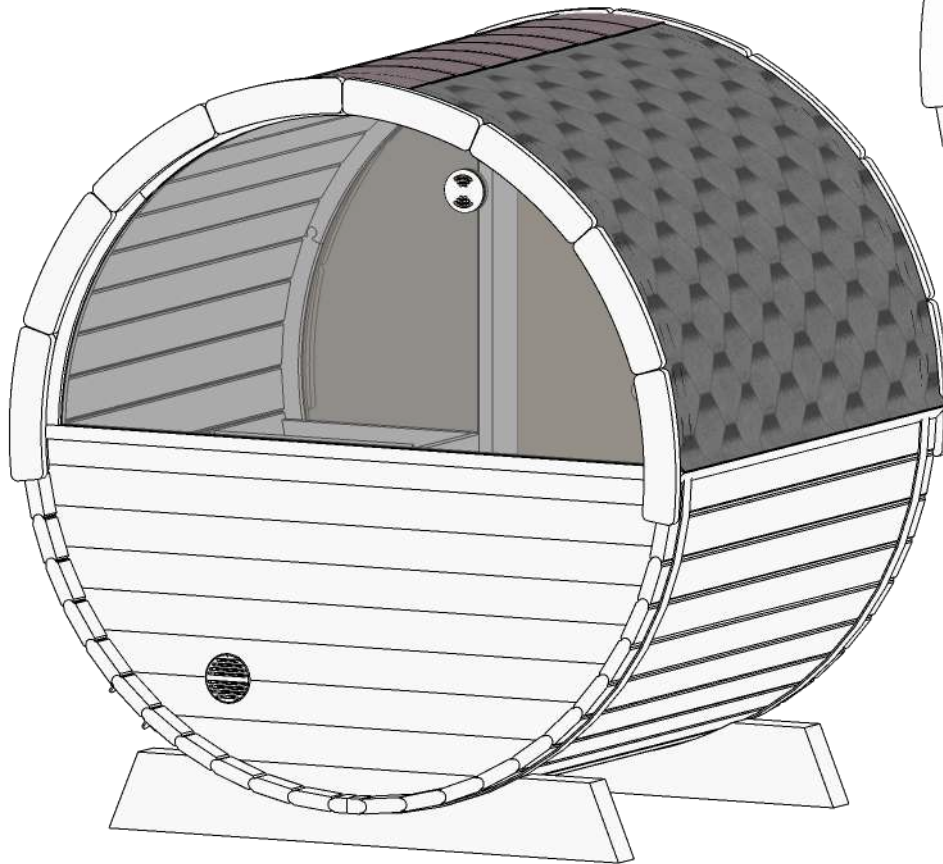


Sauna 160, Ø200

**NB! Please read whole manual
before start.**

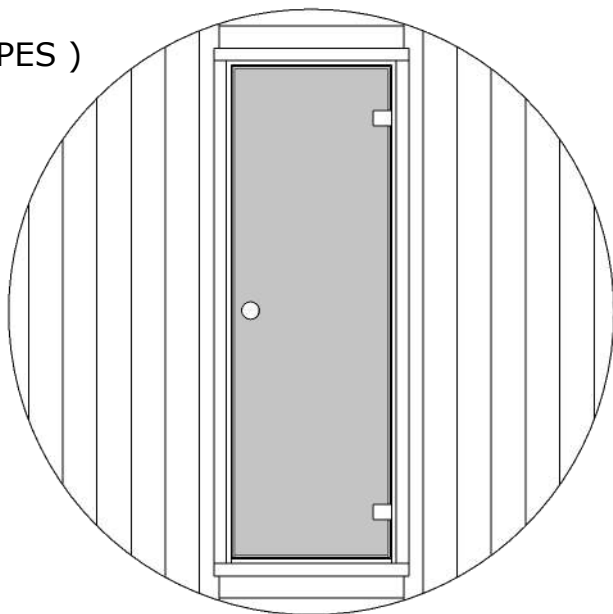
**All given measurements
are in millimeters!**



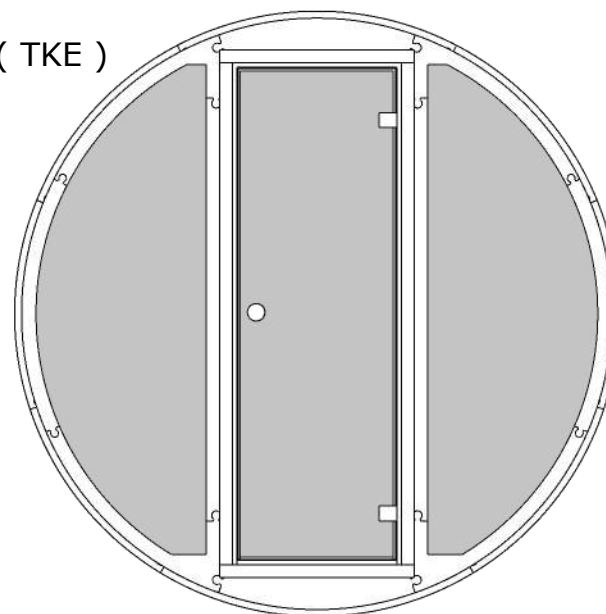
Sauna 160, Ø200

Walls configuration.

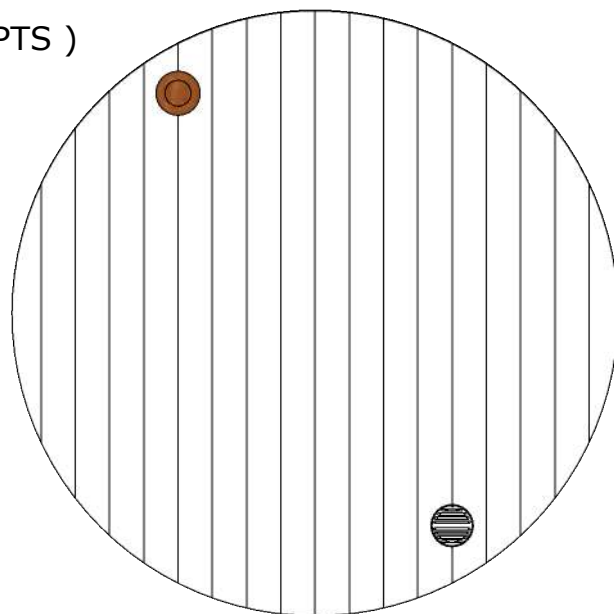
(PES)



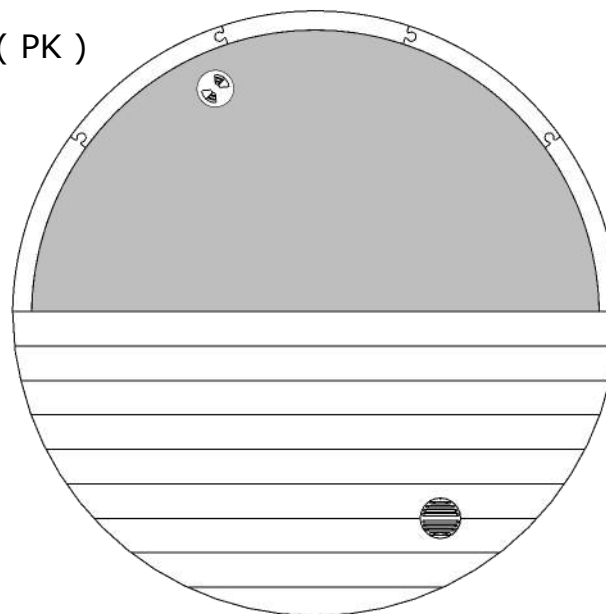
(TKE)



(PTS)

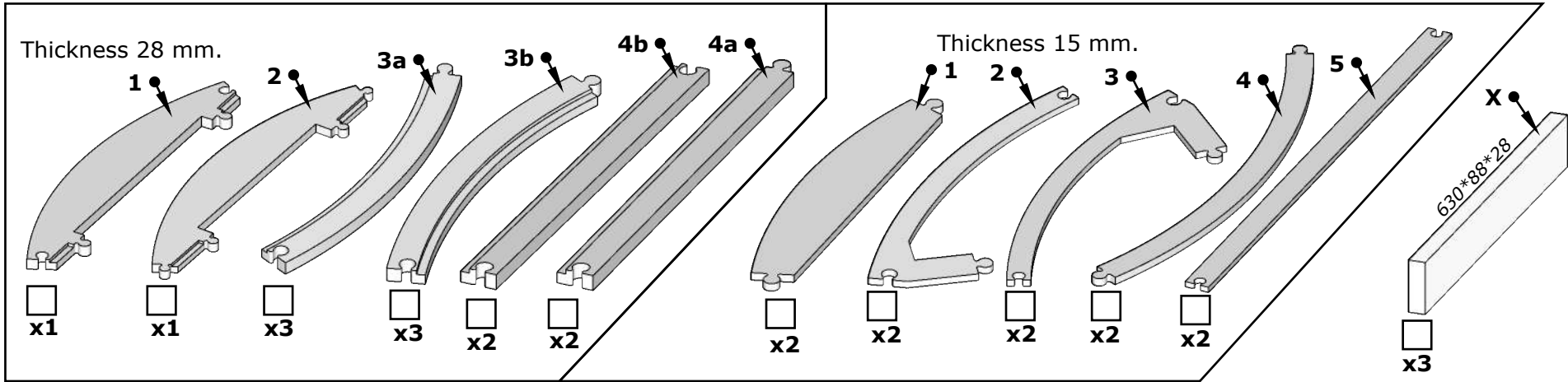


(PK)



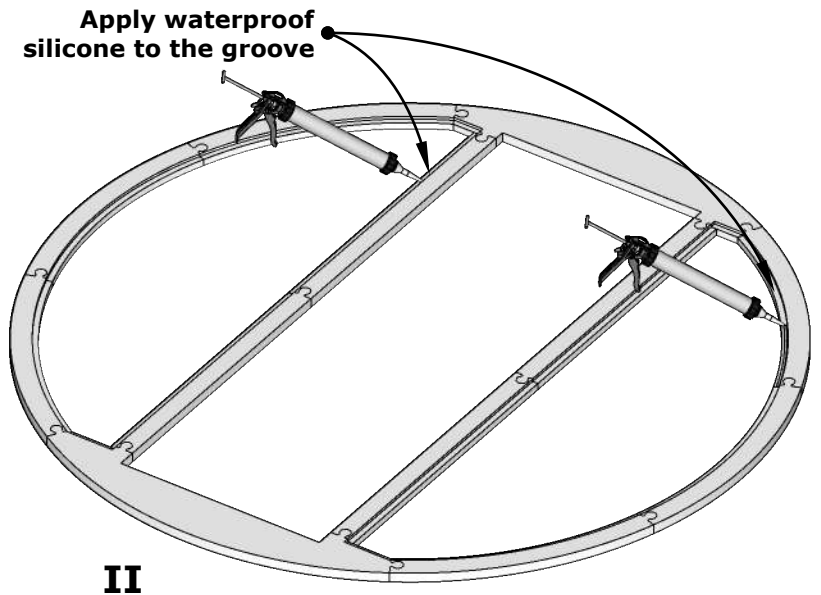
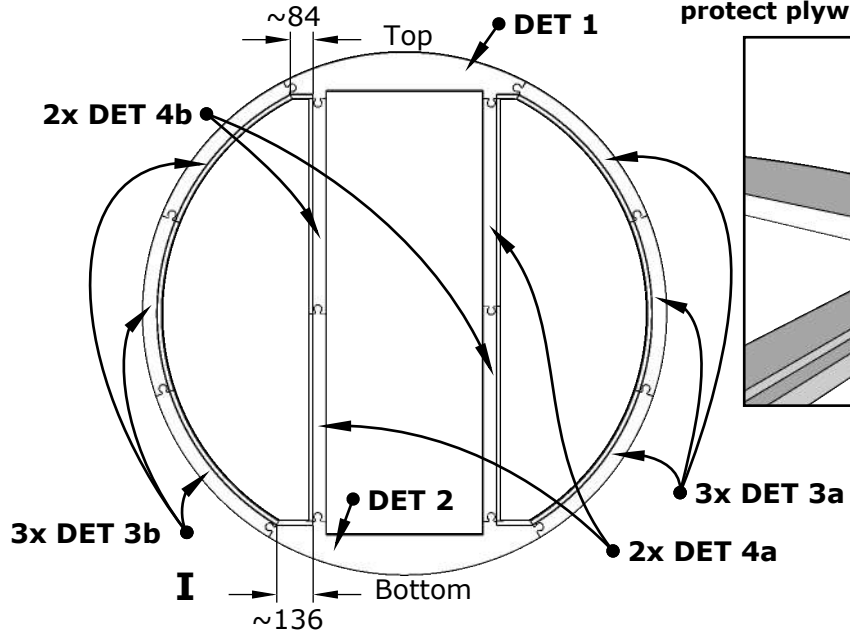
I20-TKE-PK-013

Front glass wall installation Ø200

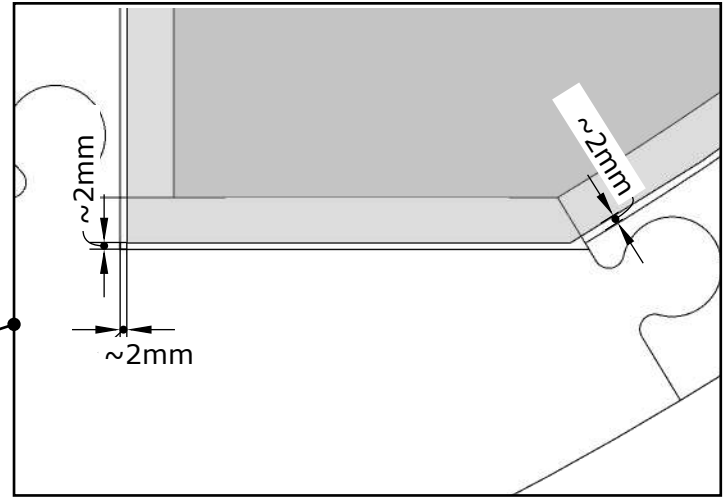
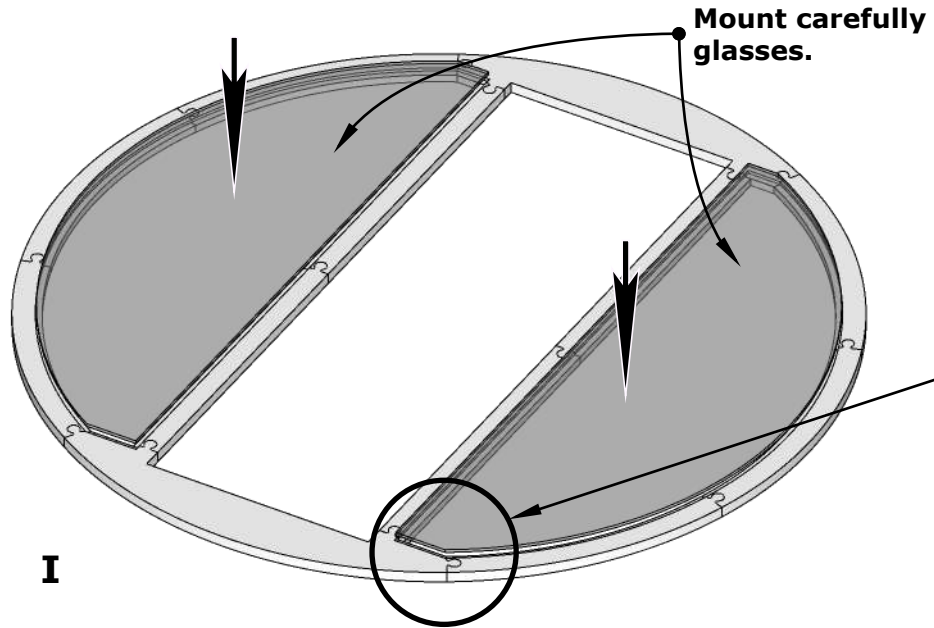


Baseframe 28mm.

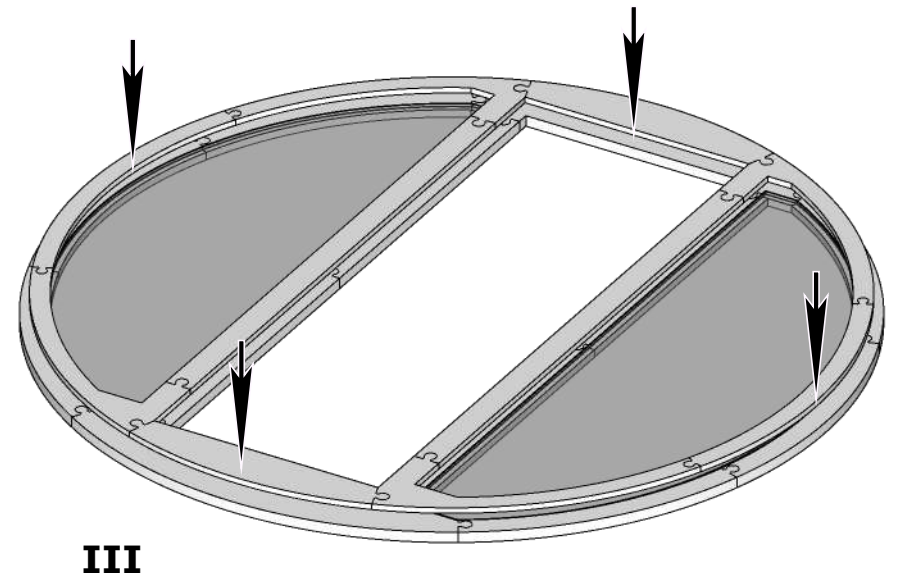
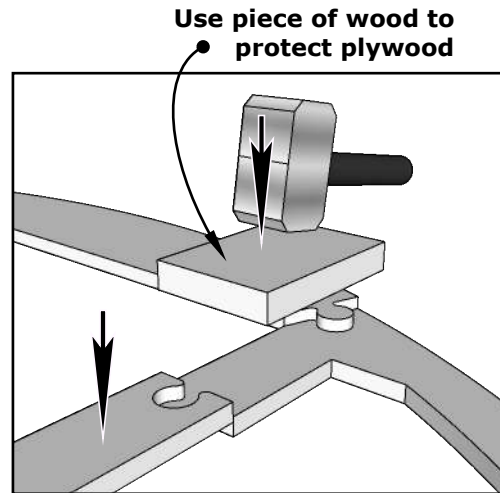
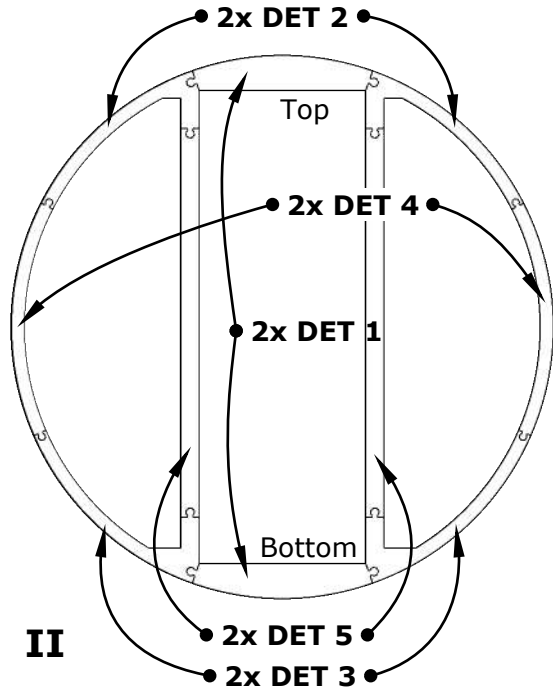
Use piece of wood to protect plywood



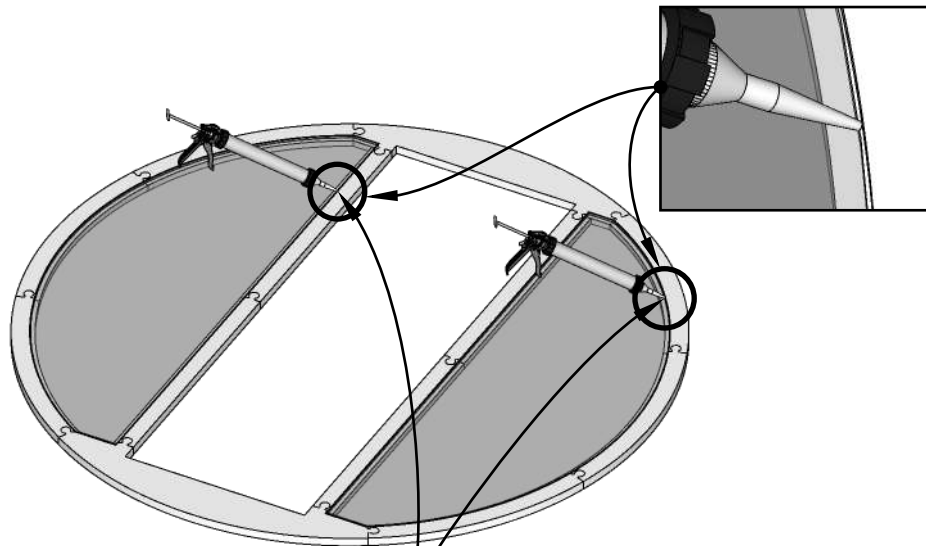
Front glass wall installation Ø200



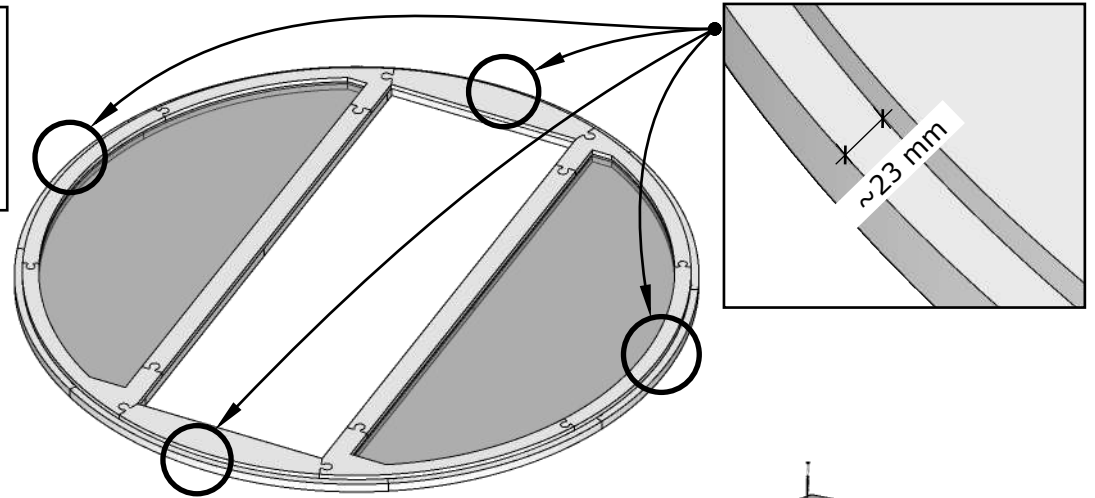
Coverframe 15mm.



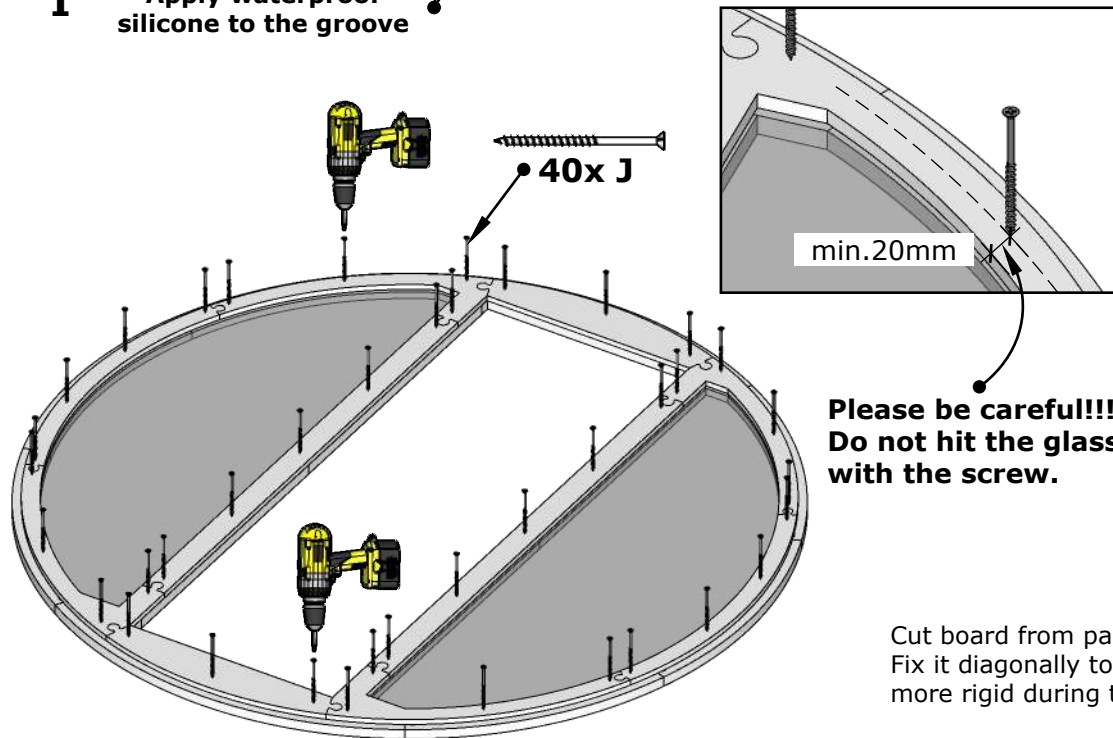
Front glass wall installation Ø200



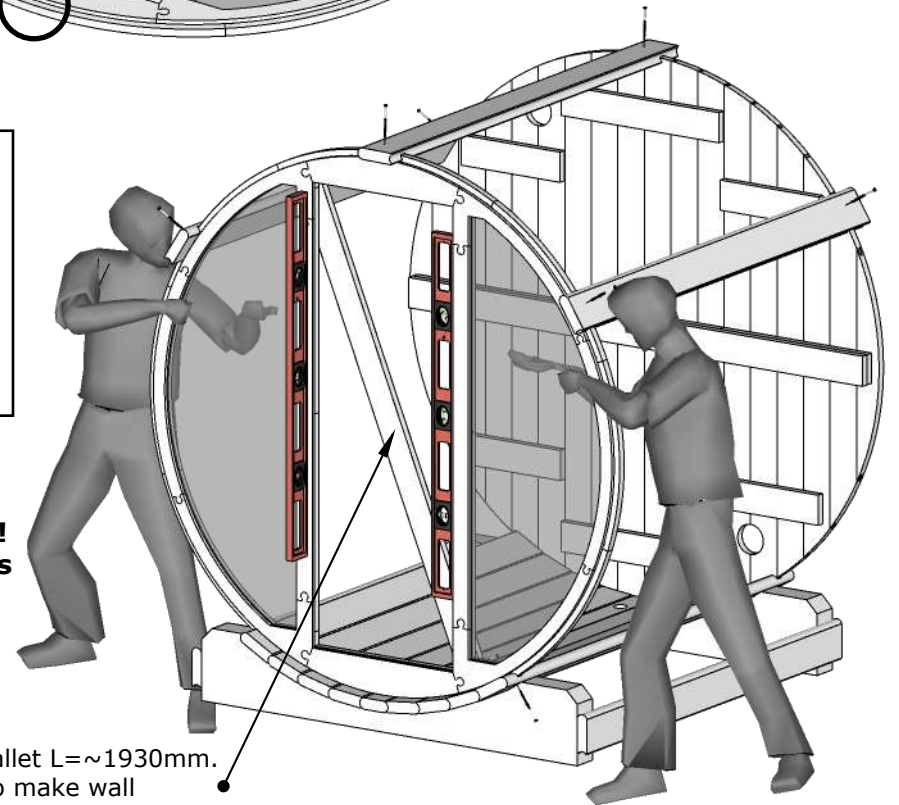
I Apply waterproof silicone to the groove



II



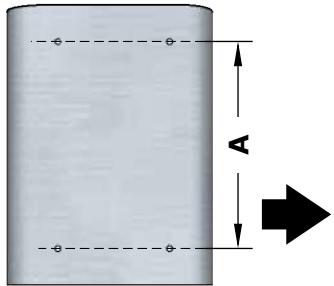
**Please be careful!!!
Do not hit the glass
with the screw.**



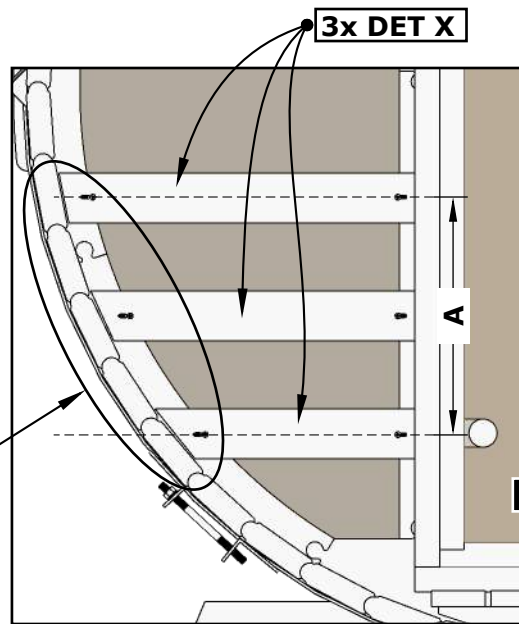
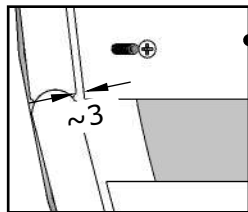
Cut board from pallet L ≈ 1930 mm.
Fix it diagonally to make wall
more rigid during the installation.

IV

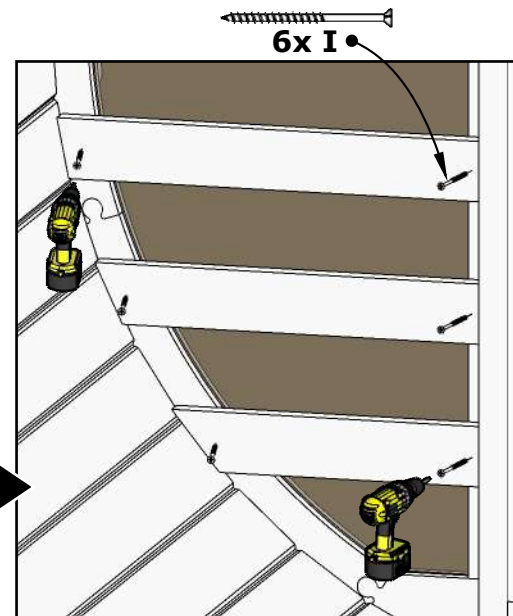
Front glass wall installation Ø200



NB! Check Your el.heater user manual to find correct measurements and cut DET X to the correct size.

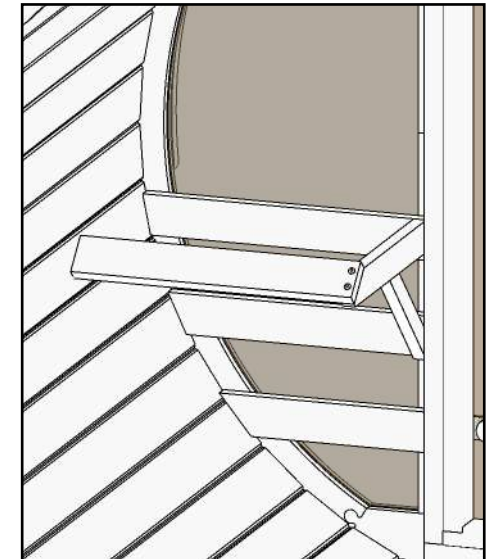


I



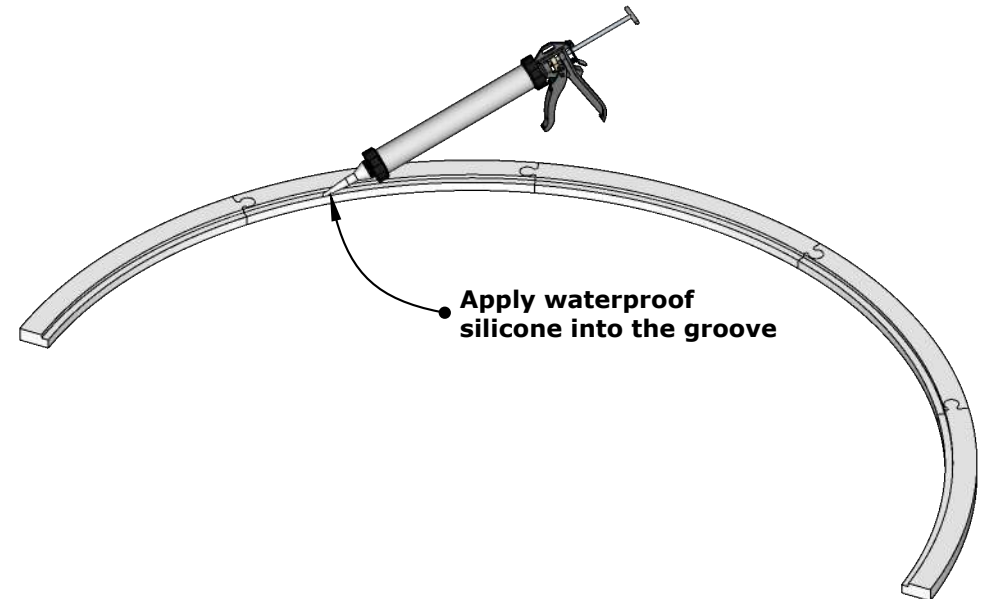
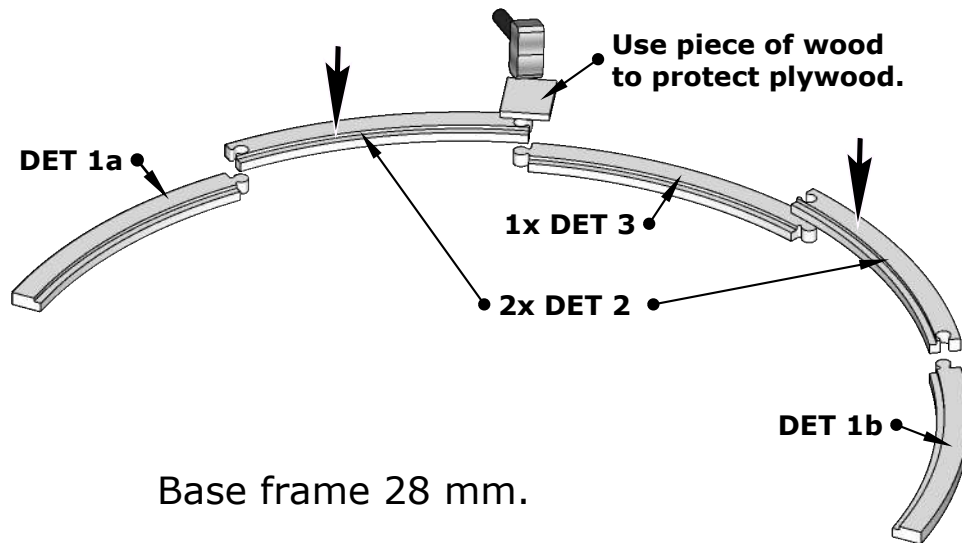
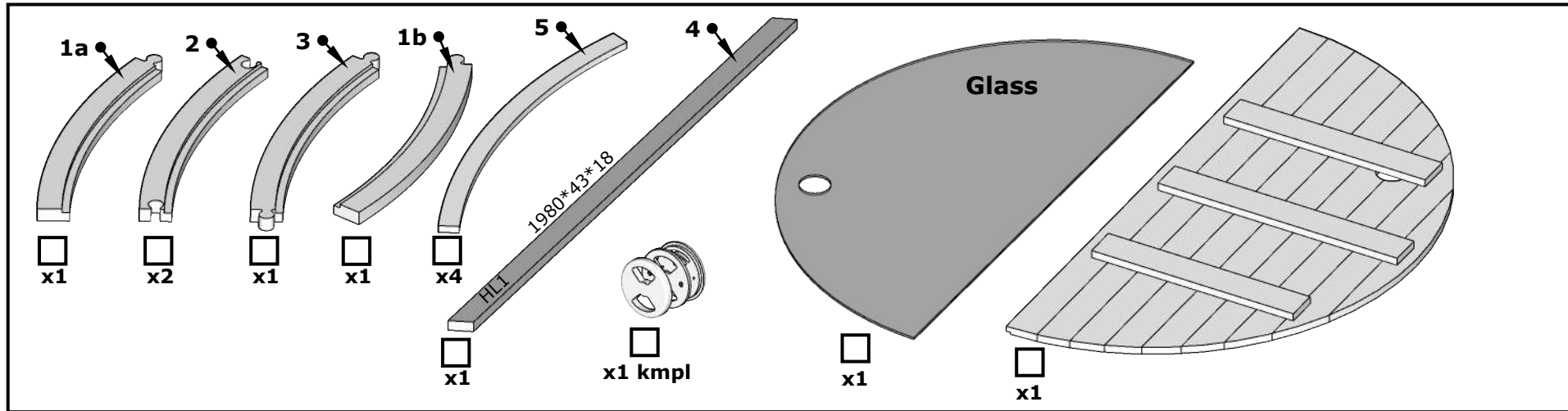
NB! Be careful, do not hit the glass!

Proceed with main installation manual!



Half-moon glass wall mounting

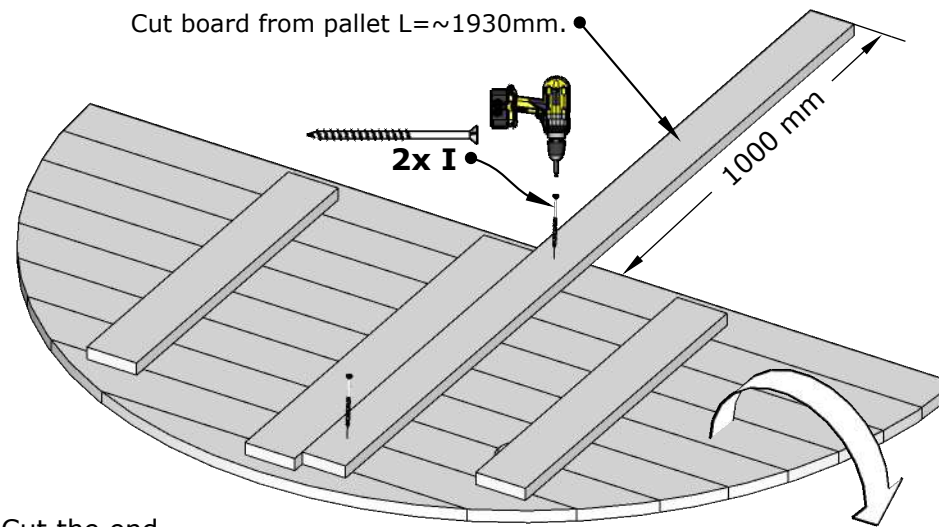
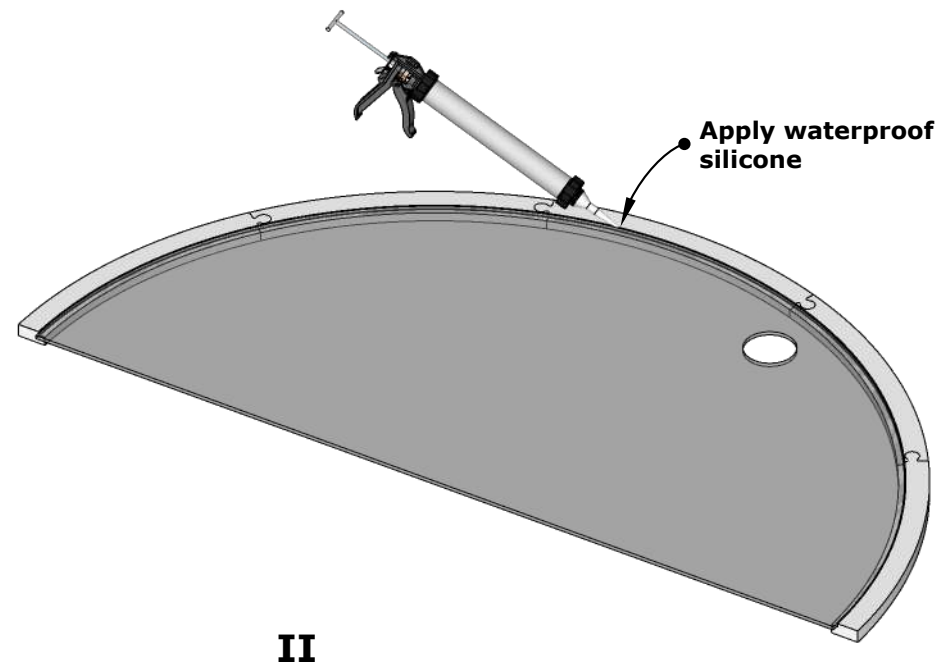
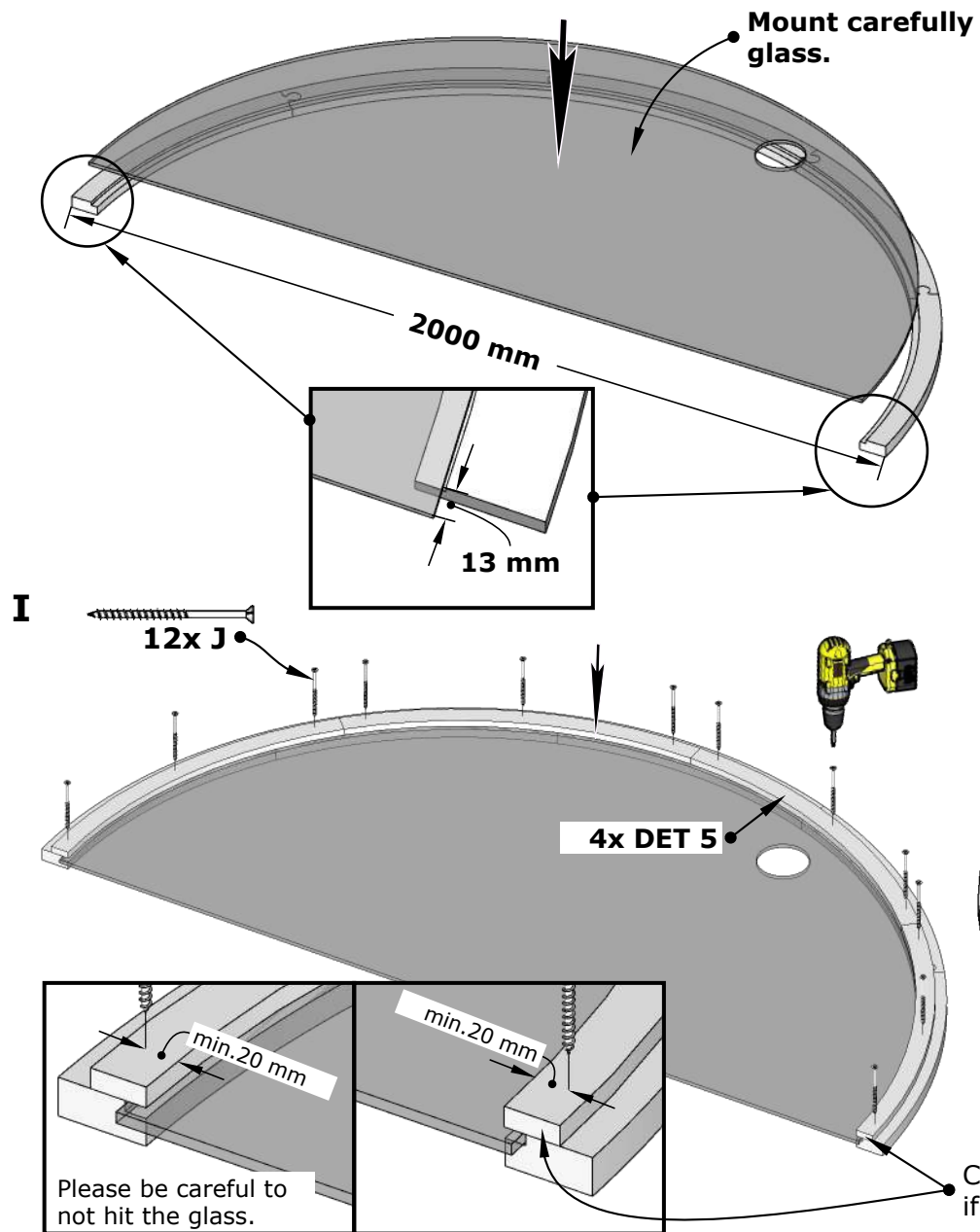
(Wall thickness 28 mm.)



1.

Half-moon glass wall mounting

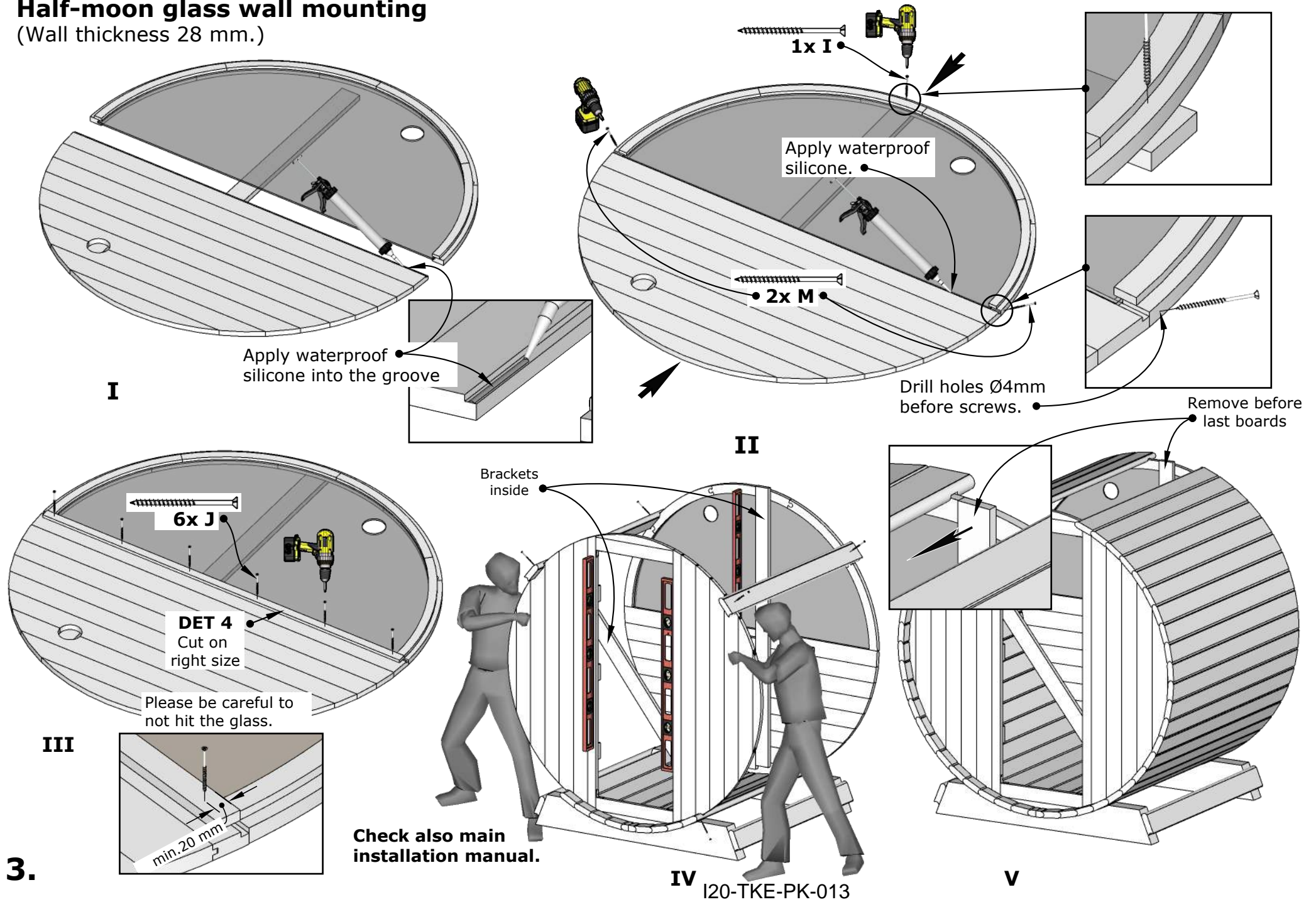
(Wall thickness 28 mm.)



2. III

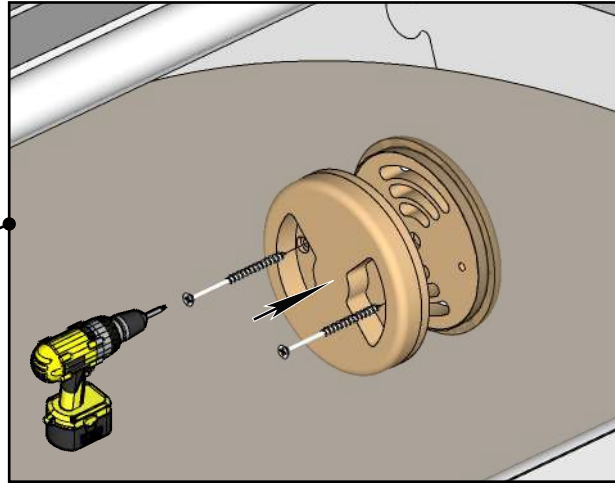
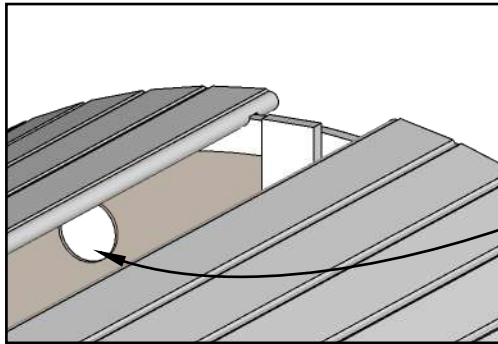
Half-moon glass wall mounting

(Wall thickness 28 mm.)

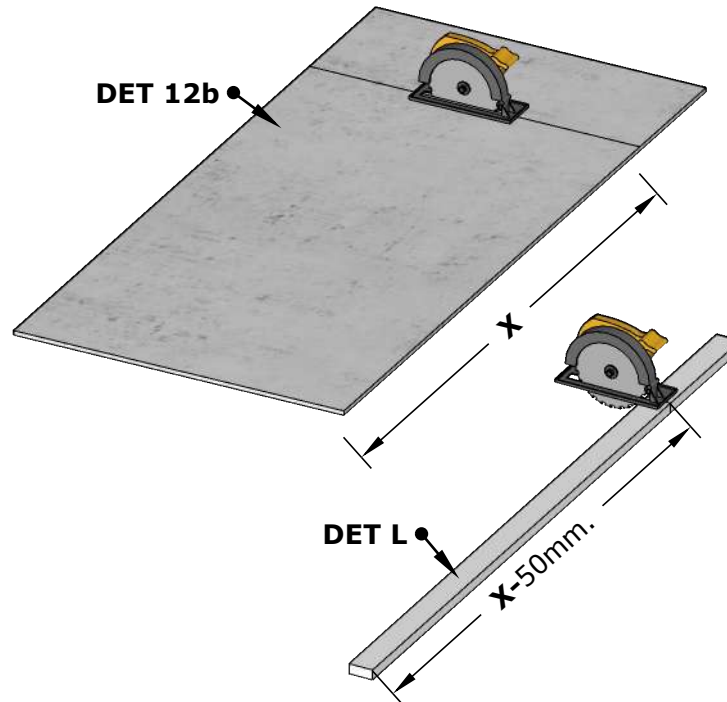
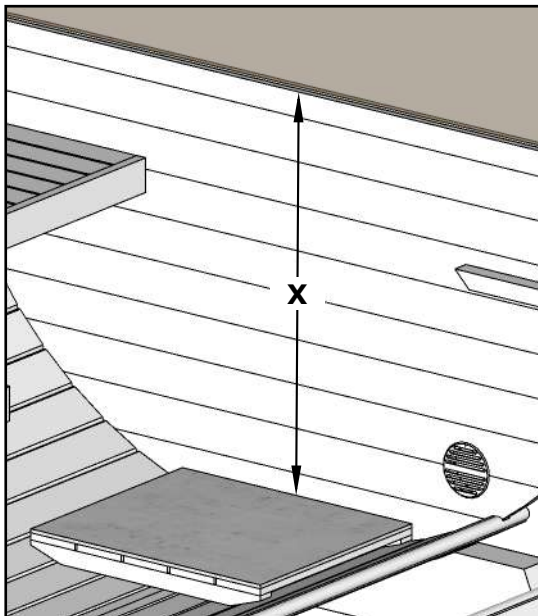


Half-moon glass wall mounting

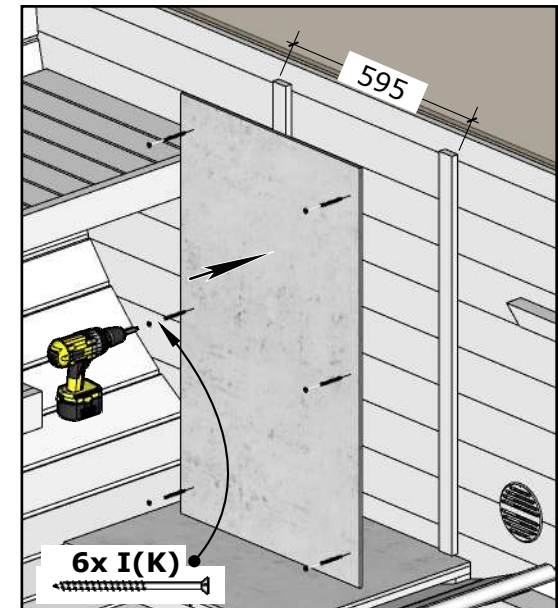
(Wall thickness 28 mm.)



Only for saunas with a length of 180 cm. or more.



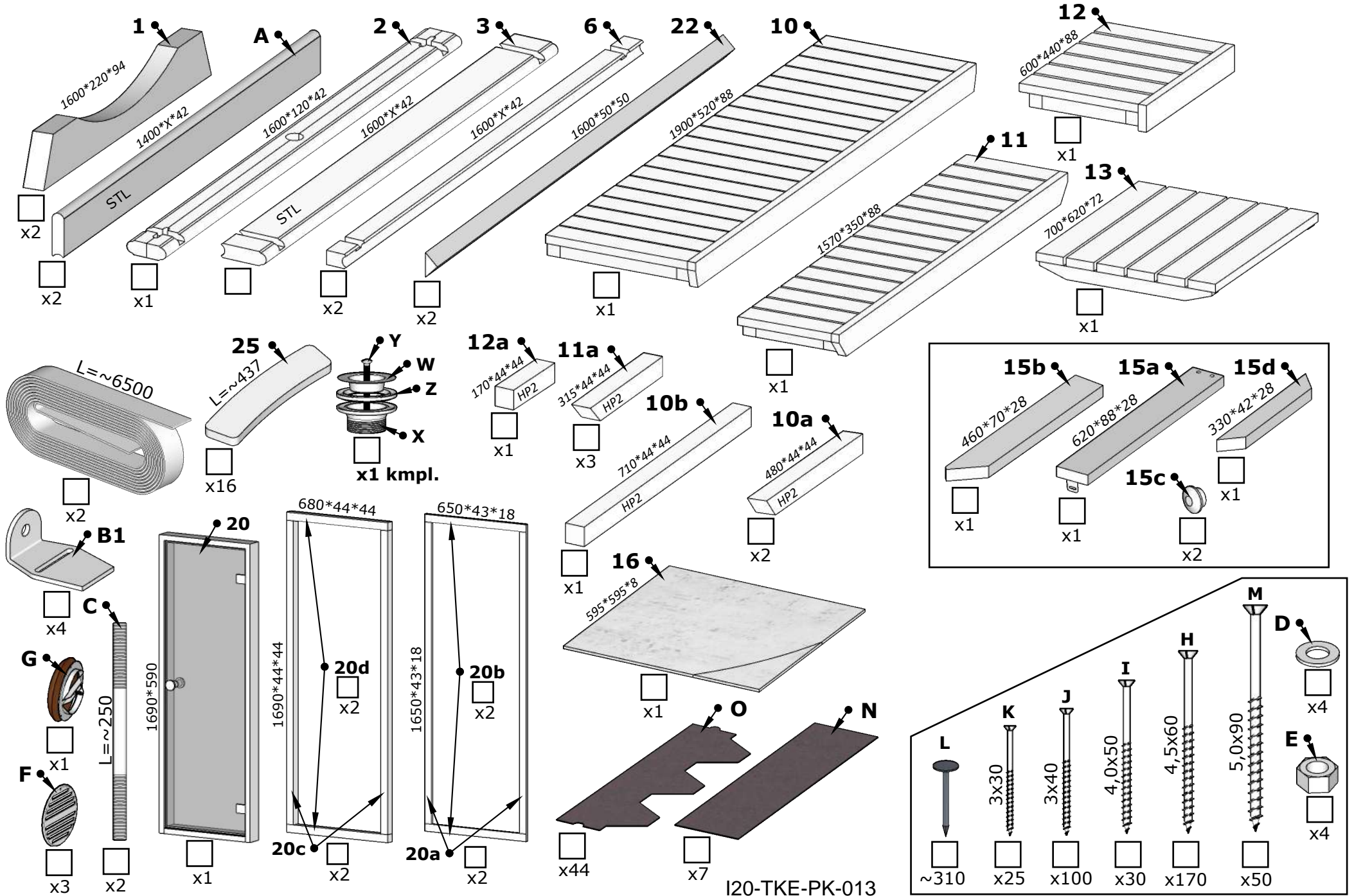
Check also main installation manual.



4.

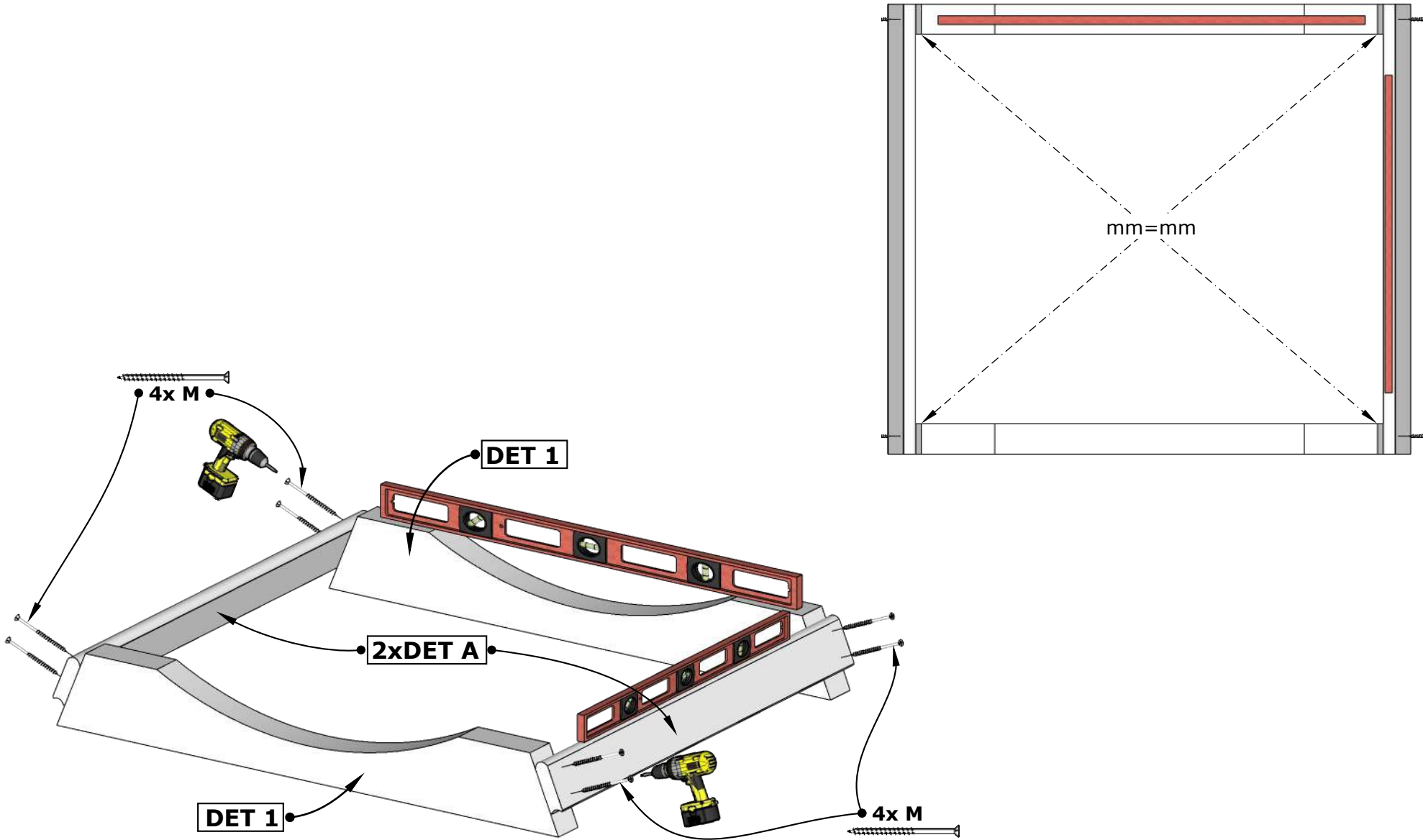
Sauna 160, Ø200

Details list.

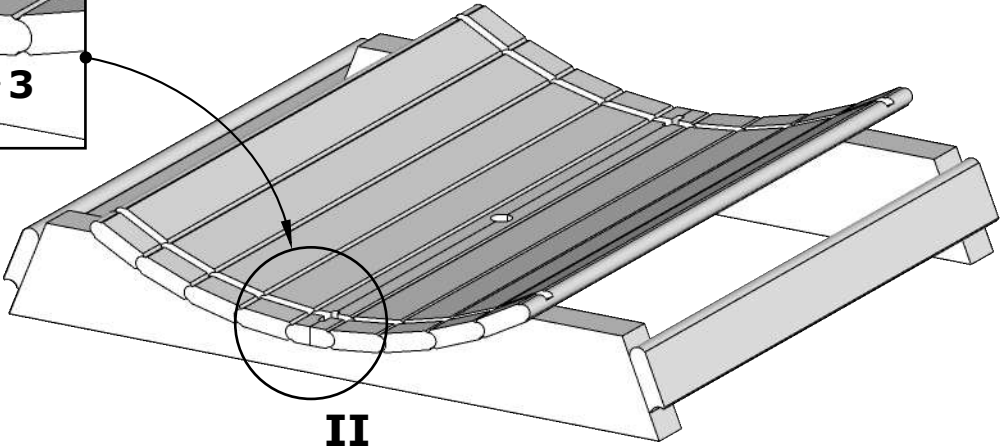
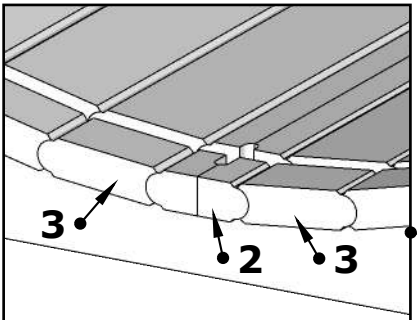
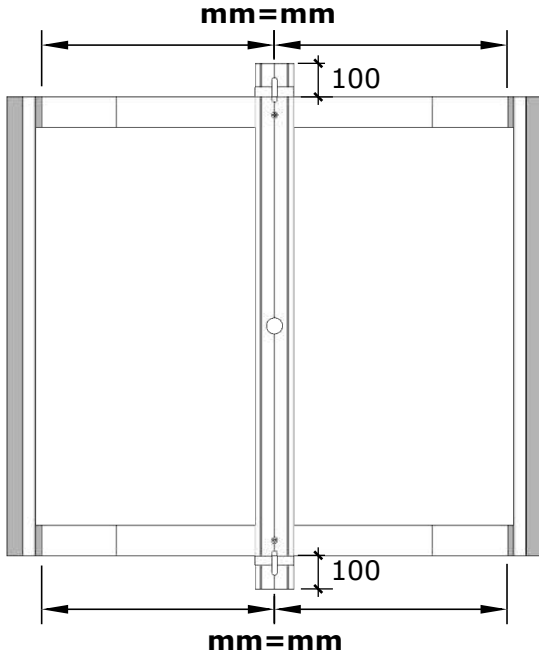
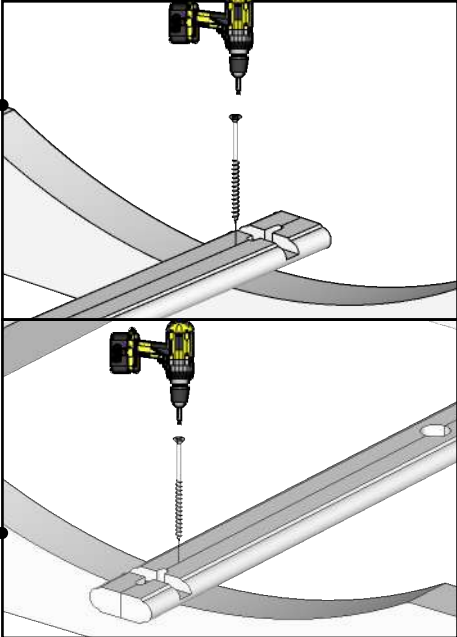
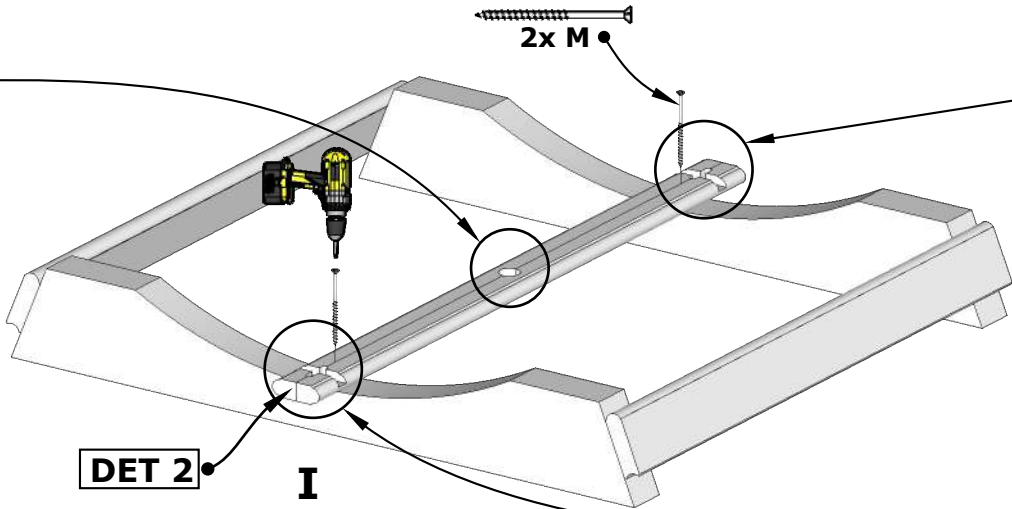
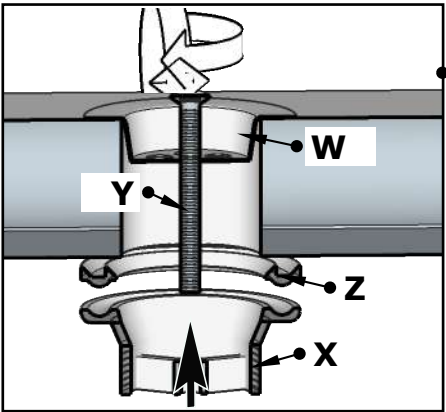


I20-TKE-PK-013

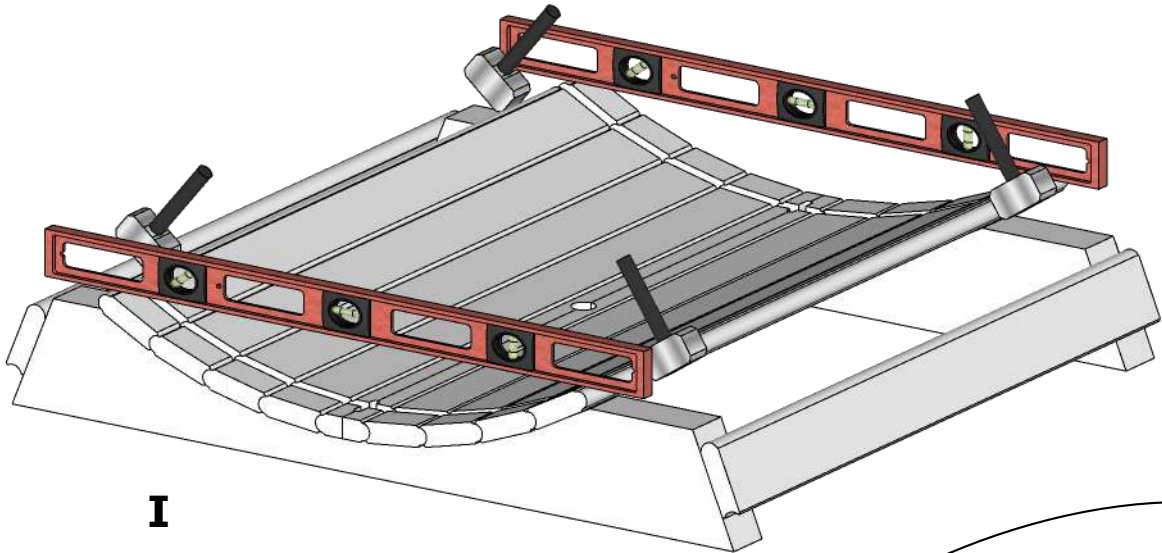
Sauna 160, Ø200



Sauna 160, Ø200

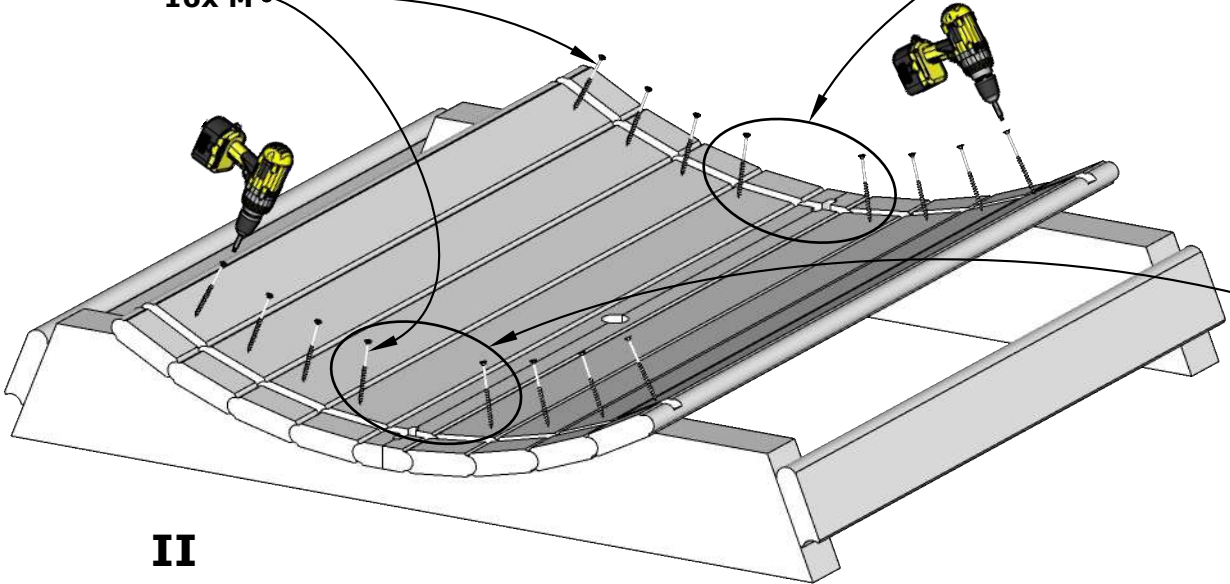


Sauna 160, Ø200

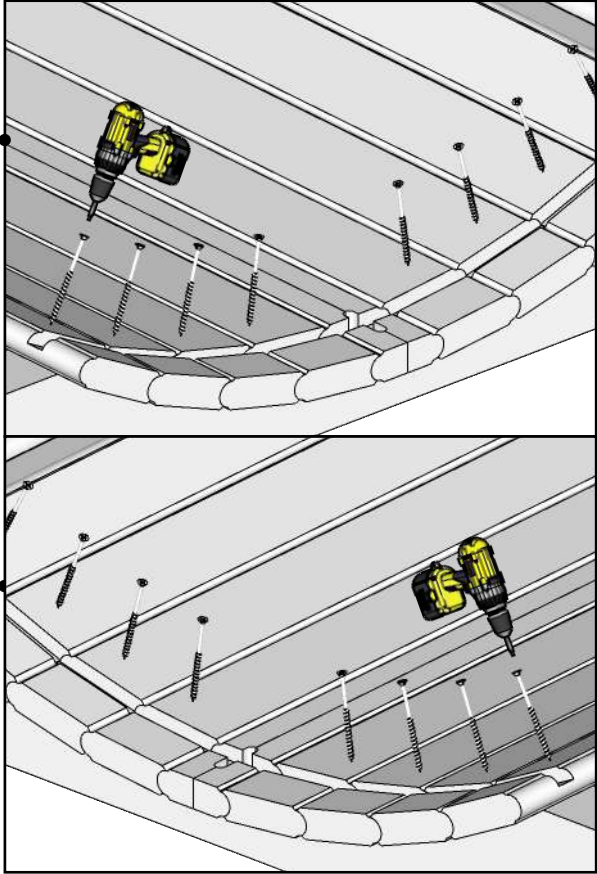


I

16x M



II



Sauna 160, Ø200

Use waterlevel

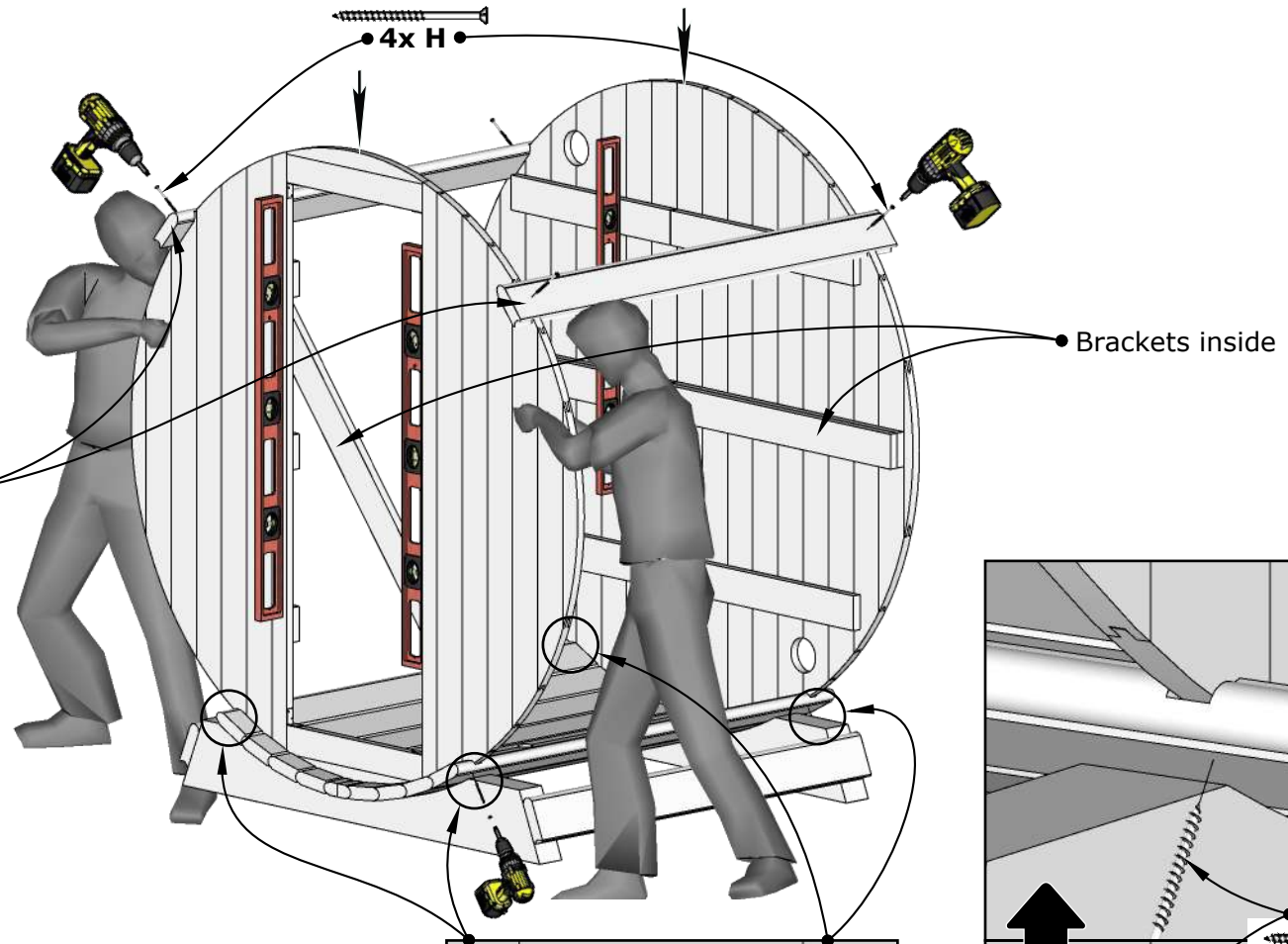


Check walls installation manual on extra pages!

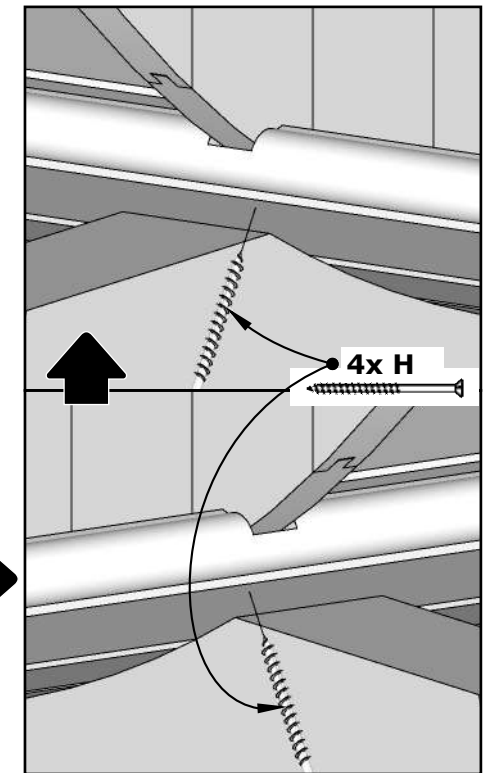
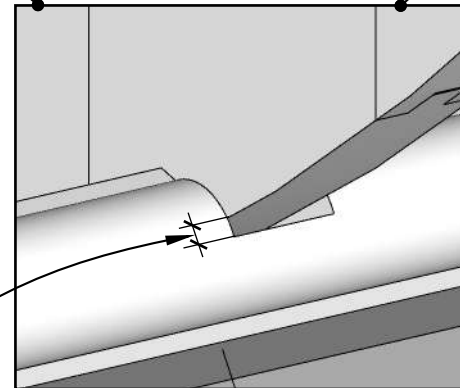
Sauna wall configuration depends on Your model!

DET 3

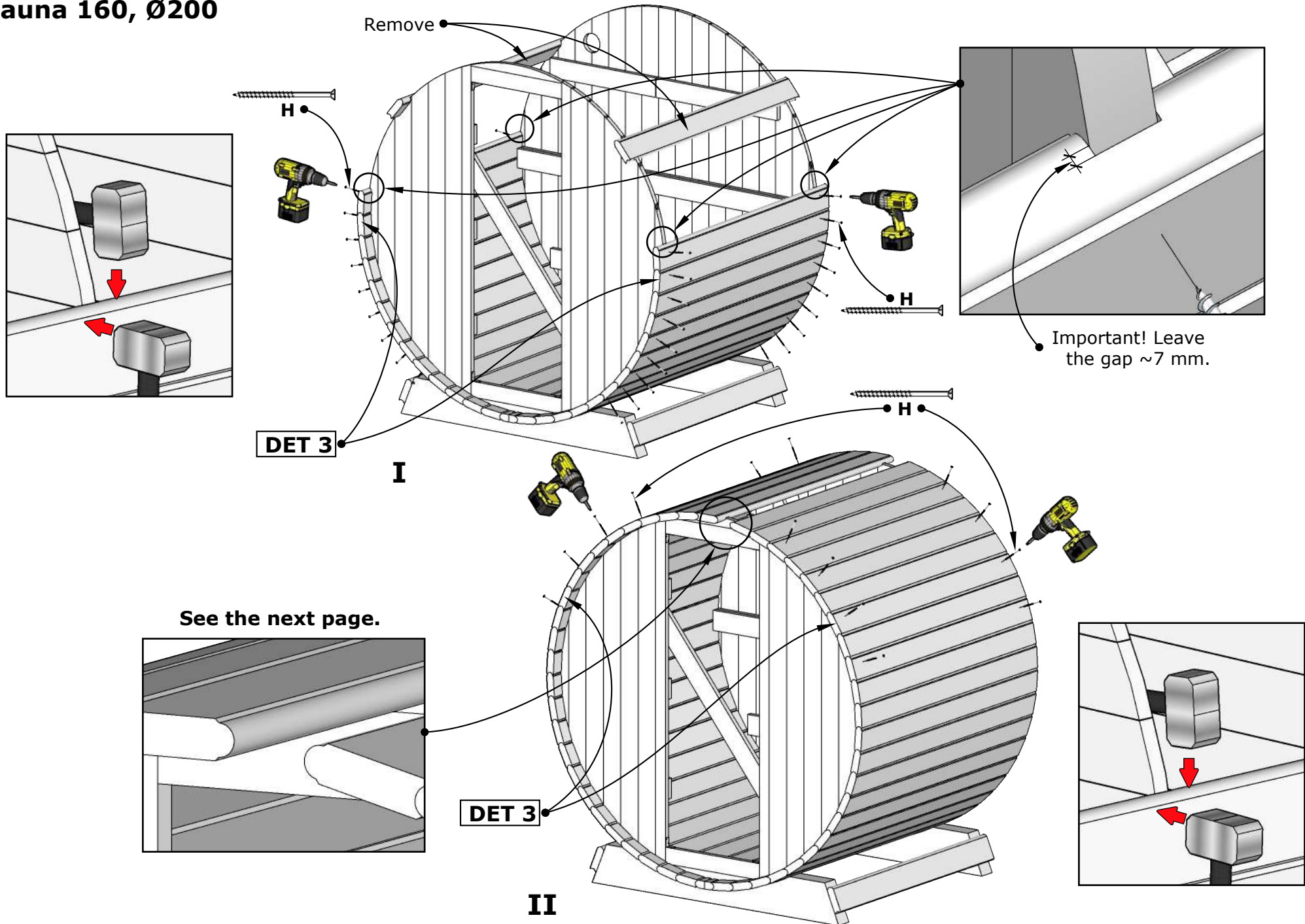
Fix temporarily to support walls.



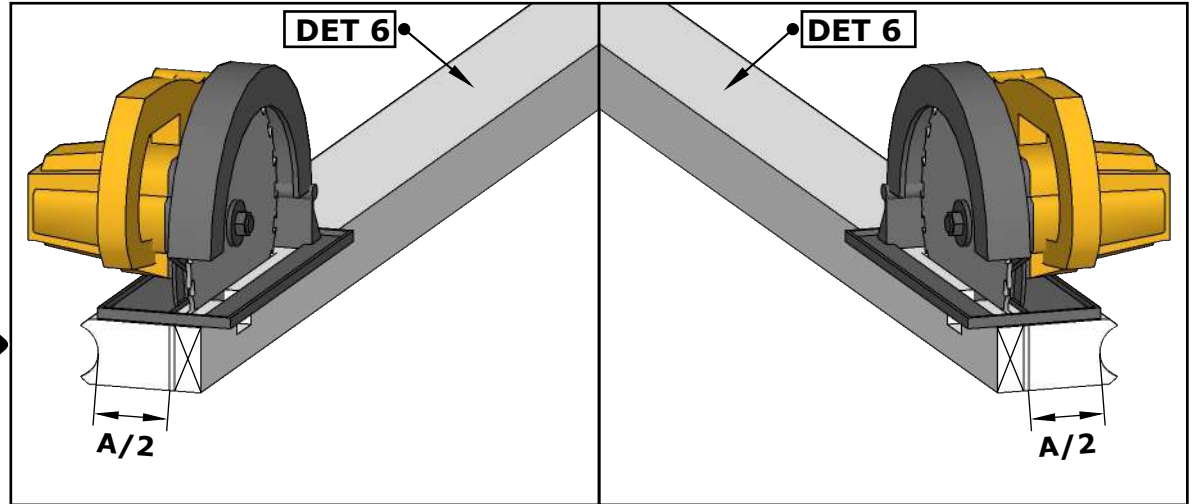
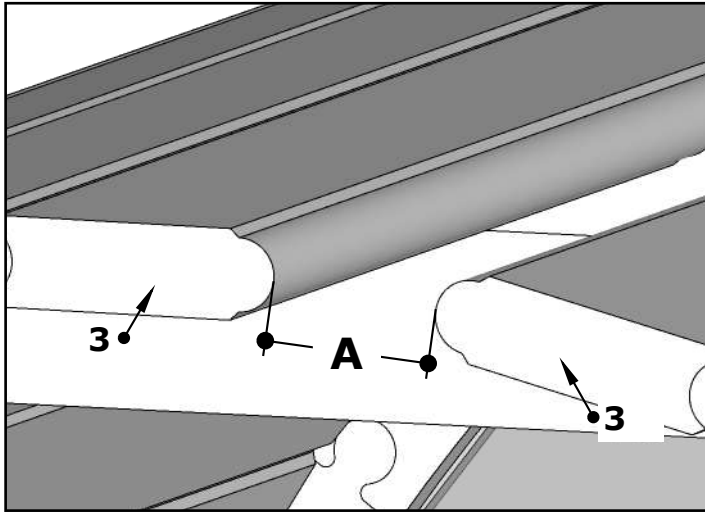
Important! Leave the gap ~7 mm.



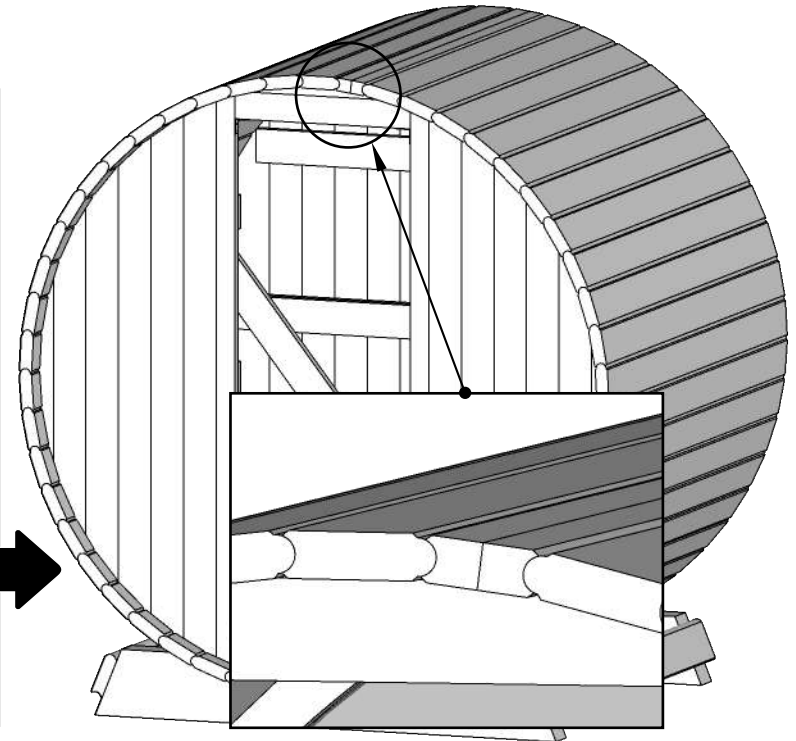
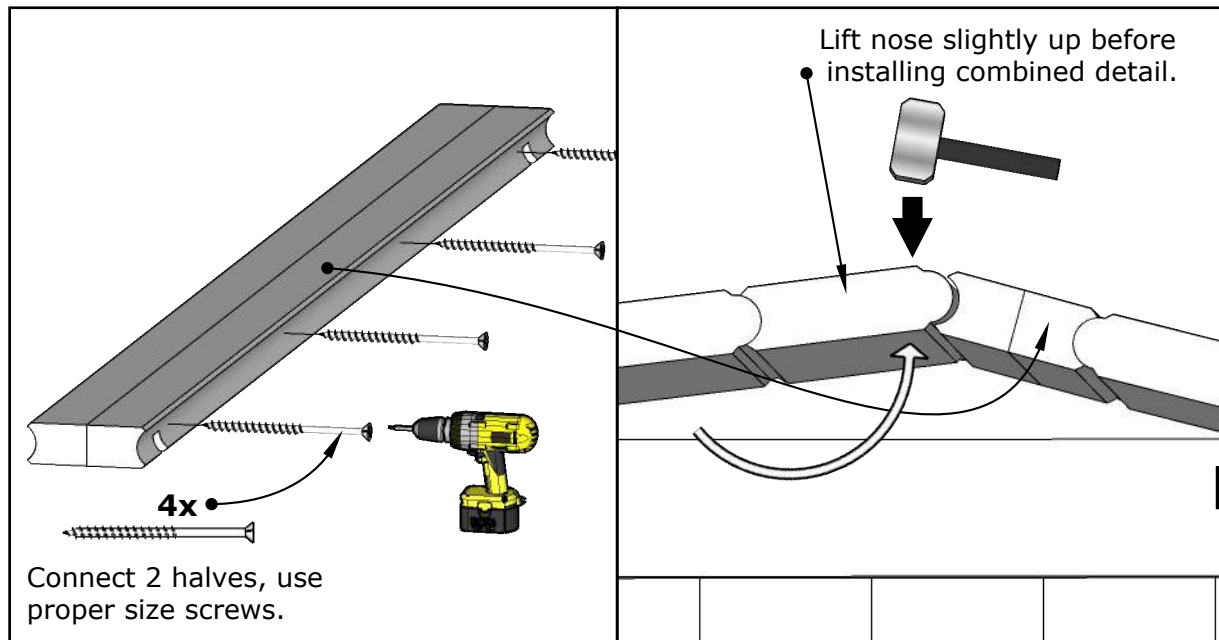
Sauna 160, Ø200



Sauna 160, Ø200



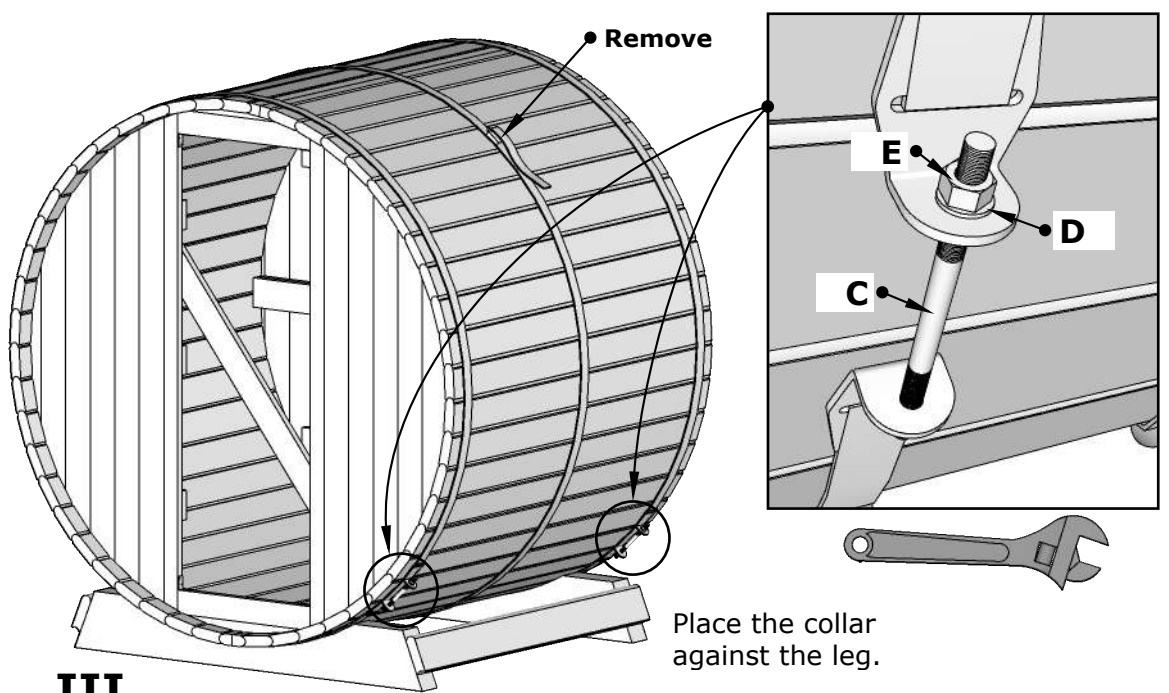
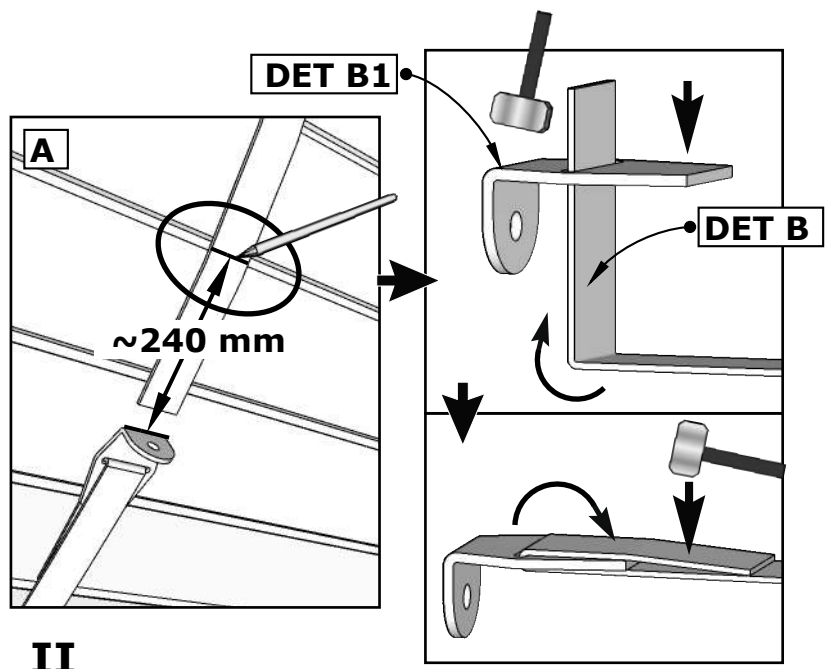
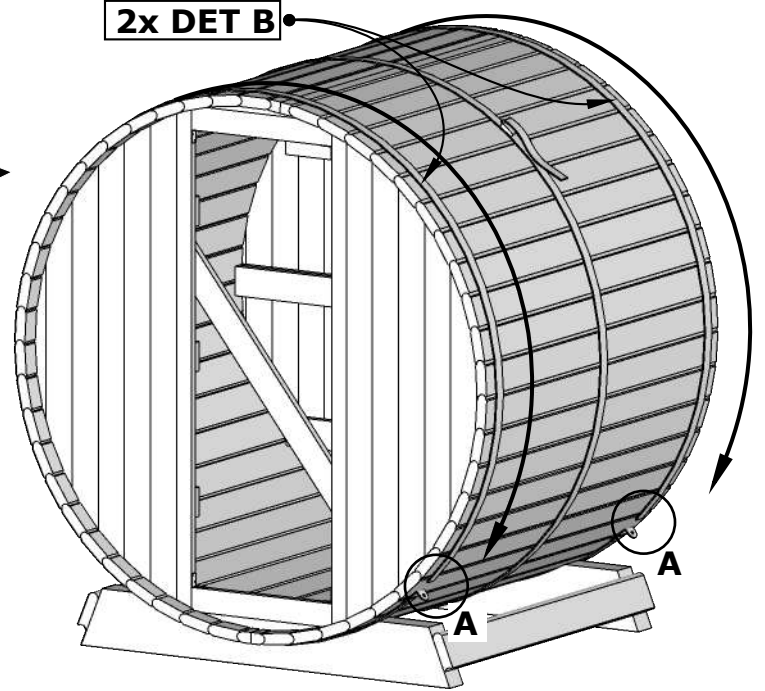
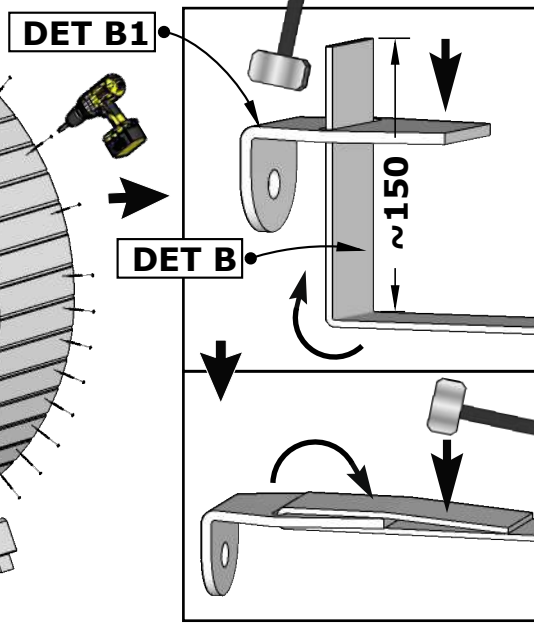
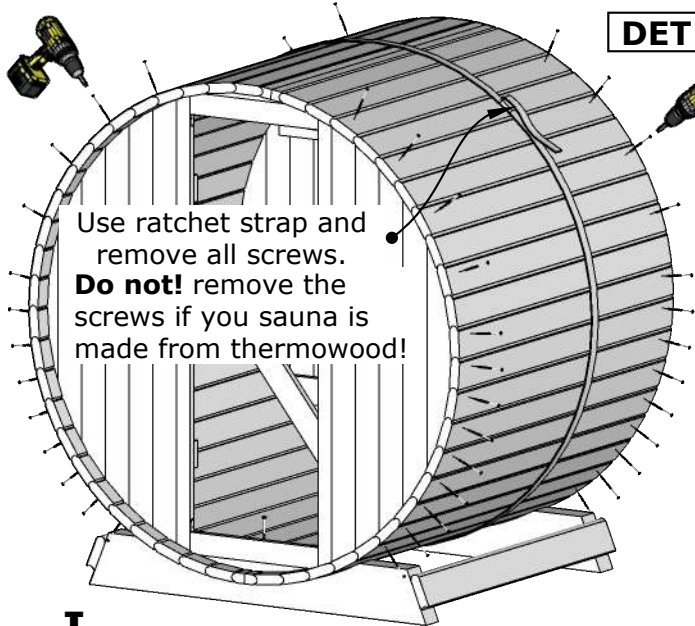
I



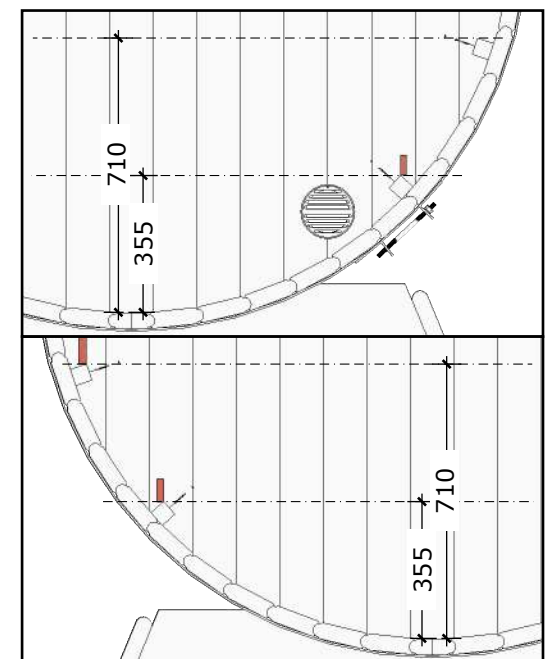
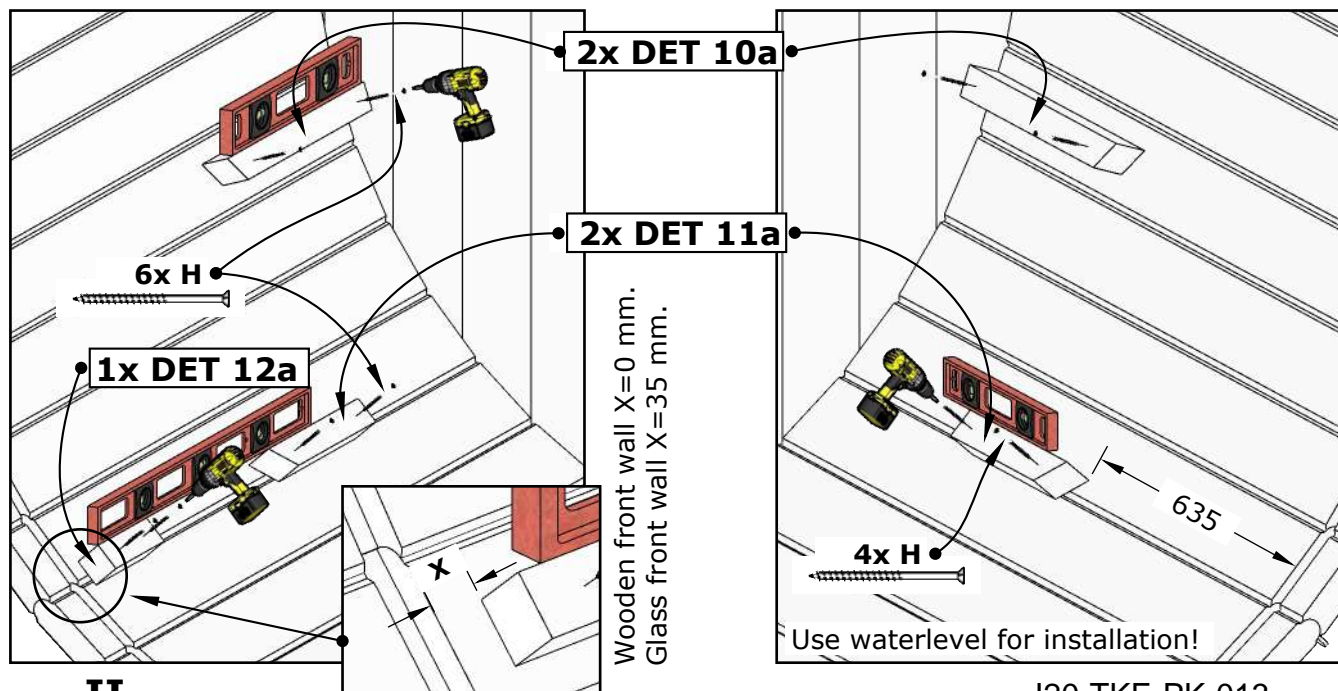
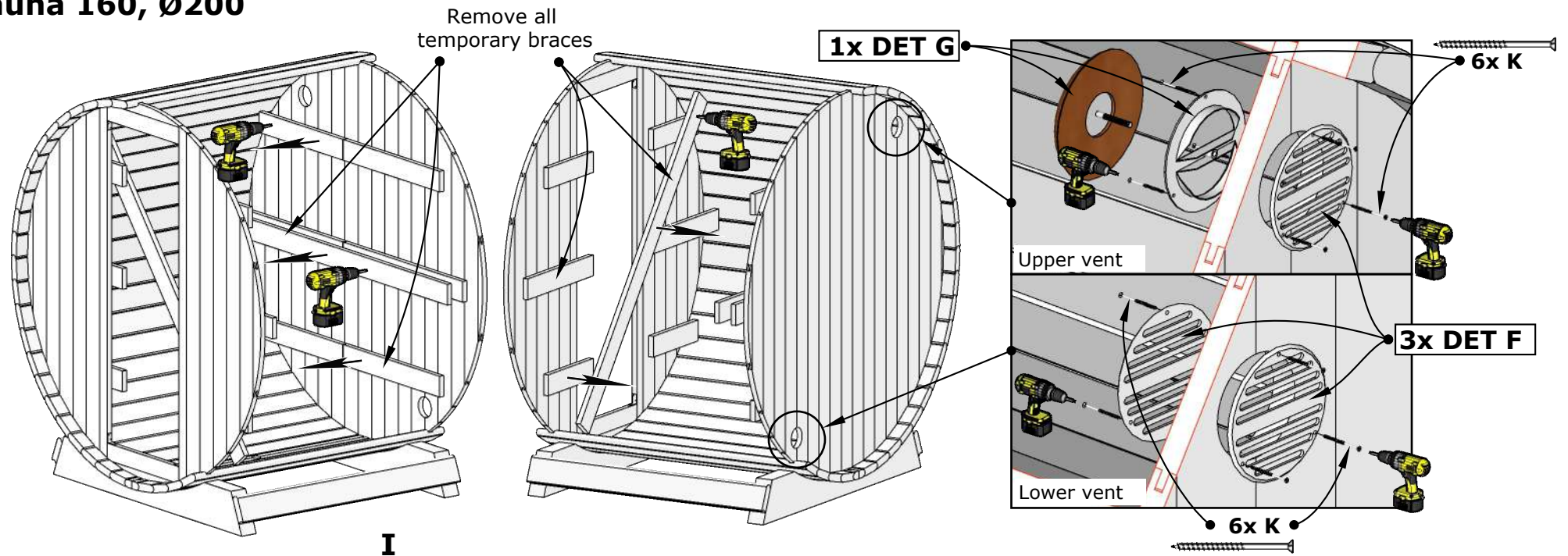
II

6.

Sauna 160, Ø200

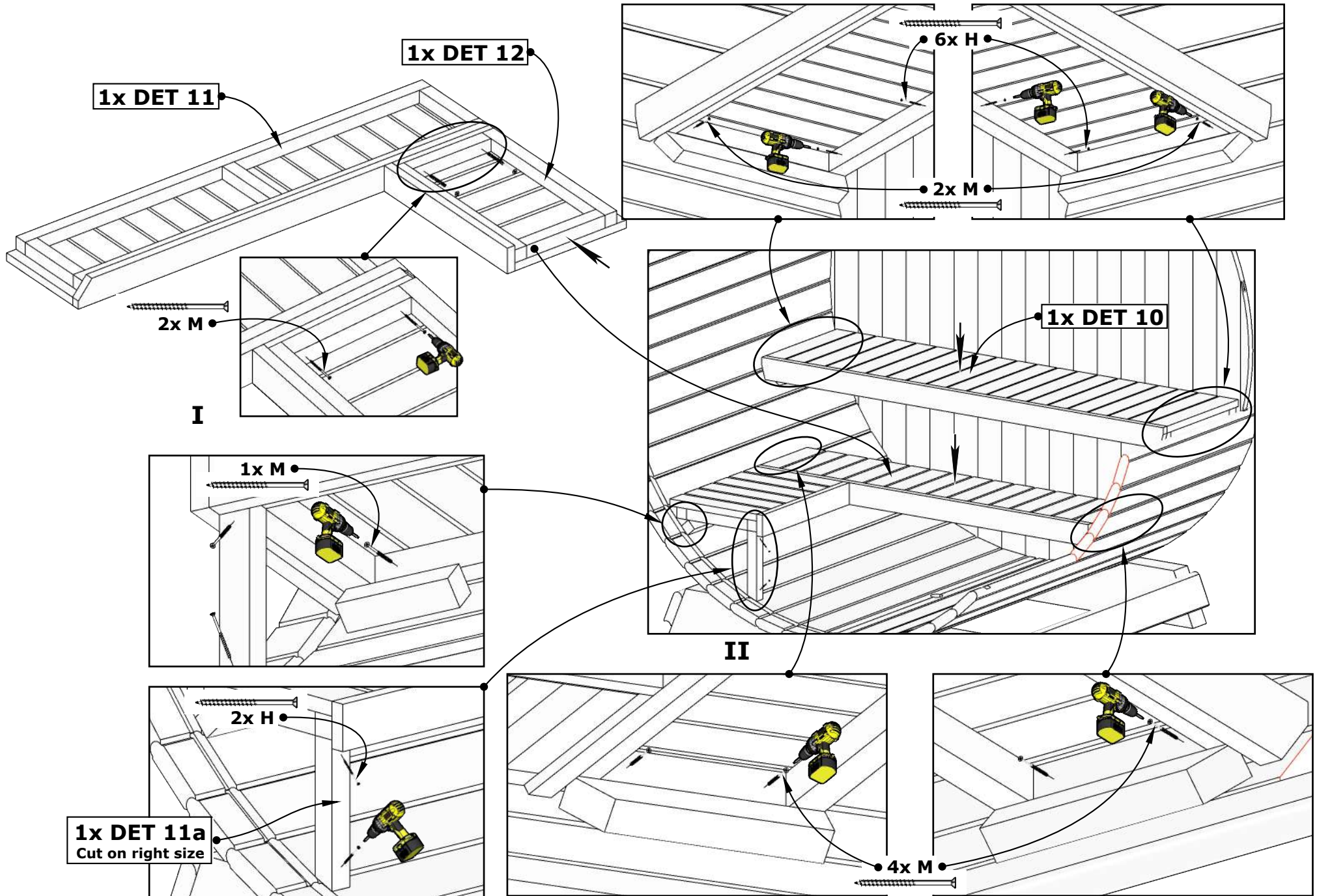


Sauna 160, Ø200

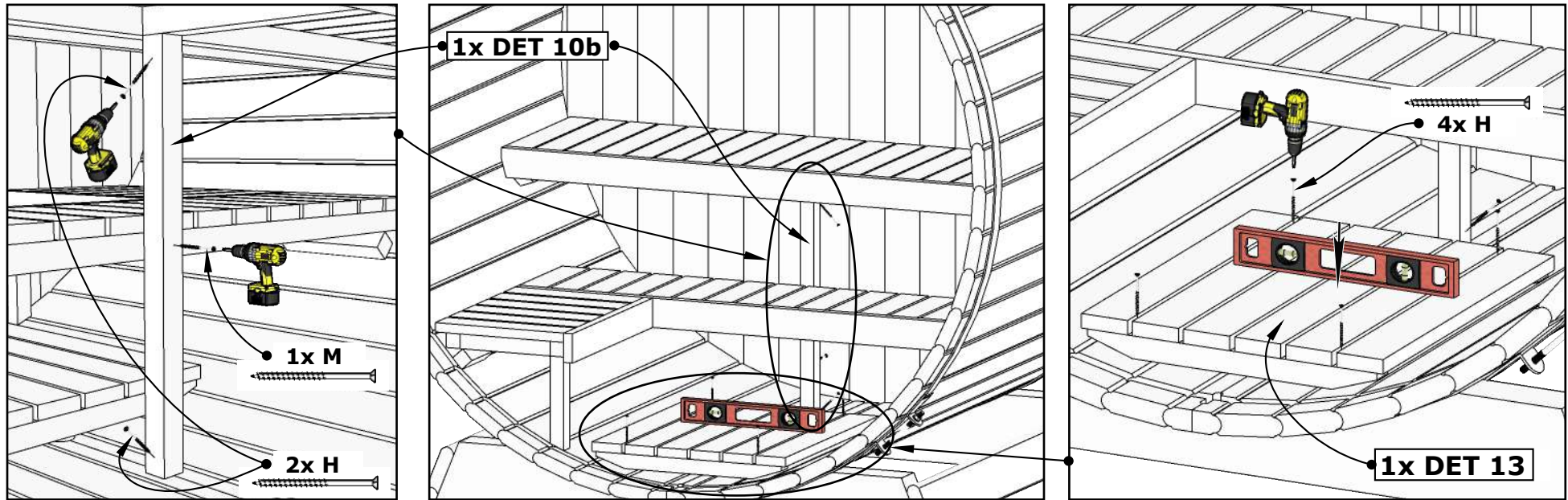


Use waterlevel for installation!

Sauna 160, Ø200

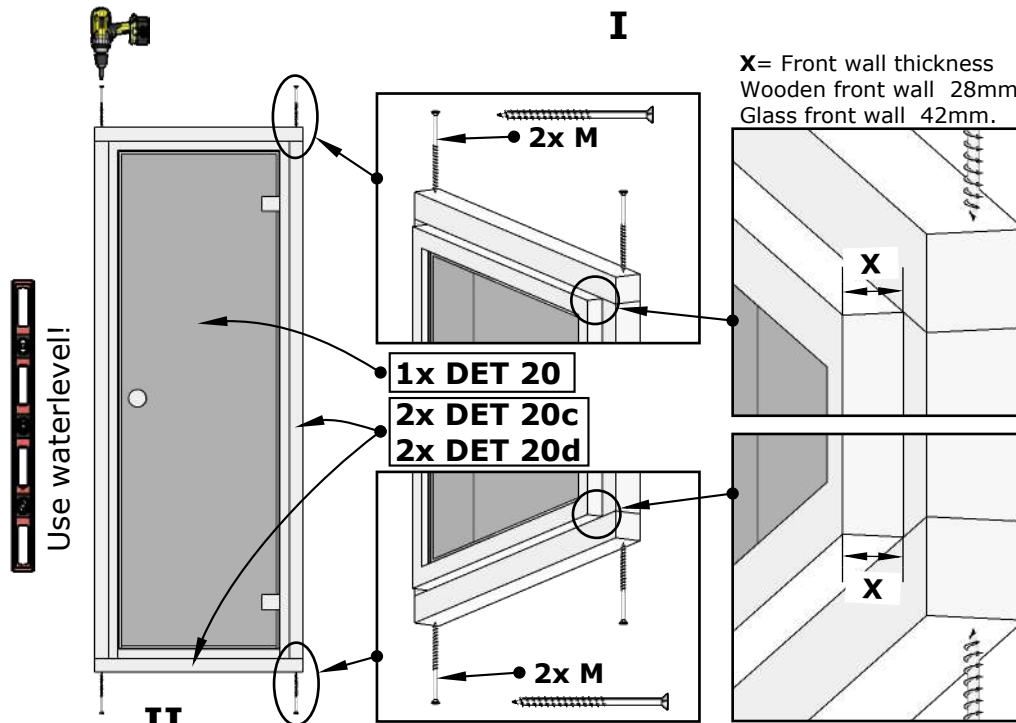


Sauna 160, Ø200

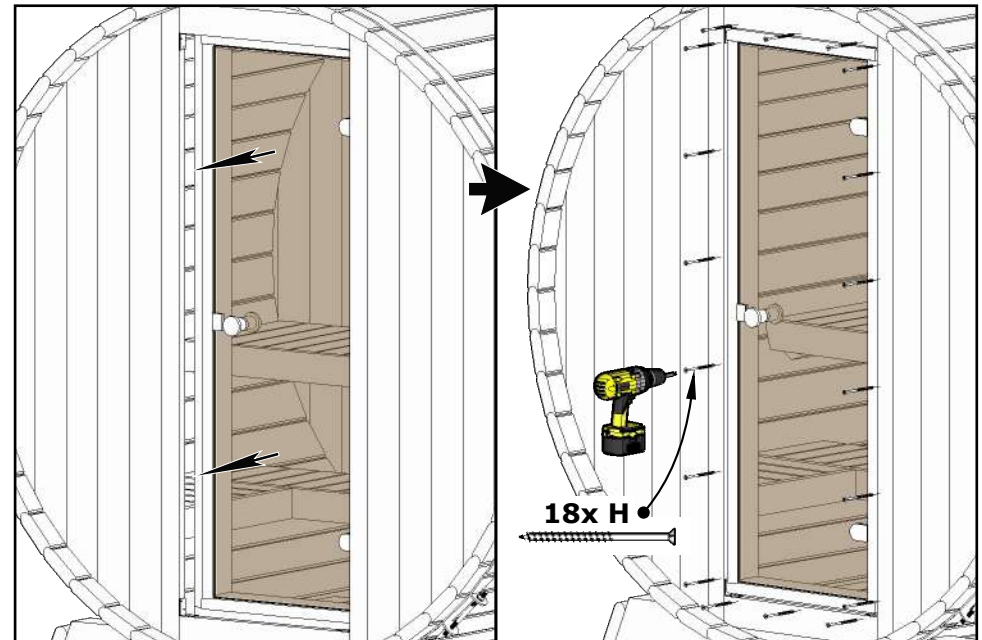


I

X= Front wall thickness
 Wooden front wall 28mm.
 Glass front wall 42mm.



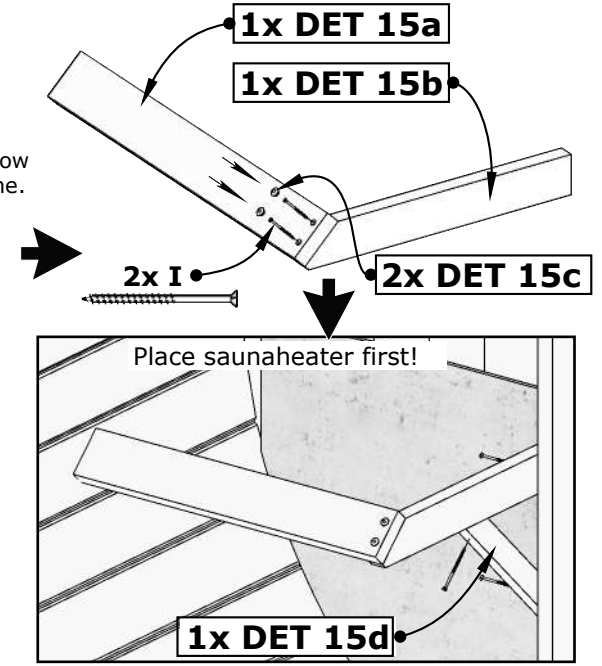
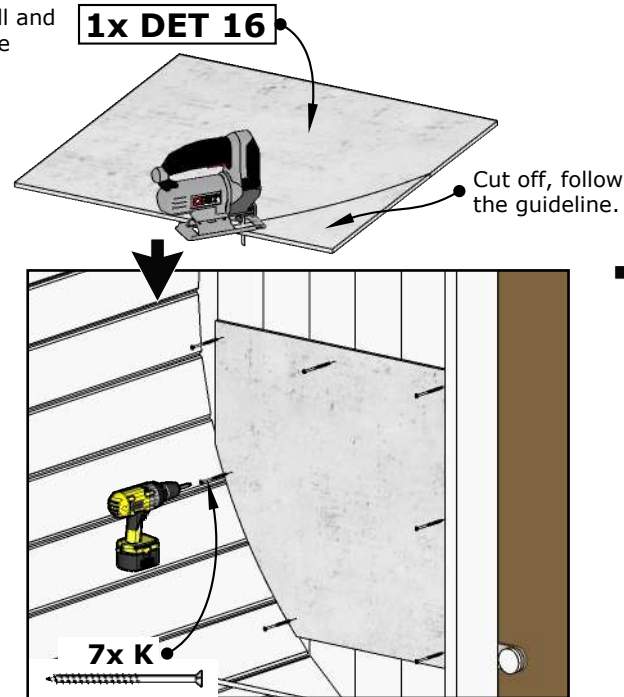
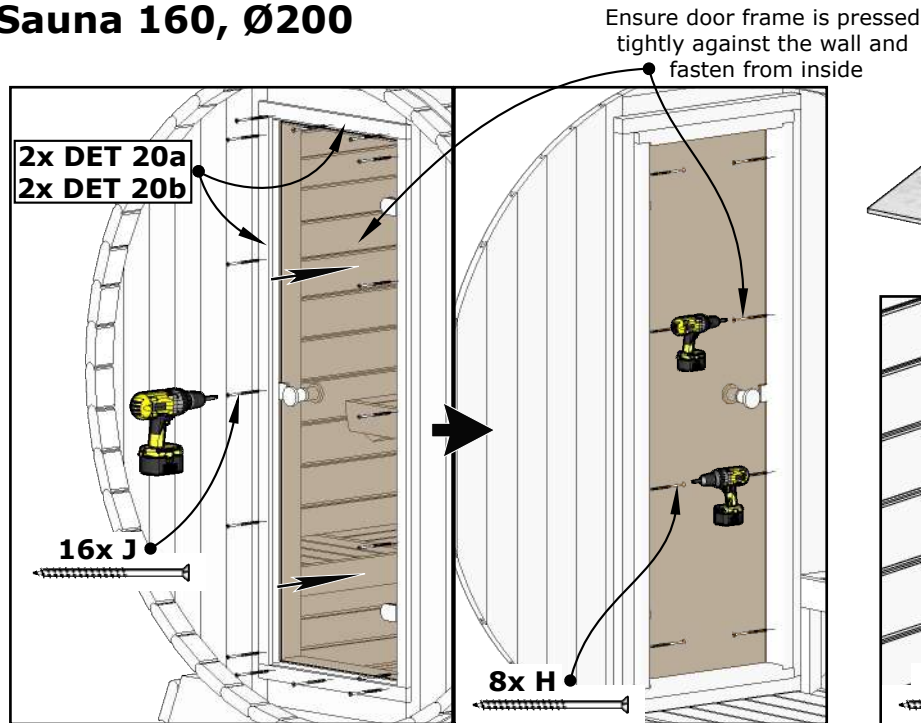
II



10.

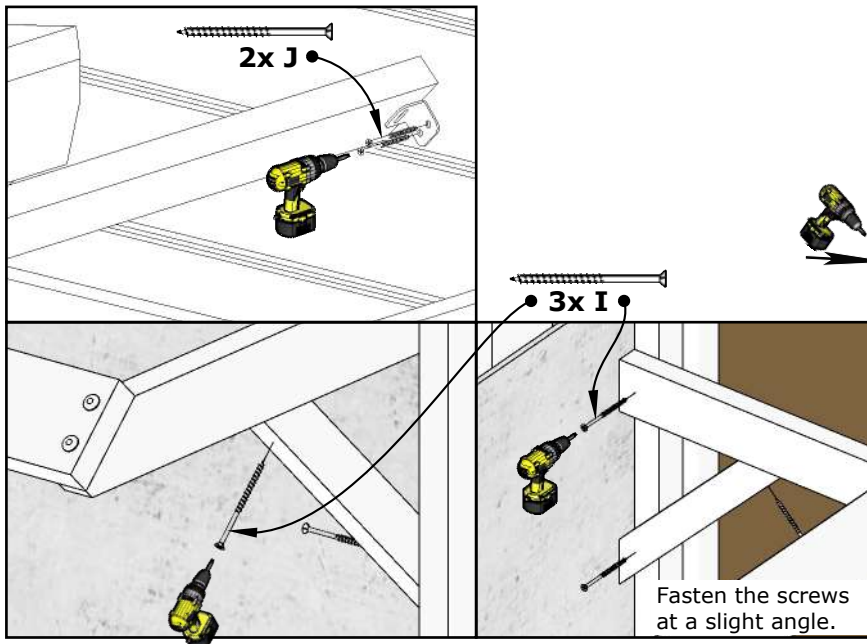
I20-TKE-PK-013

Sauna 160, Ø200

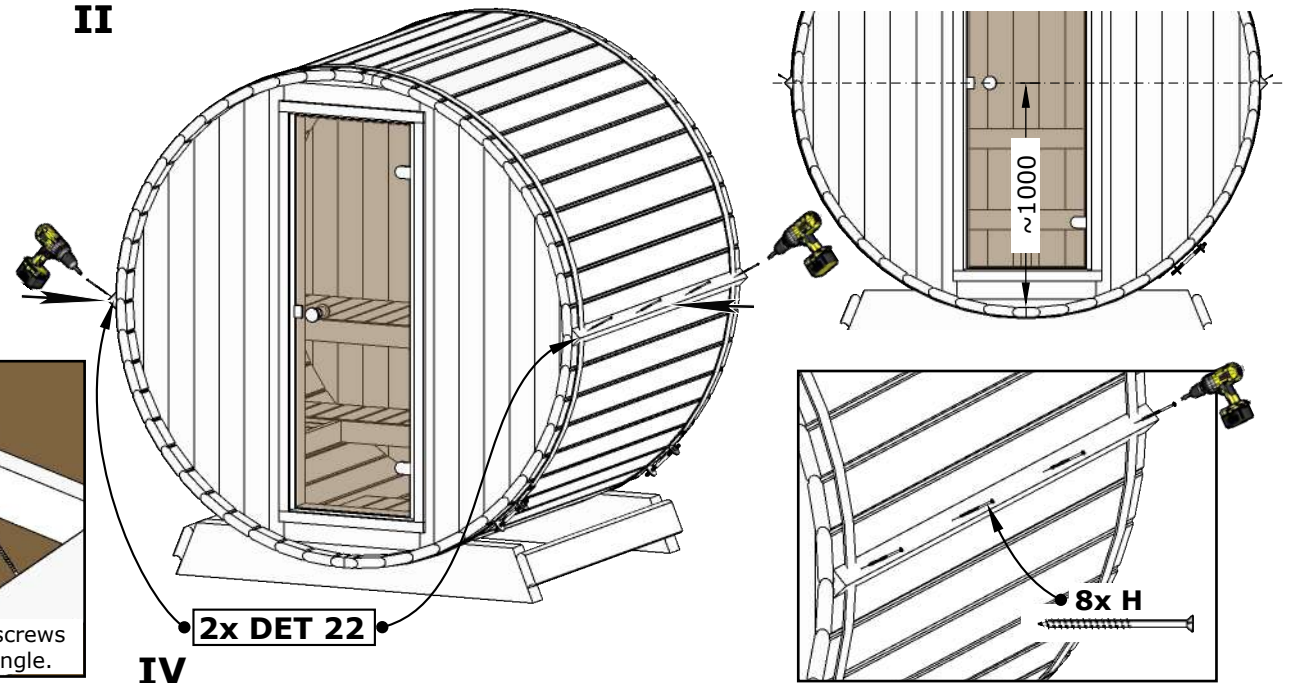


I

II



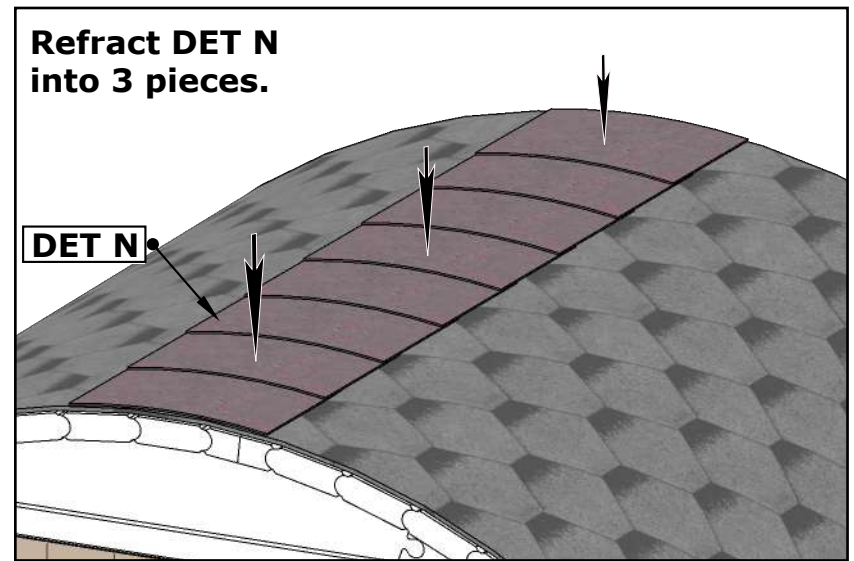
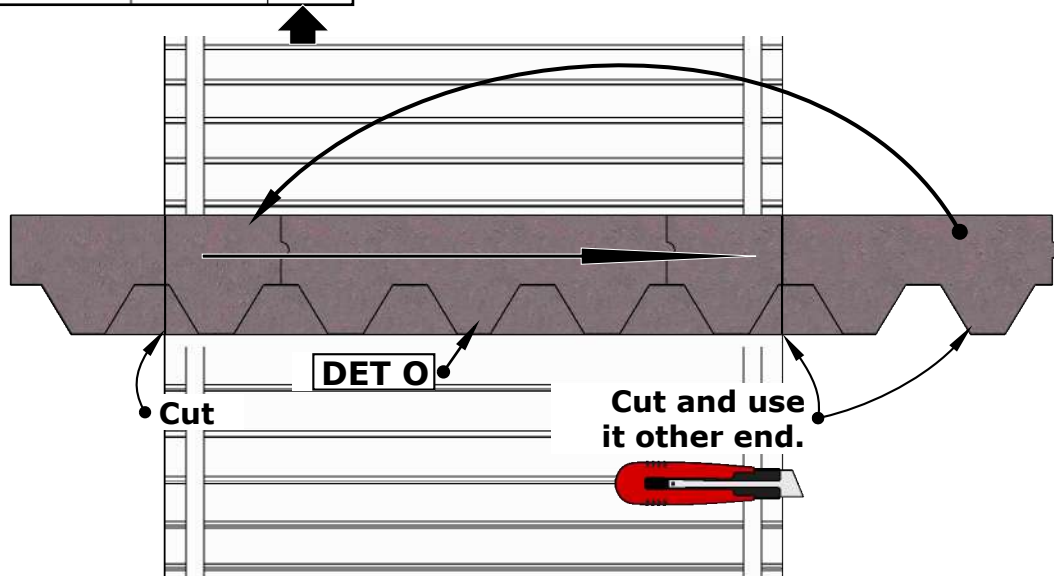
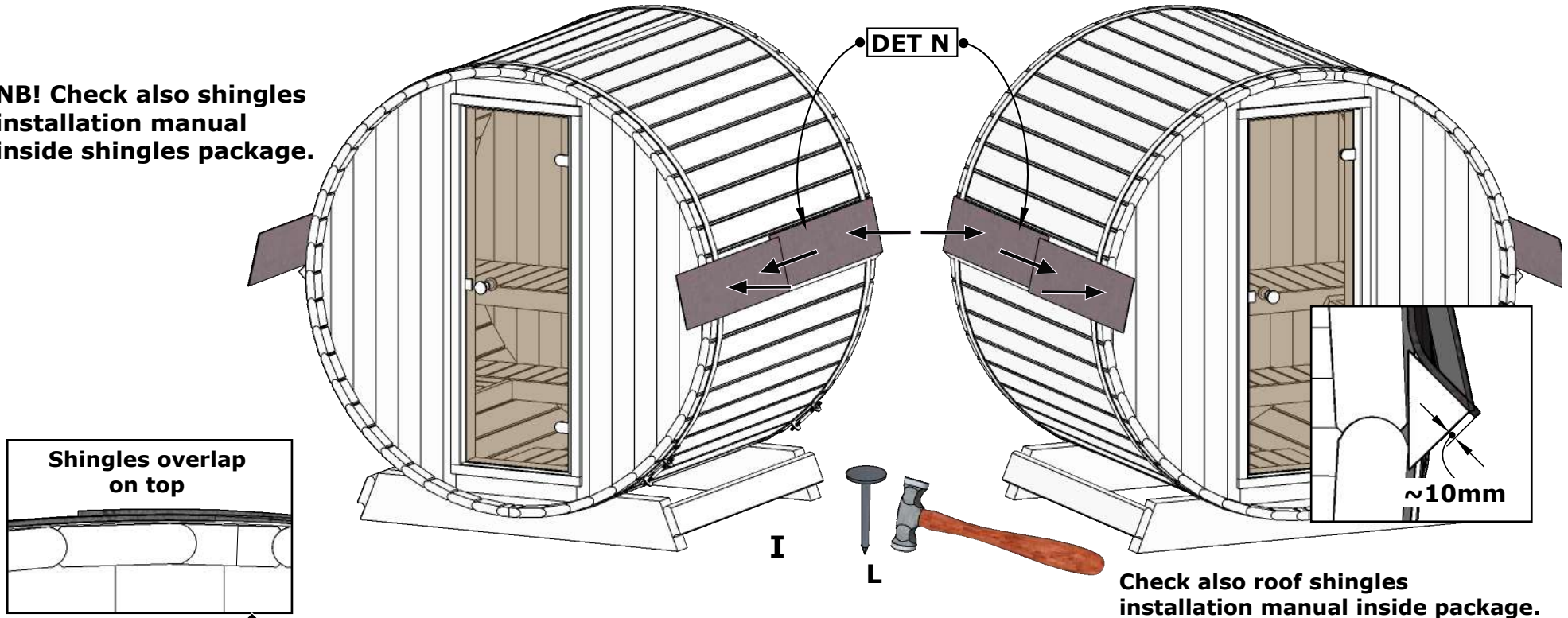
11. III



IV

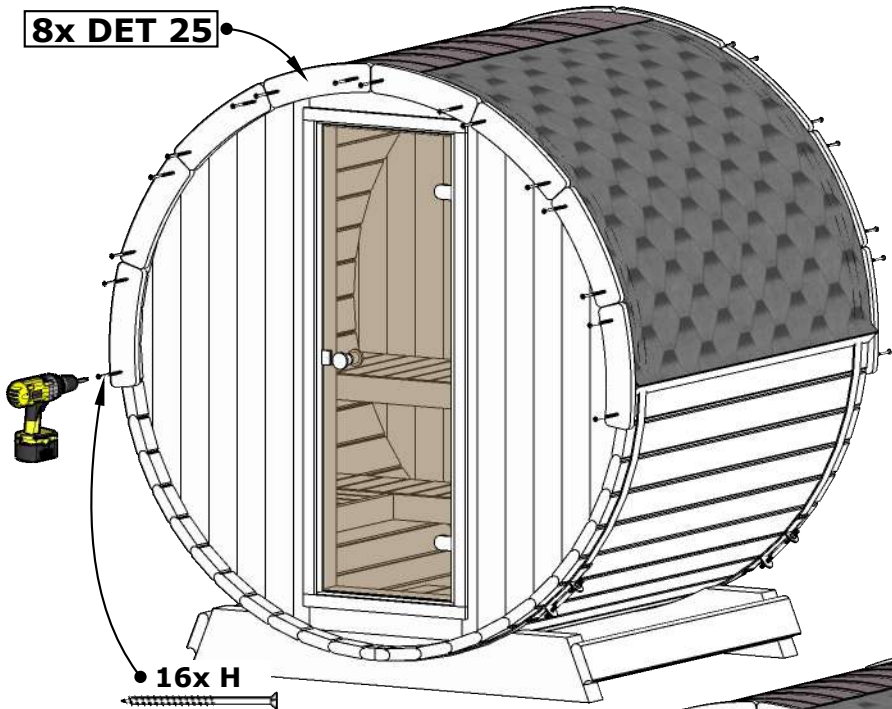
Sauna 160, Ø200

NB! Check also shingles installation manual inside shingles package.



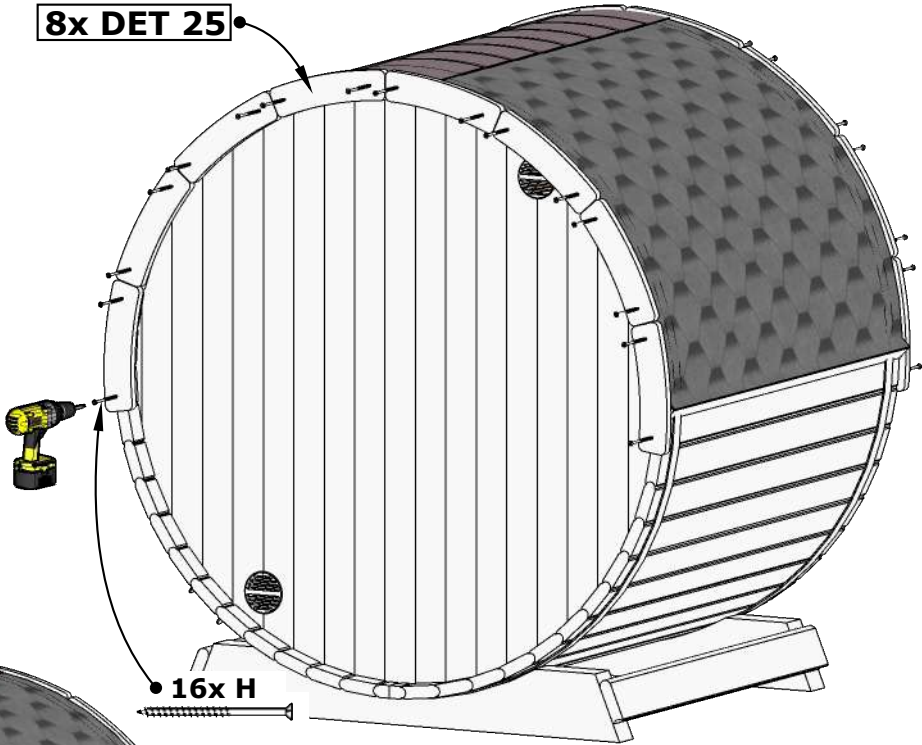
Sauna 160, Ø200

8x DET 25

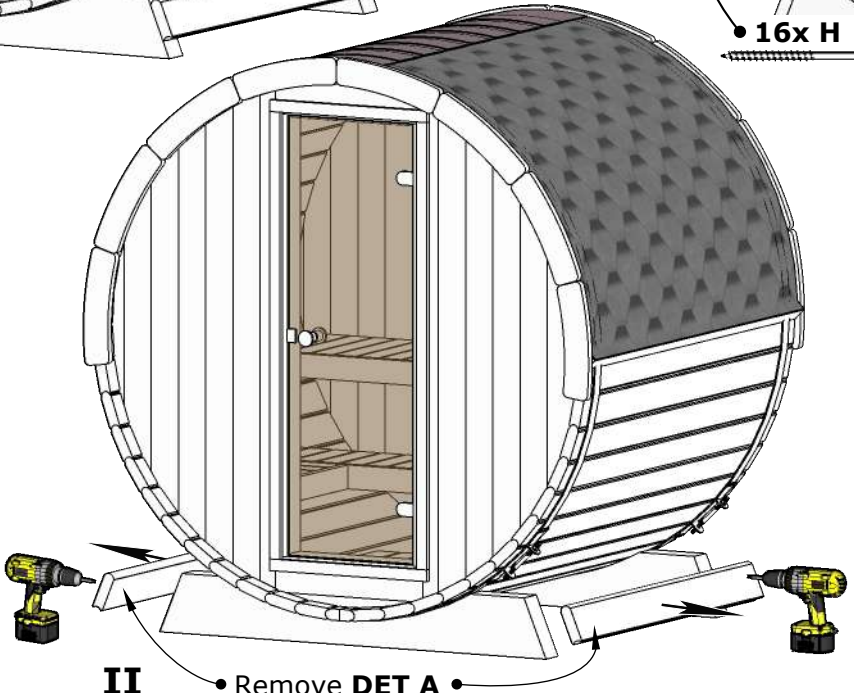


I

8x DET 25



16x H



II

Remove DET A