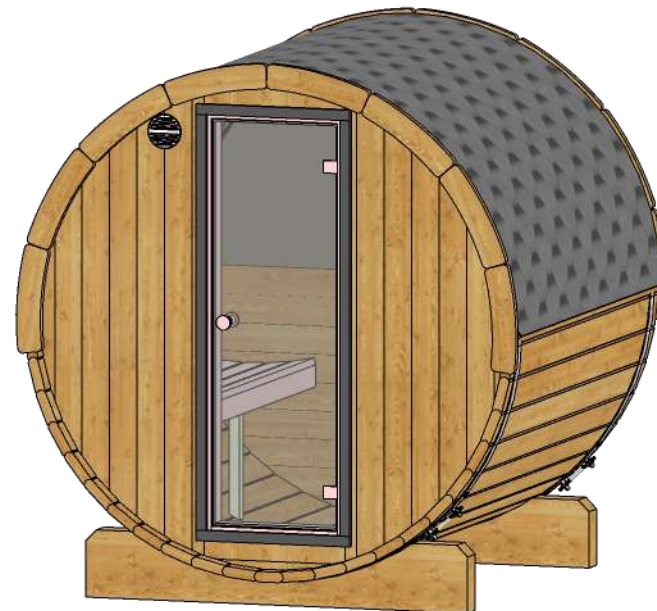
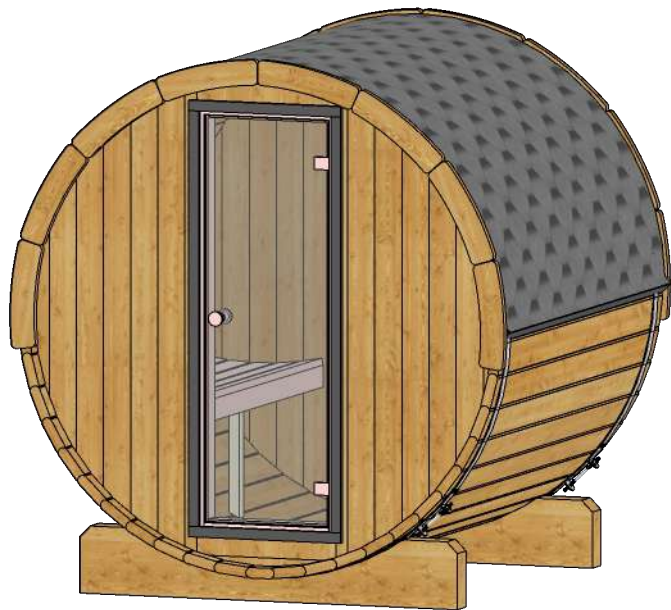
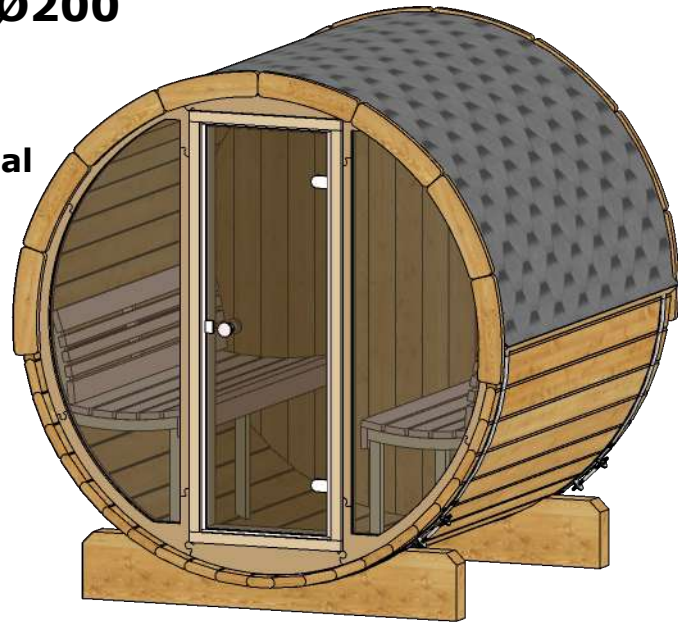


Sauna 150/180/220, Ø200

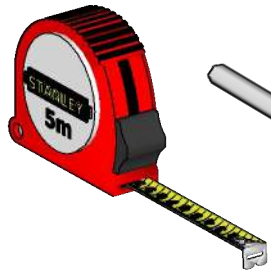
**NB! Please read whole manual
before start.**

**All given measurements
are in millimeters!**

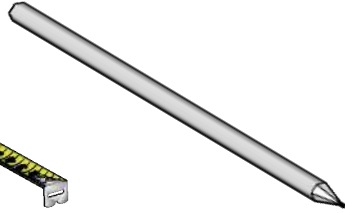


(US-101-PES-PTS-MM)

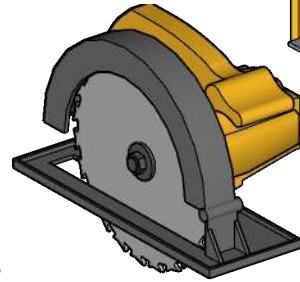
Tools needed



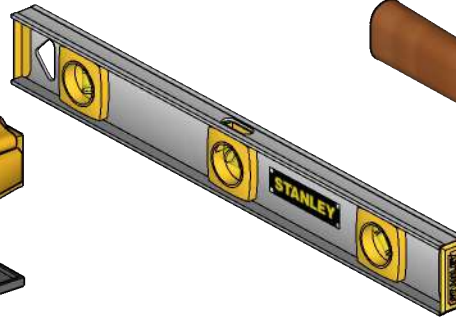
Measuring tape



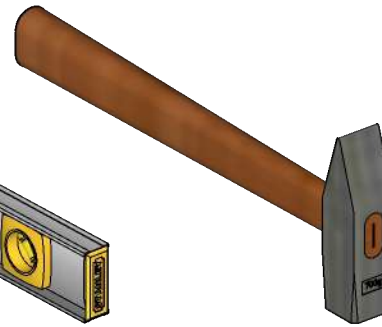
Marker pen



Circular saw



Water level



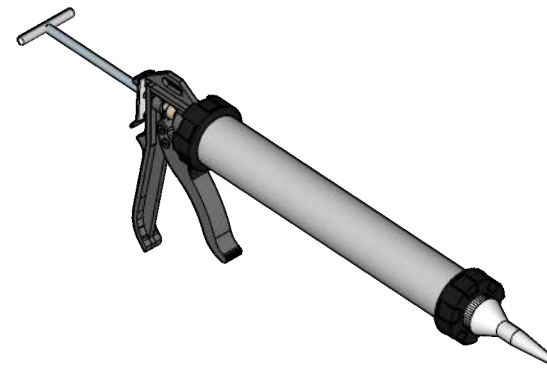
Hammer



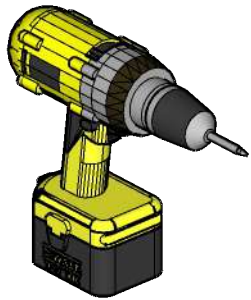
Extra hands



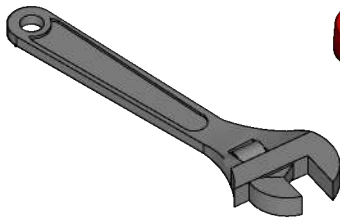
Ratchet strap



Silicone gun
(Only glass-wall models)



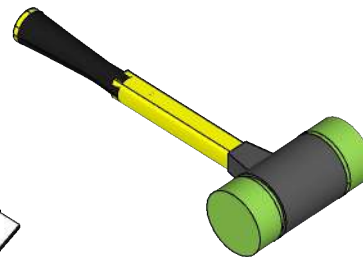
Drill



Crescent wrench



Utility knife

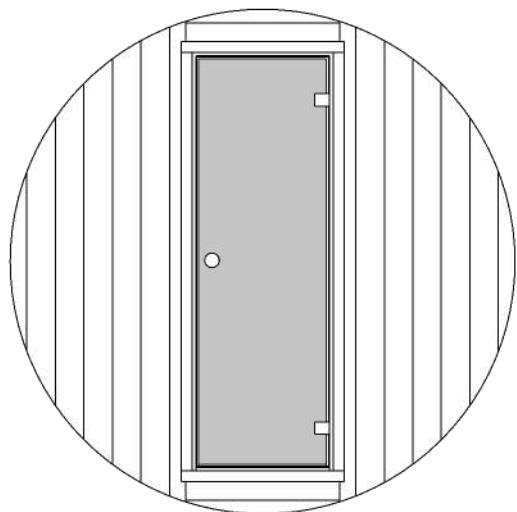


Rubber mallet

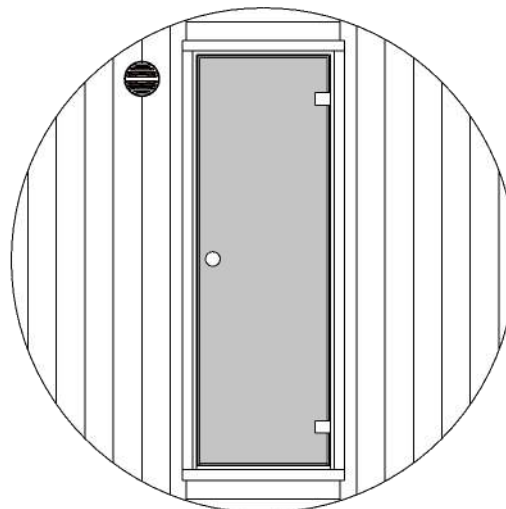
Sauna 150/180/220, Ø200

Walls configuration.

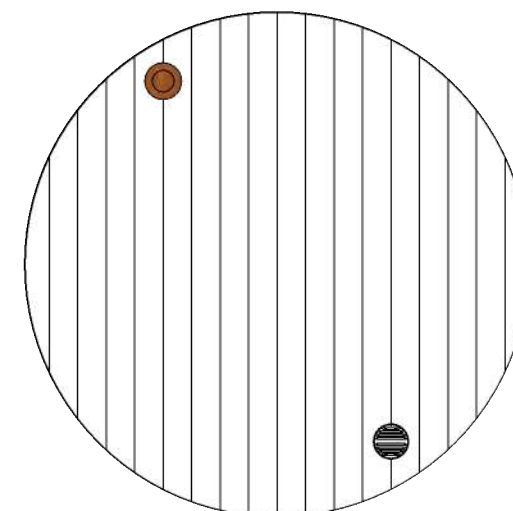
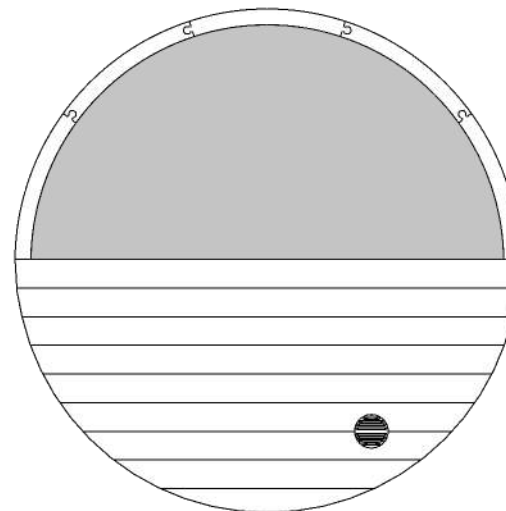
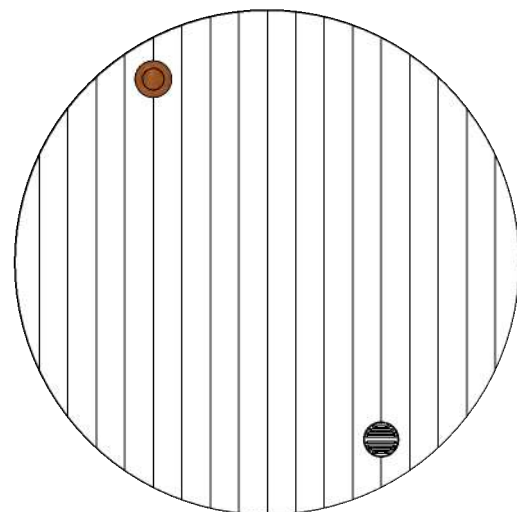
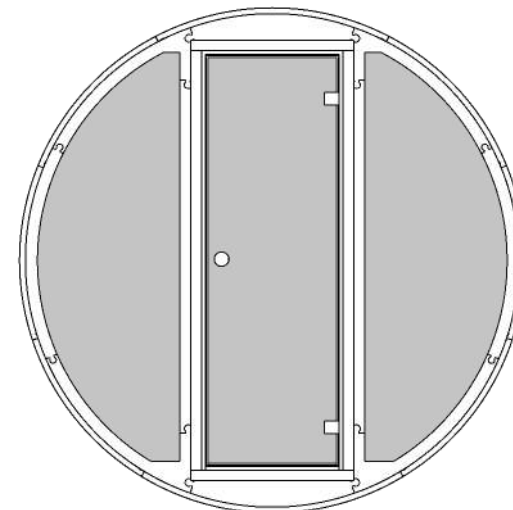
Sauna 150/180/220



Sauna 150/180/220

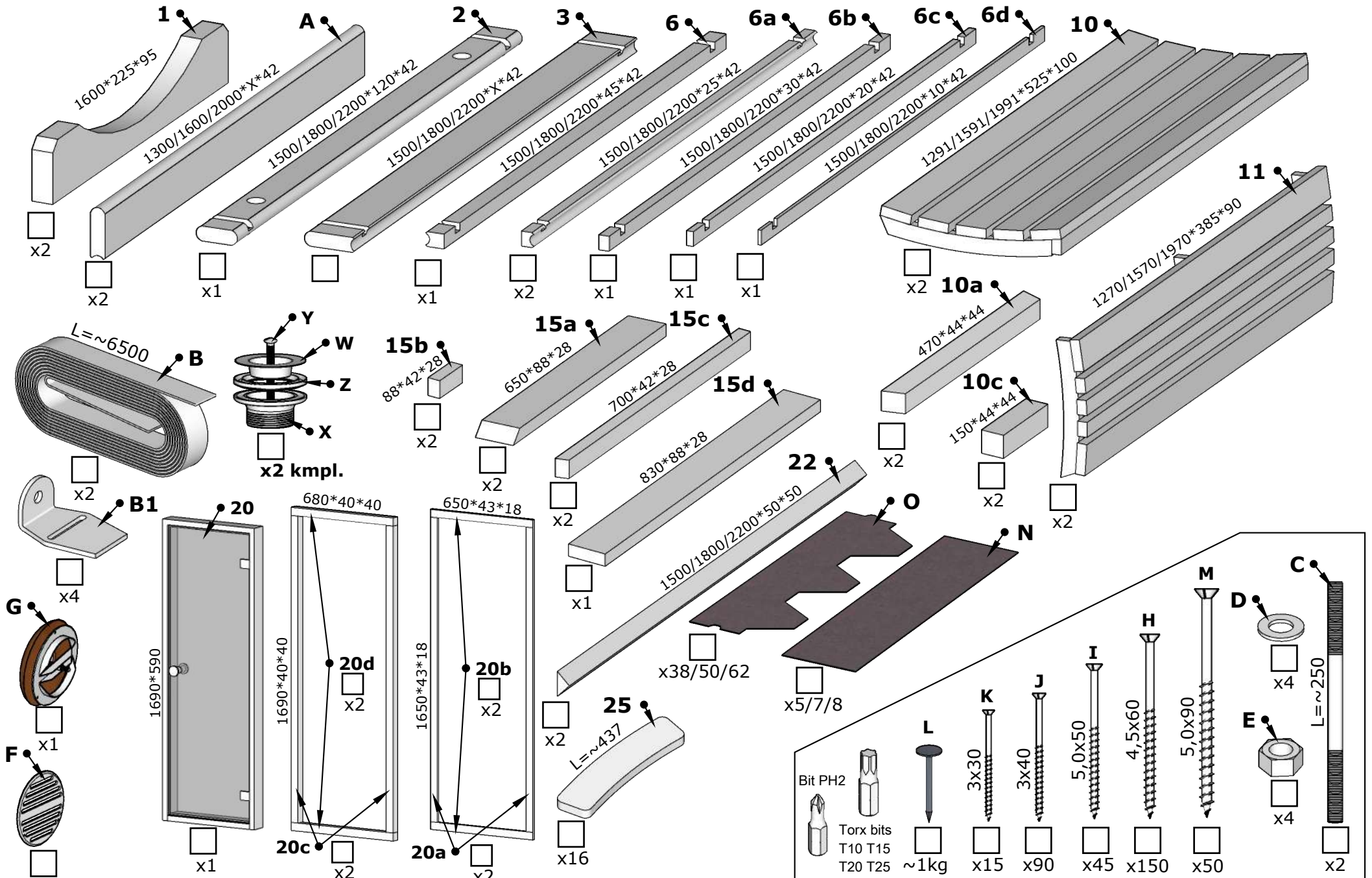


Sauna 180



Sauna 150/180/220, Ø200

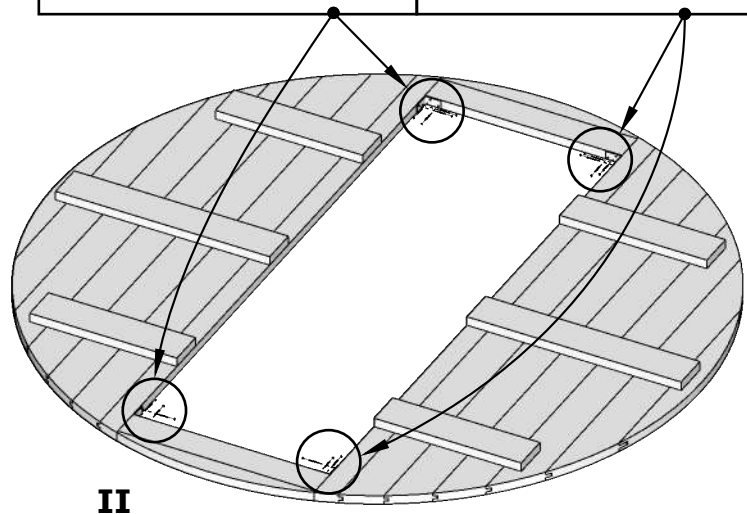
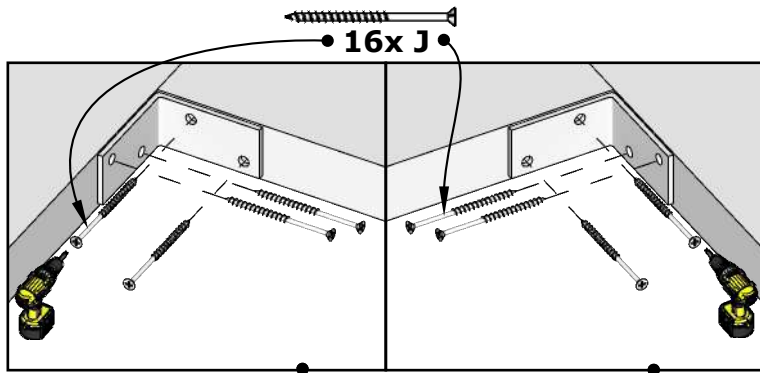
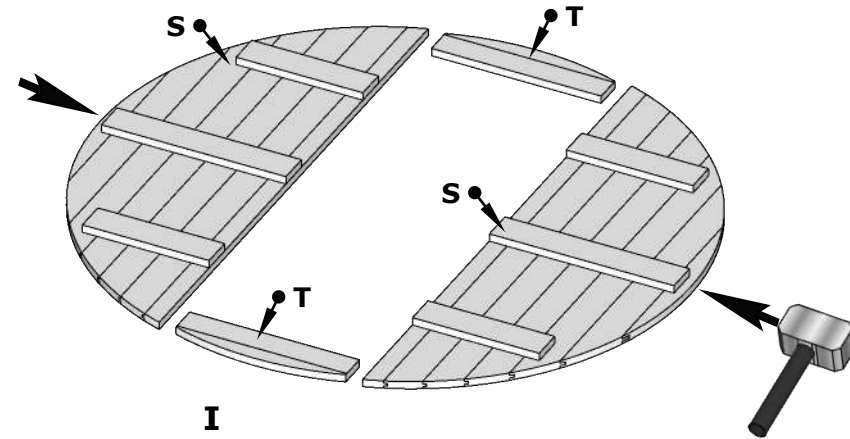
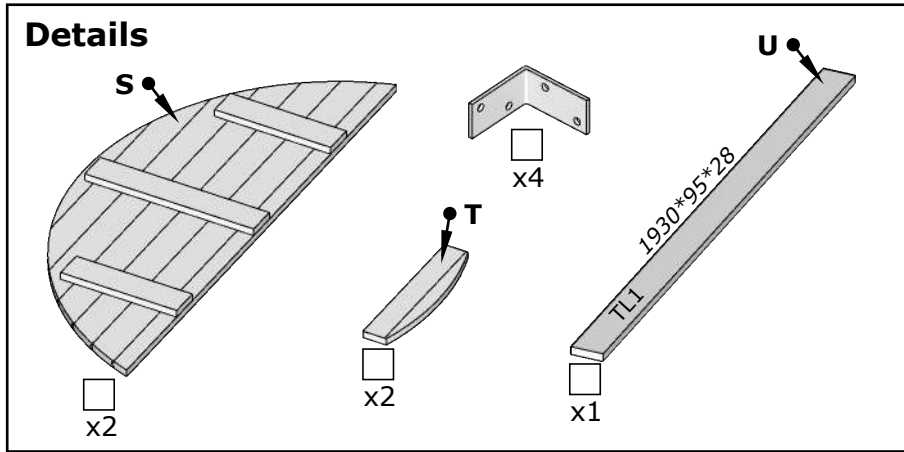
Details list.



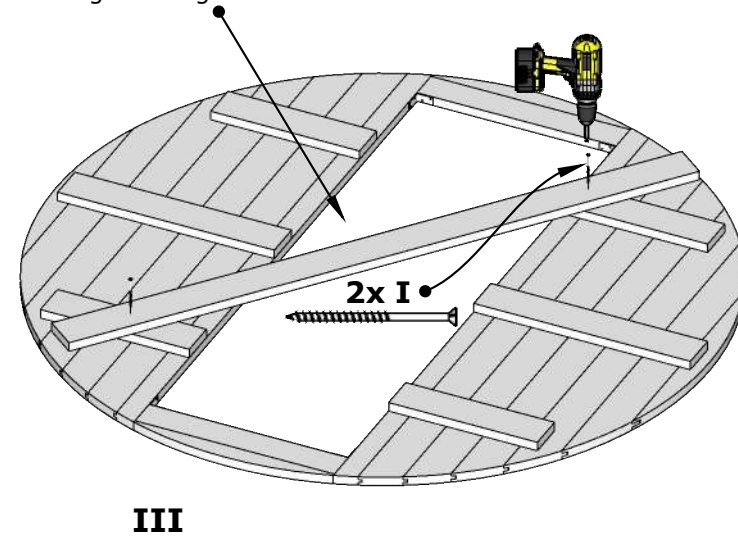
(US-101-PES-PTS-MM)

Wooden front wall assembly (Taga puitsein)

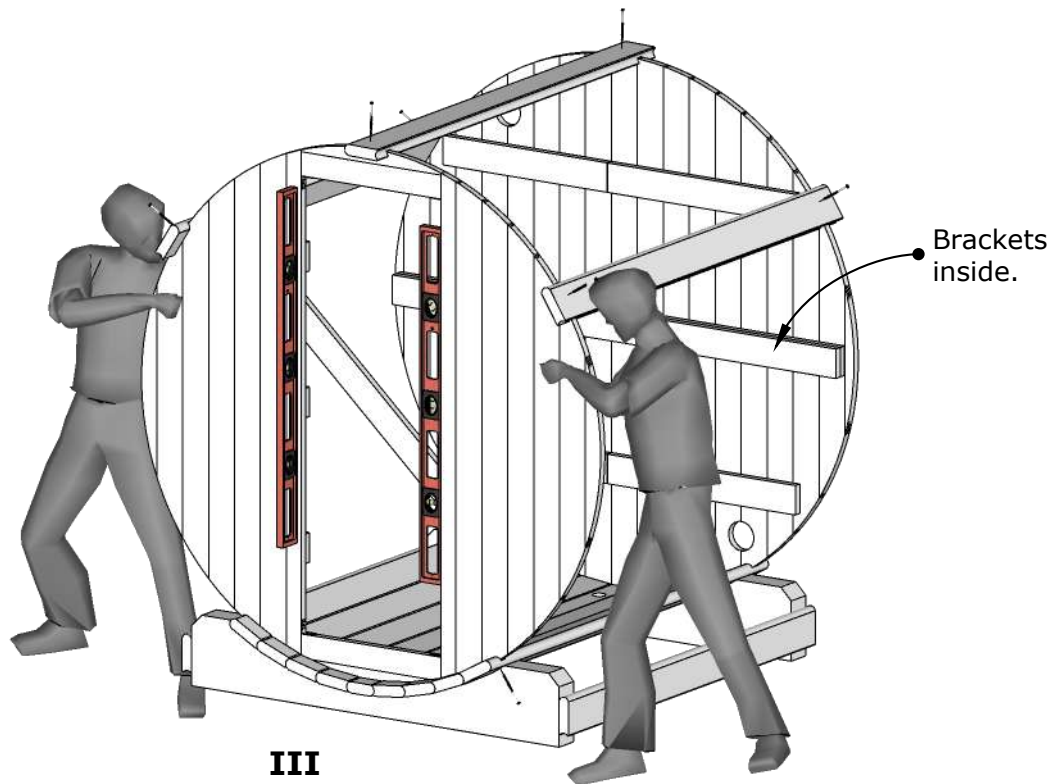
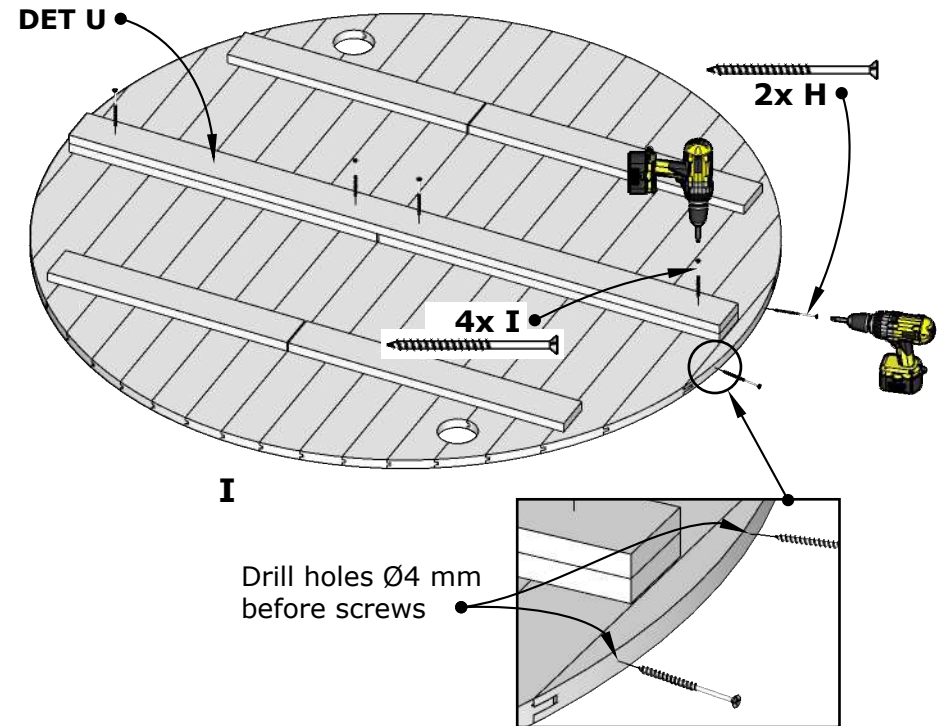
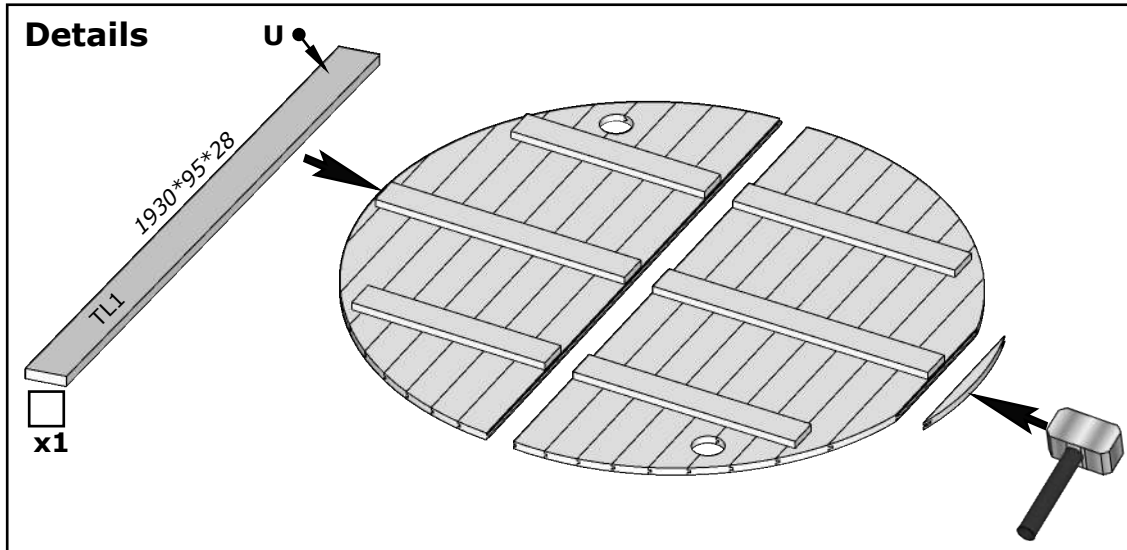
Details



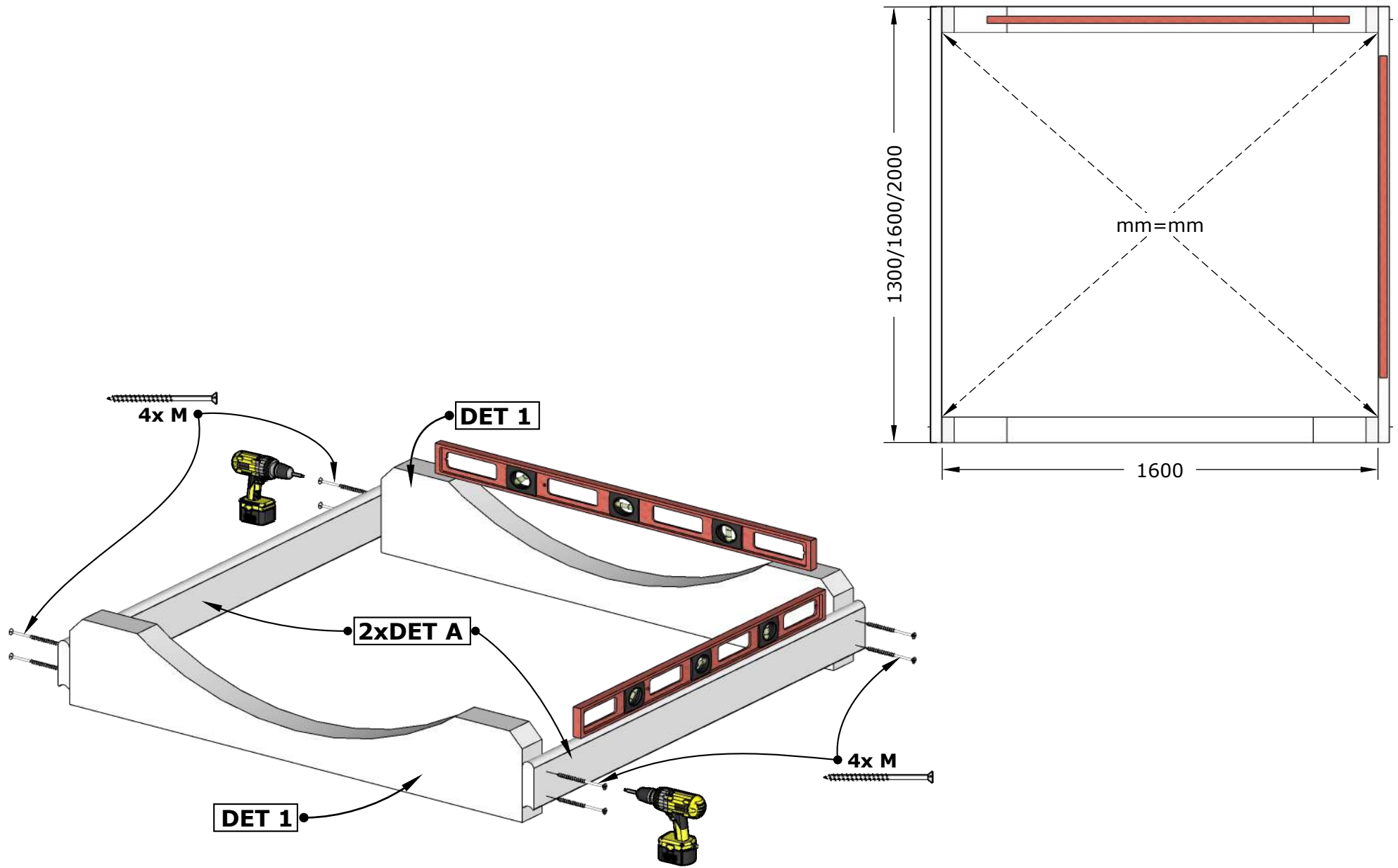
DET U Fix it diagonally to make wall more rigid during the installation.



Wooden back wall assembly



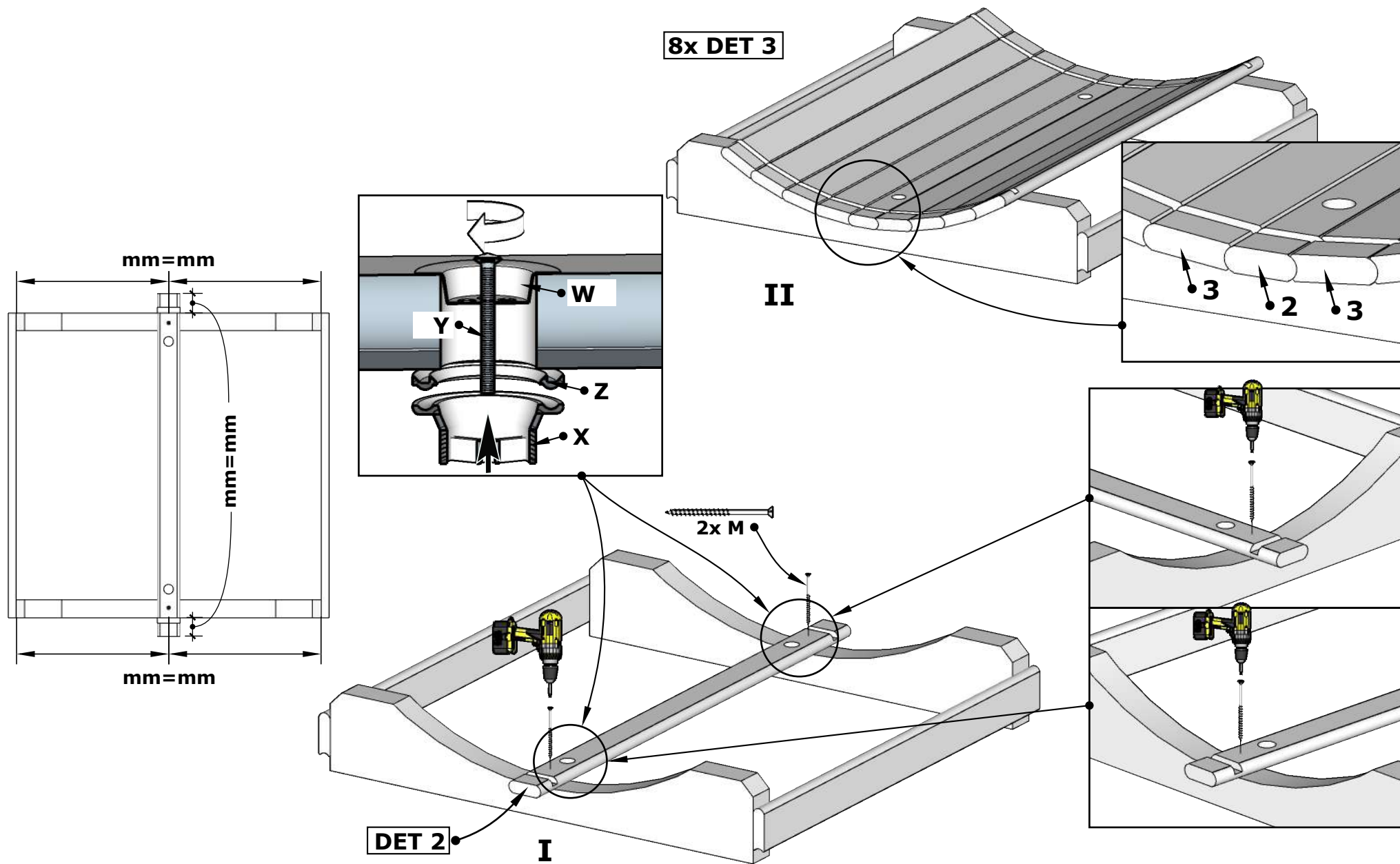
Sauna 150/180/220, Ø200



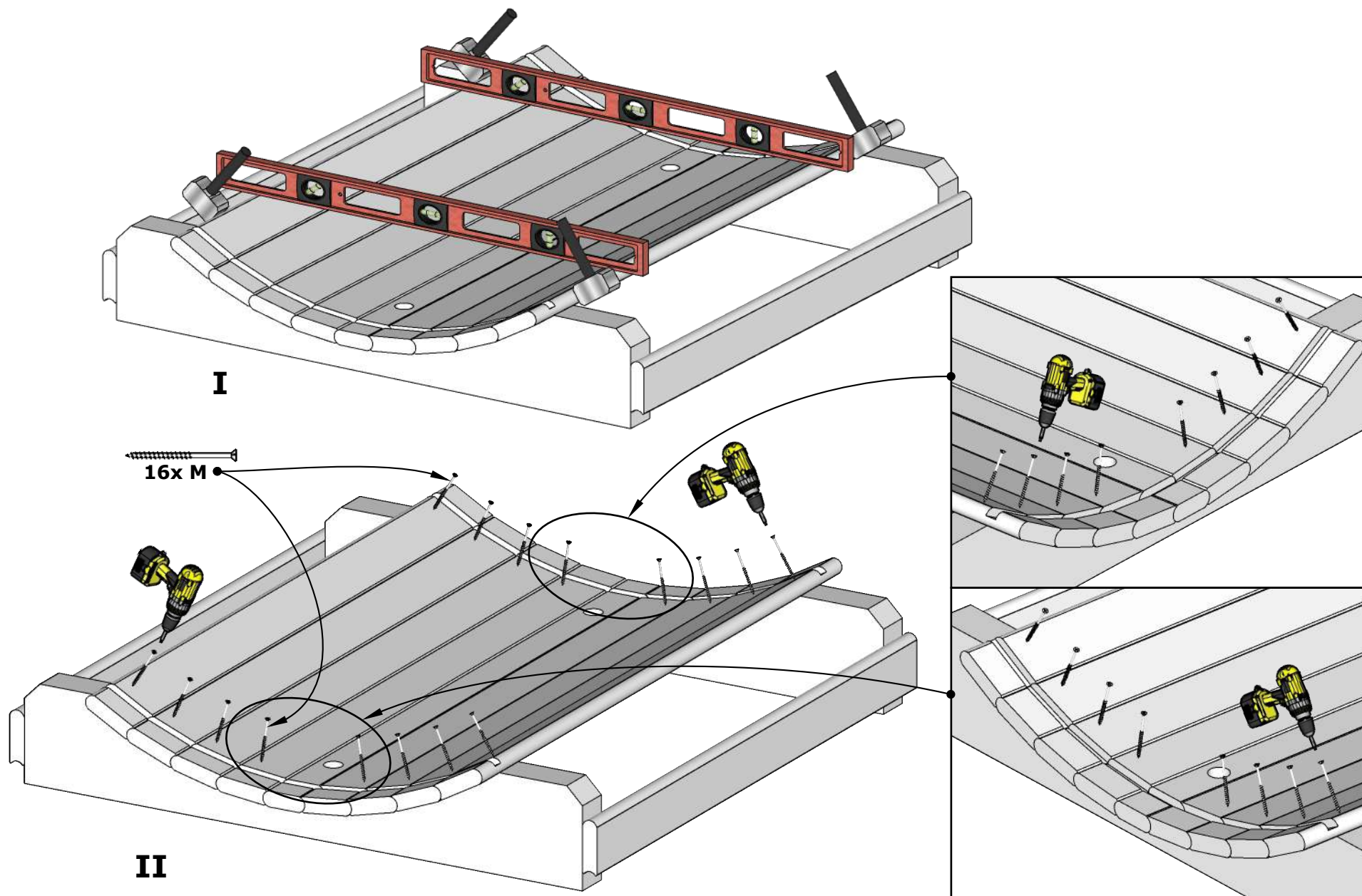
1.

(US-101-PES-PTS-MM)

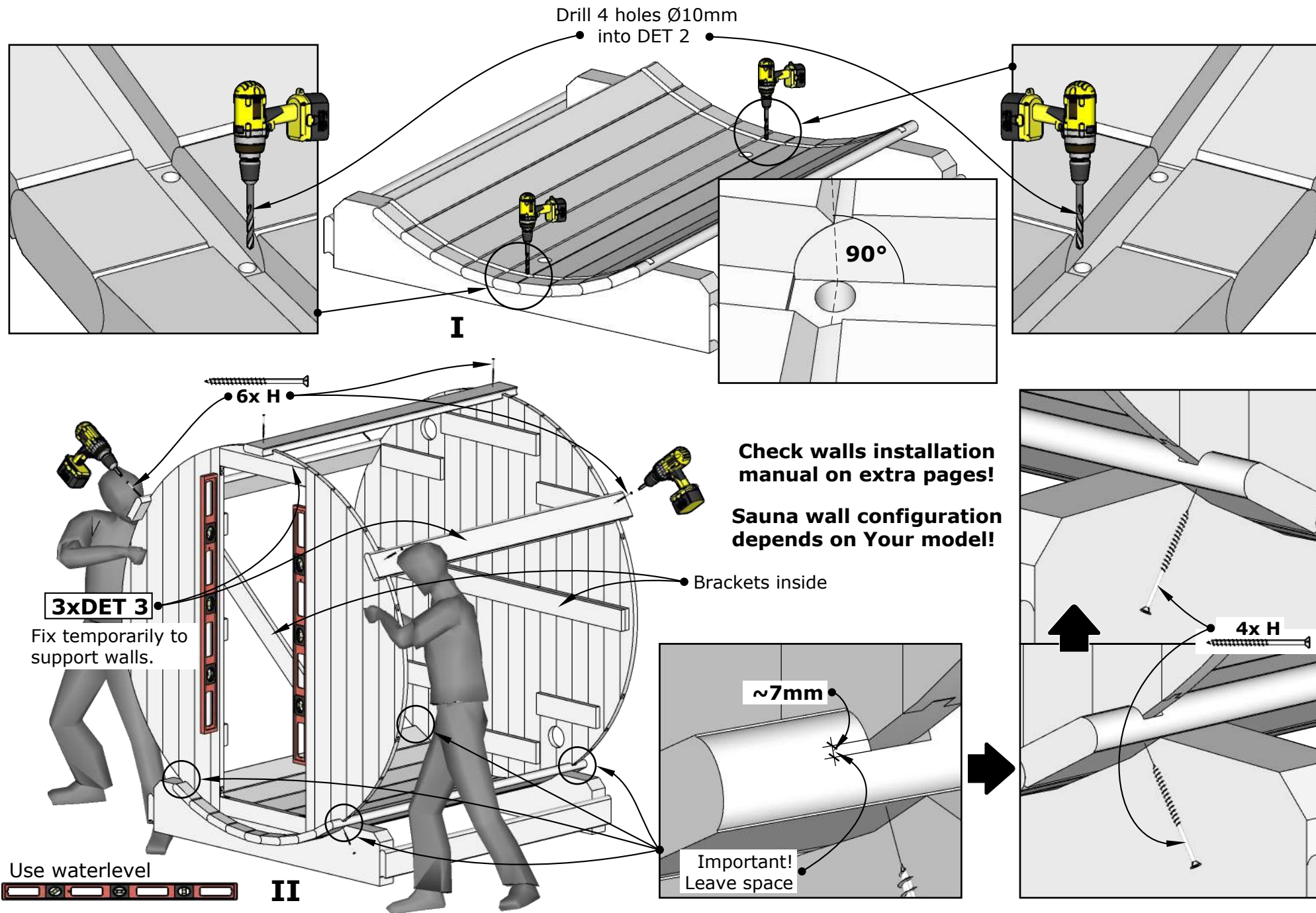
Sauna 150/180/220, Ø200



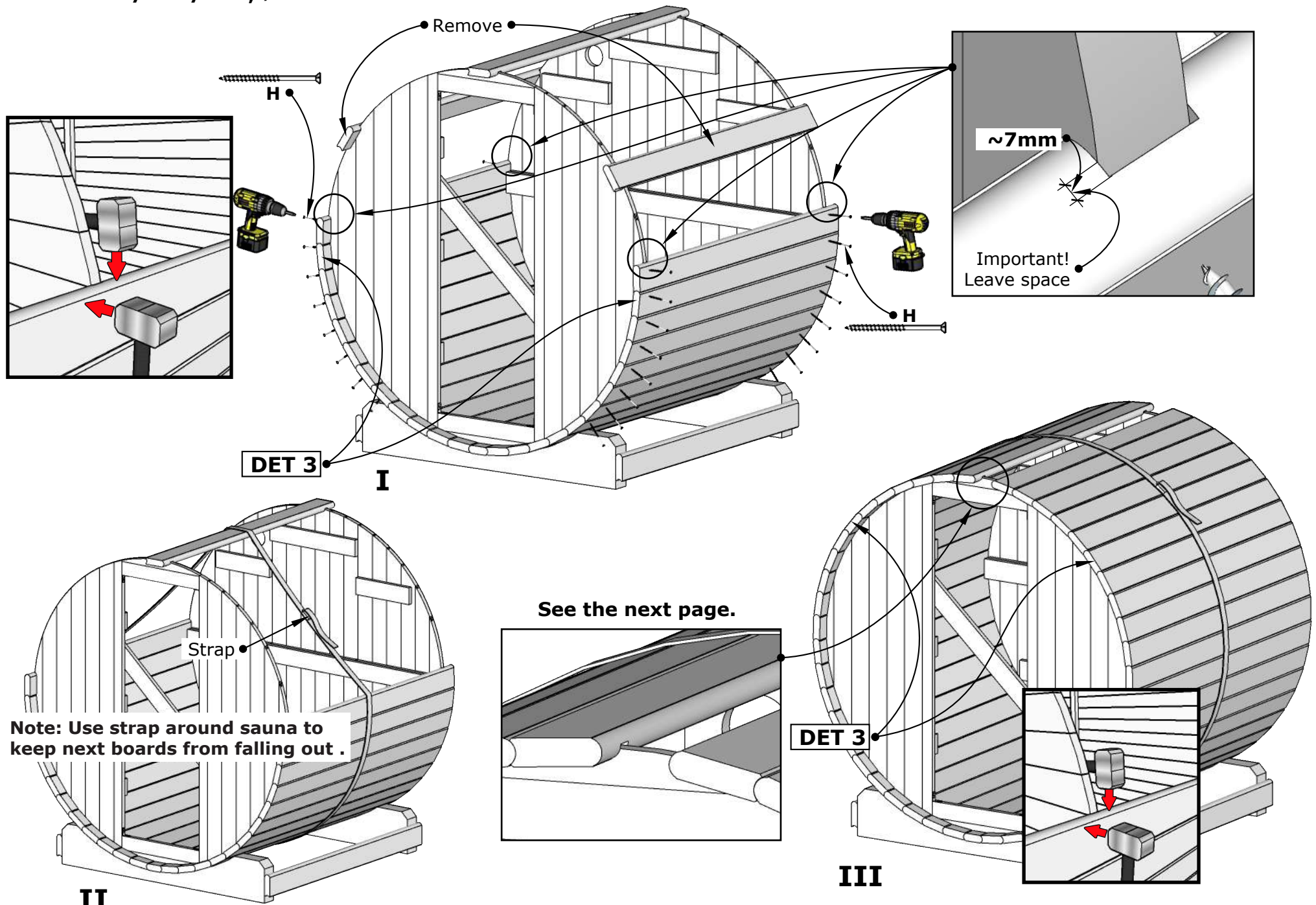
Sauna 150/180/220, Ø200



Sauna 150/180/220, Ø200



Sauna 150/180/220, Ø200

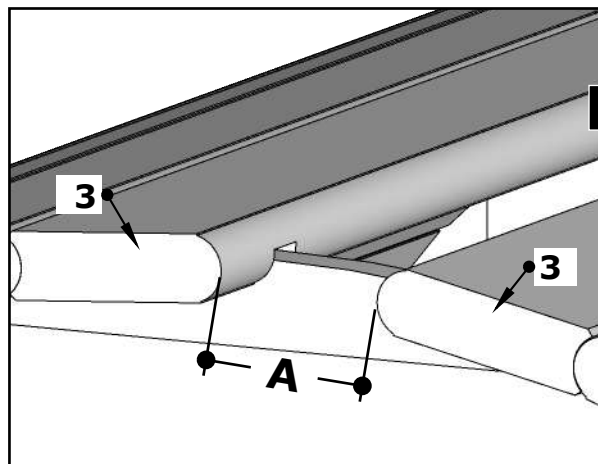


5.

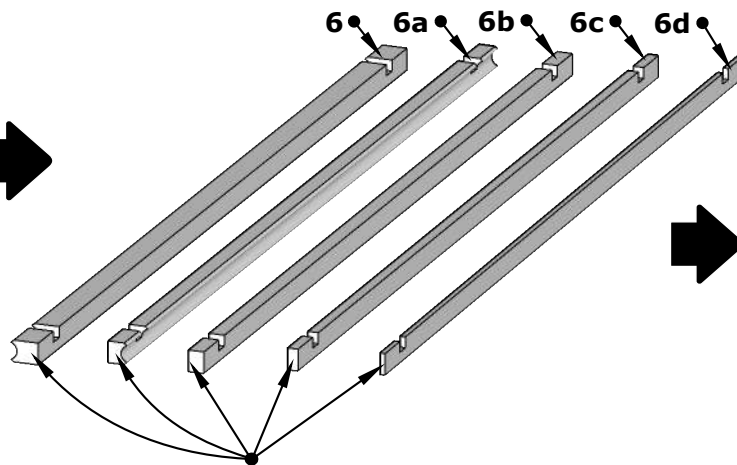
II

(US-101-PES-PTS-MM)

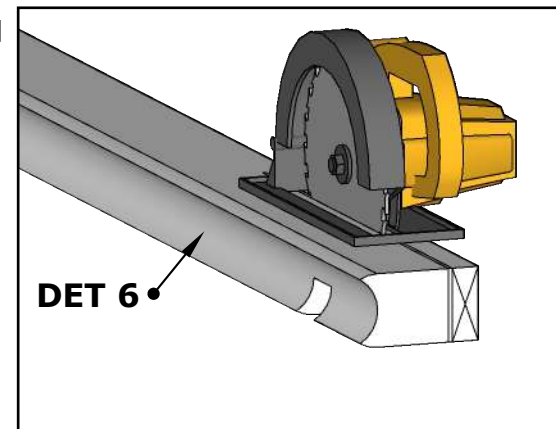
Sauna 150/180/220, Ø200



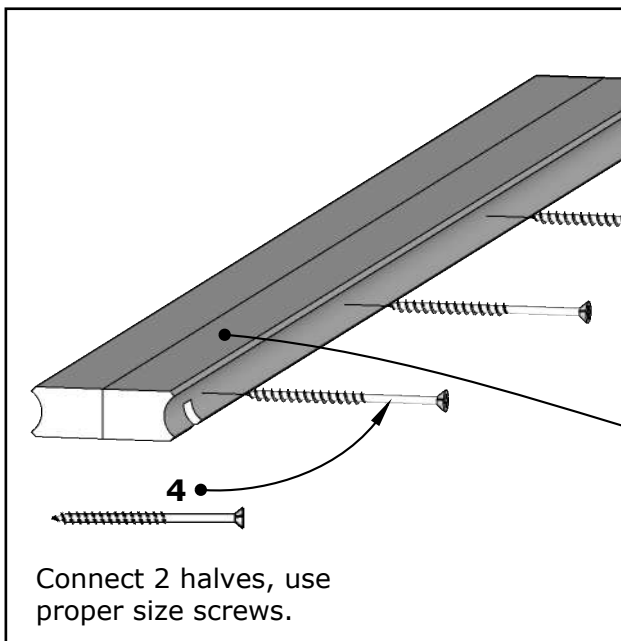
I



Combine details to get closest match to **A** value. It's recommended that combined details **A** value is slightly bigger than measurement.

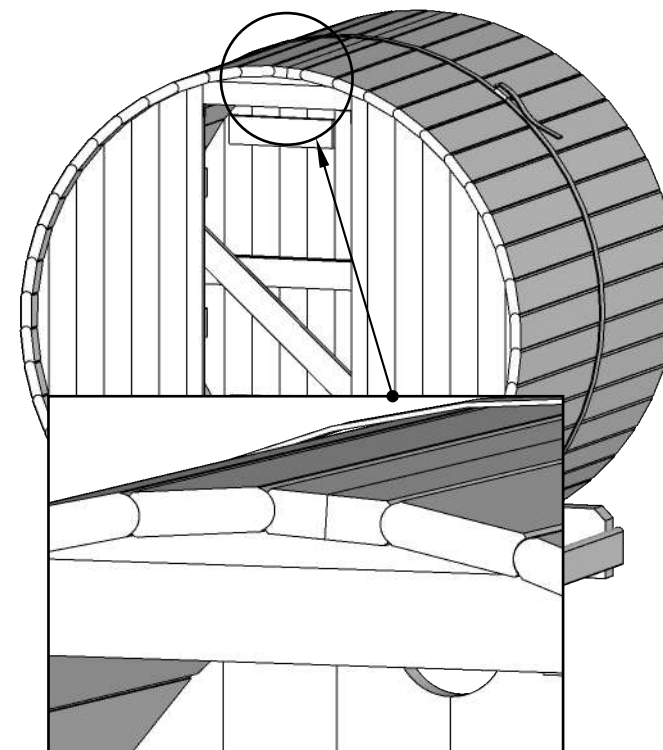
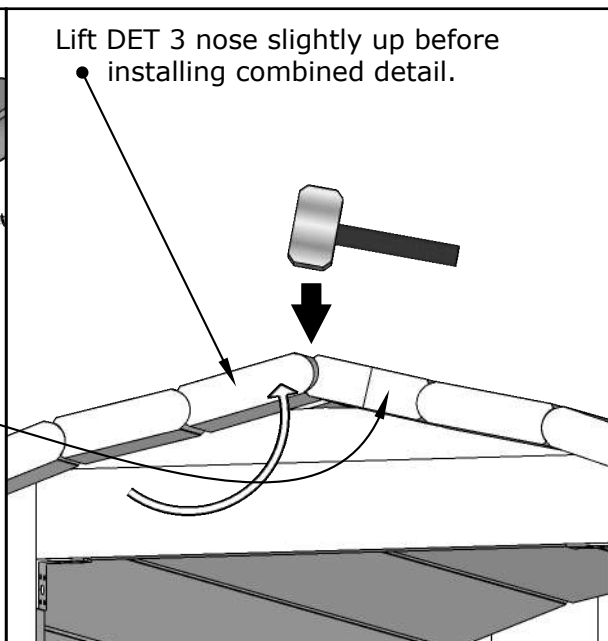


As the last resort, You can cut detail on right size.



Connect 2 halves, use proper size screws.

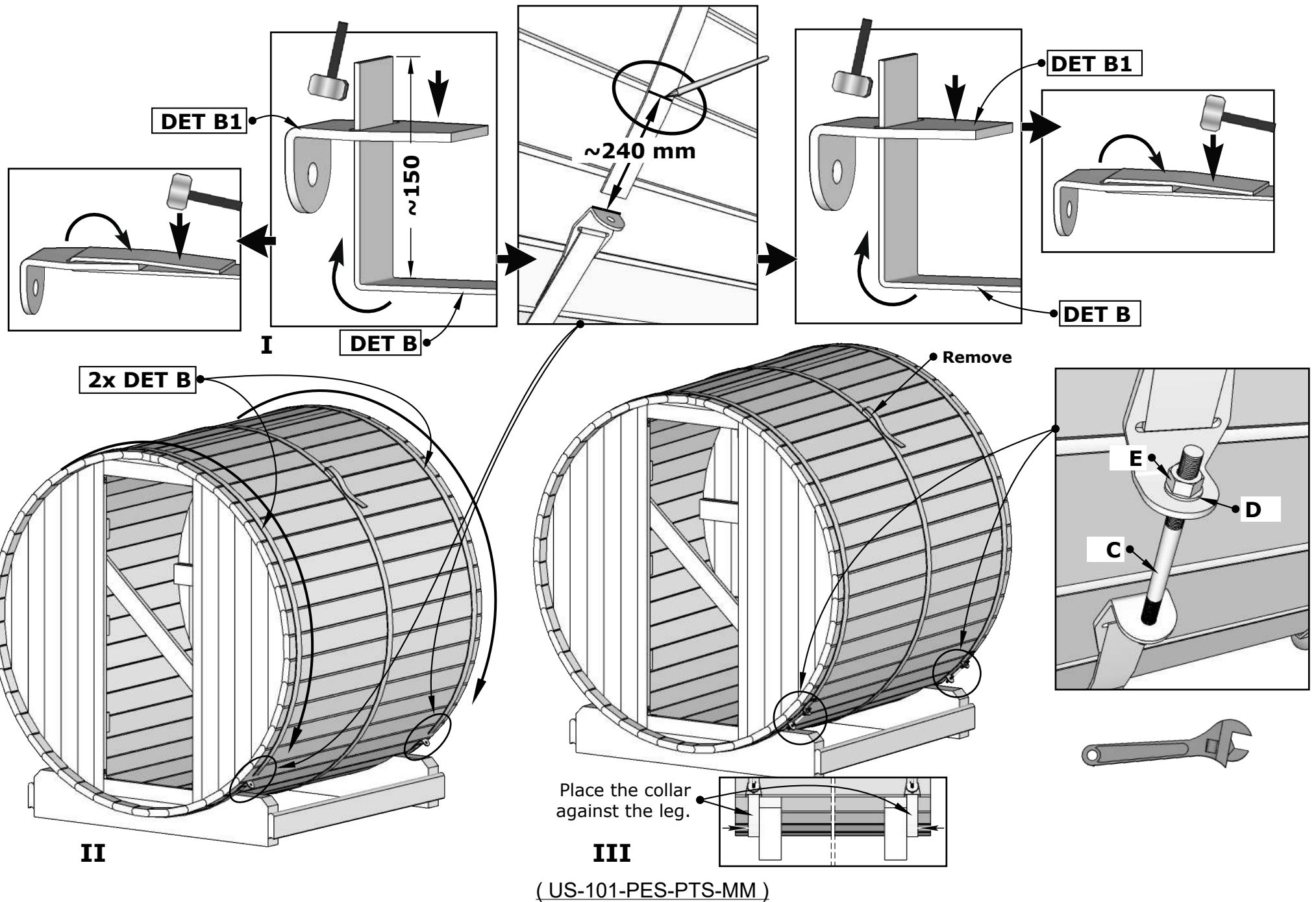
II



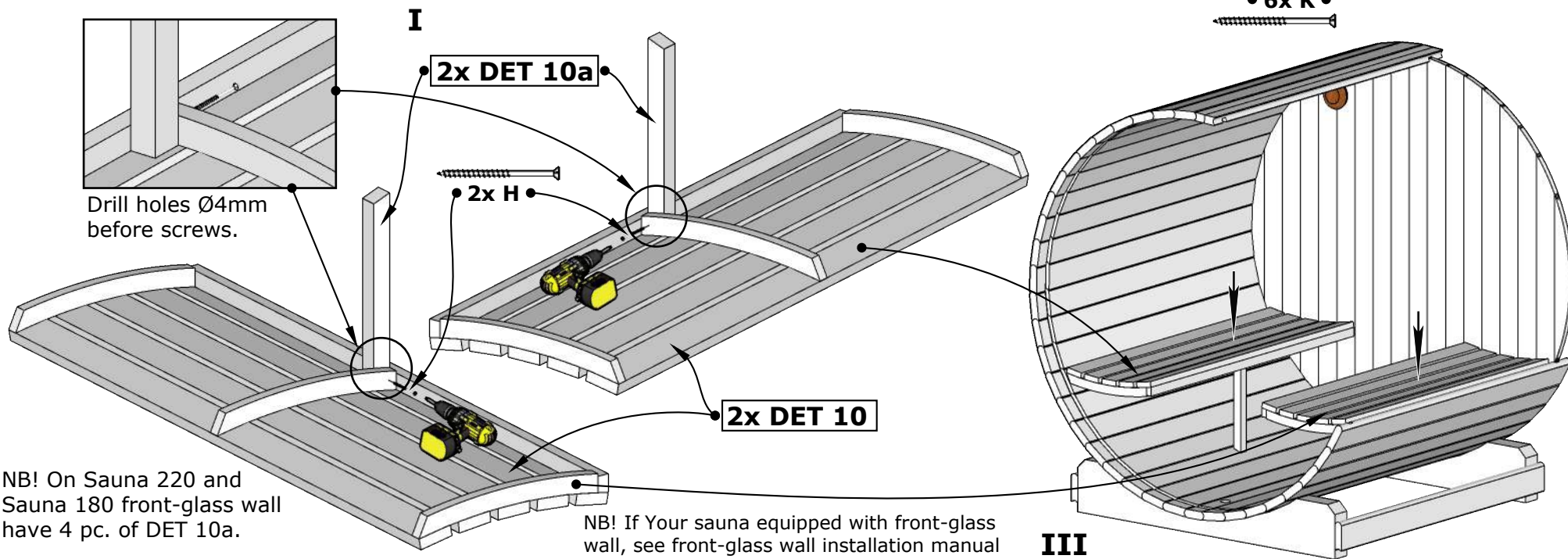
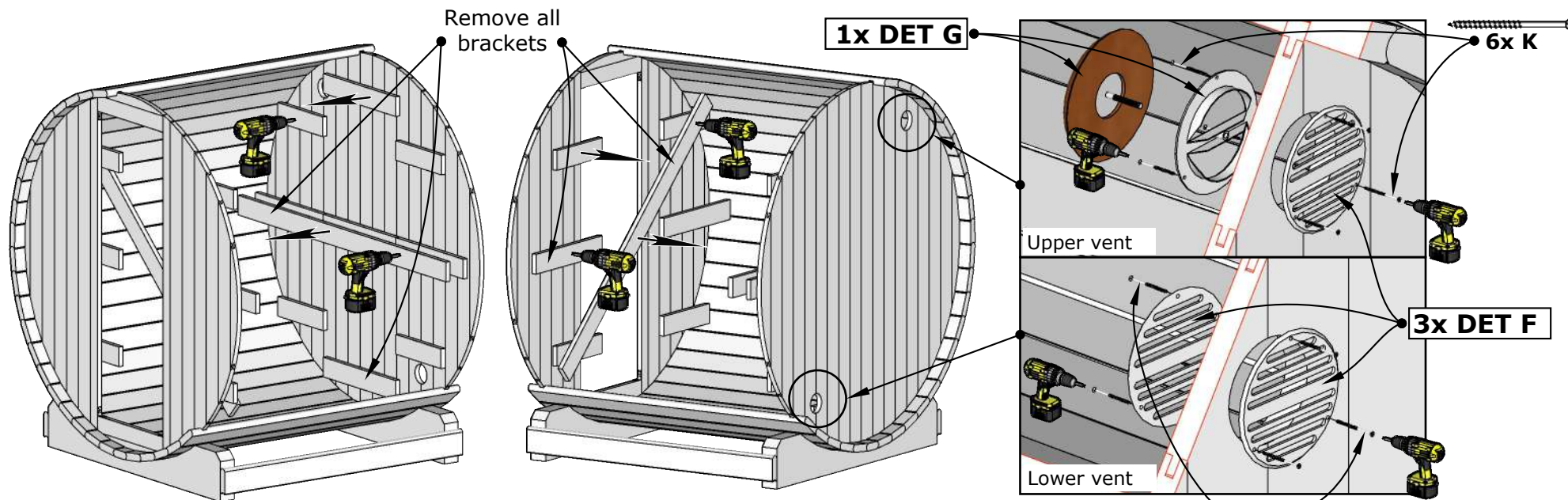
III

6.

Sauna 150/180/220, Ø200

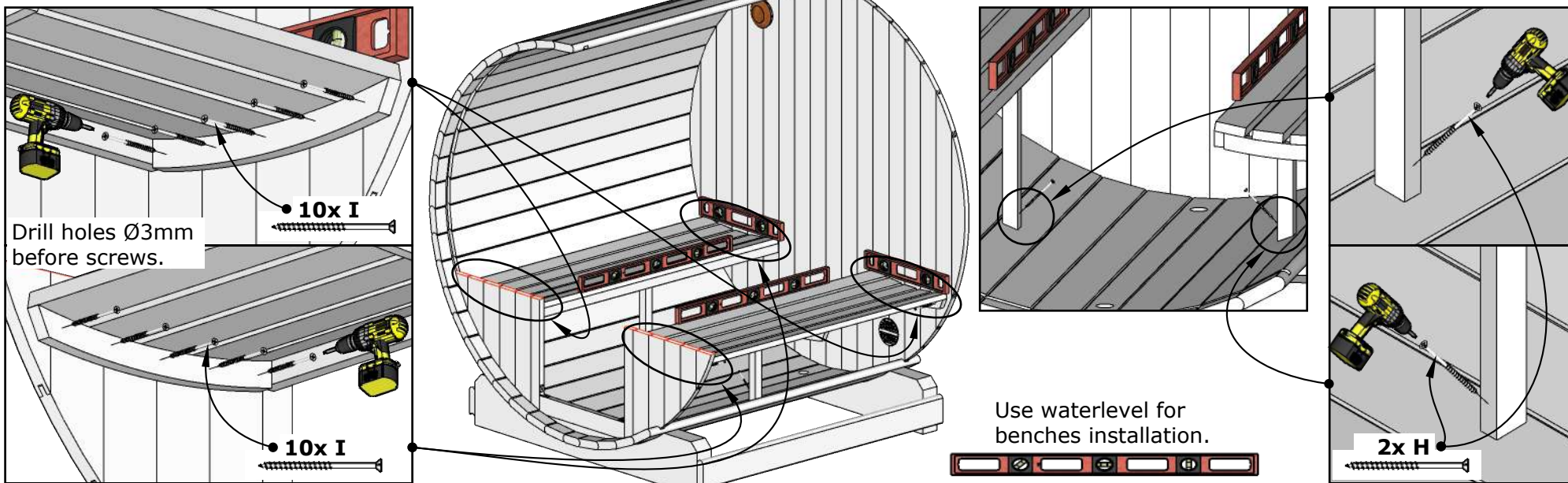


Sauna 150/180/220, Ø200

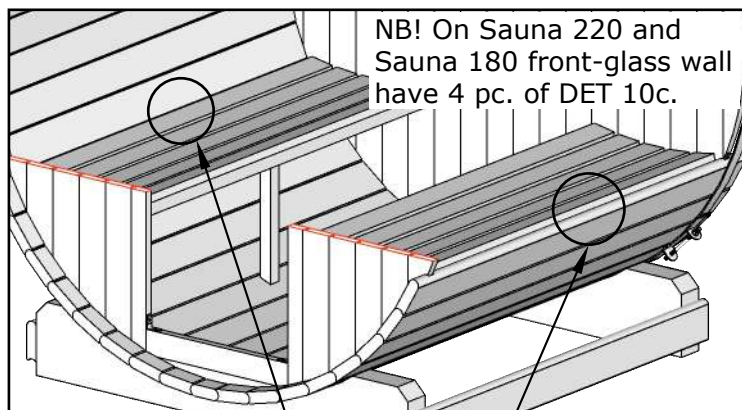


8.

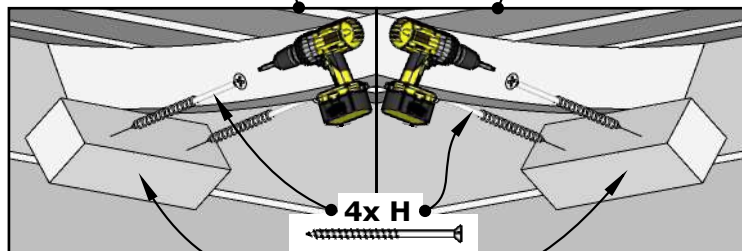
Sauna 150/180/220, Ø200



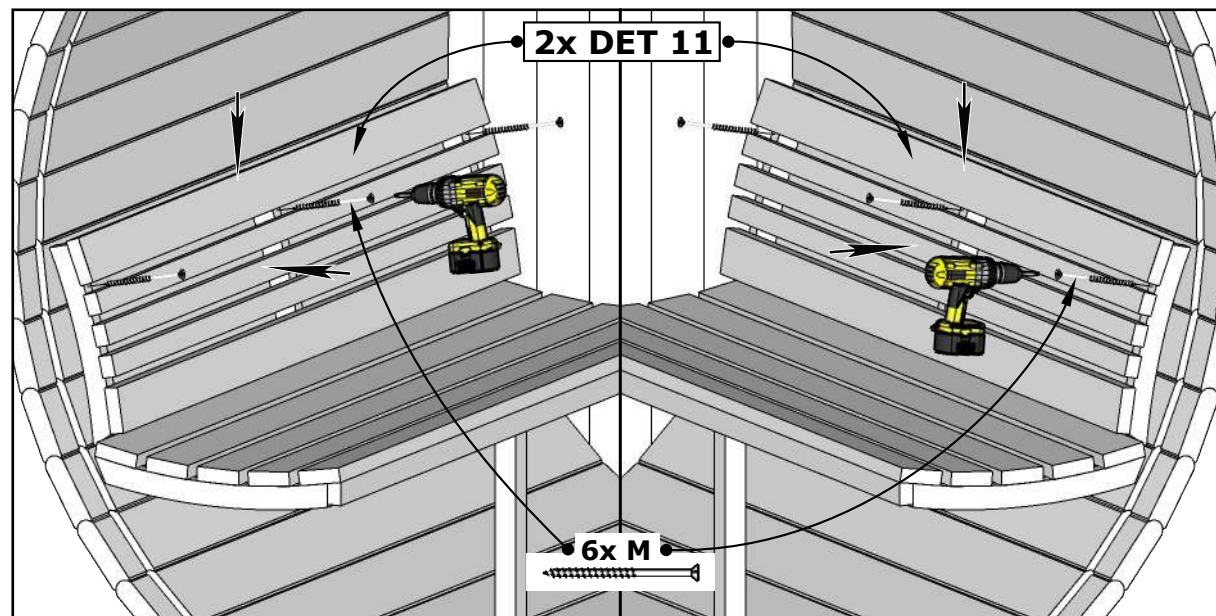
I



Under the benches

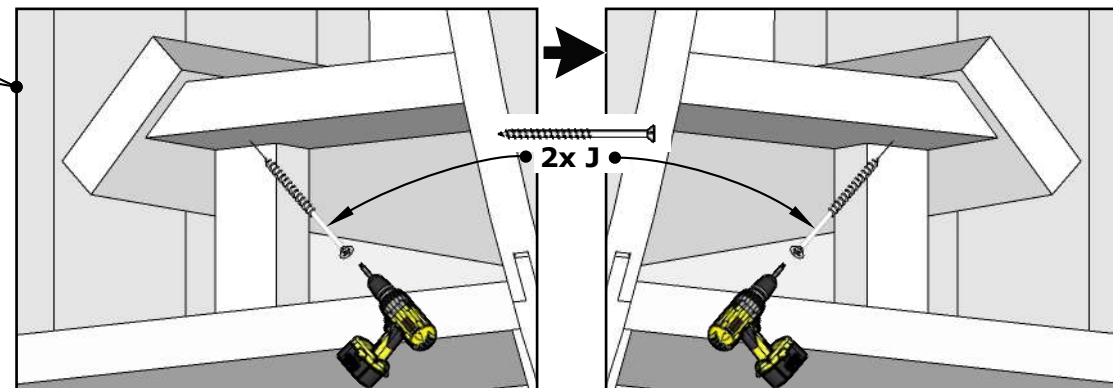
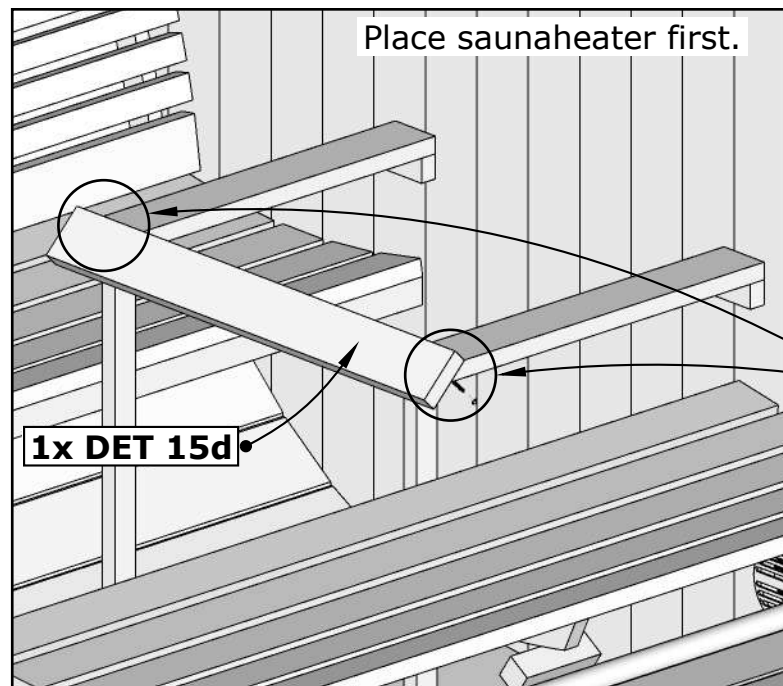
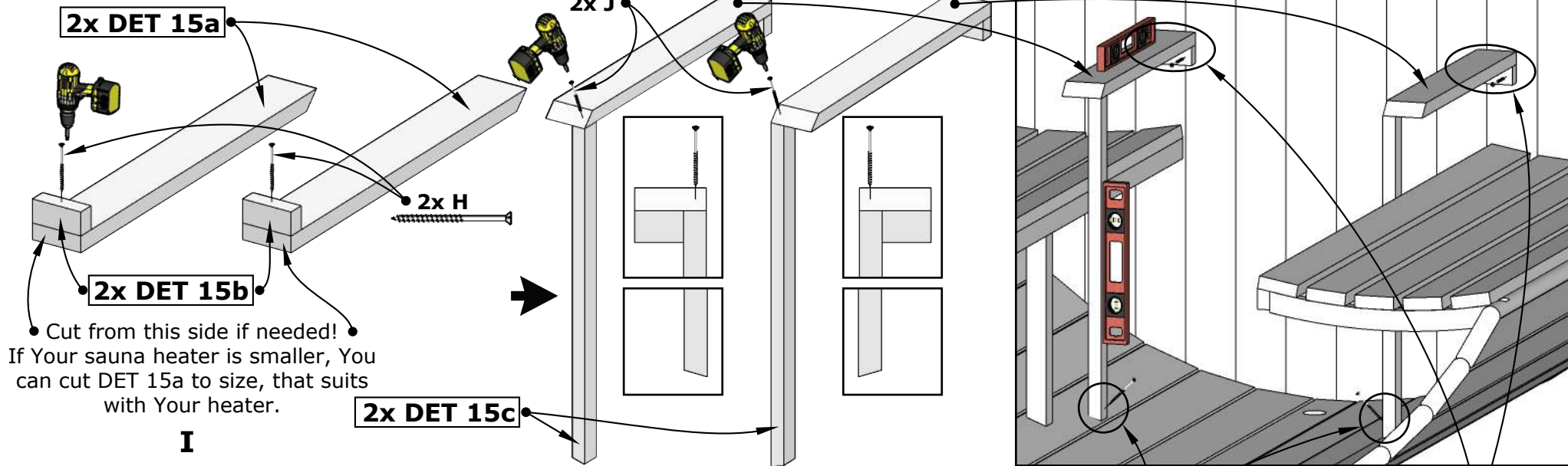


II

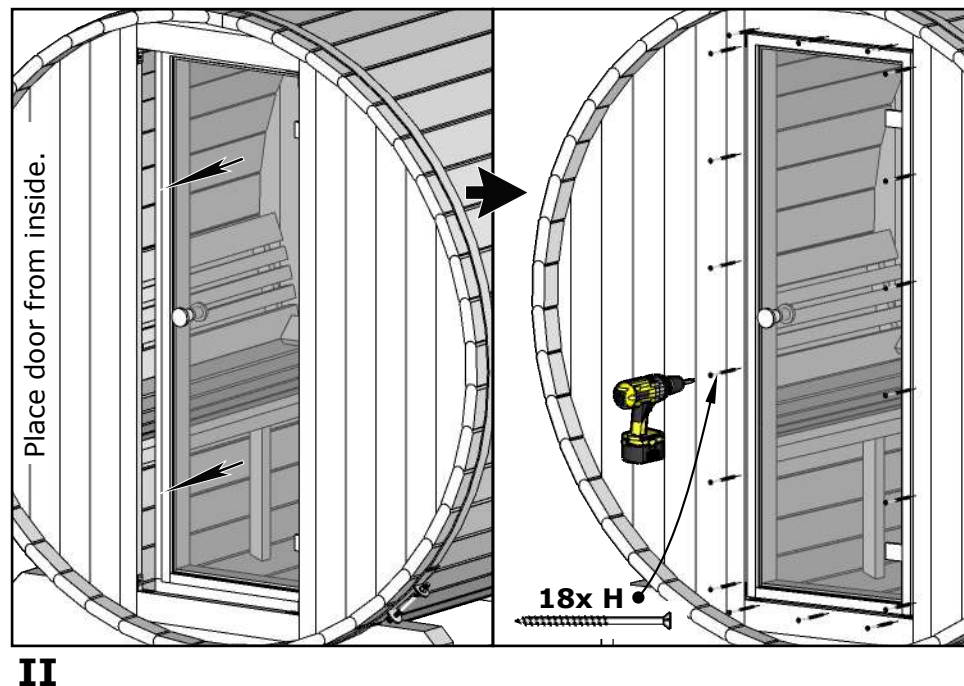
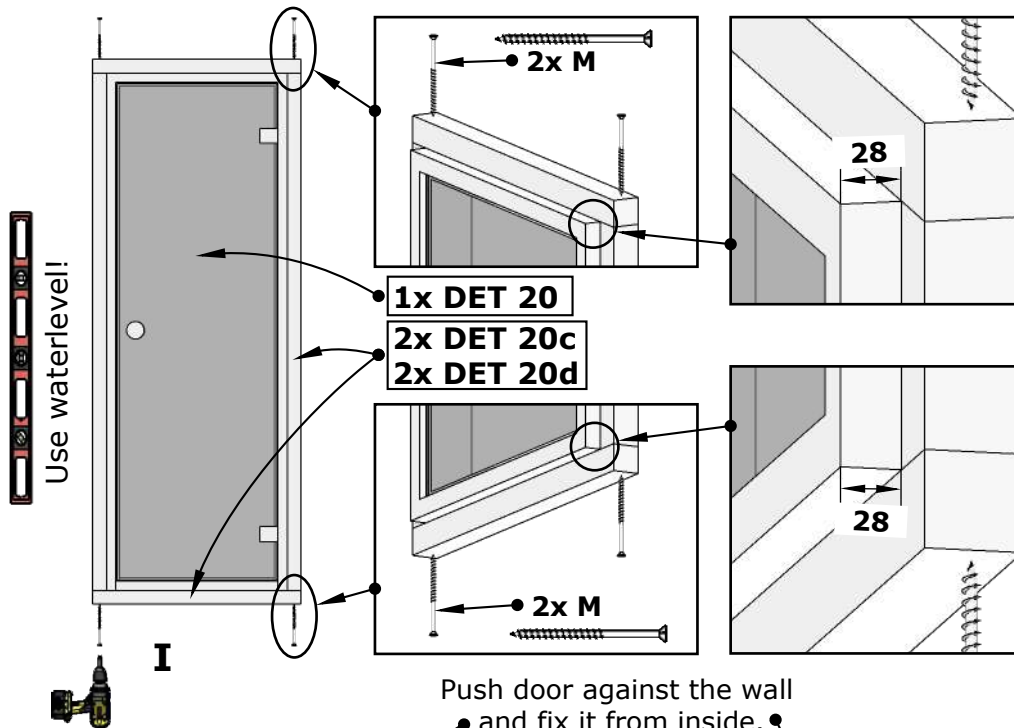


III

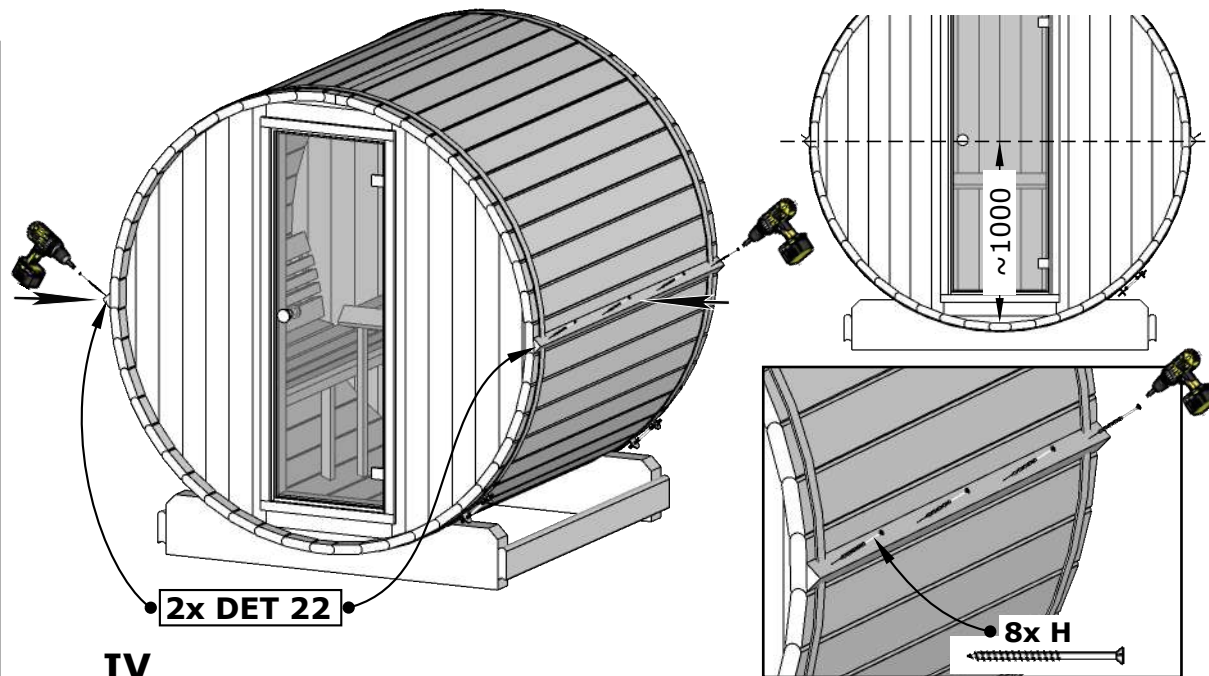
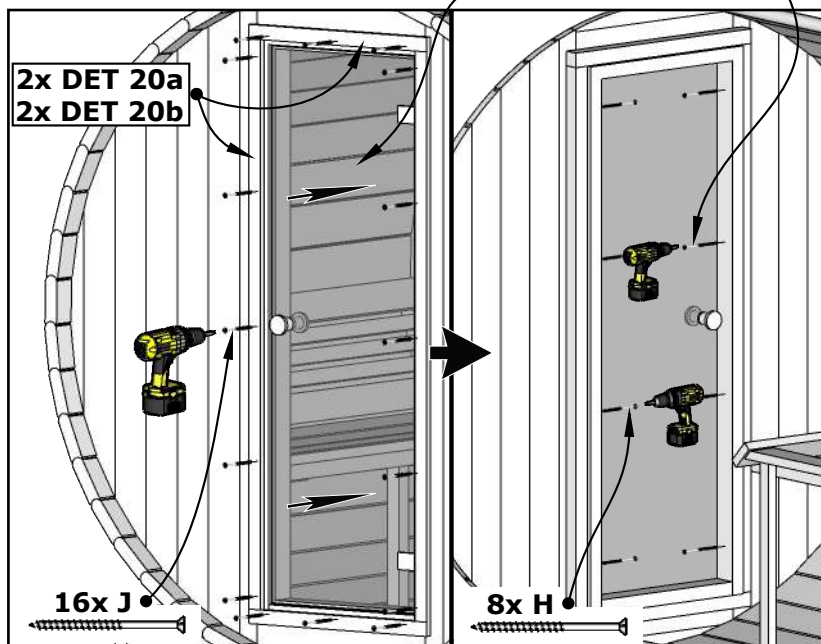
Sauna 150/180/220, Ø200



Sauna 150/180/220, Ø200



Push door against the wall
and fix it from inside.

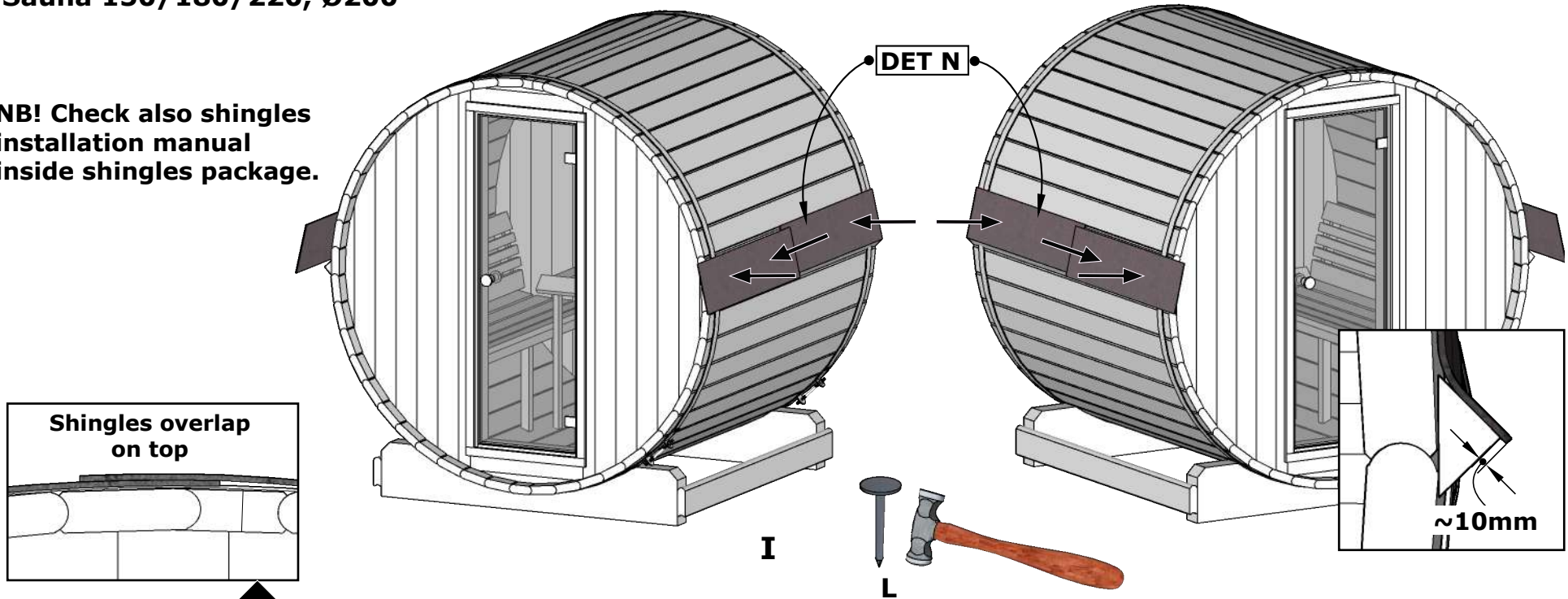


11. III

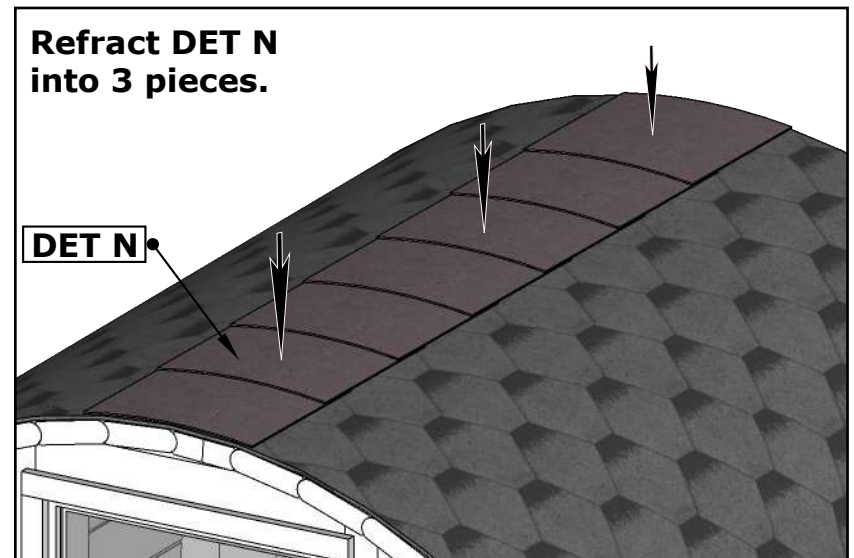
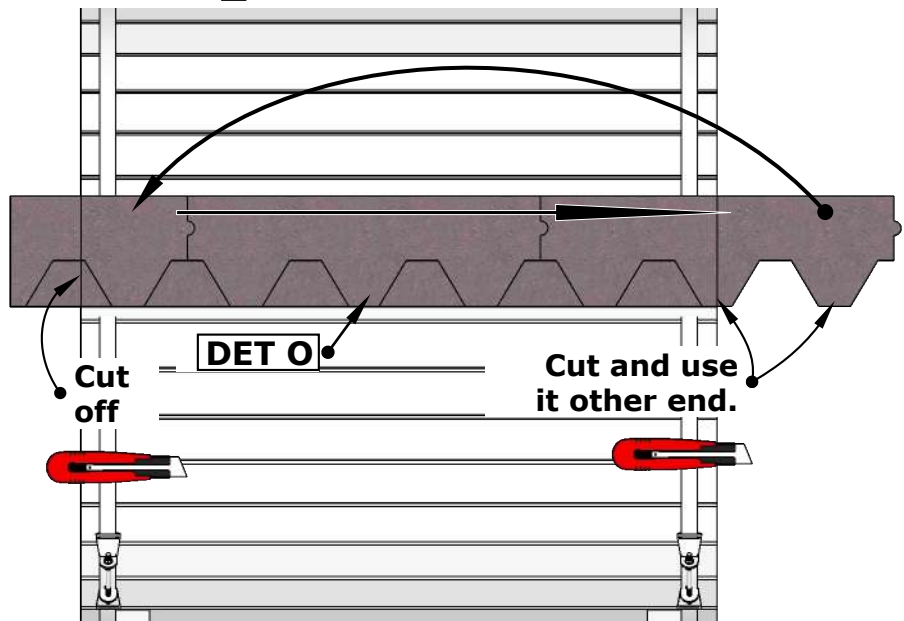
(US-101-PES-PTS-MM)

Sauna 150/180/220, Ø200

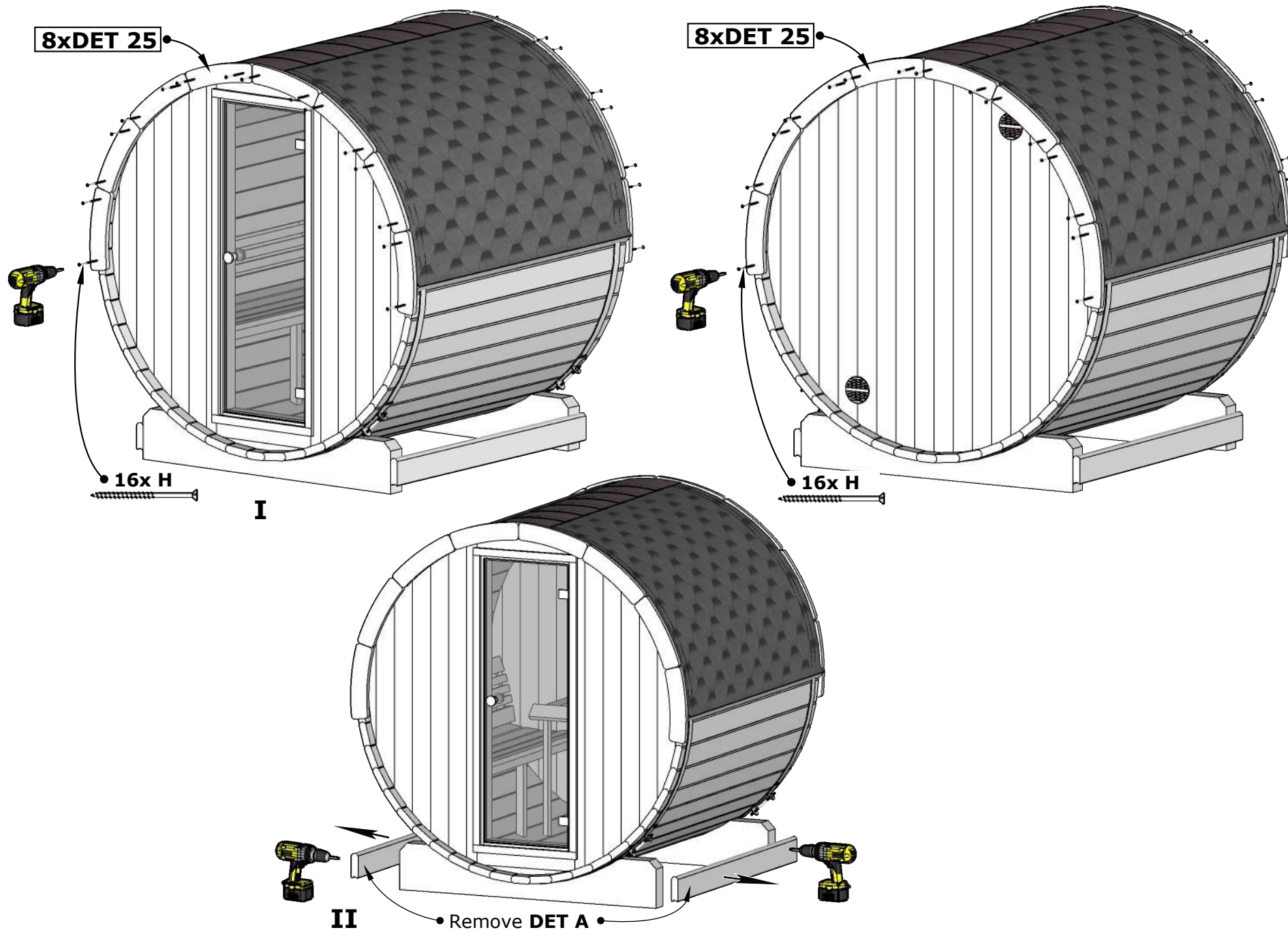
NB! Check also shingles installation manual inside shingles package.



Check also roof shingles installation manual inside package.



Sauna 150/180/220, Ø200



13.

(US-101-PES-PTS-MM)