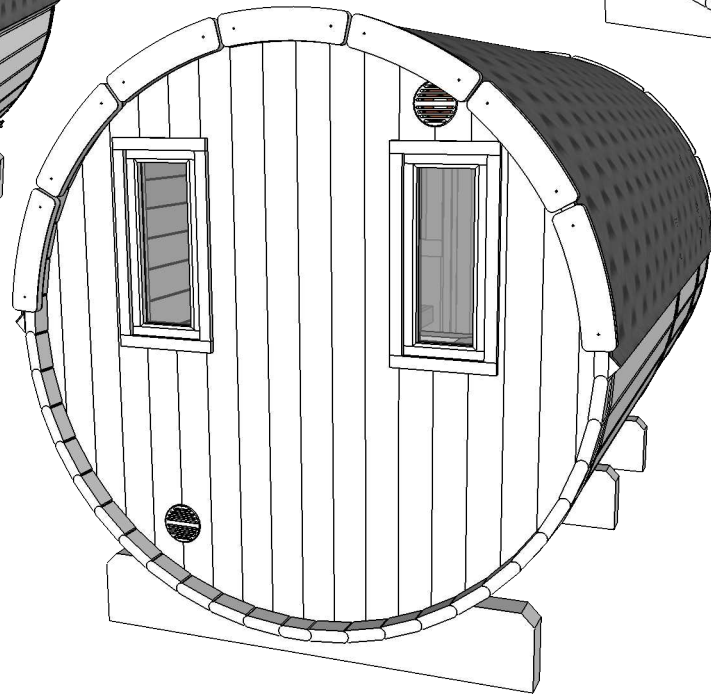
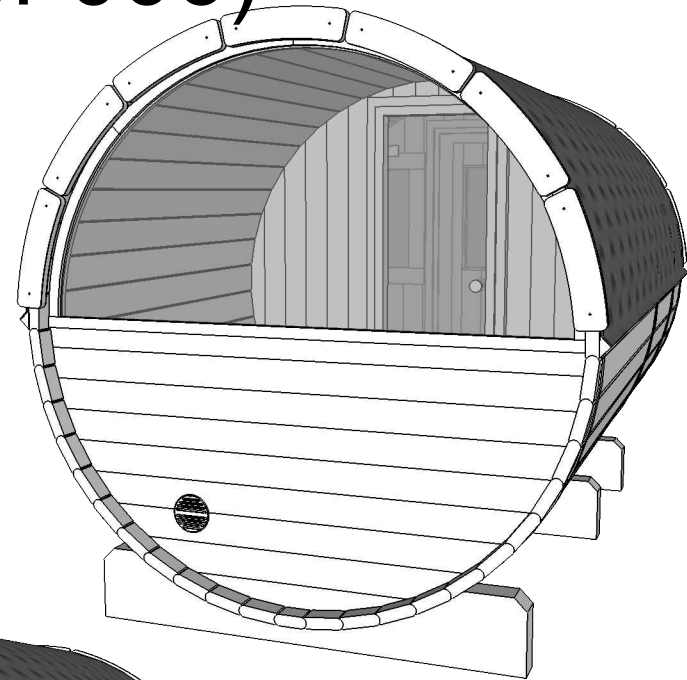
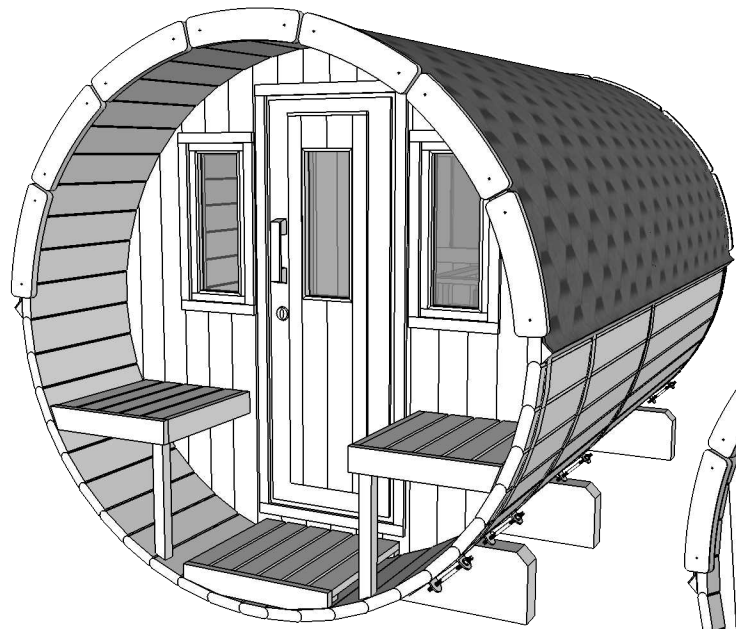


Sauna 330,Ø200 (terrace) installation (EM-006)

**Please read whole manual
carefully before start!**

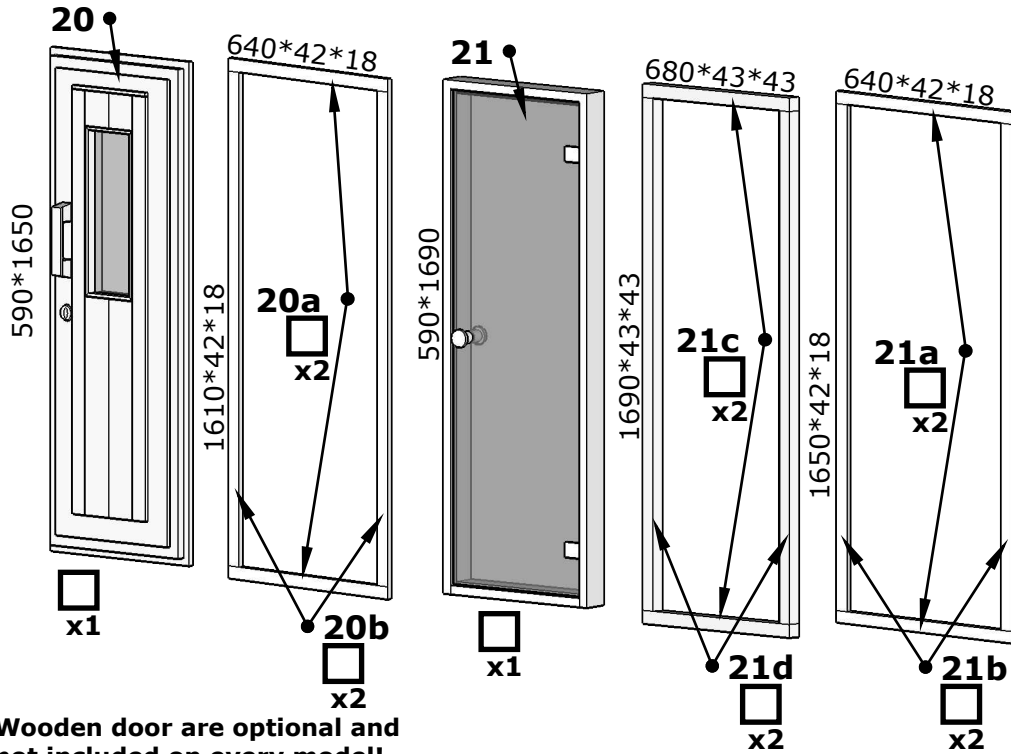
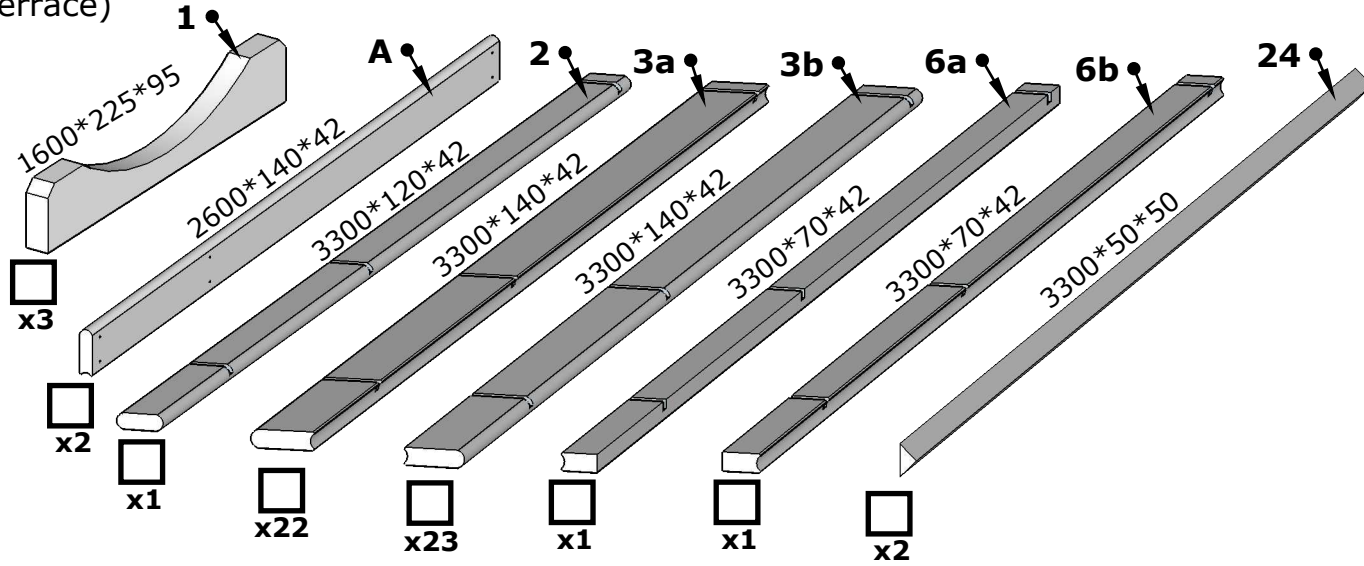
All given measurements are in millimeters.



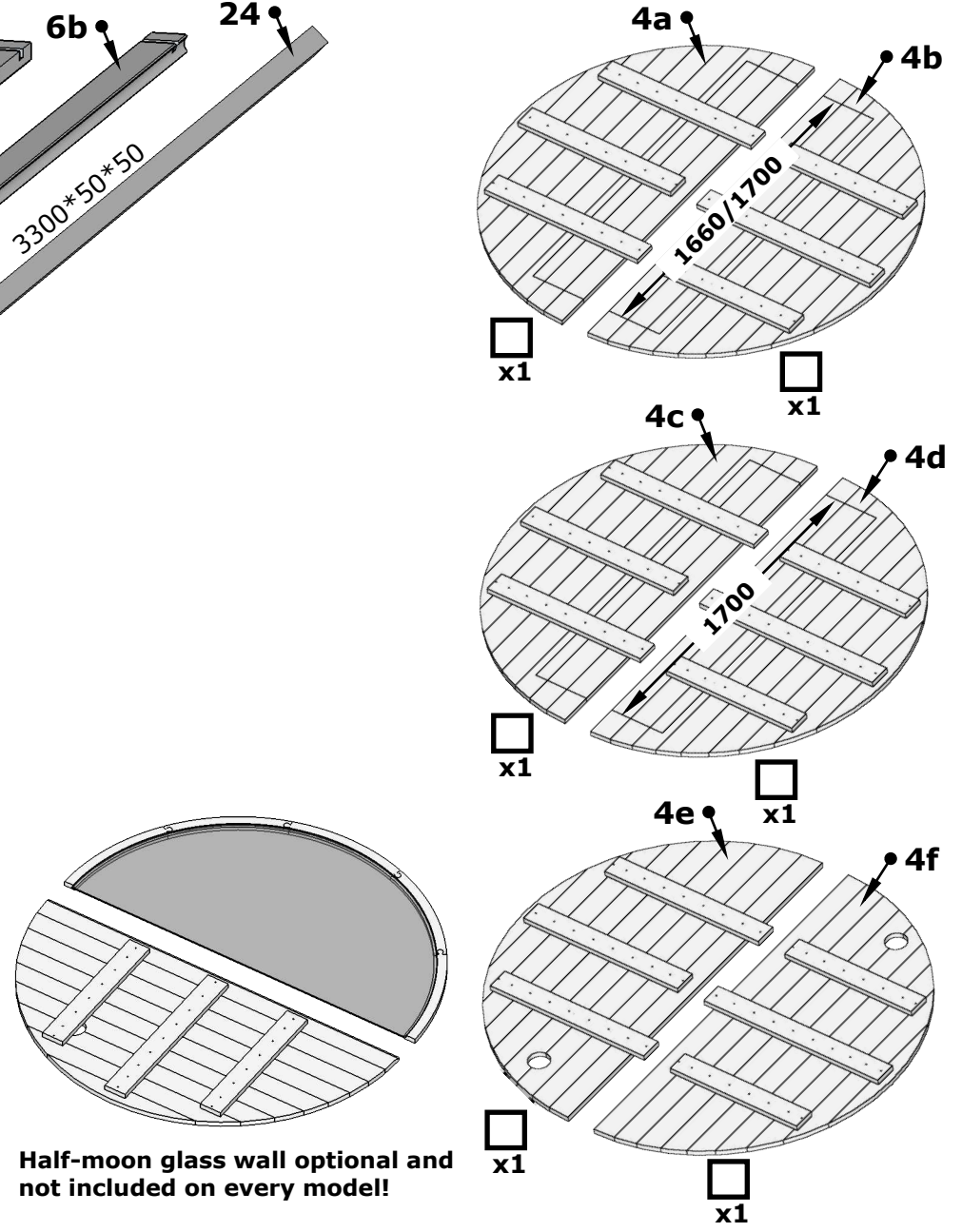
SAUNA 330, D200

(terrace)

Details list Nr. 1



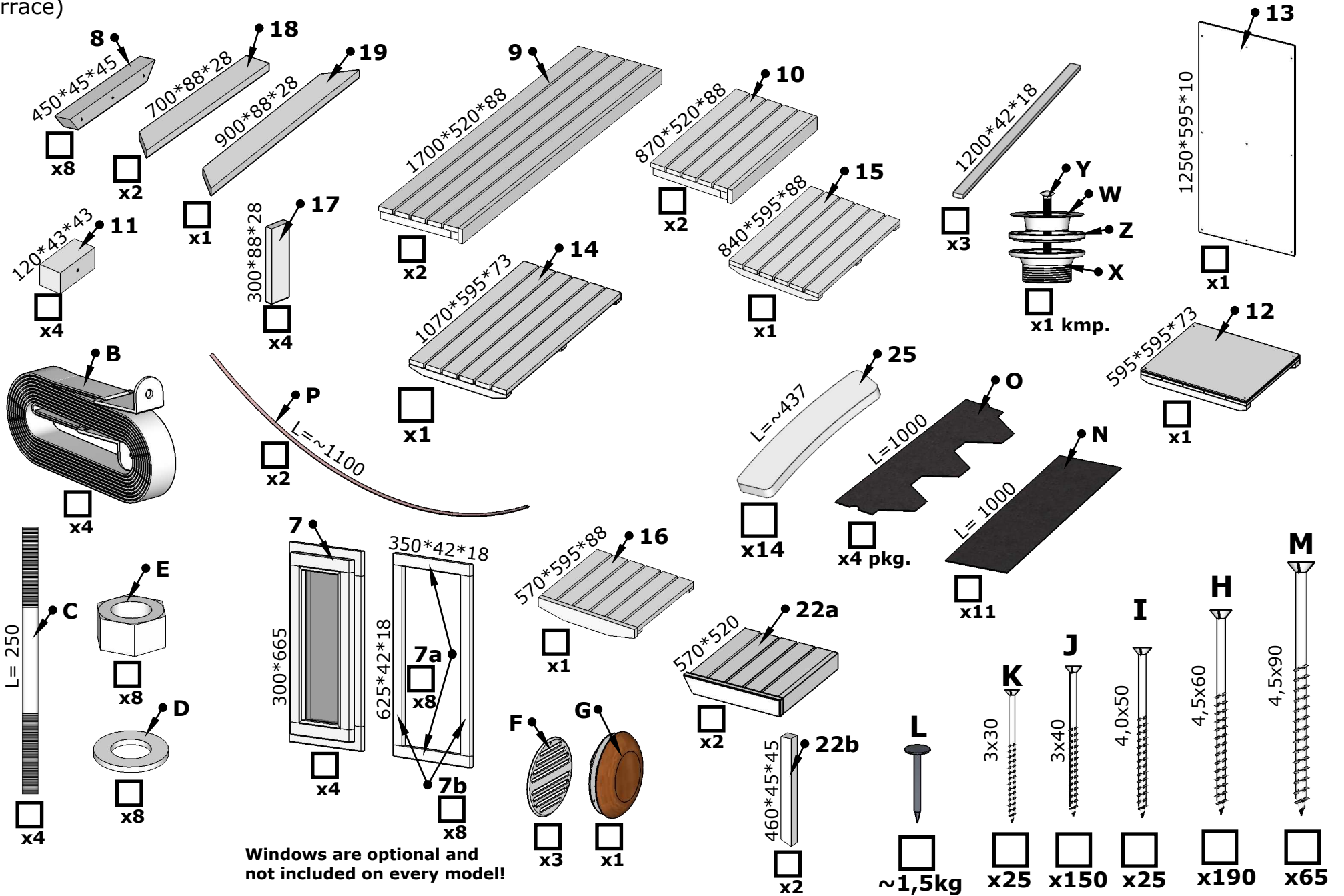
Wooden door are optional and not included on every model!



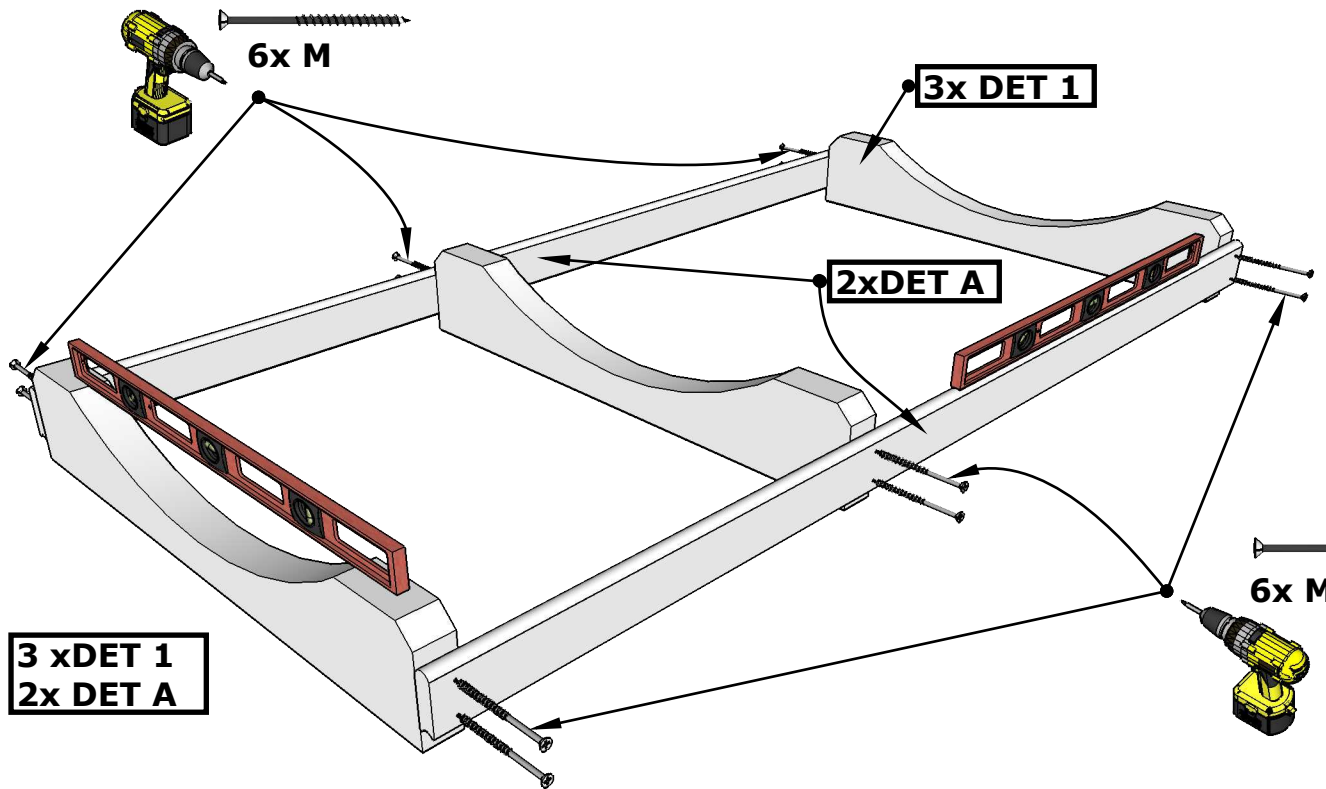
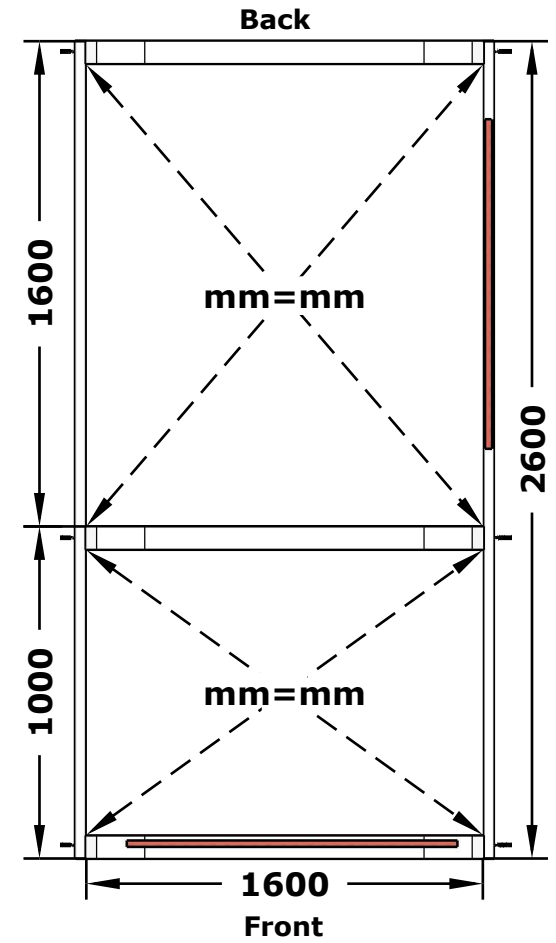
SAUNA 330, D200

(terrace)

Details list Nr. 2

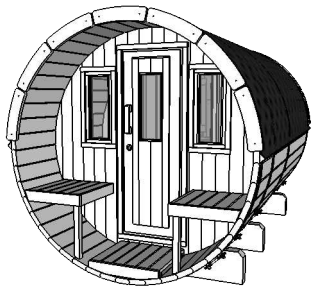


Sauna 330, D 200 (terrace)



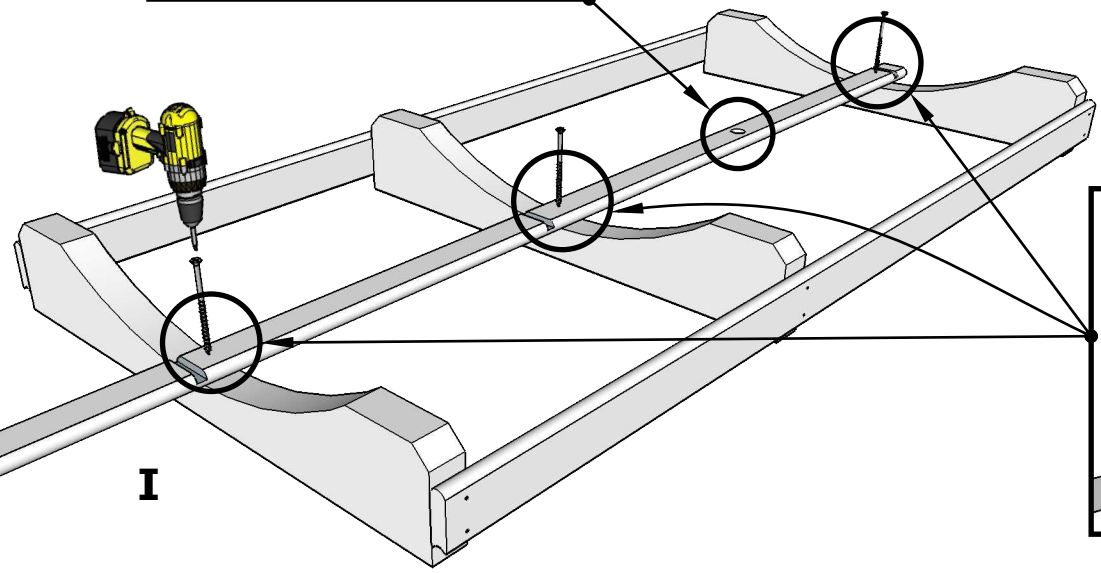
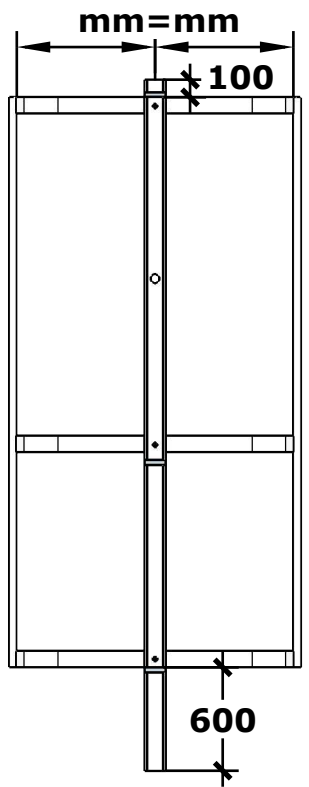
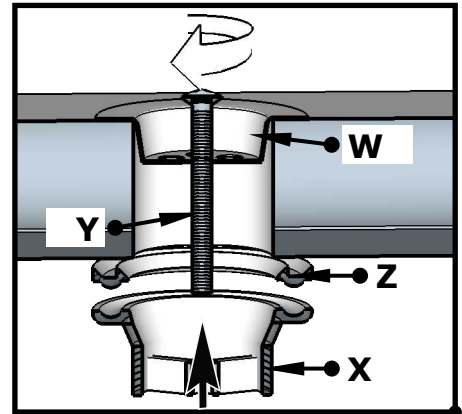
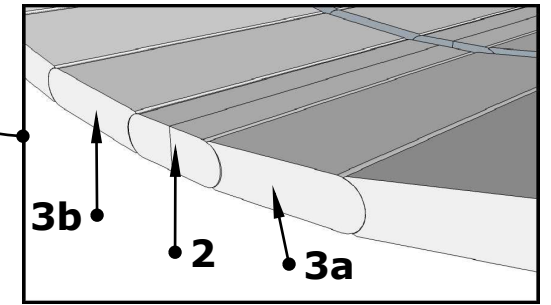
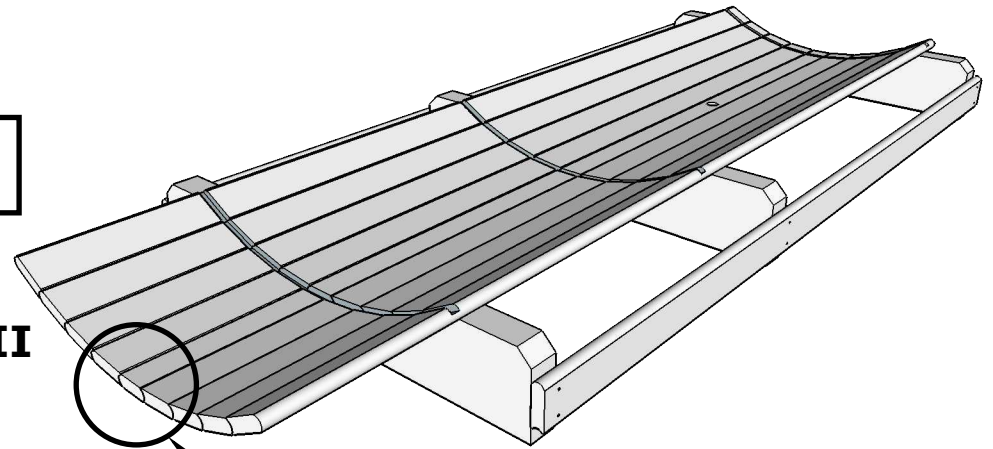
1.

Sauna 330, D 200 (terrace)



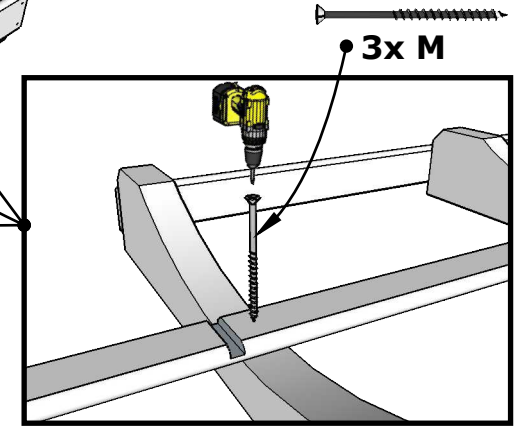
4 x DET 3a
4 x DET 3b

II



1x DET 2

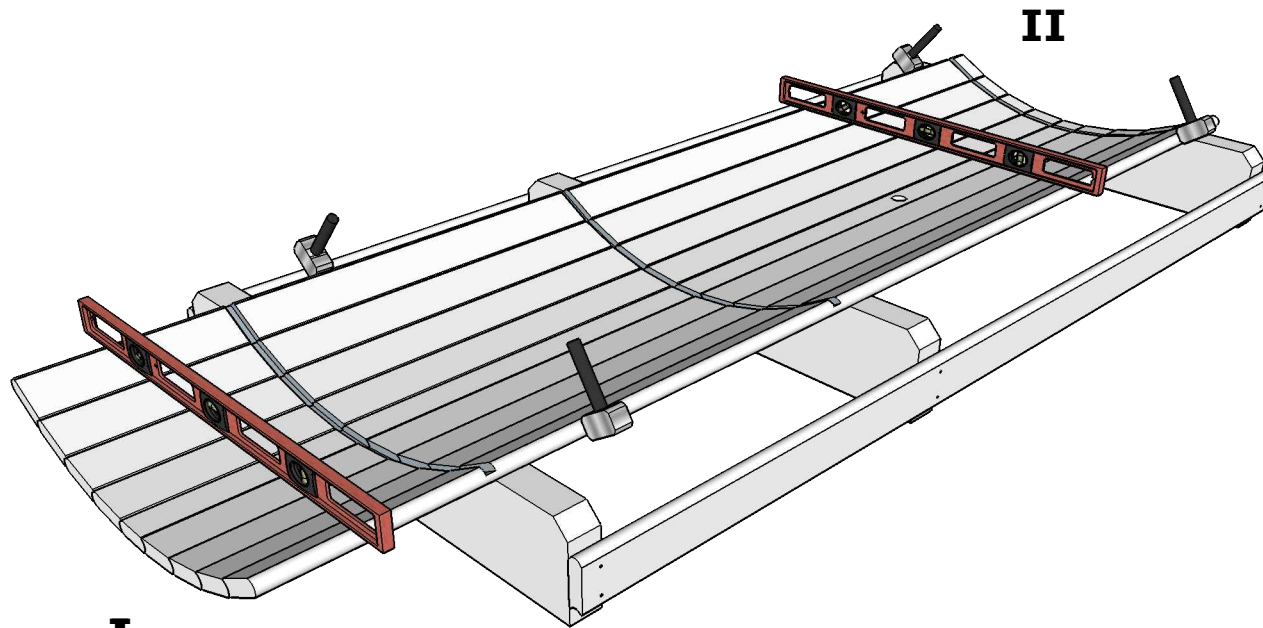
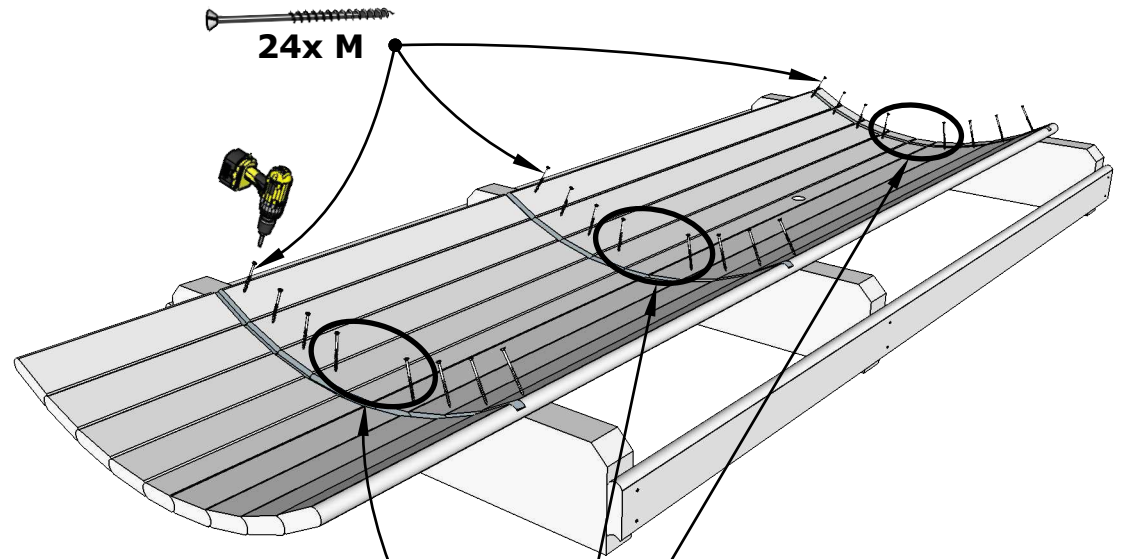
I



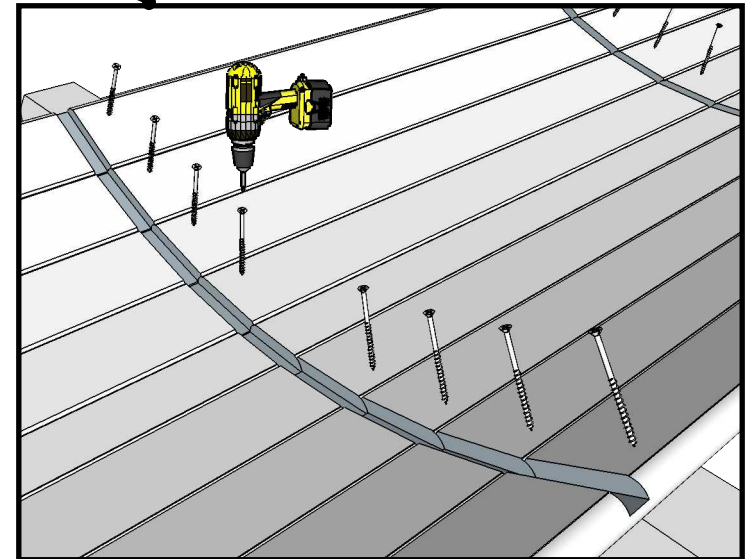
3x M

2.

Sauna 330, D 200 (terrace)



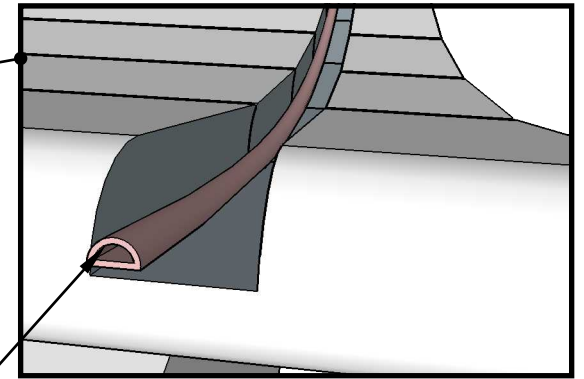
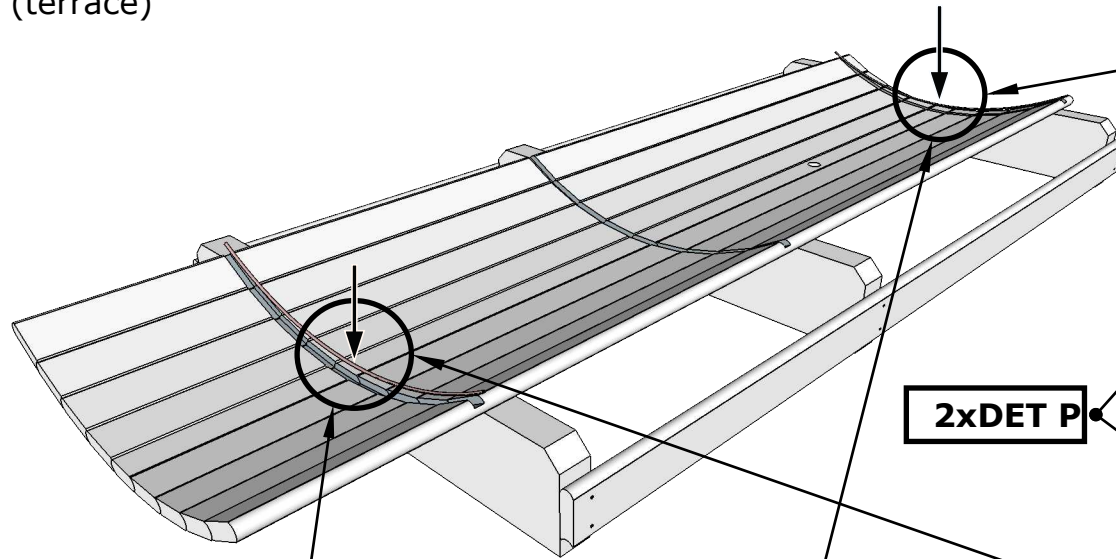
II



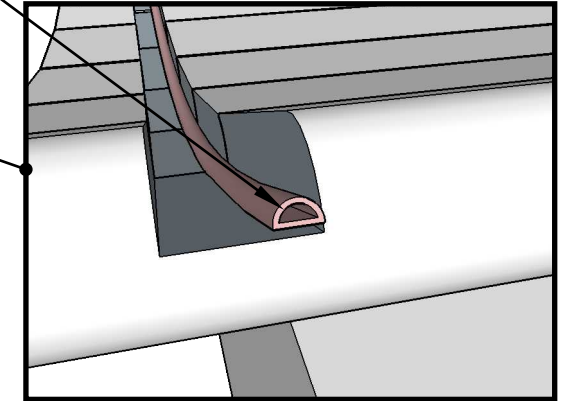
I

3.

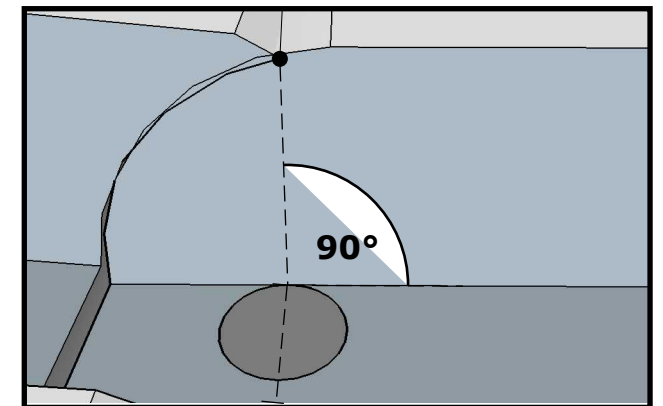
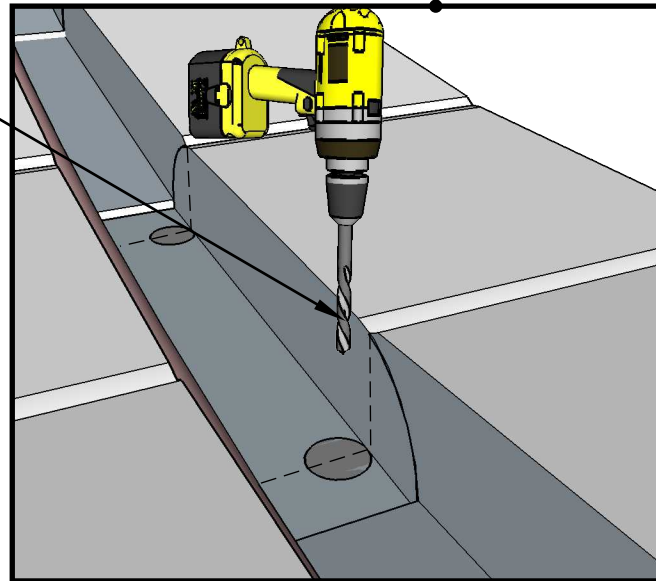
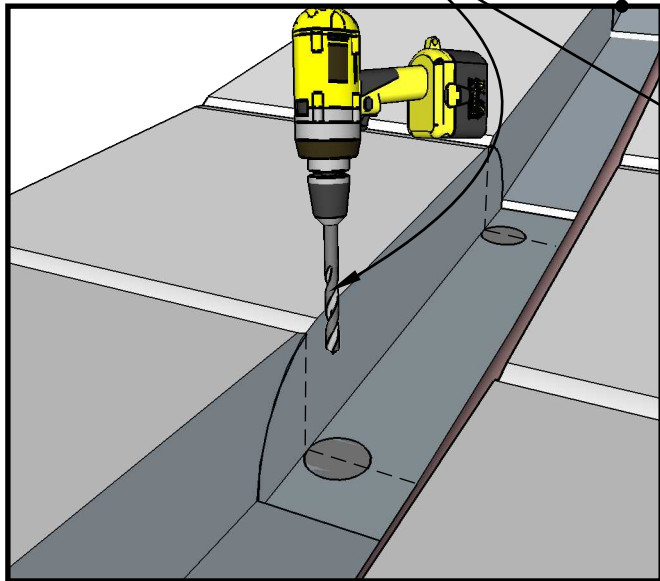
Sauna 330, D 200 (terrace)



2xDET P

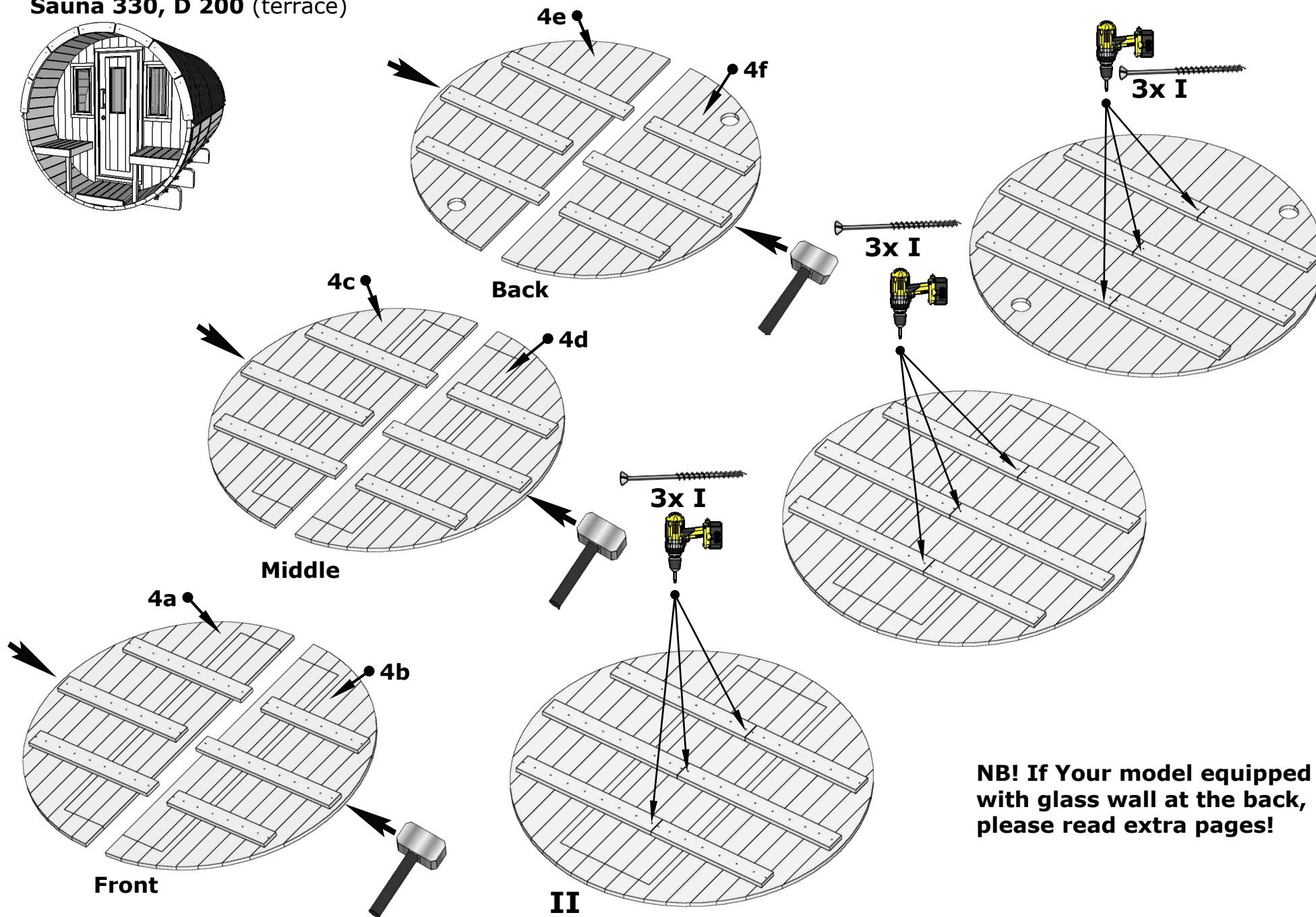


Drill 2 holes Ø10 mm into DET 2 outside



3A.

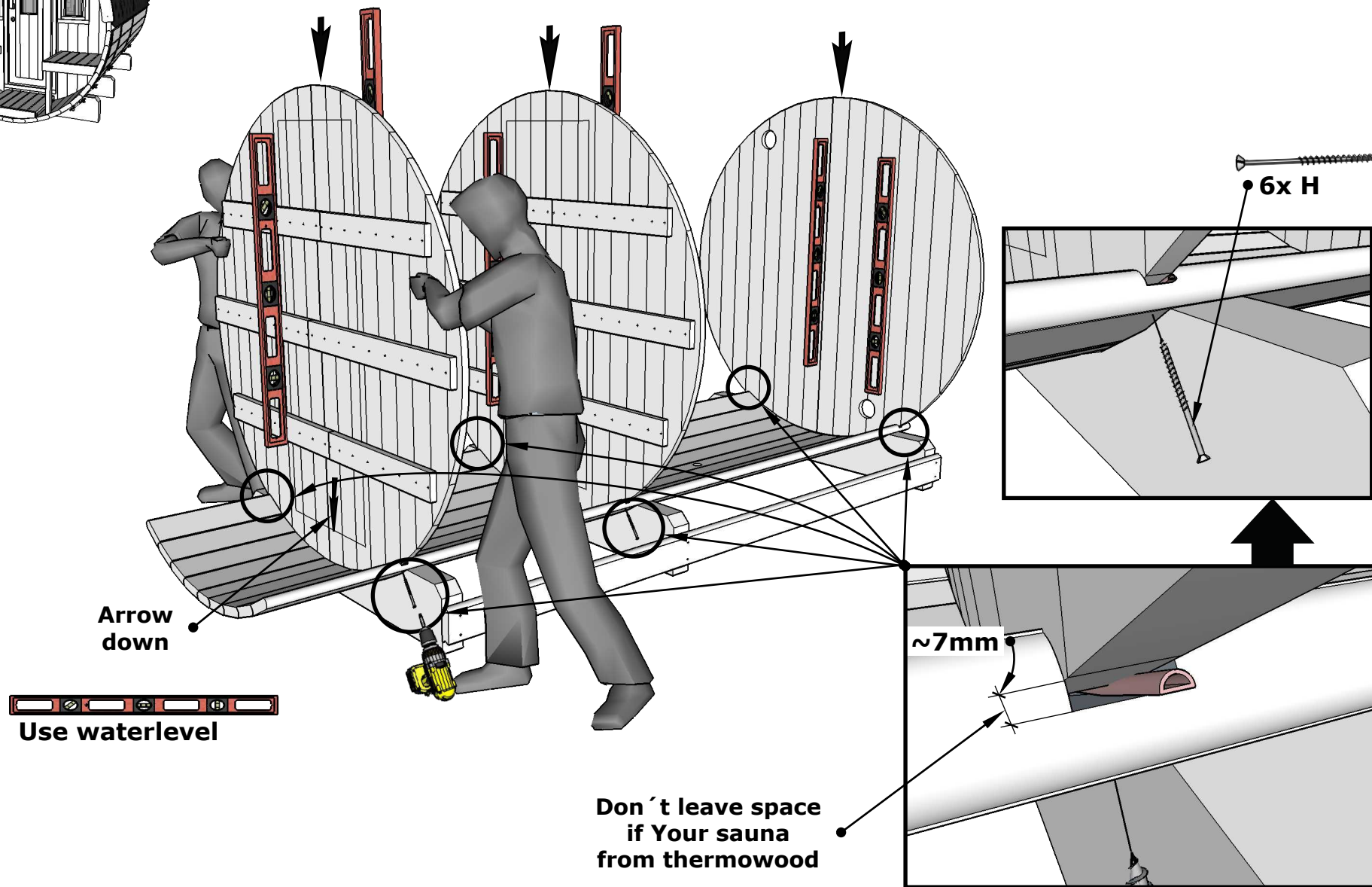
Sauna 330, D 200 (terrace)



NB! If Your model equipped with glass wall at the back, please read extra pages!

4. I

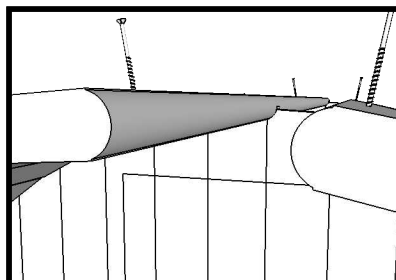
Sauna 330, D 200 (terrace)



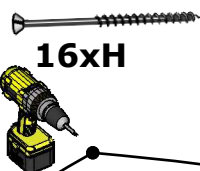
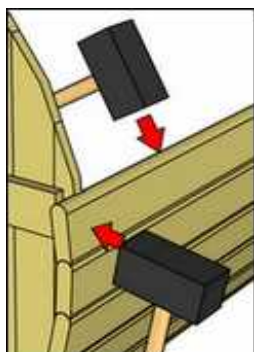
Sauna 330, D 200 (terrace)



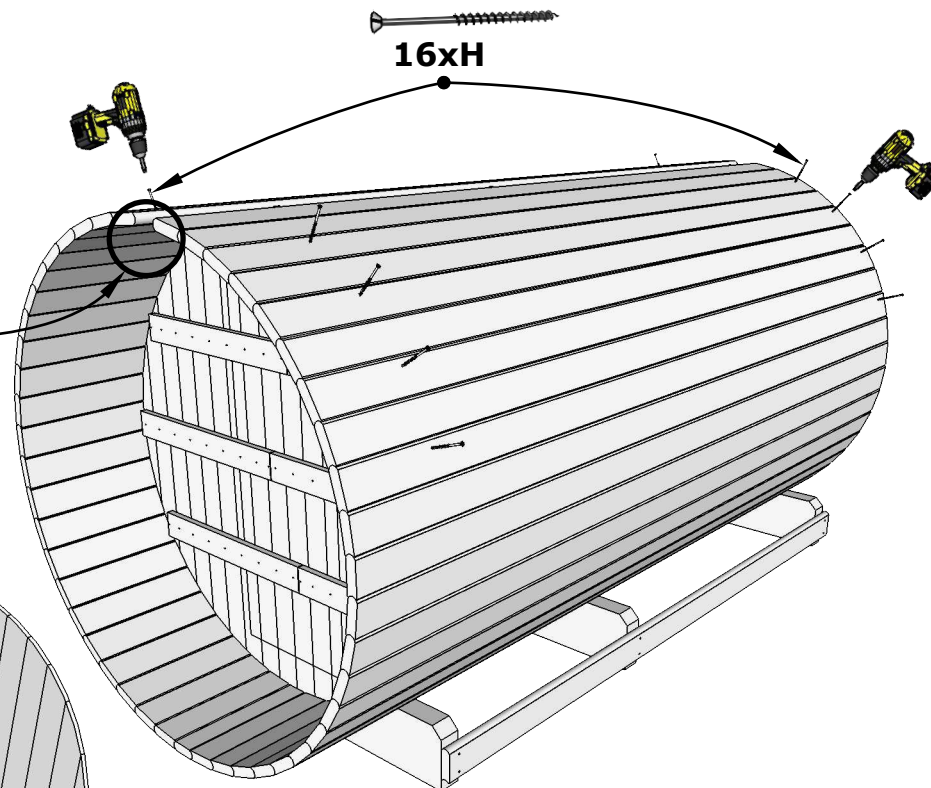
See page 6A



11x DET 3b
10x DET 3a



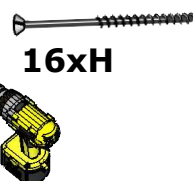
16xH



16xH

II

8x DET 3a
8x DET 3b

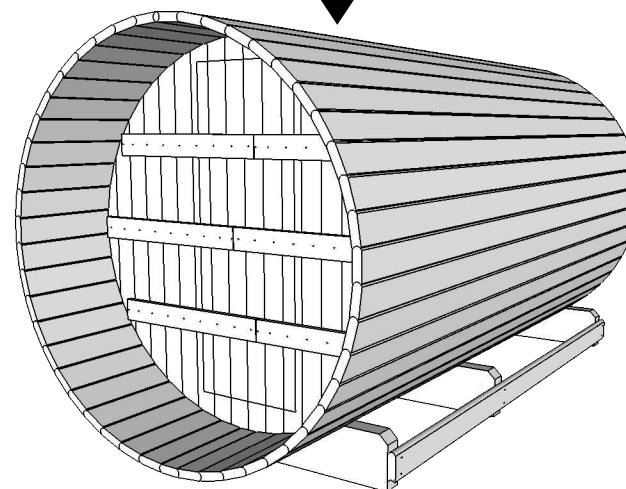
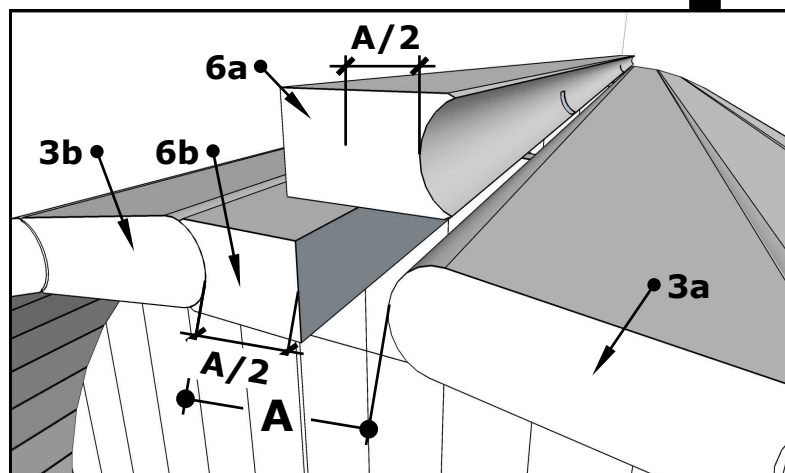
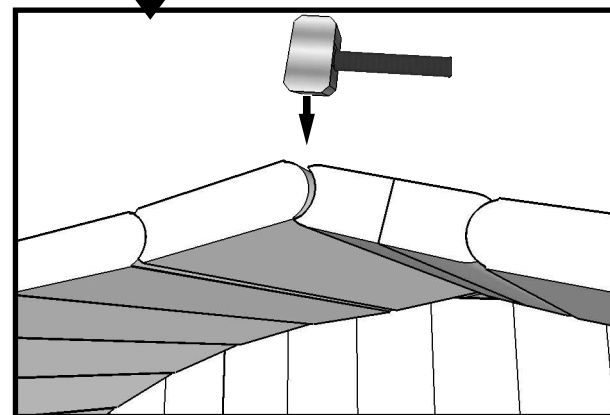
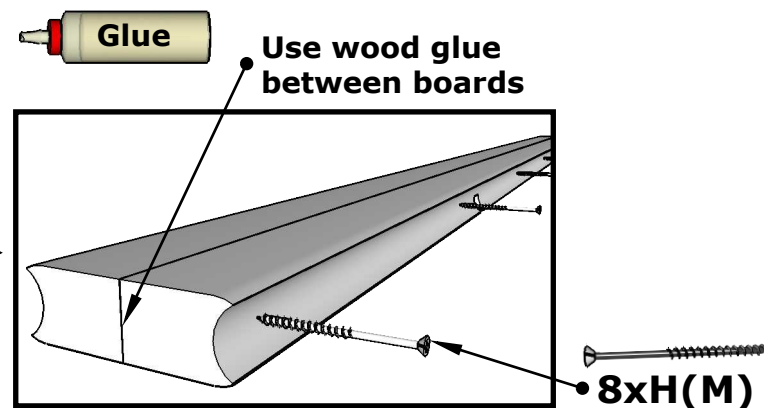
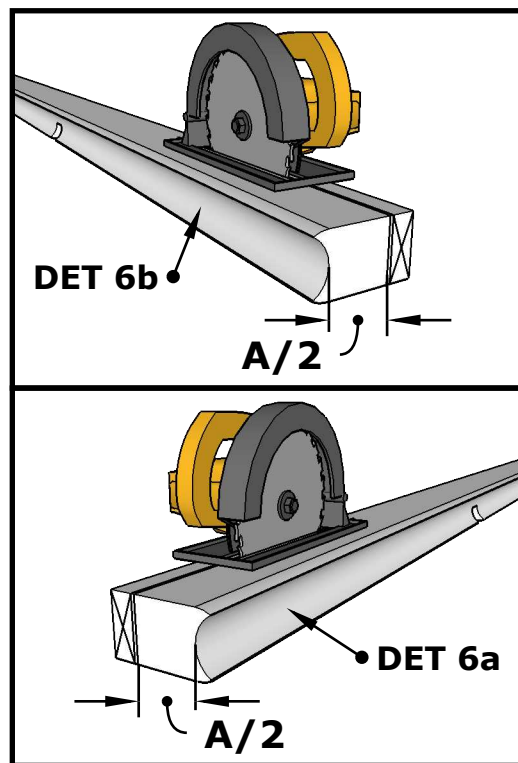


16xH

I

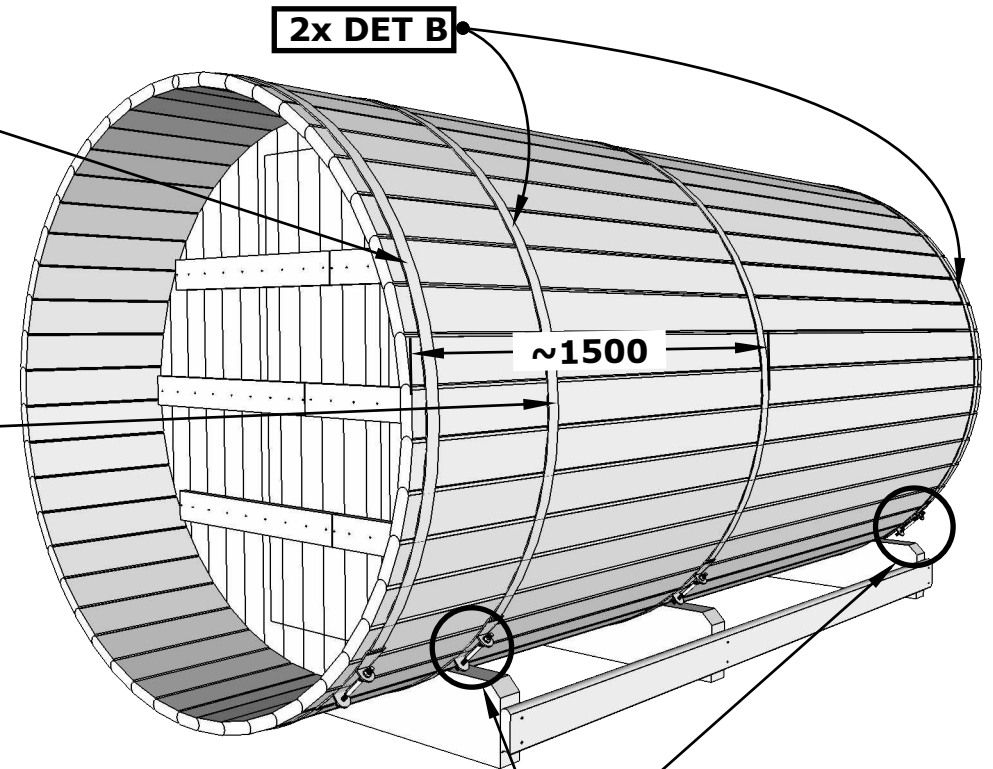
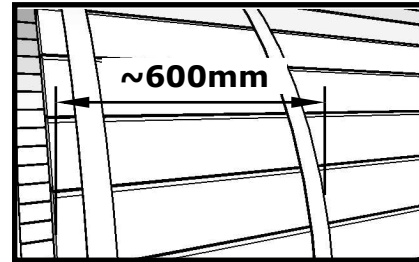
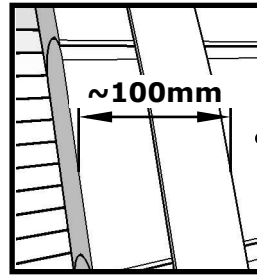
6.

Sauna 330, D 200 (terrace)



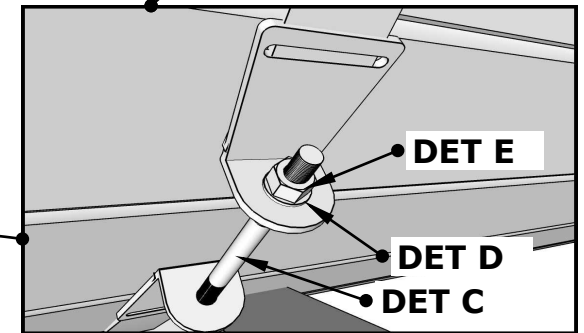
6A.

Sauna 330, D 200 (terrace)

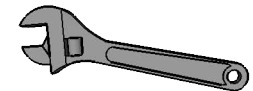


II

Important! Remove the screws and use them for further assembly.



During assembly and retightening the threaded rods, use oil (Würth HPS 1400 or similar) to avoid "cold welding" and it is also easier tightening.



Remove all screws

2x DET B

I

Remove all screws

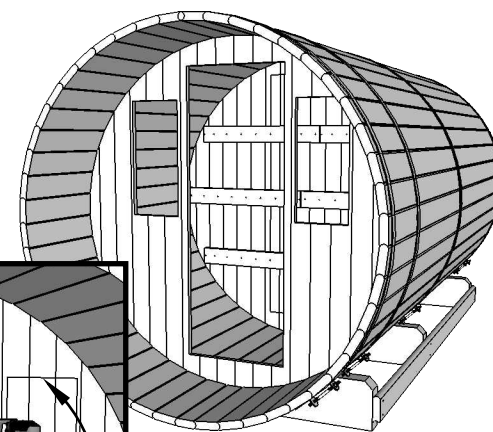
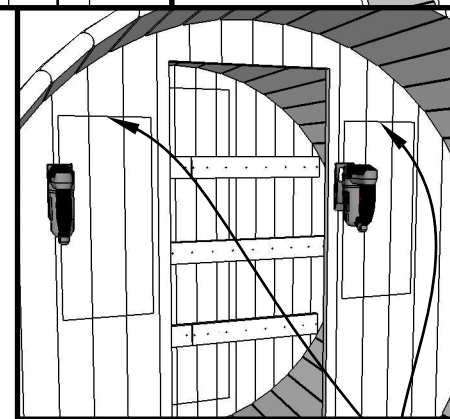
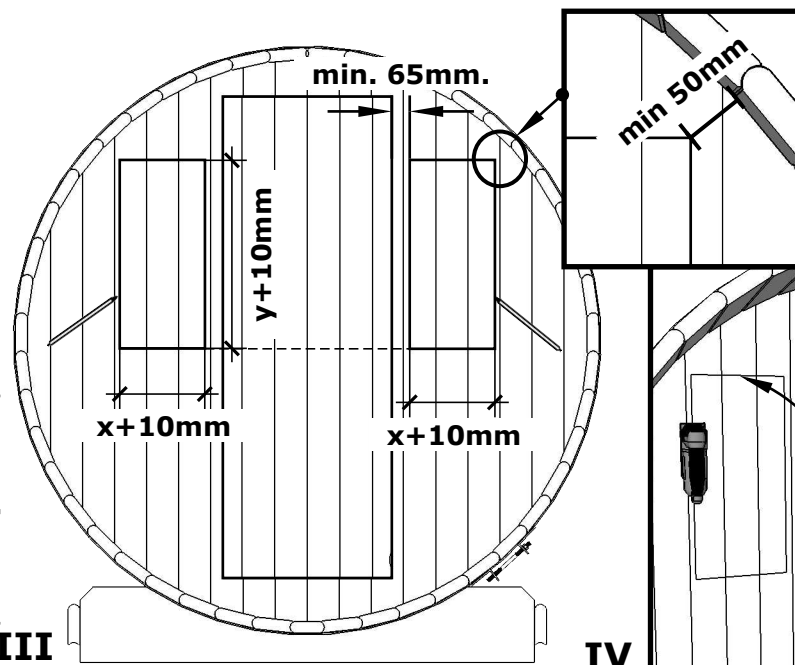
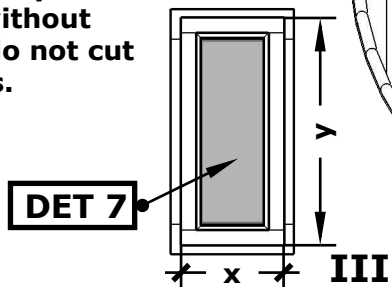


7.

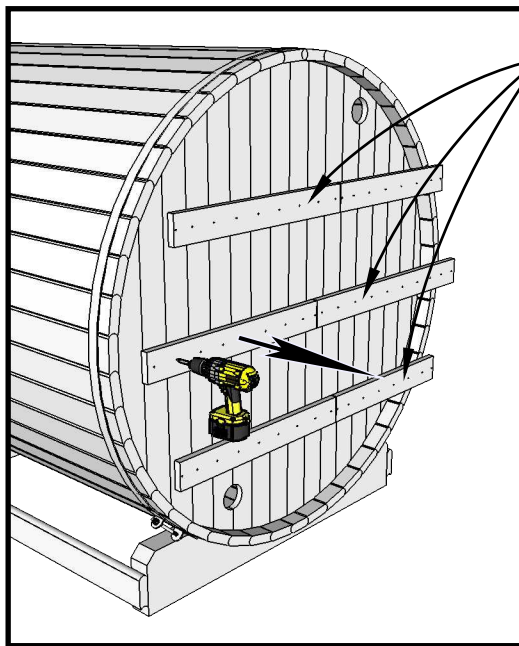
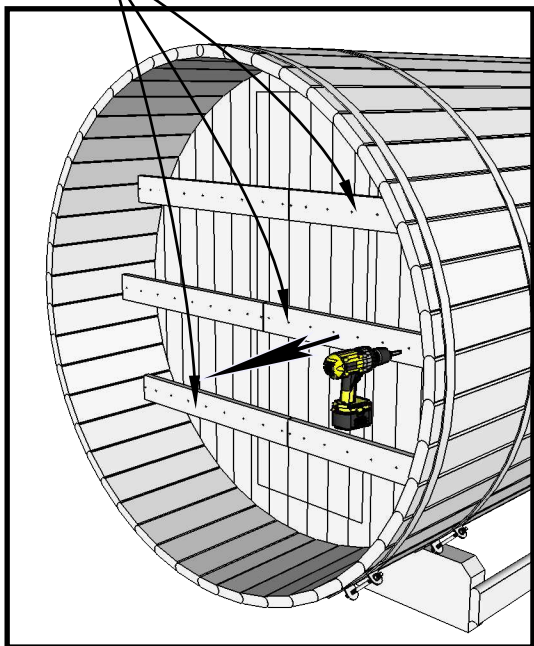
Sauna 330, D 200 (terrace)



Windows are optional and not included on every model! If Your model is without windows, please do not cut windows openings.

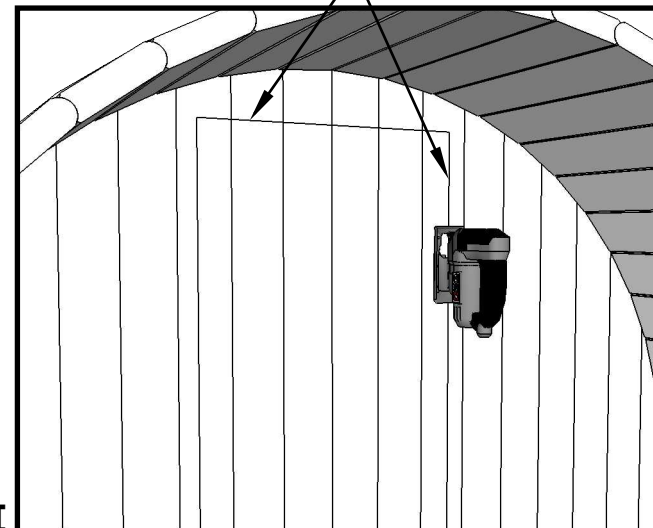


Remove all brackets



Remove all brackets

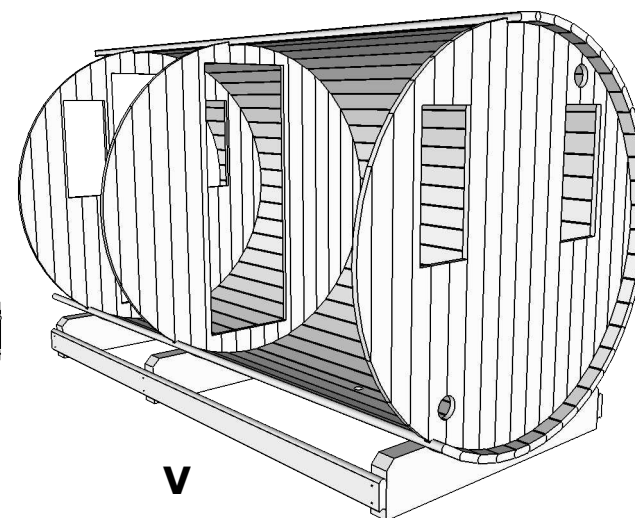
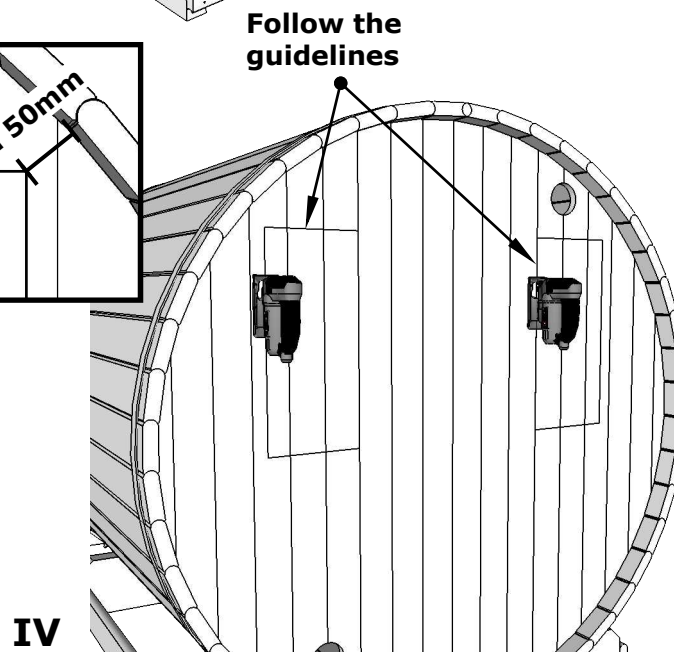
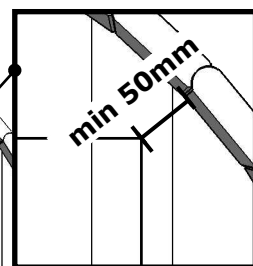
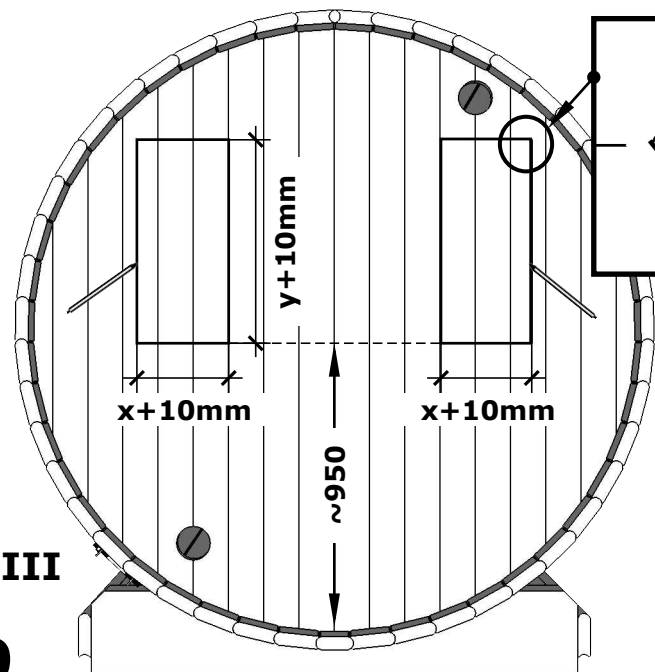
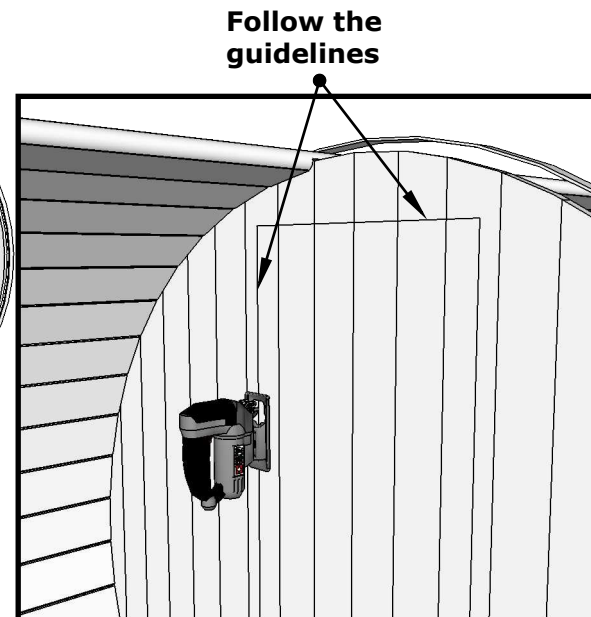
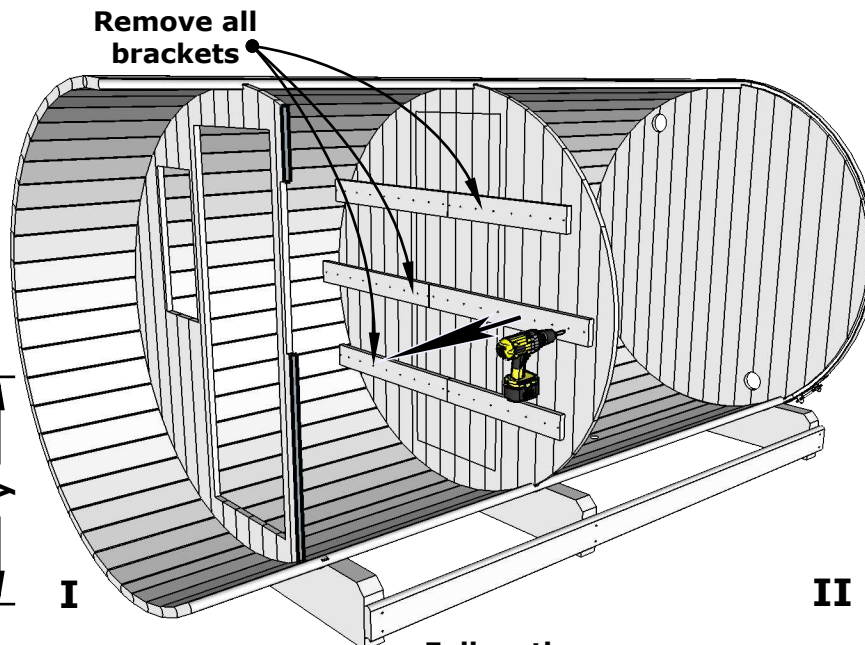
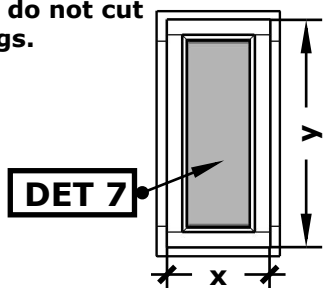
Follow the guidelines



Sauna 330, D 200 (terrace)



Windows are optional and not included on every model! If Your model is without windows, please do not cut windows openings.



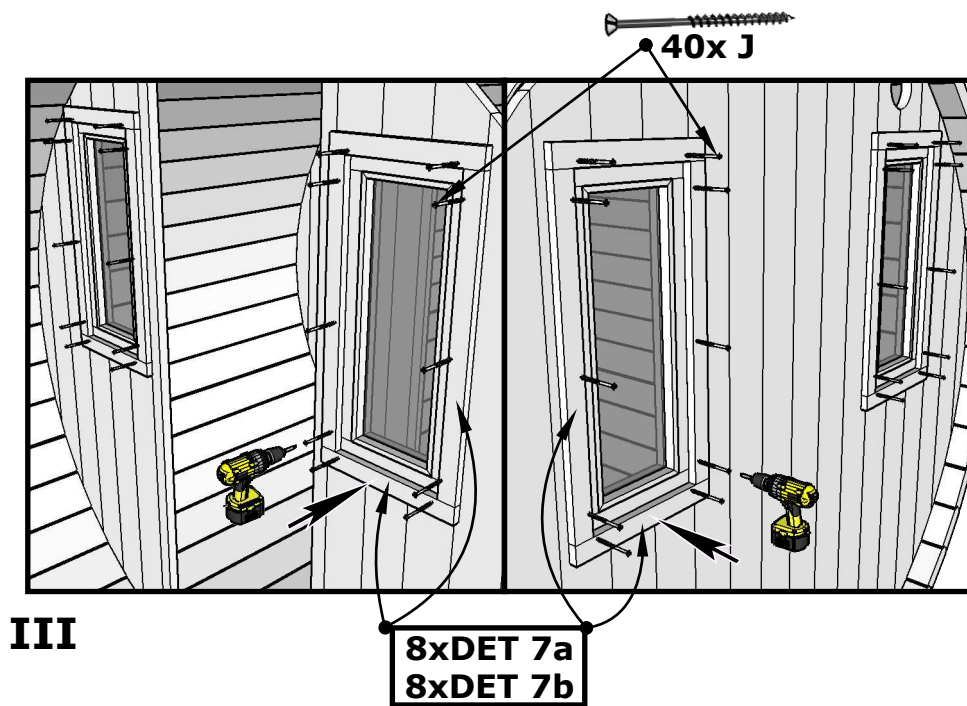
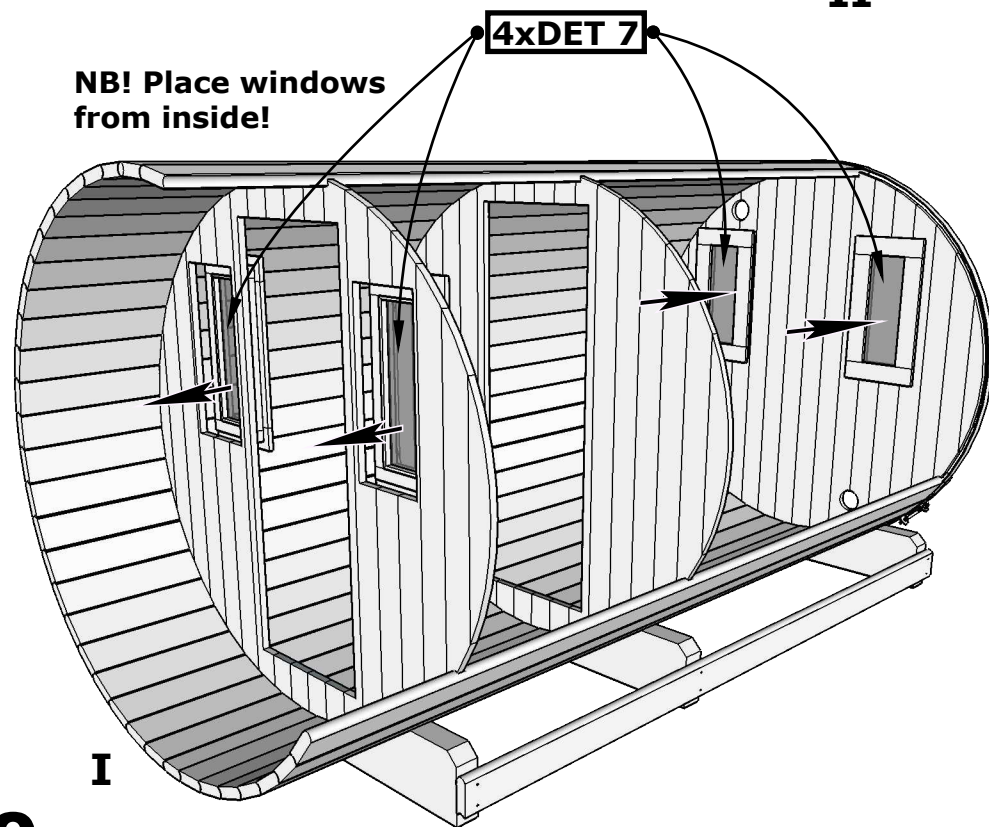
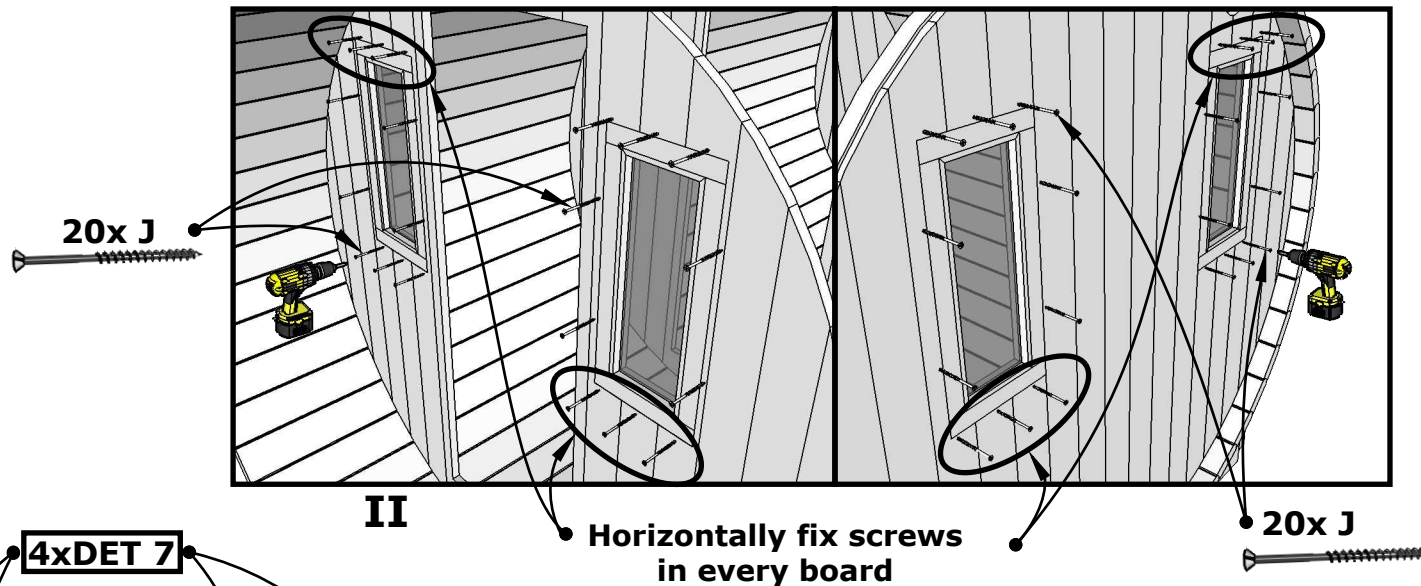
Sauna 330, D 200 (terrace)



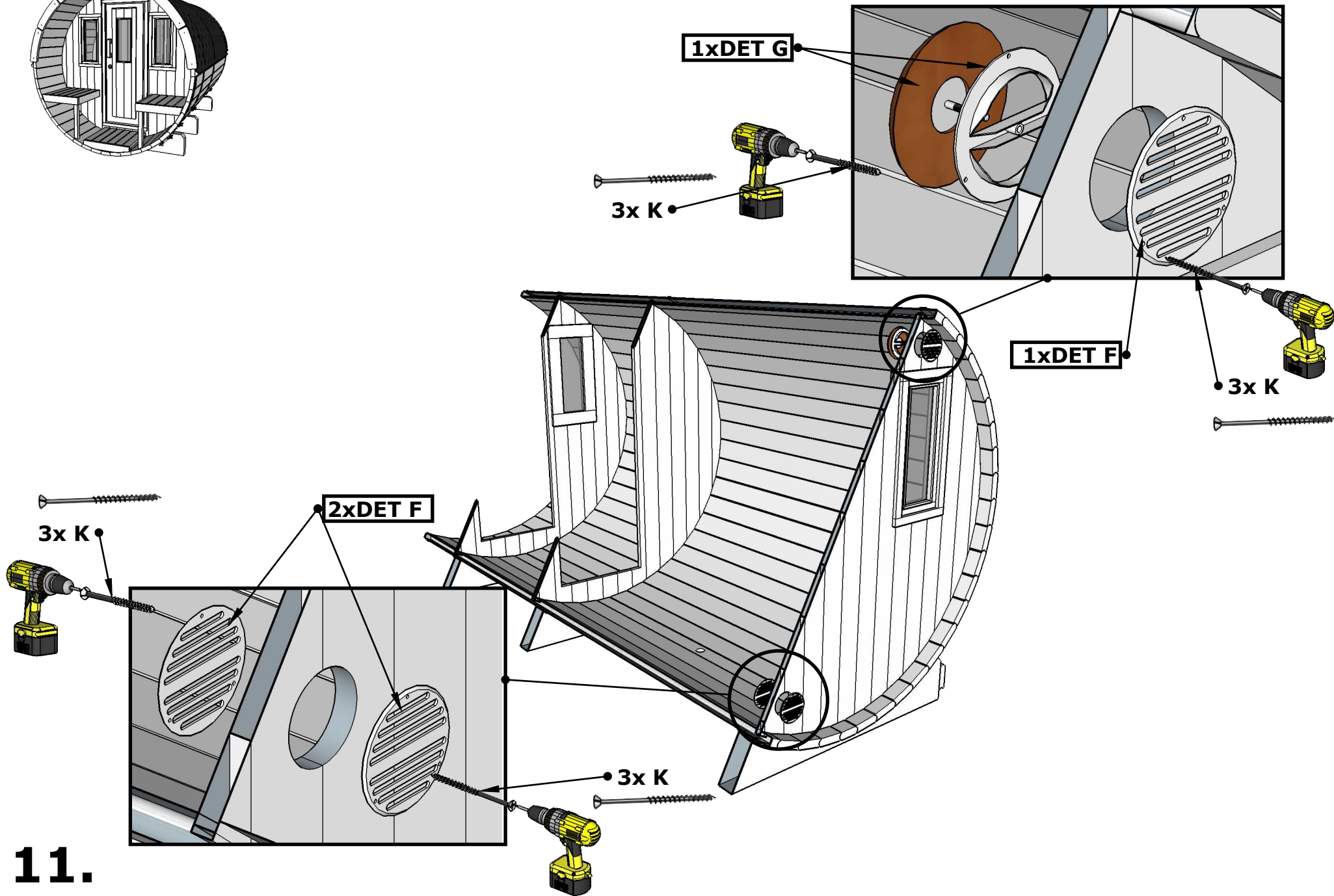
Windows are optional and not included on every model!



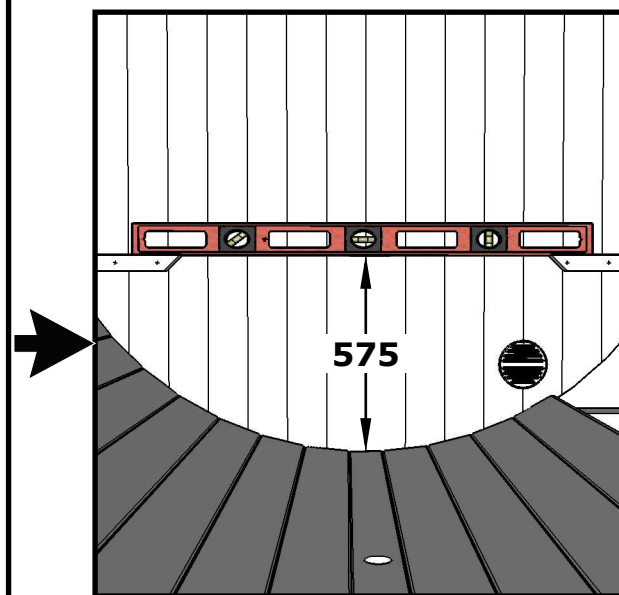
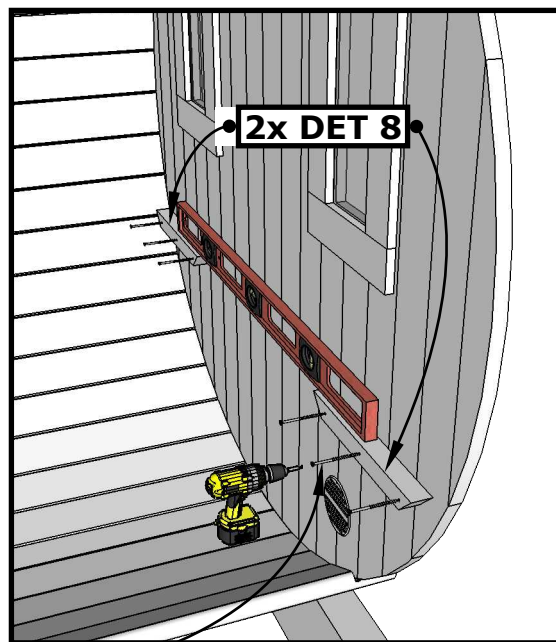
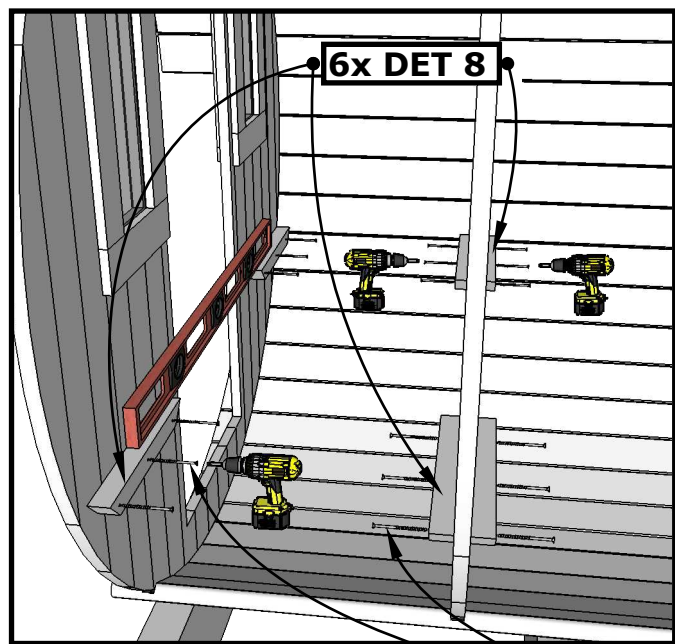
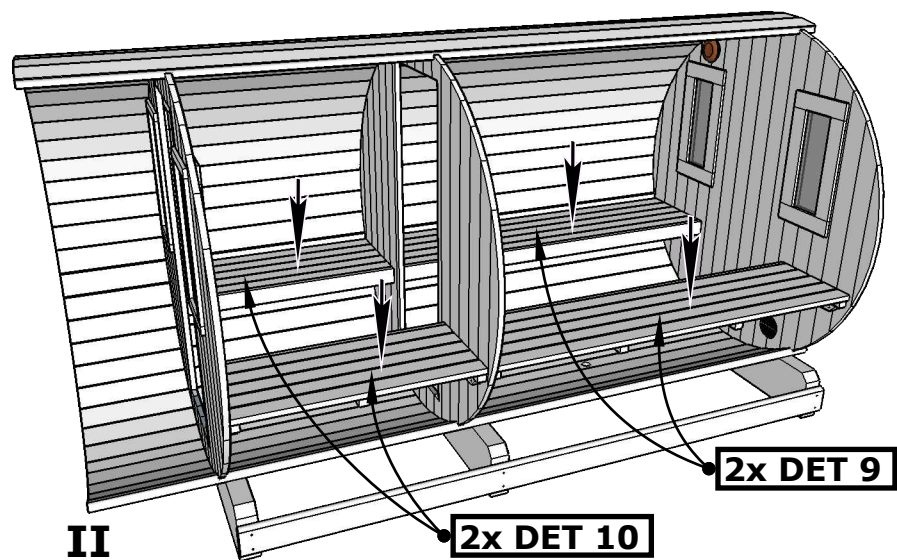
Use waterlevel



Sauna 330, D 200 (terrace)



Sauna 330, D 200 (terrace)

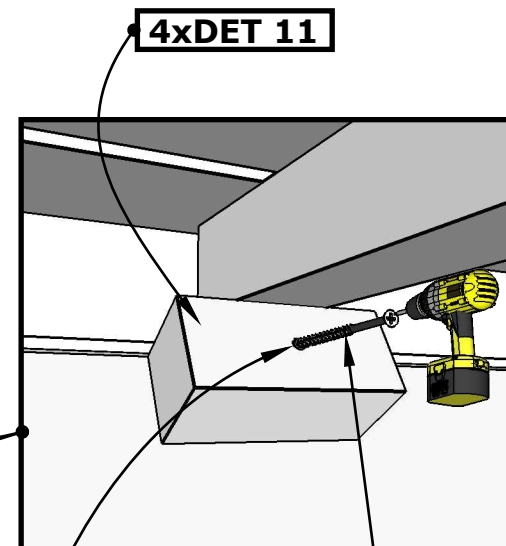


I



12.

Sauna 330, D 200 (terrace)



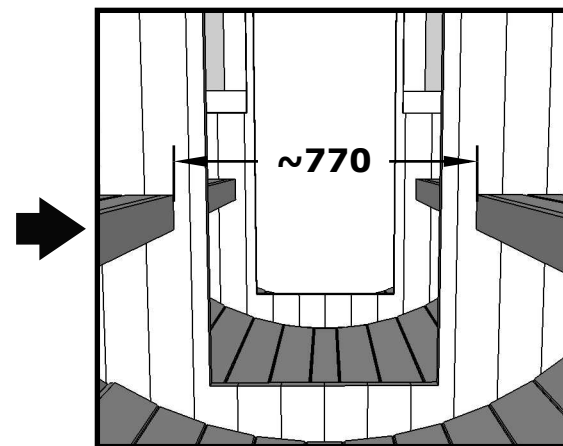
4xDET 11

4x H

• Drill holes Ø4 mm before screw.

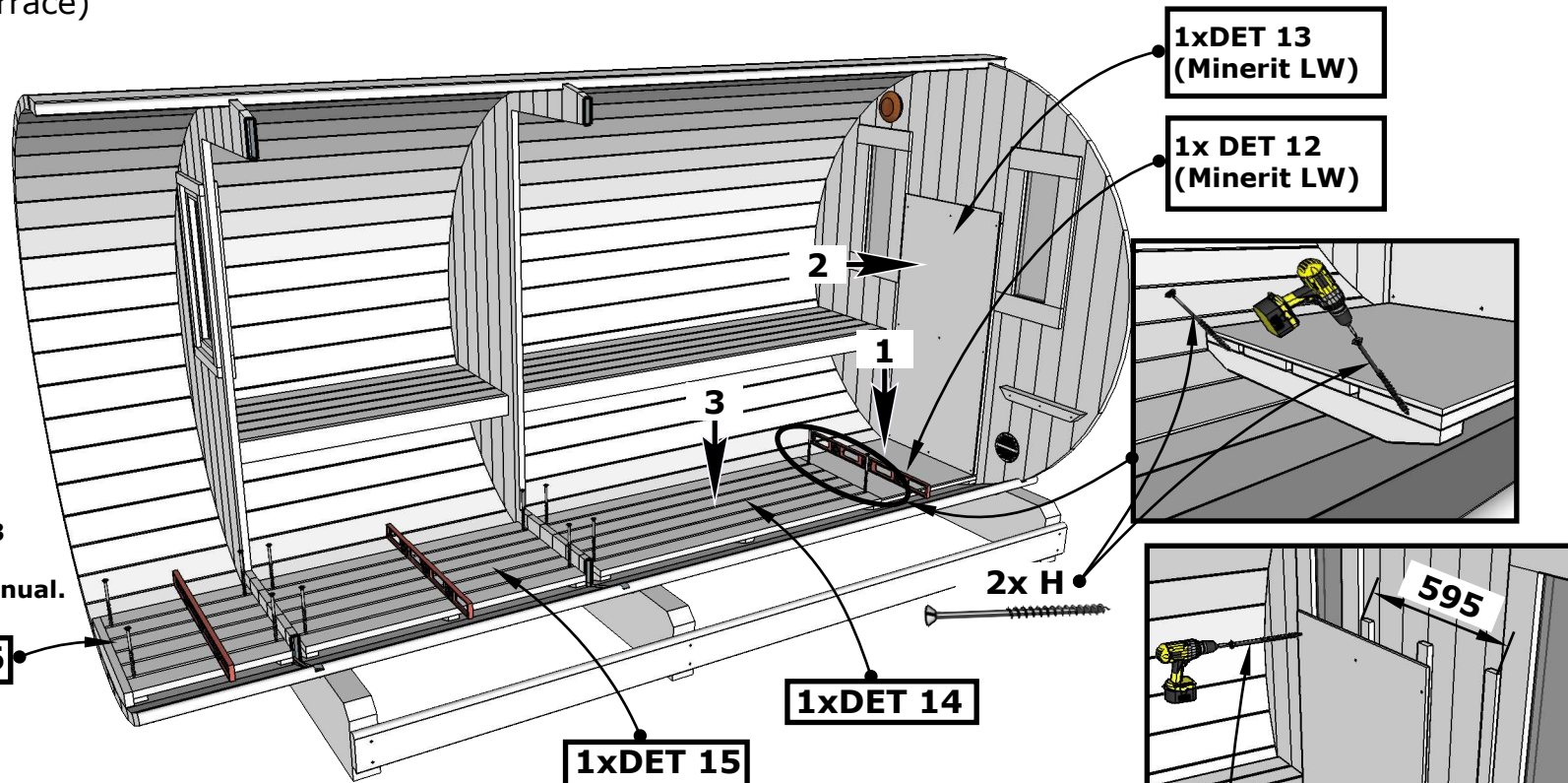
8x H

8x H

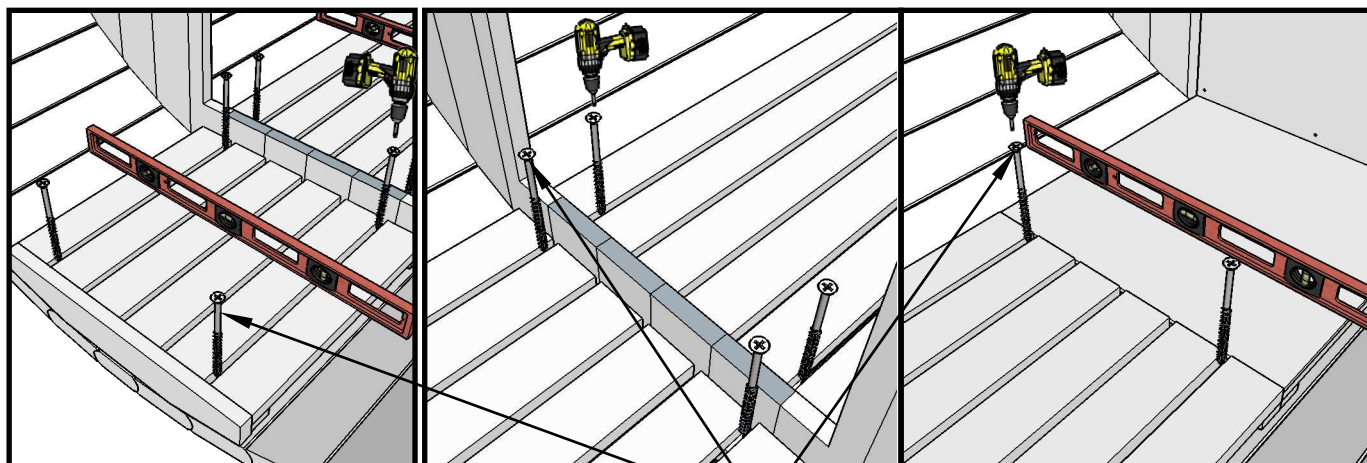
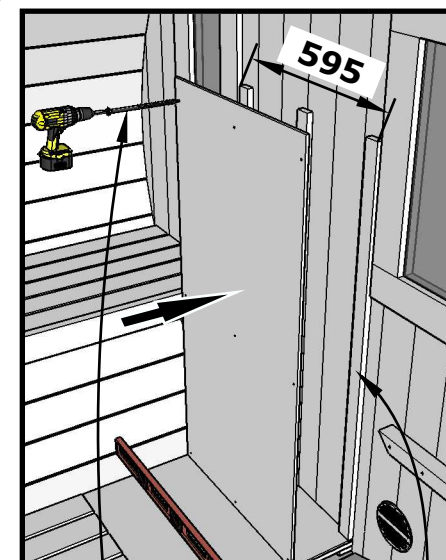
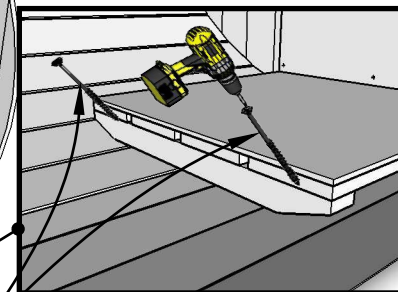


~770

Sauna 330, D 200 (terrace)



If Your sauna equipped with half-moon glass wall at the back, then check DET 13 and DET L installation on half-moon wall installation manual.

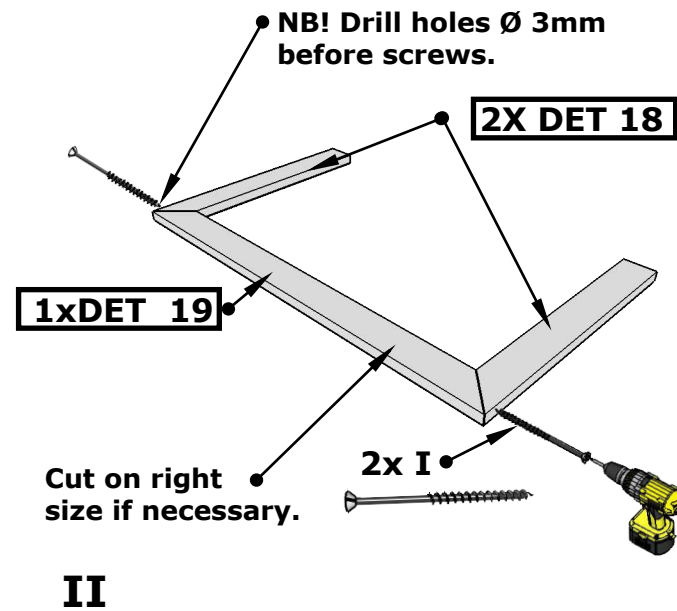
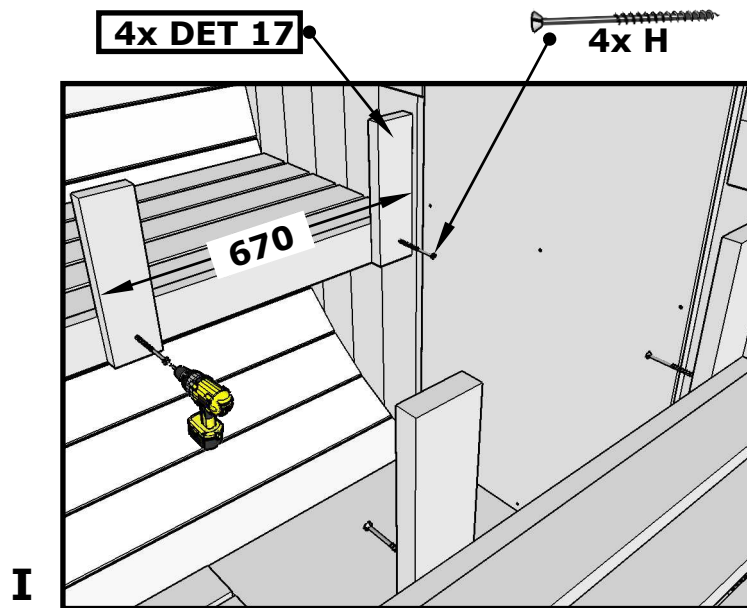


9x I(K) **3x DET L**

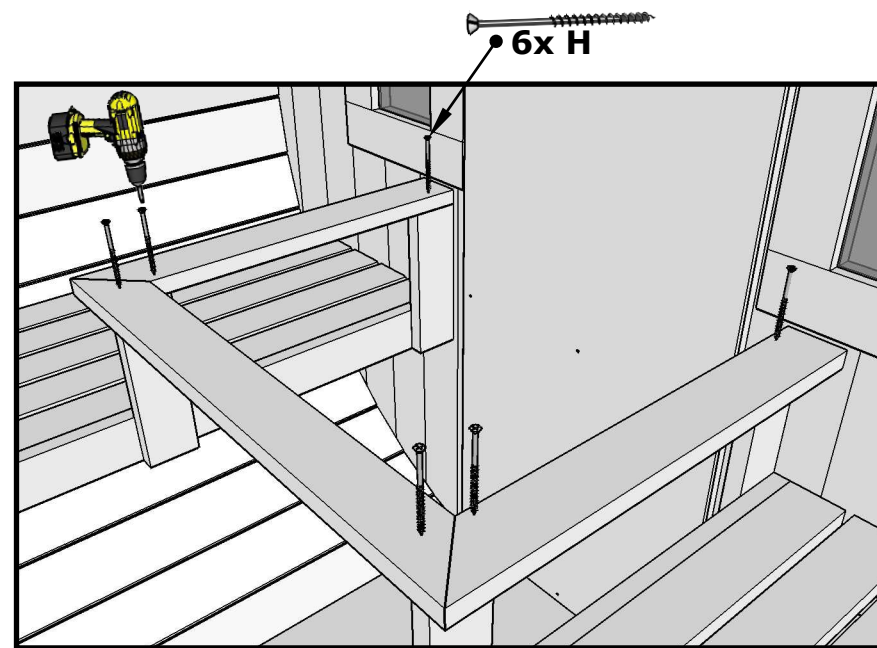
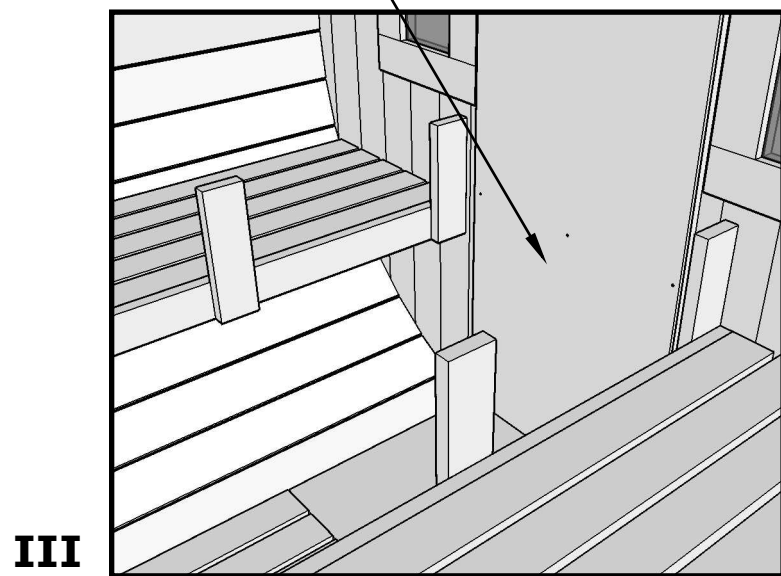
NB! If Your sauna equipped with electrical heater, fix DET 13 directly to the wall. Then use screws K.

12x H

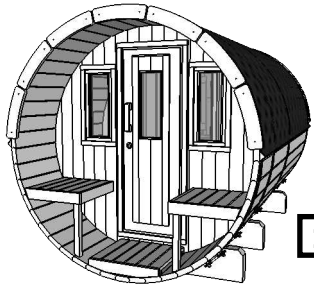
Sauna 330, D 200 (terrace)



NB: Place sauna heater first.



Sauna 330, D 200 (terrace)



1x DET 21

If Your sauna equipped with front glass door, follow glass door installation.



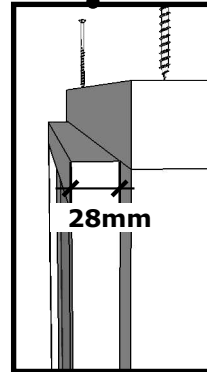
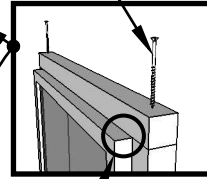
Use waterlevel!

NB! Place doors from inside!

2x DET 21c
2x DET 21d



4x M

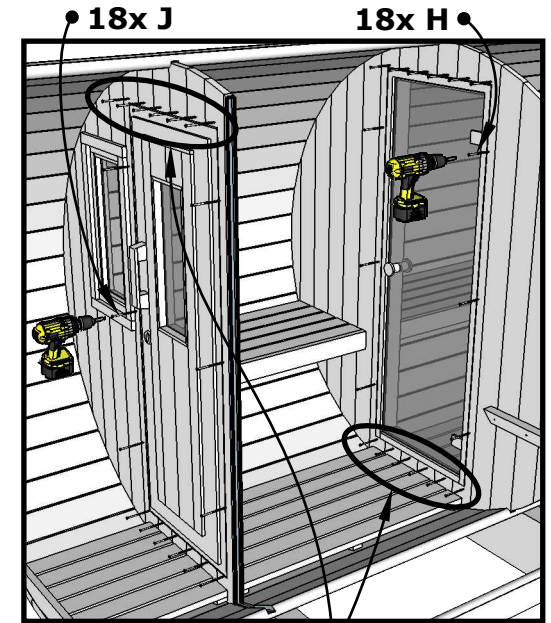


1x DET 20

1x DET 21



I



II

Horizontally fix screws in every board.

2x DET 20a
2x DET 20b

14x J



III

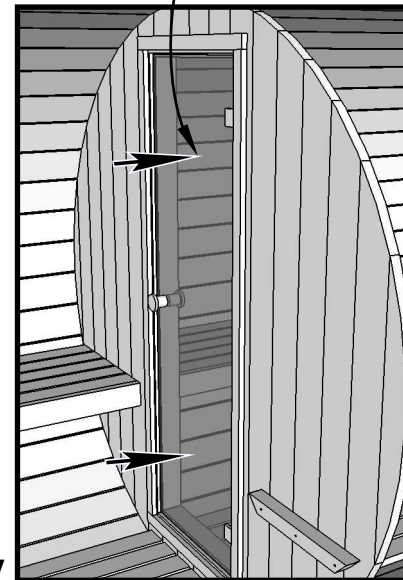
2x DET 21a
2x DET 21b

14x J



IV

Push door against the wall and fix it from inside.



V

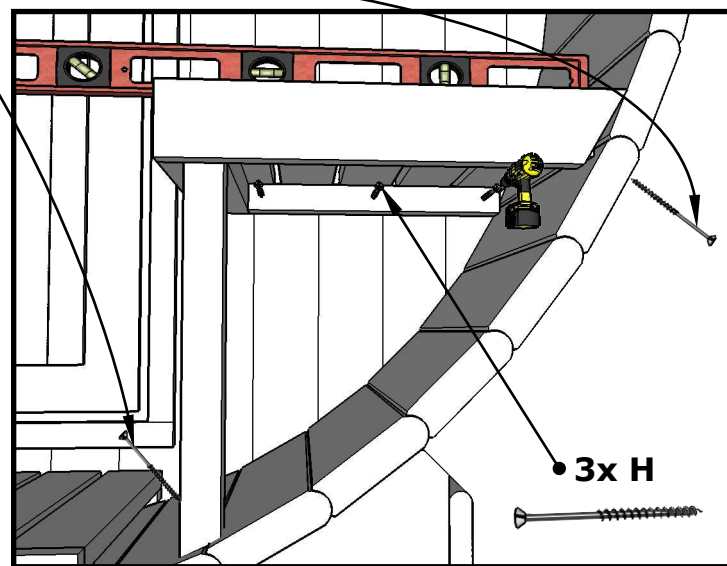
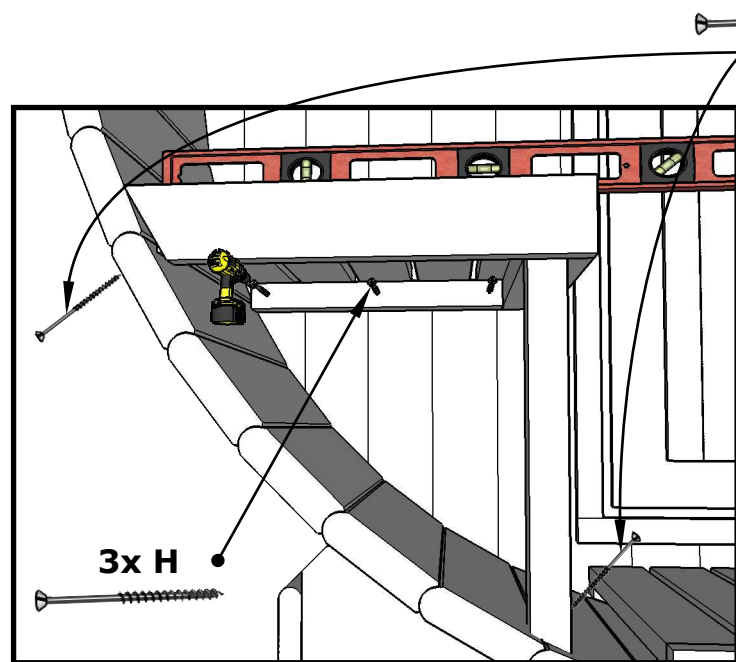
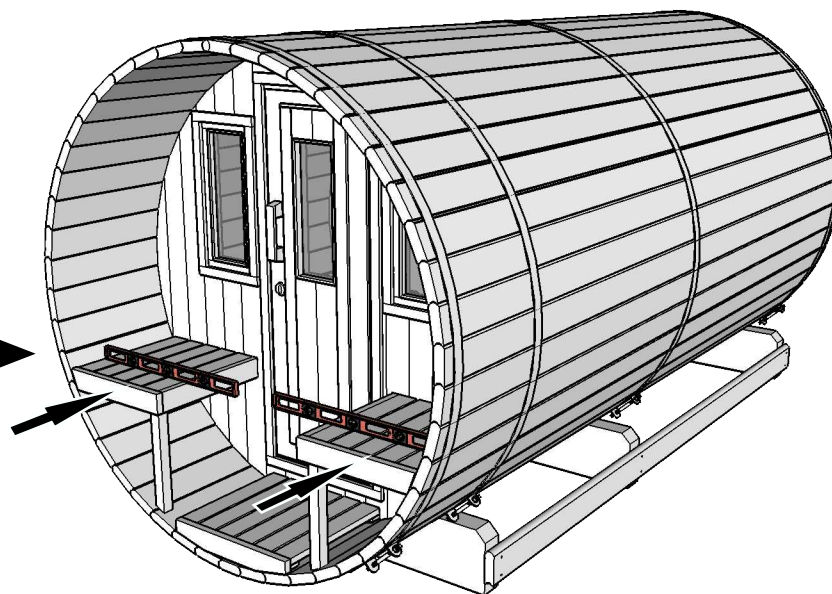
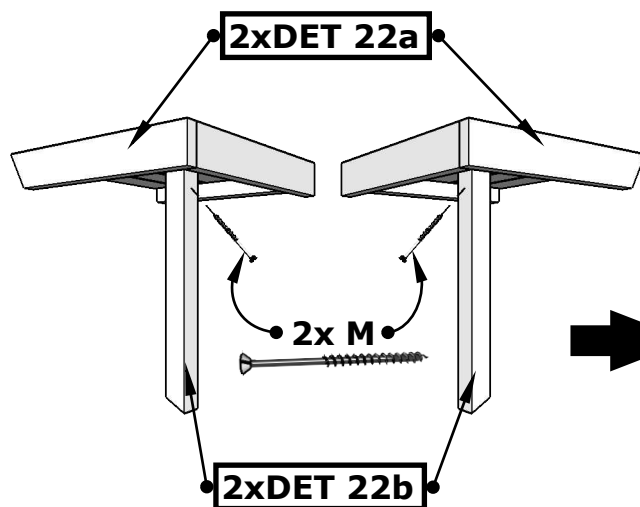
8x H



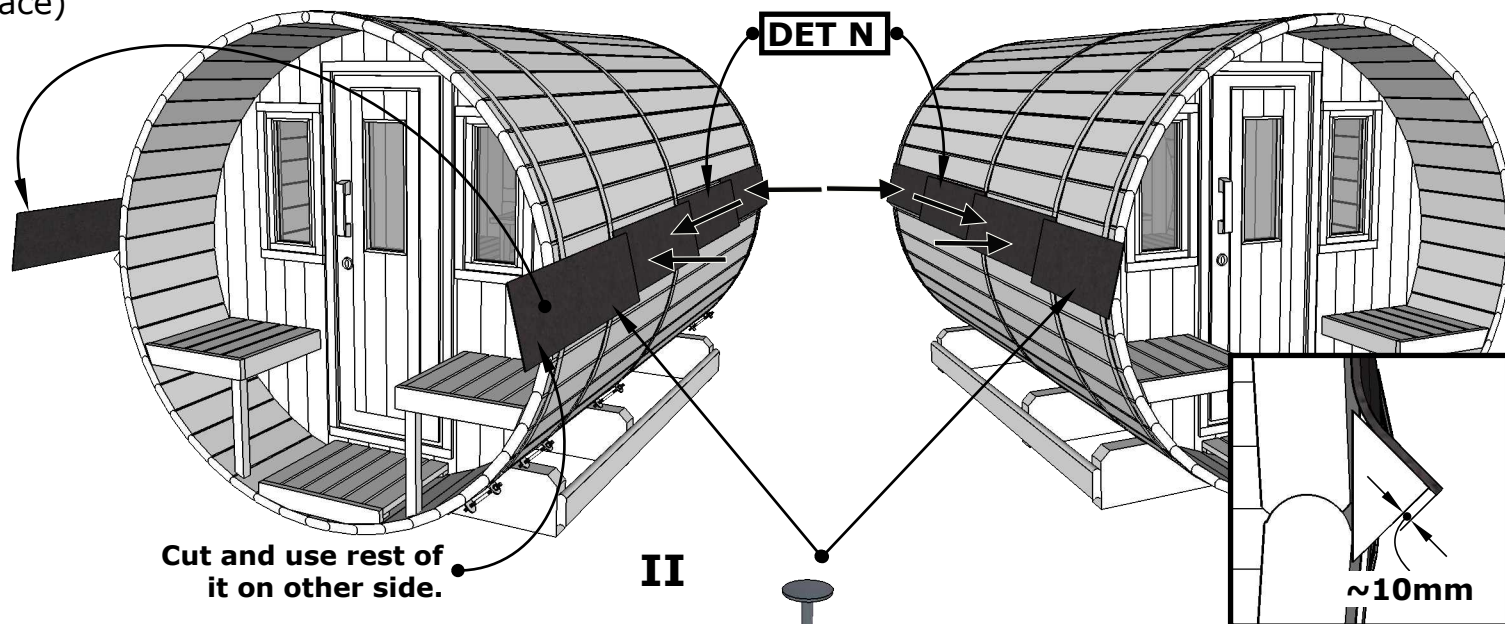
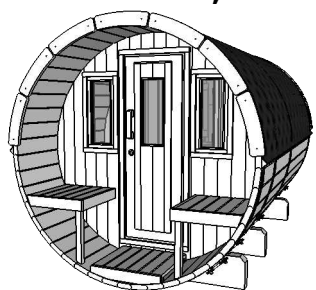
VI

16.

Sauna 330, D 200 (terrace)



Sauna 330, D 200 (terrace)

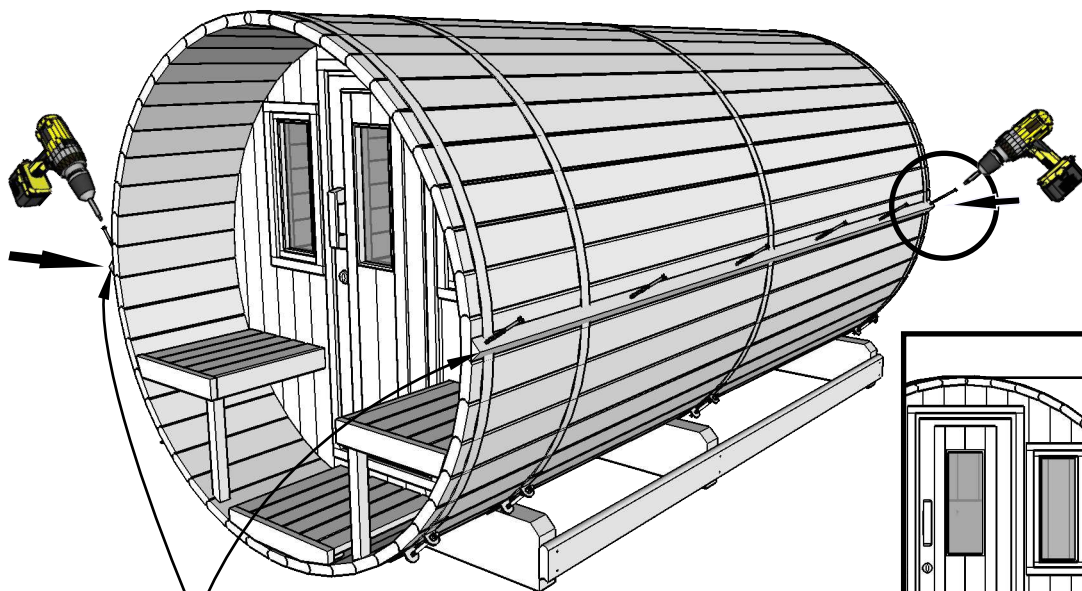


NB! See also shingles installation manual inside shingles package.

Cut and use rest of it on other side.

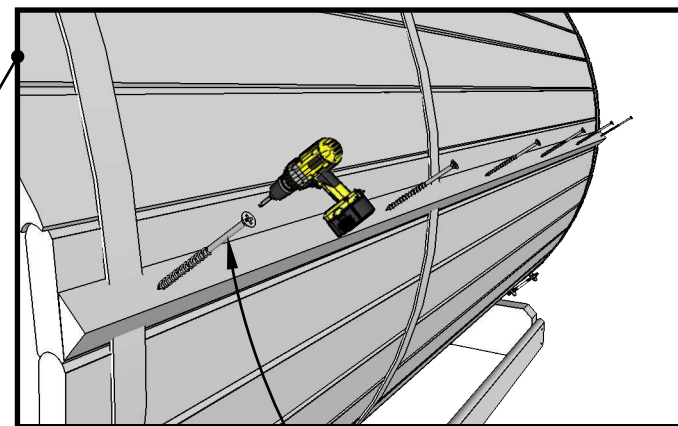
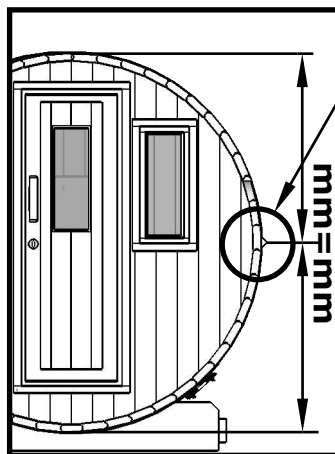
II

~10mm



2xDET 24

I

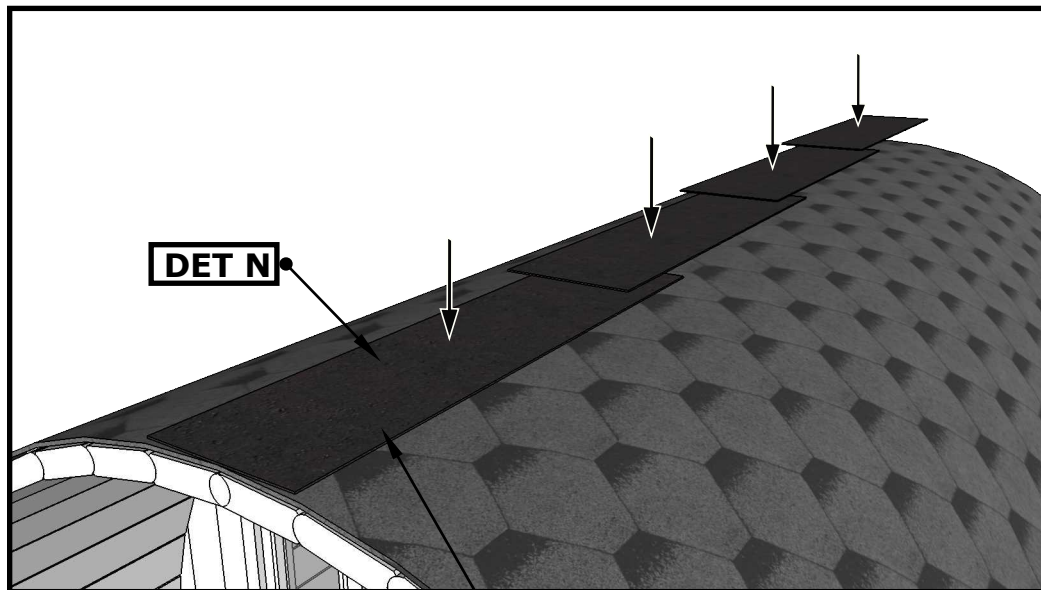


12x H

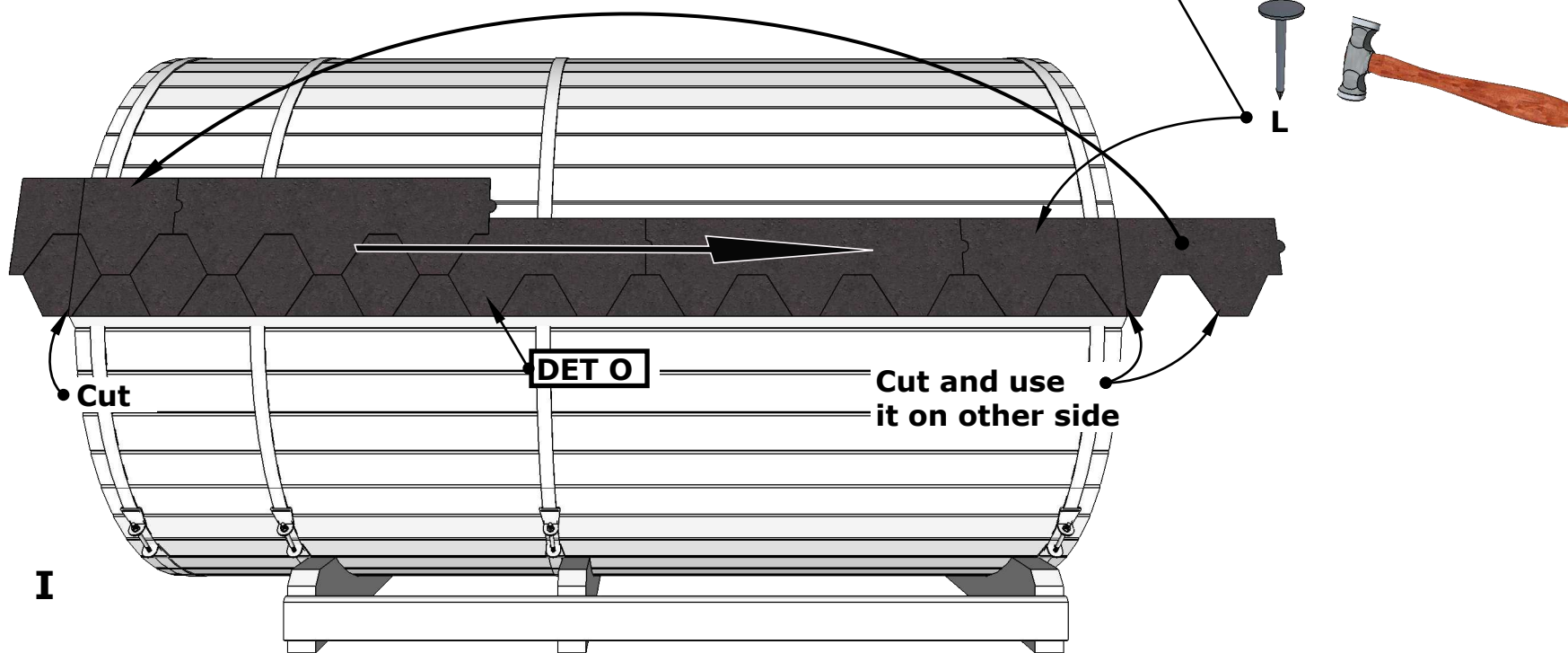
Sauna 330, D 200 (terrace)



NB! See also shingles installation manual inside shingles package.

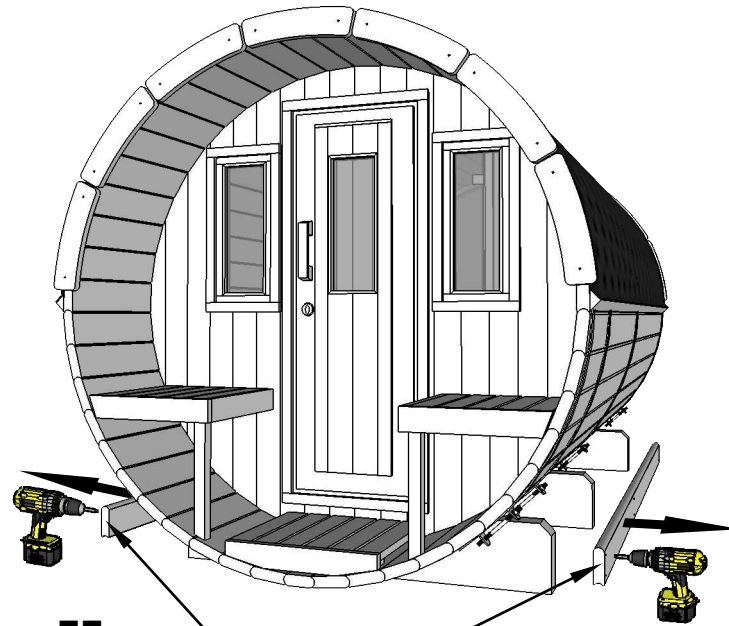


II



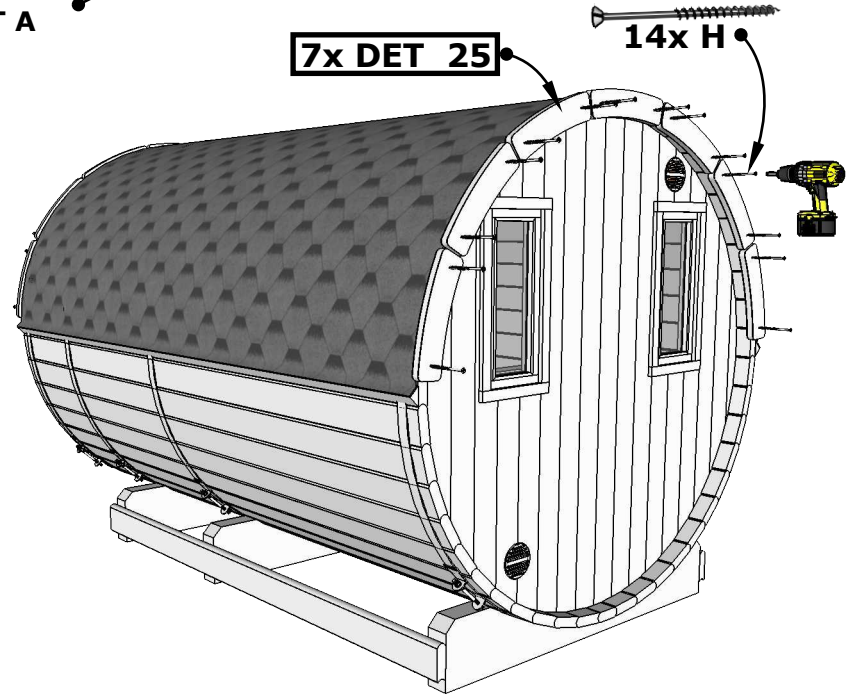
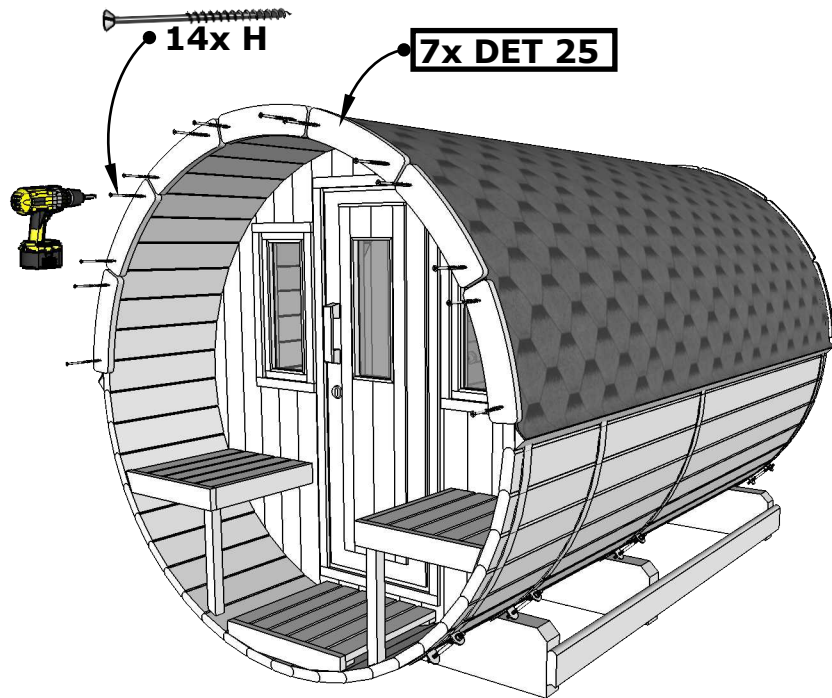
I

Sauna 330, D 200 (terrace)



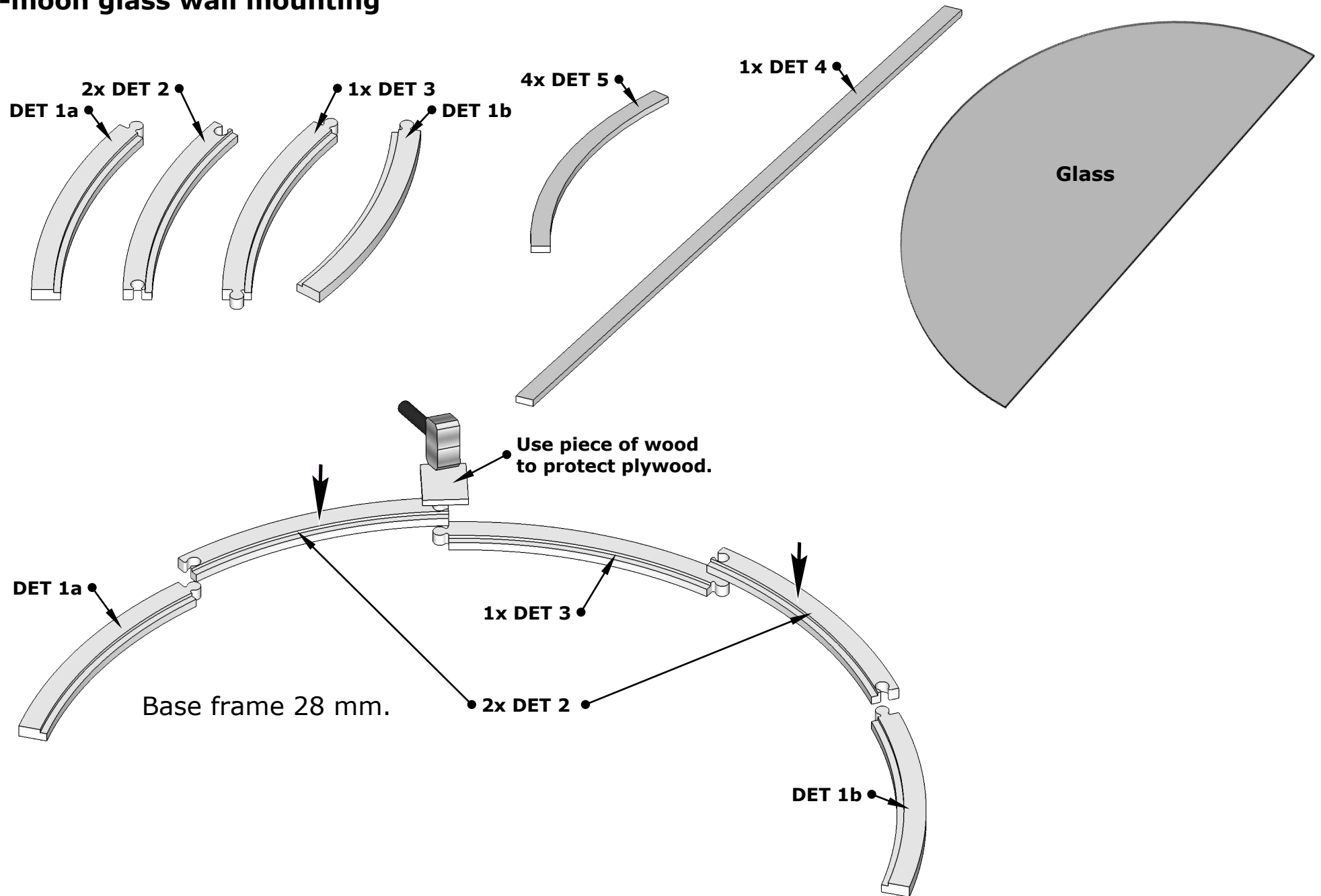
II

Remove
DET A



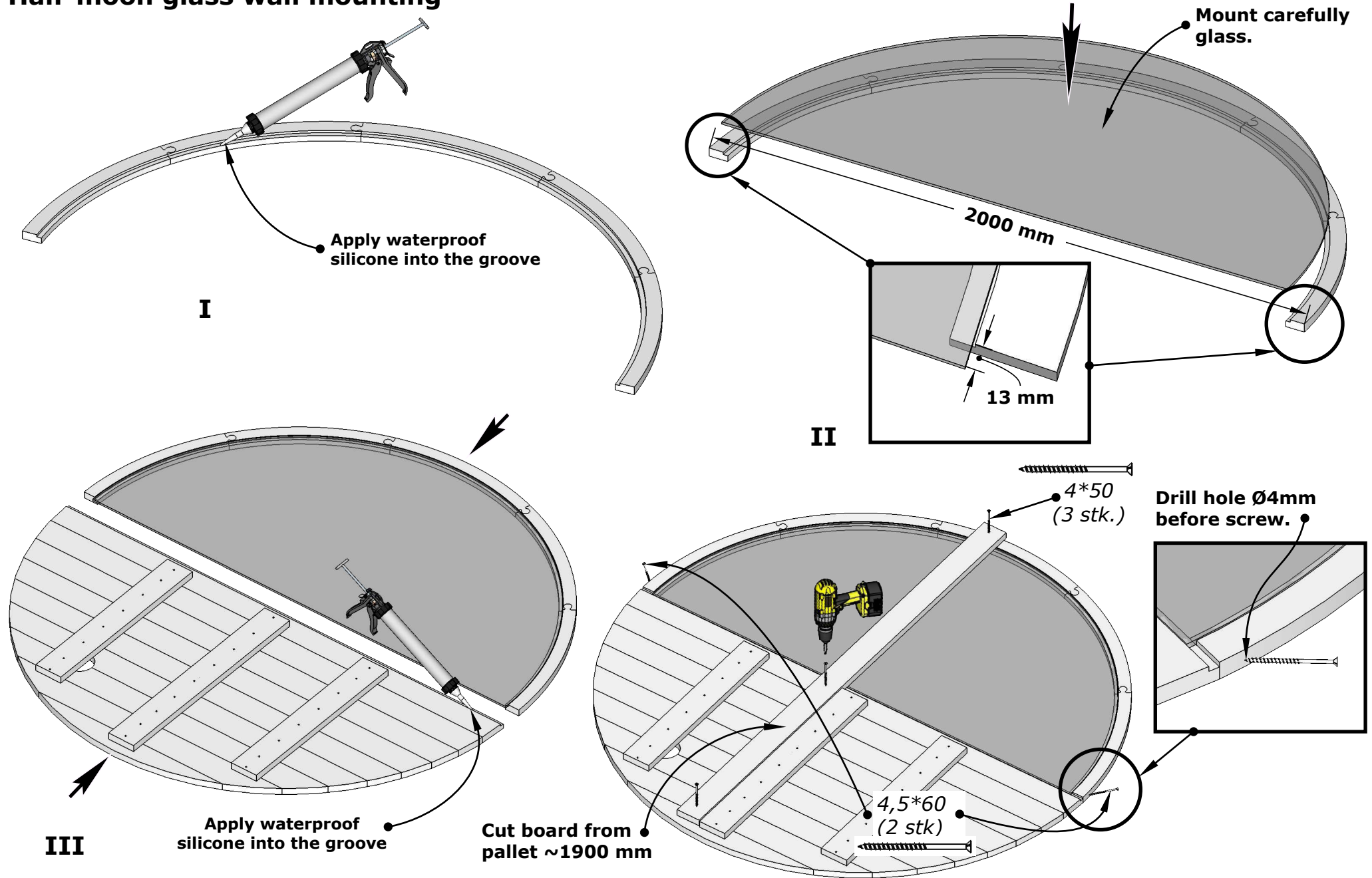
I

Half-moon glass wall mounting

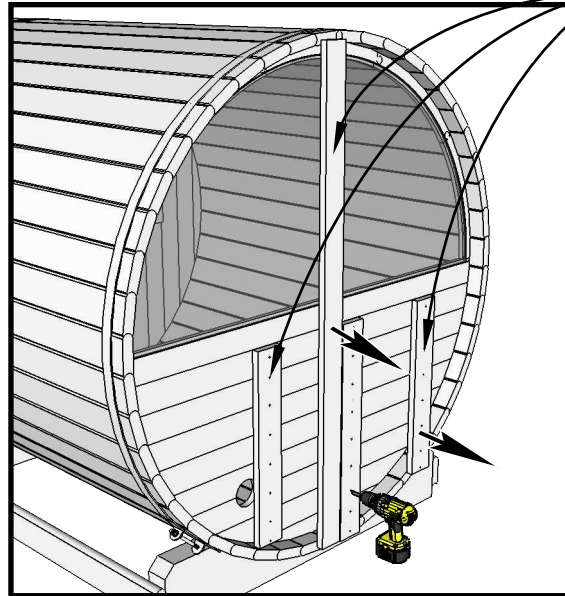


1.

Half-moon glass wall mounting

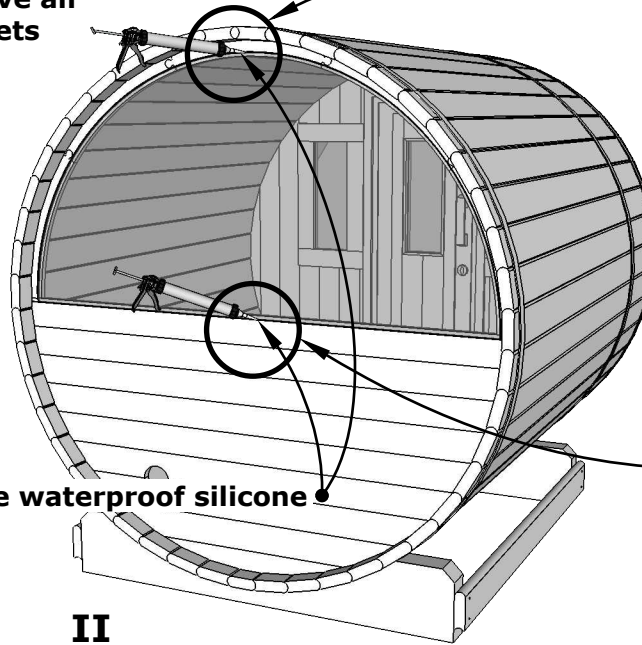


Half-moon glass wall mounting (cover frame 15 mm.)



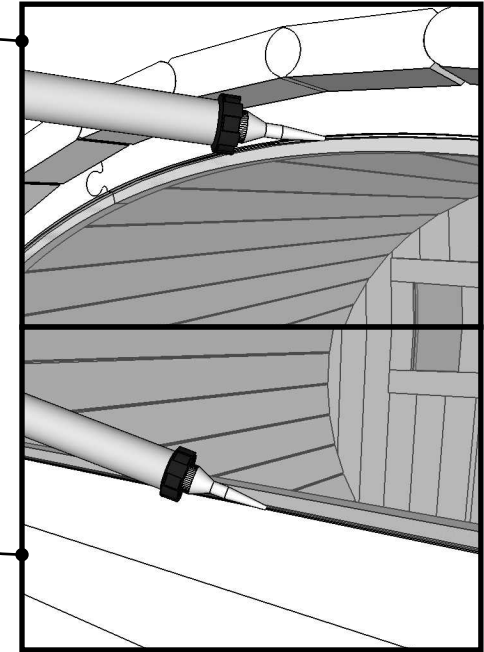
I Please check main installation manual before proceed this step.

Remove all brackets



Use waterproof silicone

II

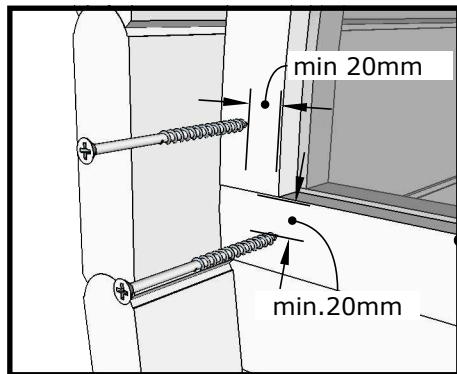


Cut last detail on right size.

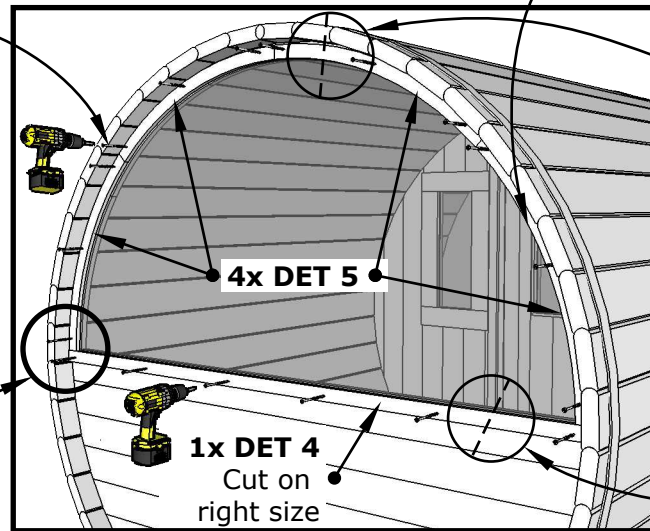
Remove any excess silicone with wet cloth.

Be careful! Do not hit the glass!

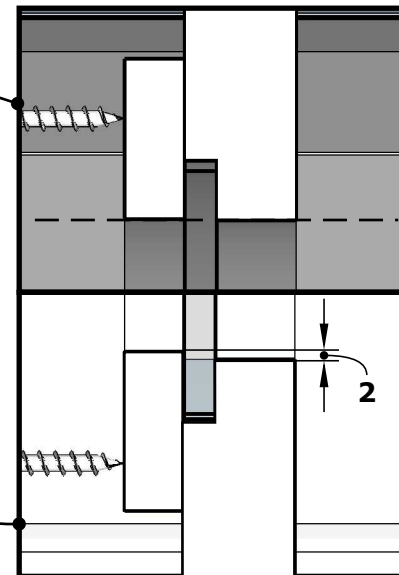
3*40
(18 stk.)



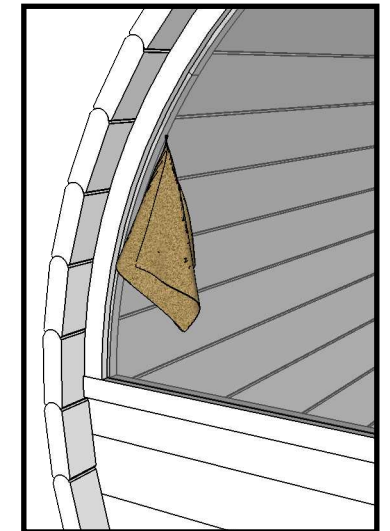
3.



III



IV



Half-moon glass wall mounting (Minerit plate installation)

