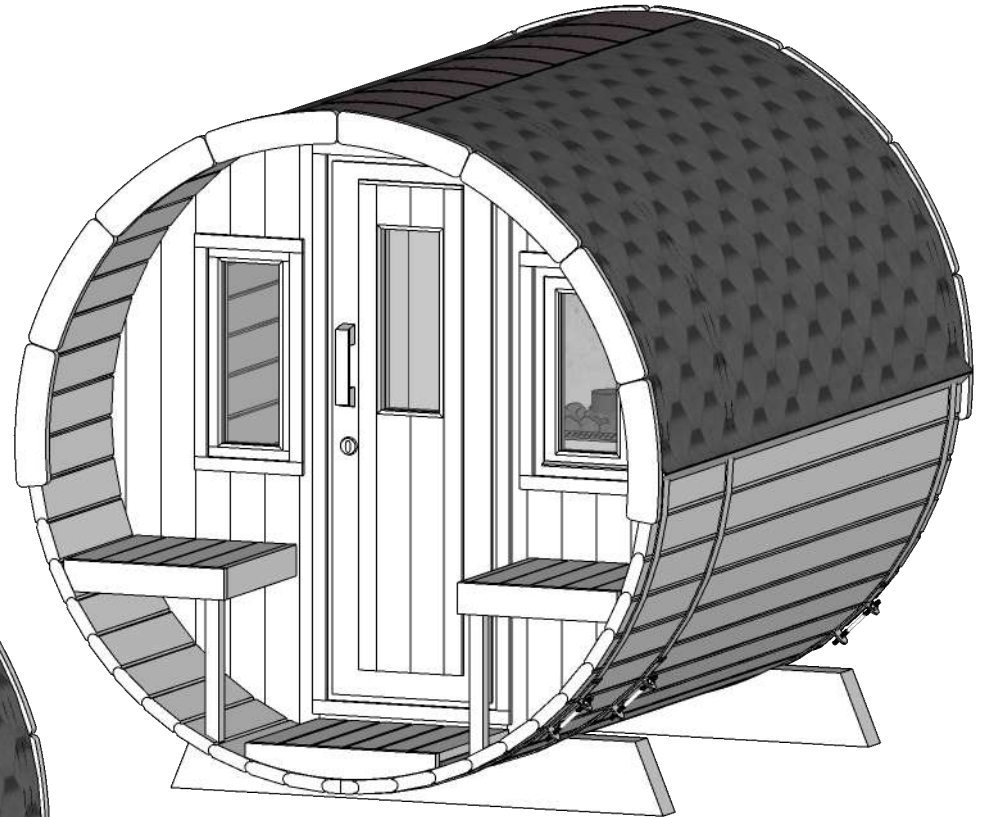
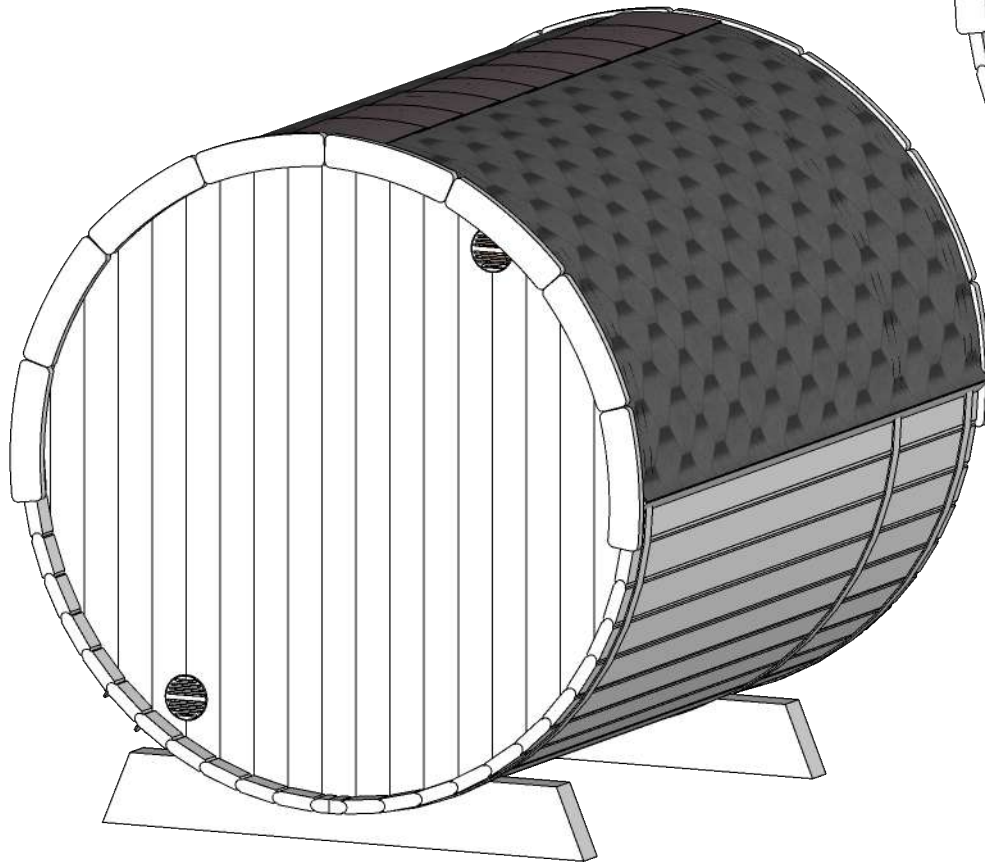


## Sauna 280, Ø200

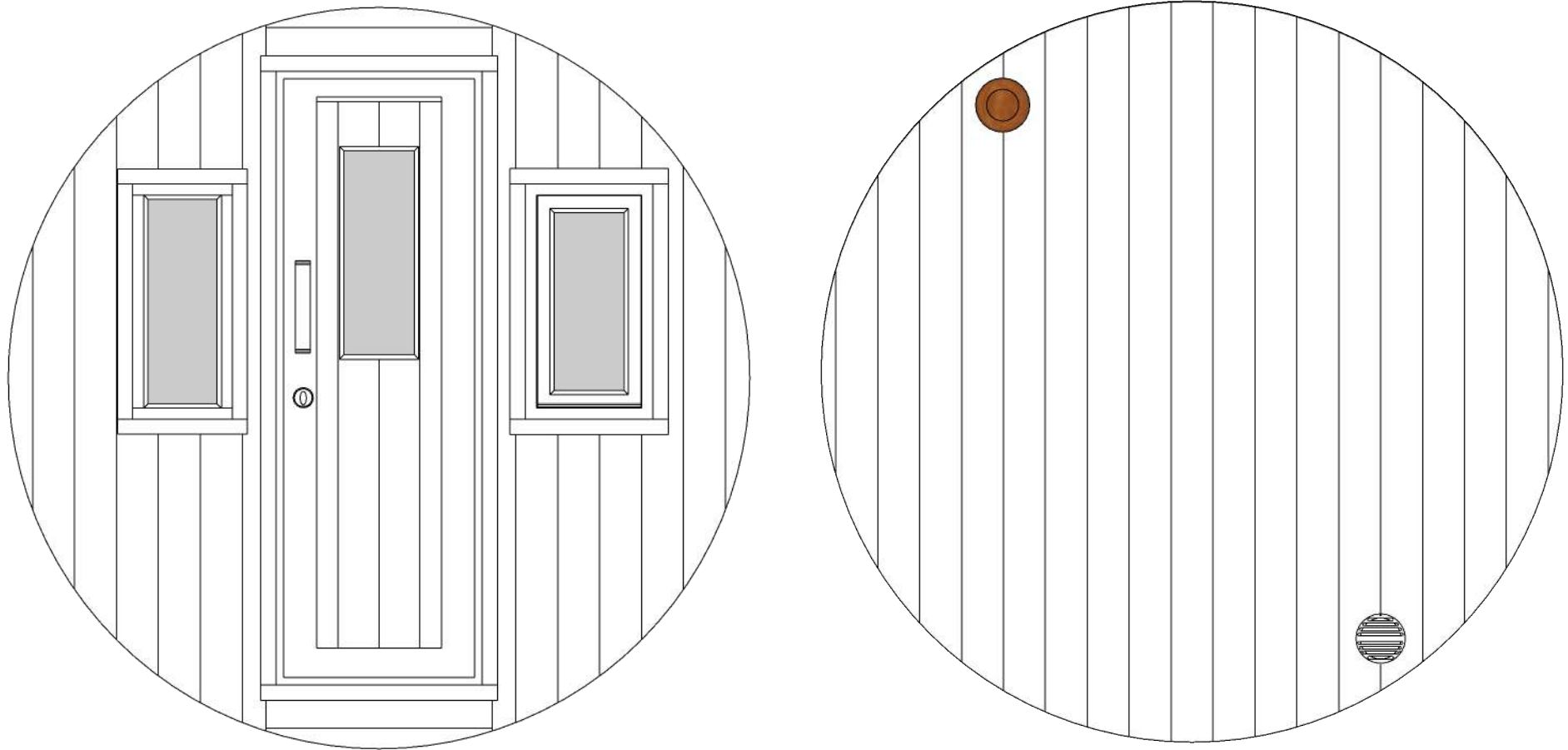
**NB! Please read whole manual  
before start.**

**All given measurements  
are in millimeters!**



( i20-PES-PTS-008 )

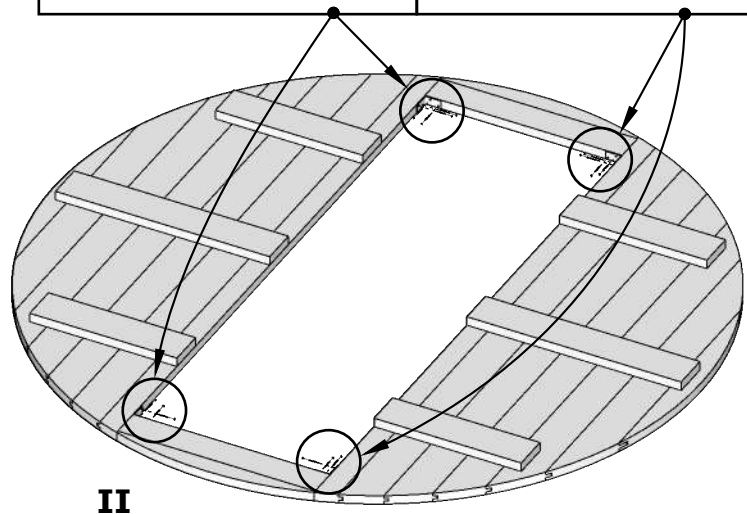
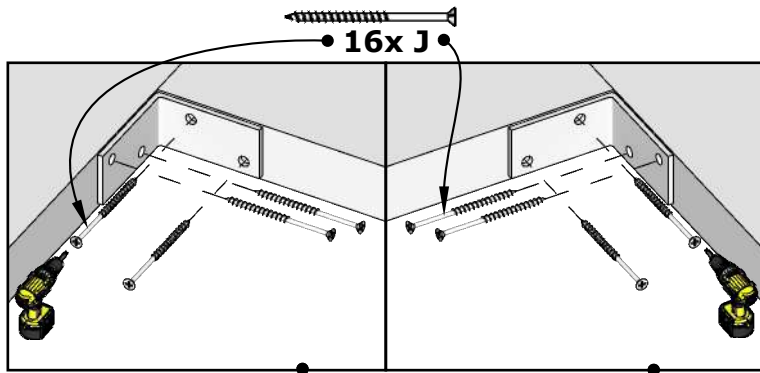
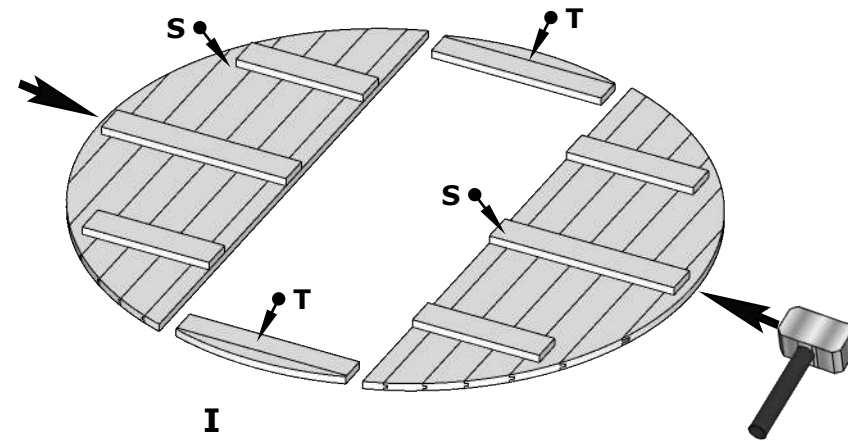
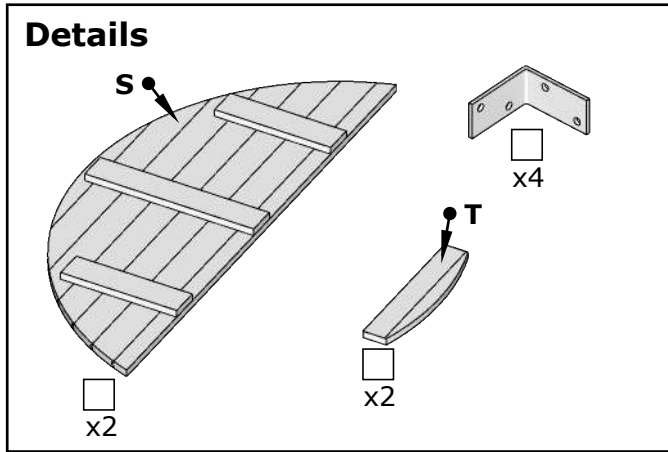
## Wall configuration.



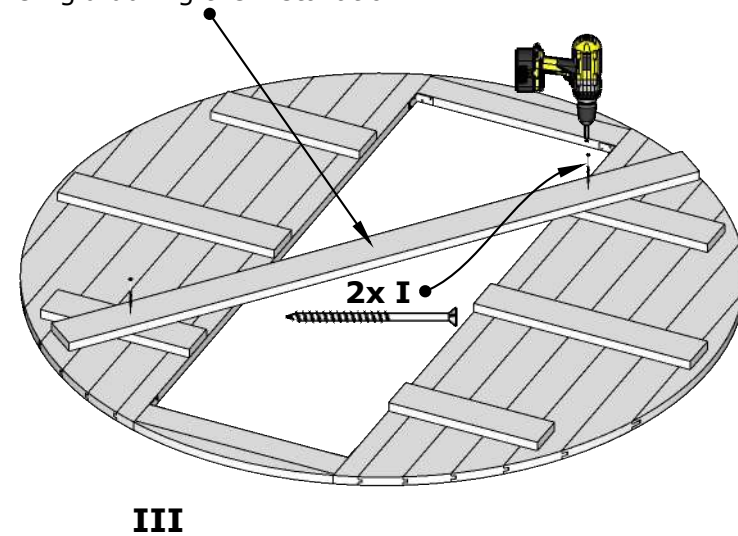
( i20-PES-PTS-008 )

# Wooden front wall assembly

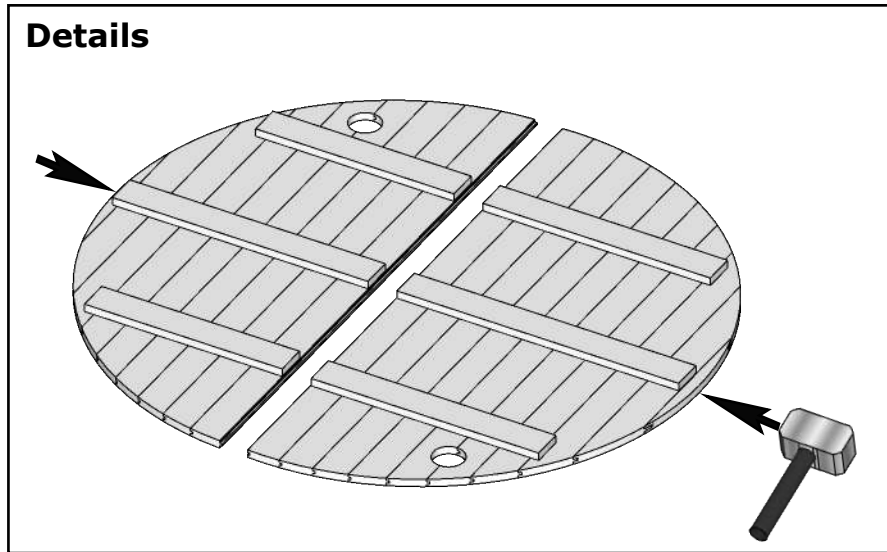
## Details



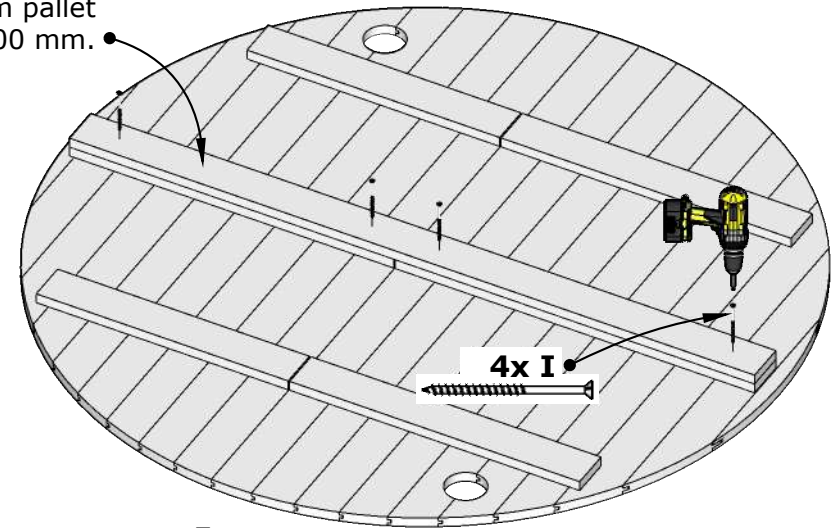
Cut board from pallet L= $\sim$ 1900mm.  
Fix it diagonally to make wall more rigid during the installation.



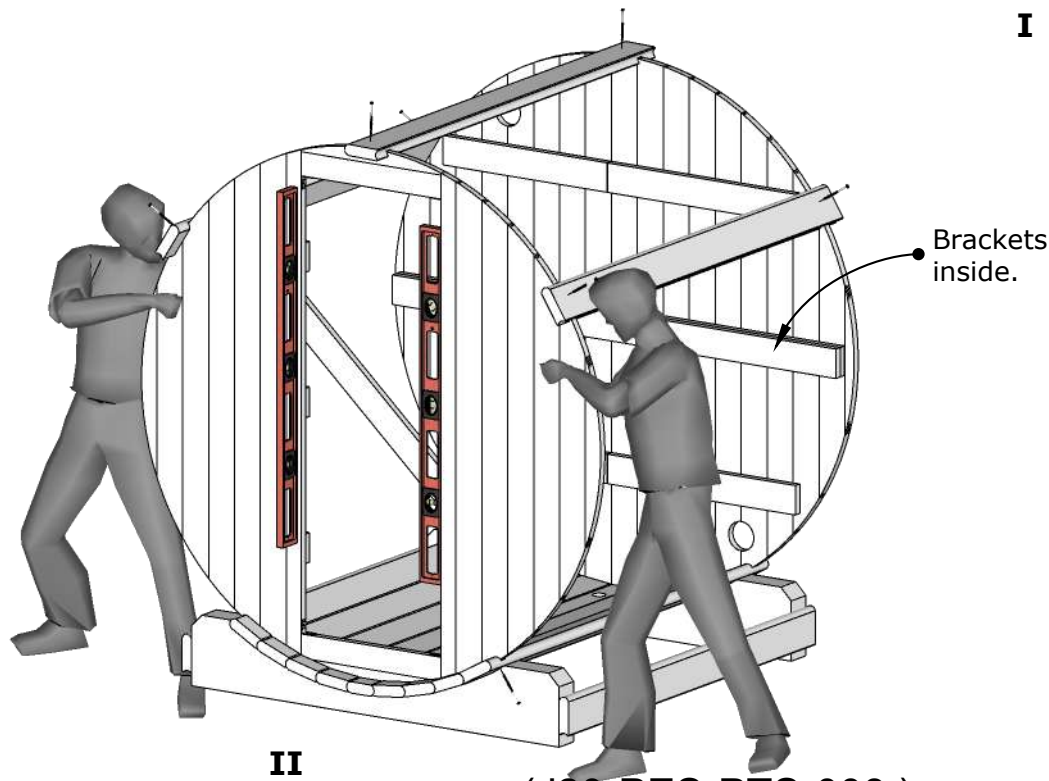
# Wooden back wall assembly



Cut board from pallet  
L ≈ 1900 mm.



**I**



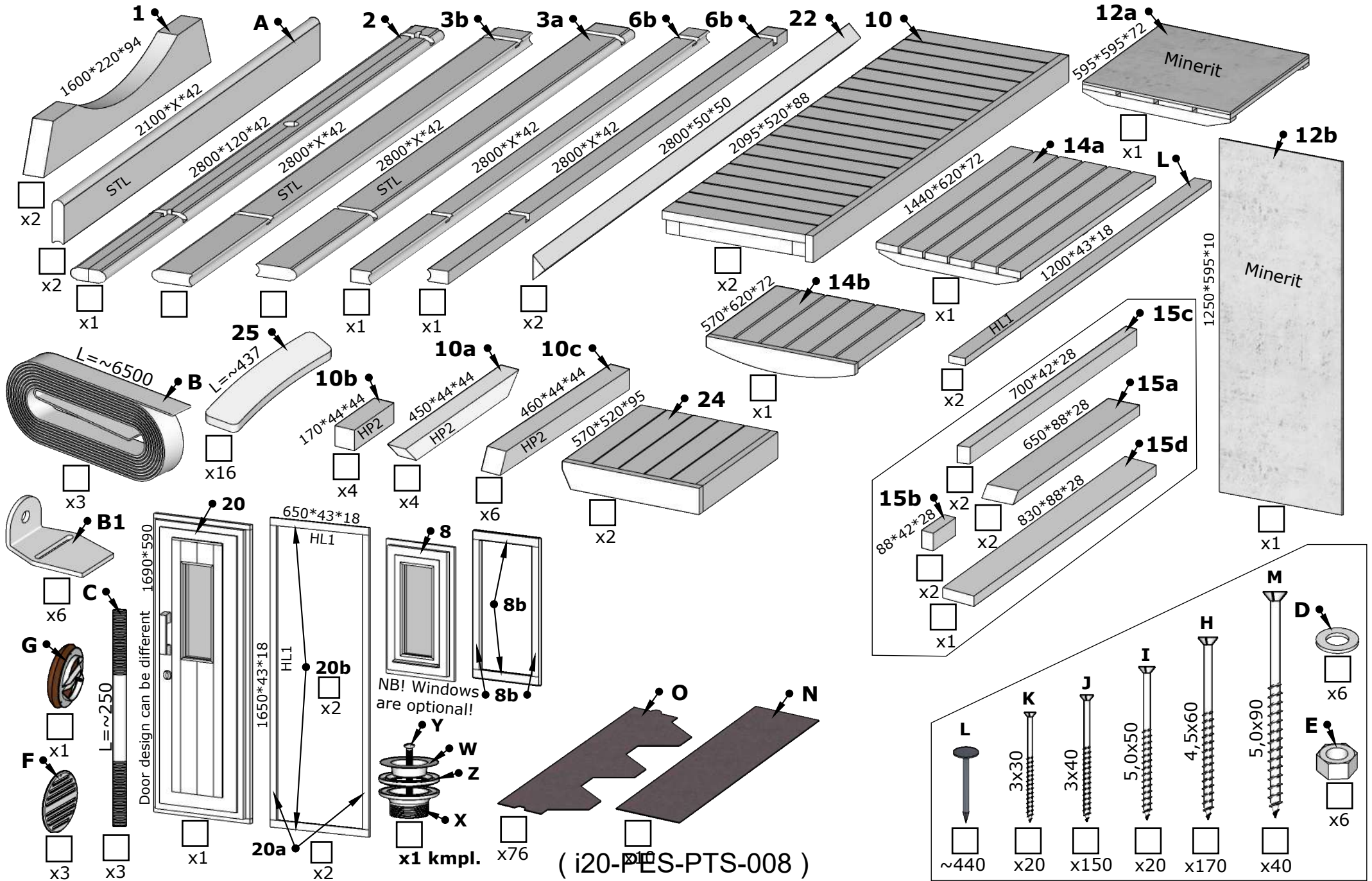
**II**

( i20-PES-PTS-008 )

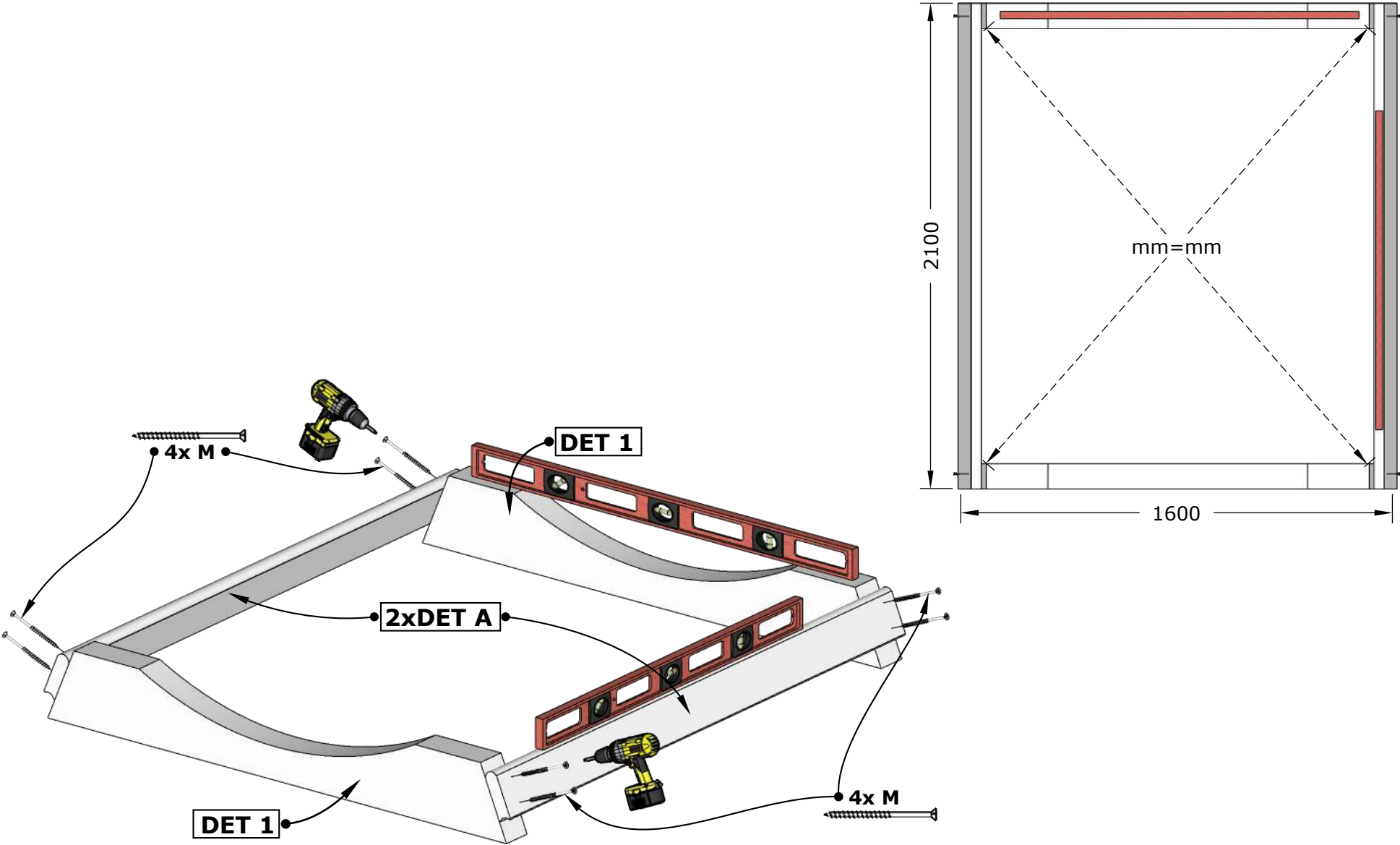


# Sauna 280, Ø200

## Details list.



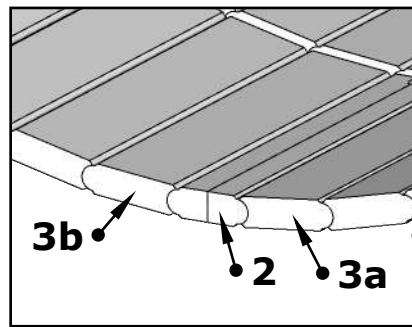
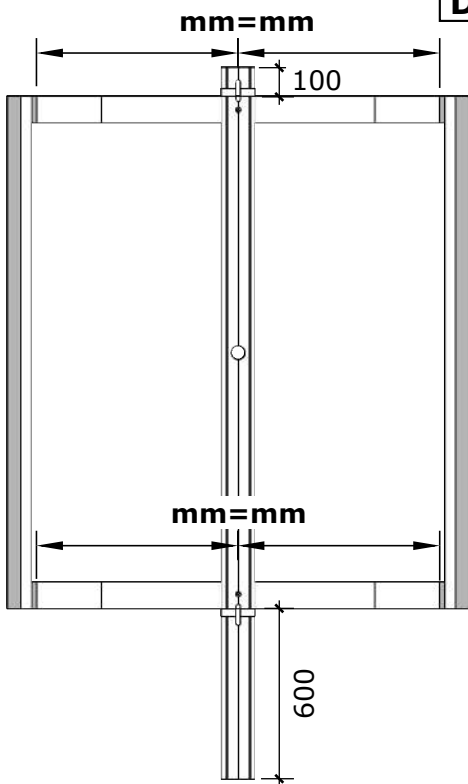
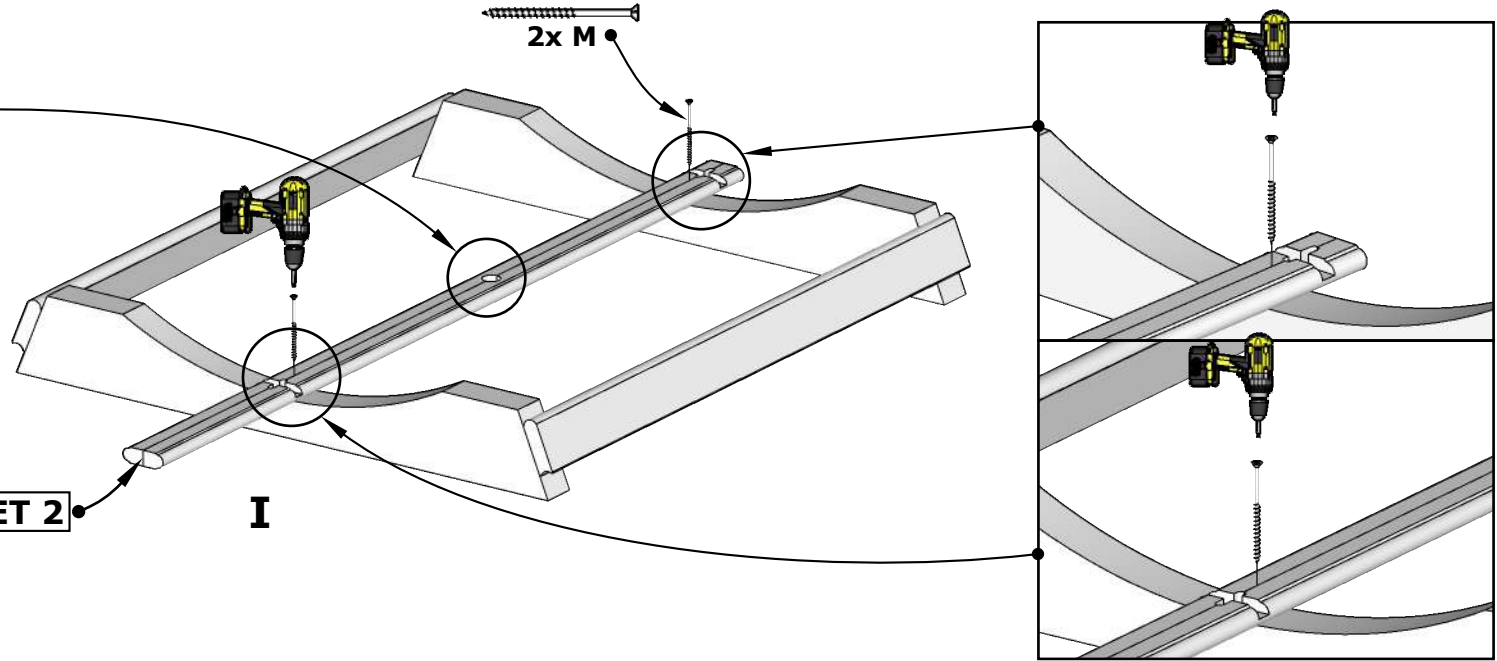
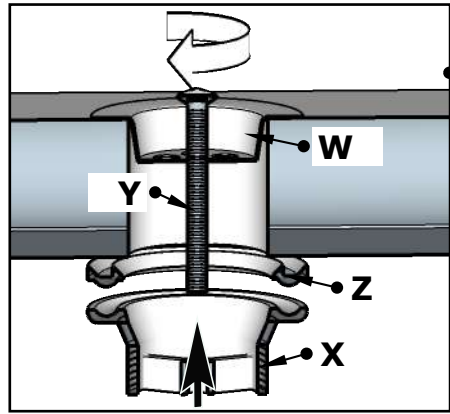
Sauna 280, Ø200



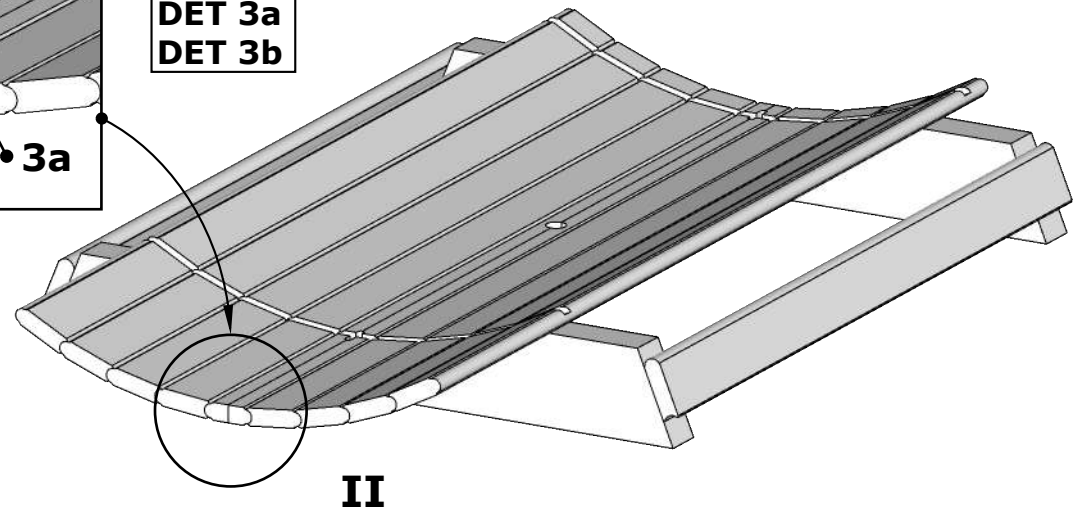
1.

( i20-PES-PTS-008 )

# Sauna 280, Ø200

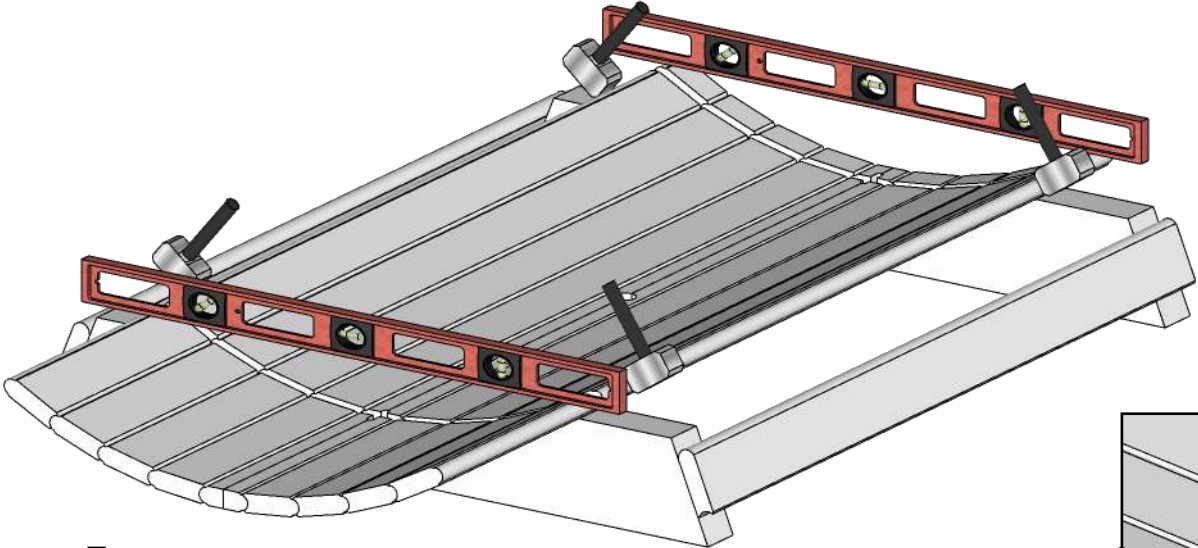


DET 3a  
DET 3b

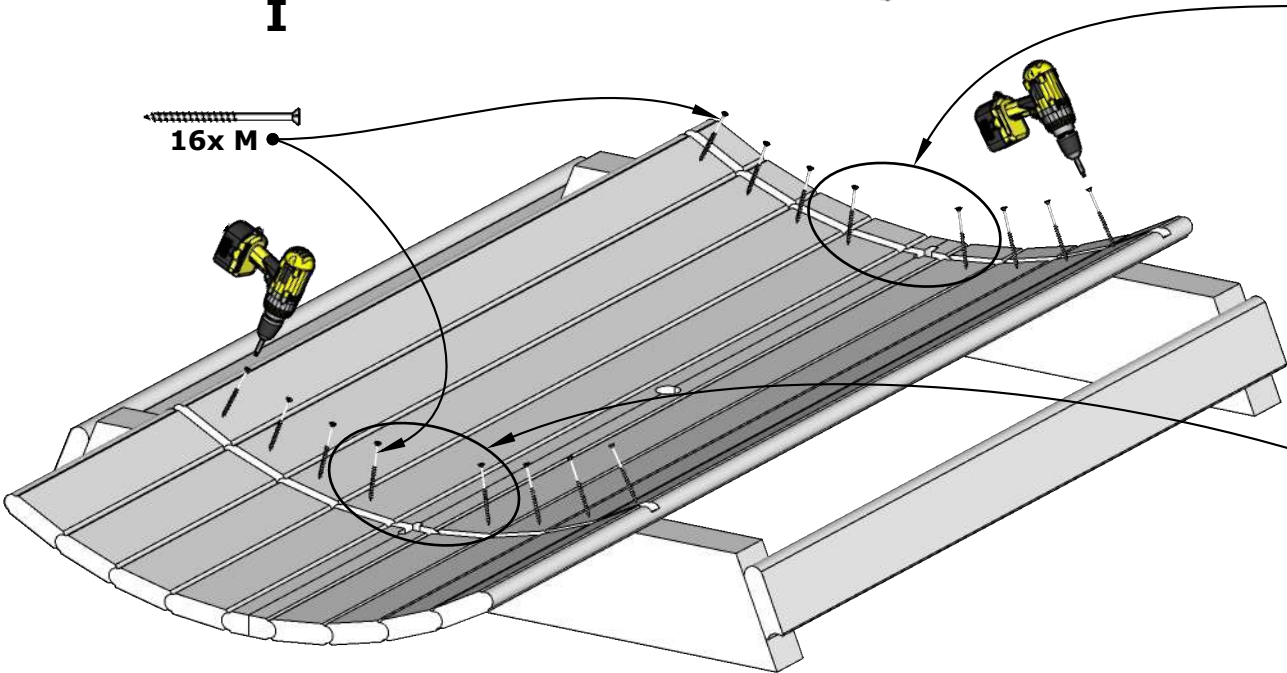




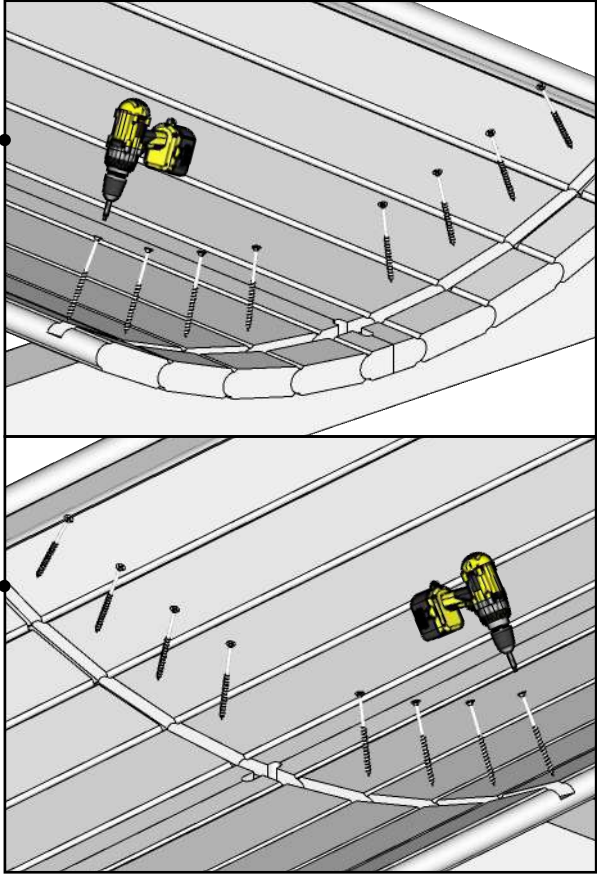
Sauna 280, Ø200



I



II





# Sauna 280, Ø200

Use waterlevel

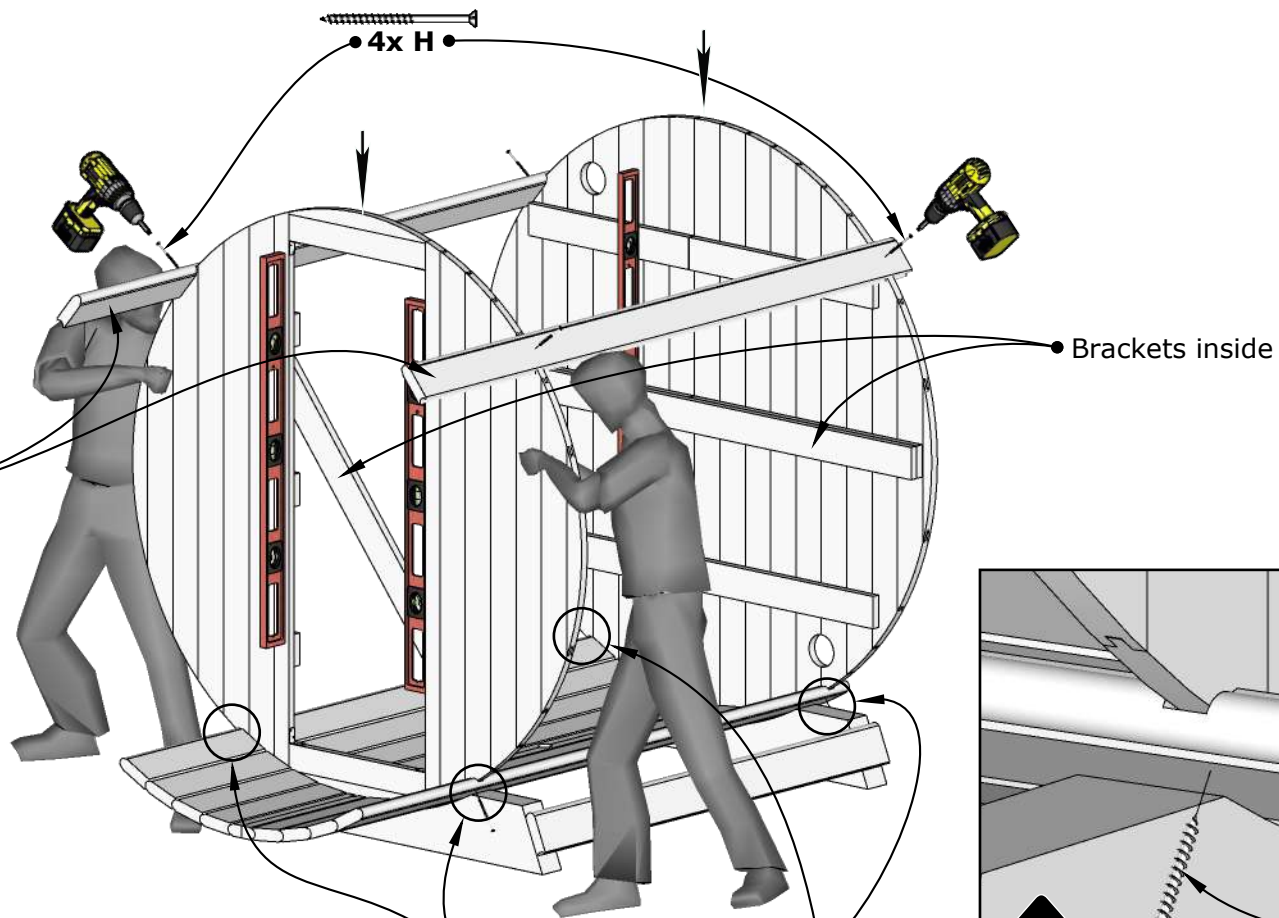


Check walls installation manual on extra pages!

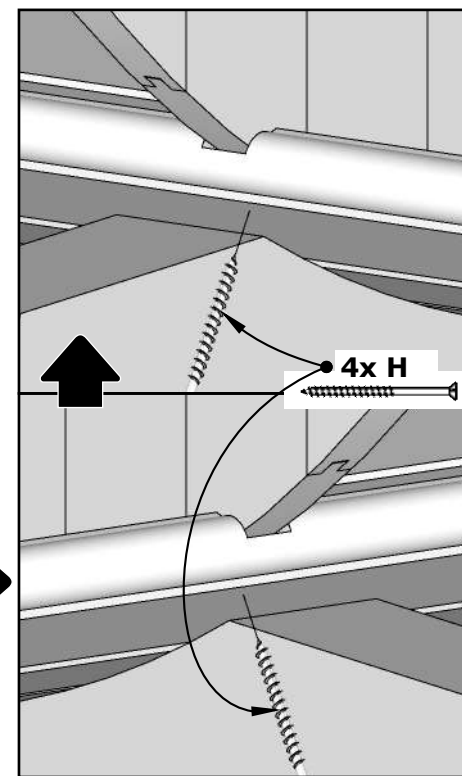
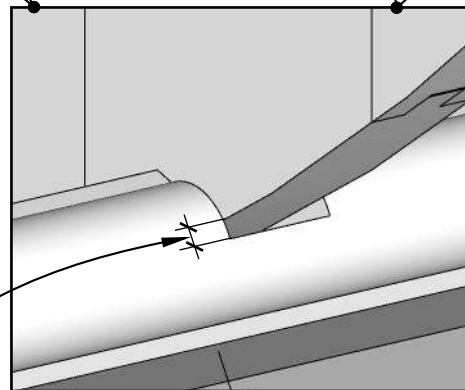
Sauna wall configuration depends on Your model!

**DET 3a**  
**DET 3b**

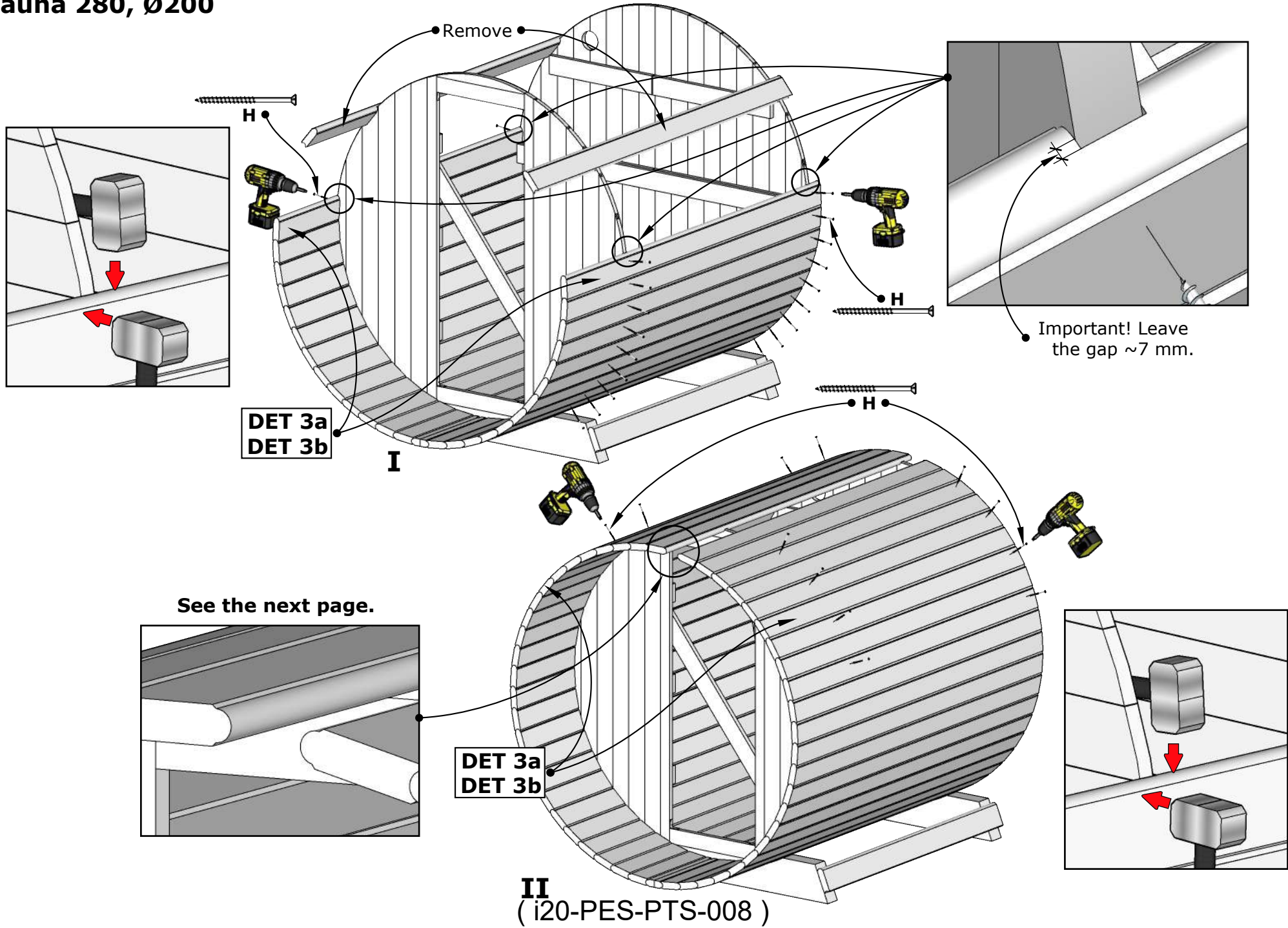
Fix temporarily to support walls.



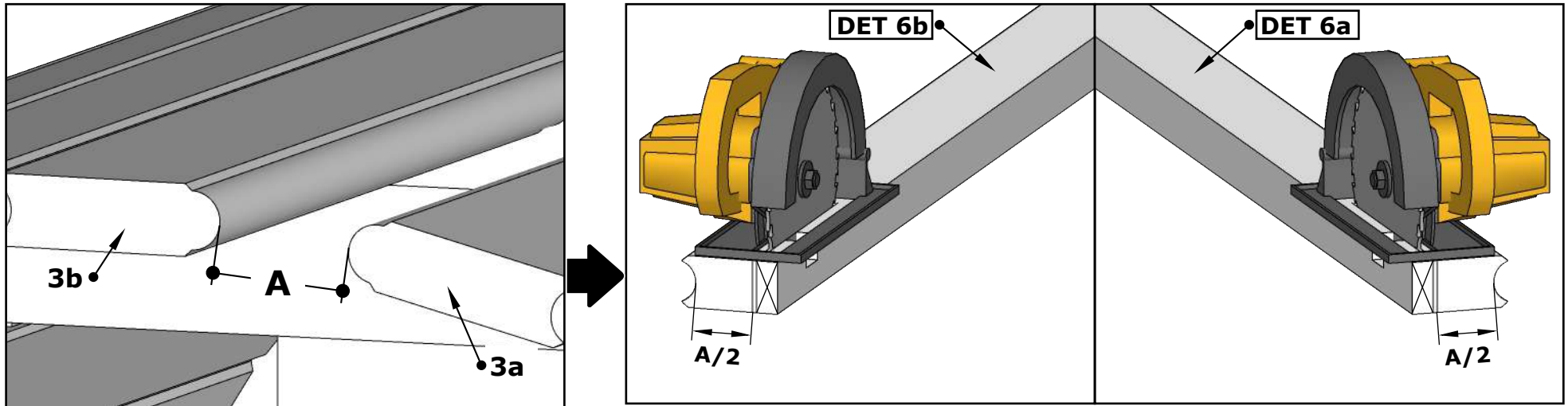
Important! Leave the gap ~7 mm.



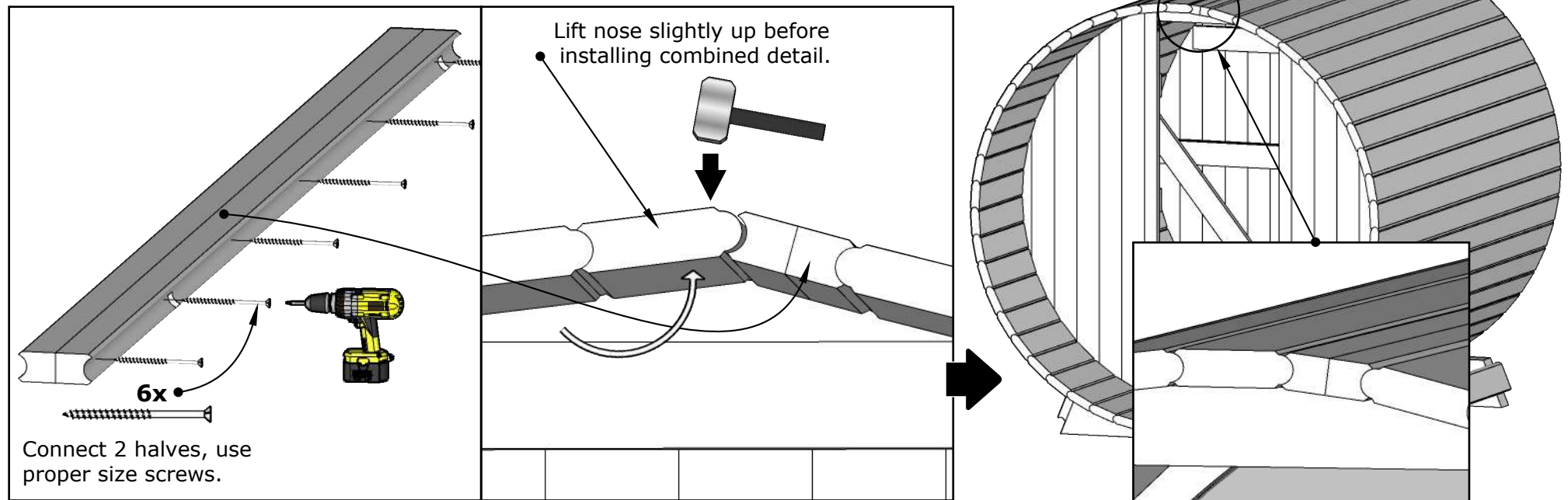
# Sauna 280, Ø200



# Sauna 280, Ø200



**I**



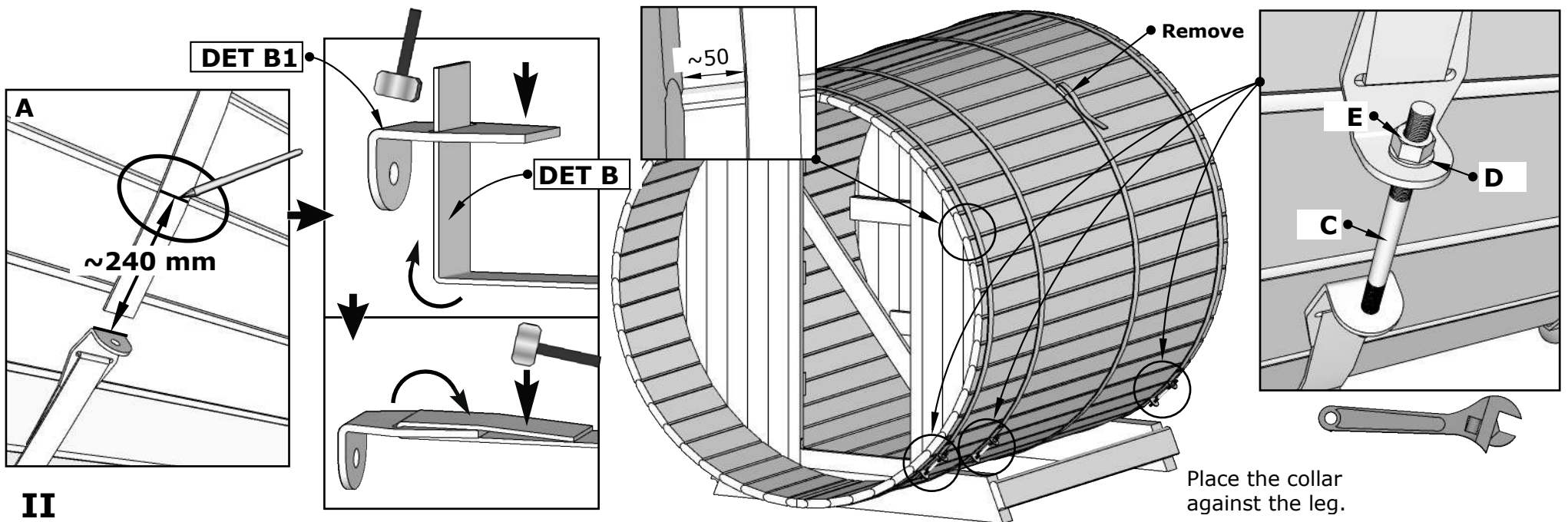
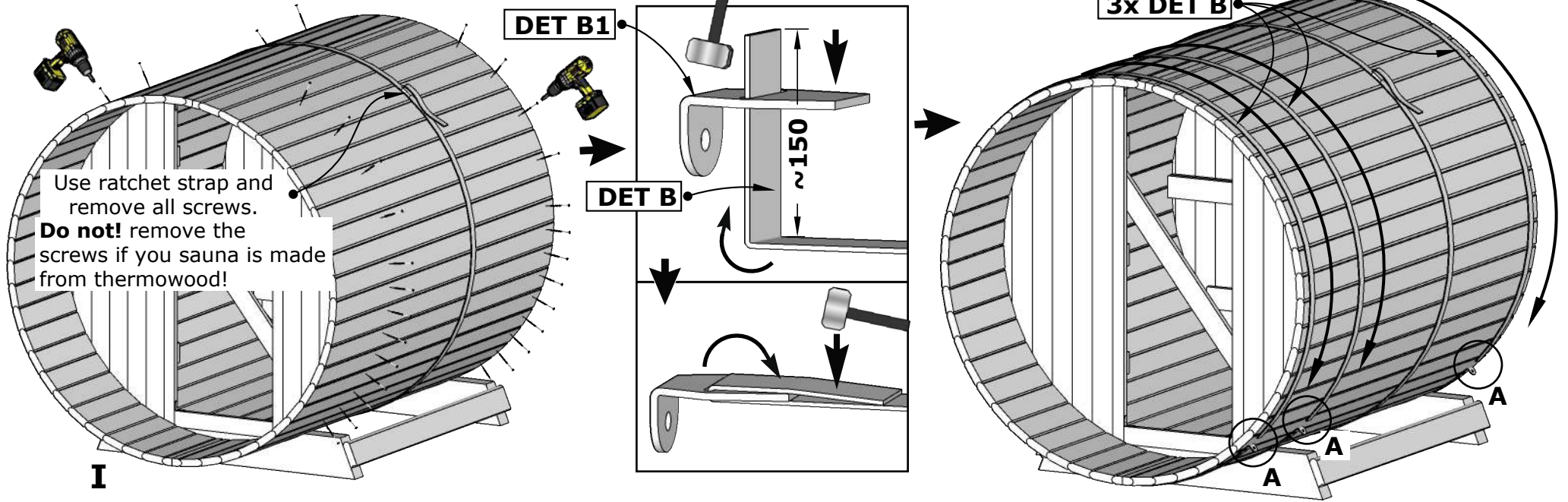
**II**

6.

( i20-PES-PTS-008 )

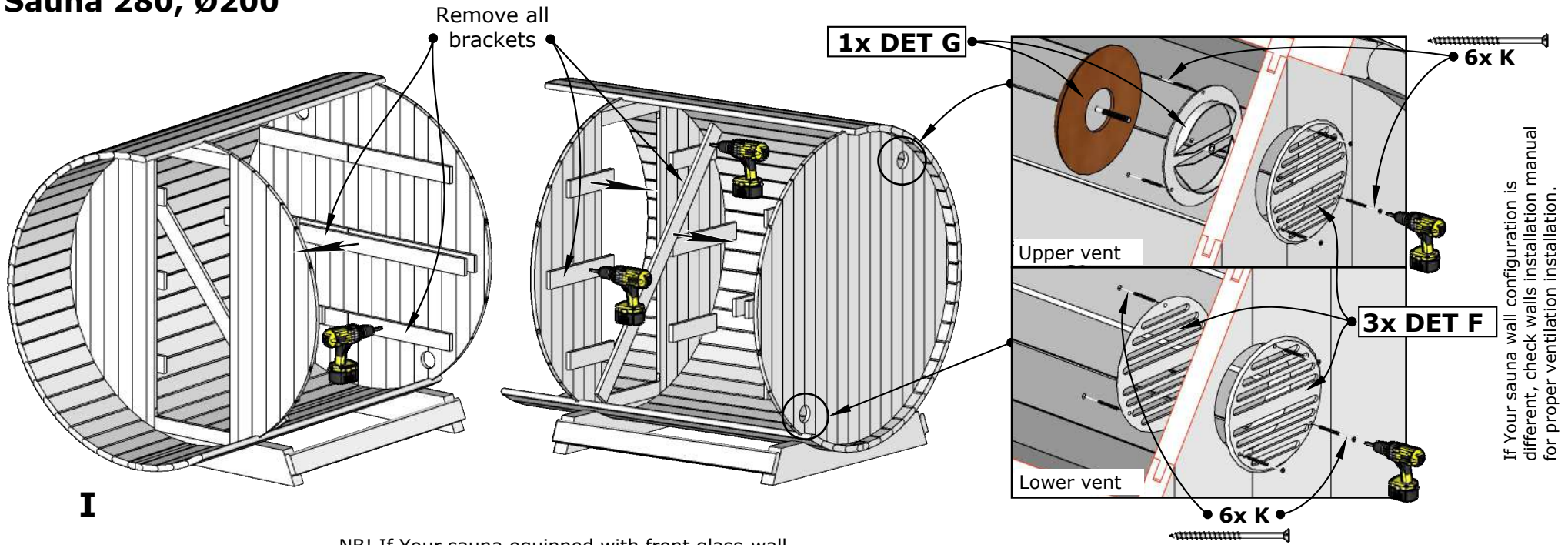


# Sauna 280, Ø200





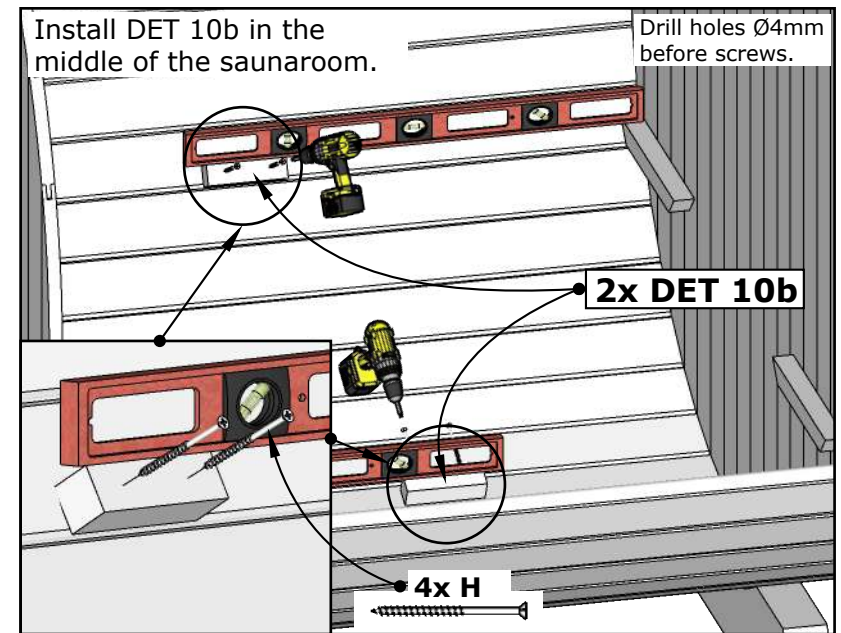
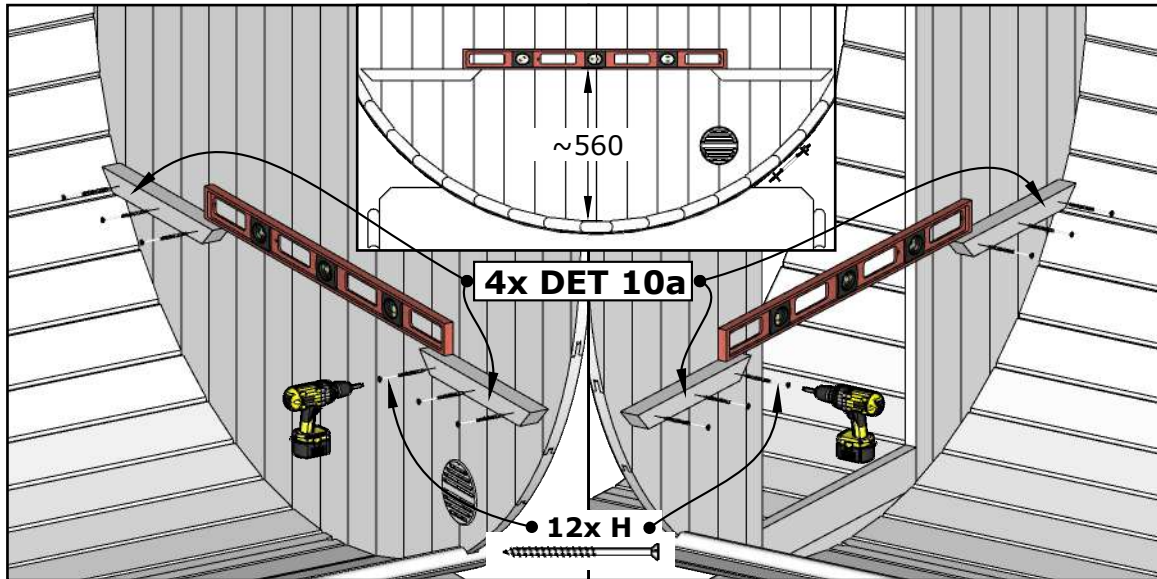
# Sauna 280, Ø200



If Your sauna wall configuration is different, check walls installation manual for proper ventilation installation.

I

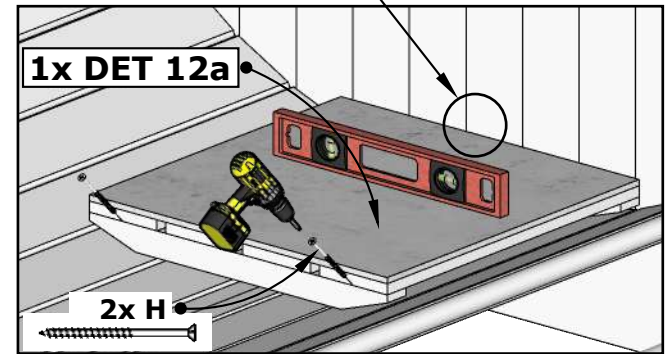
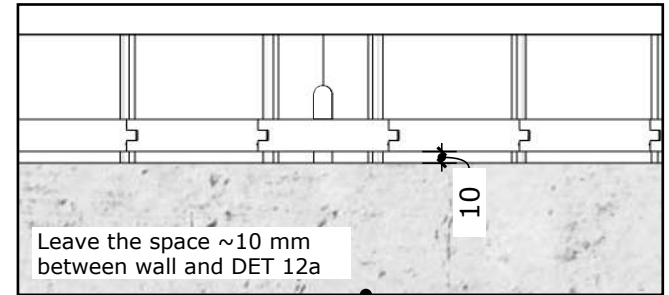
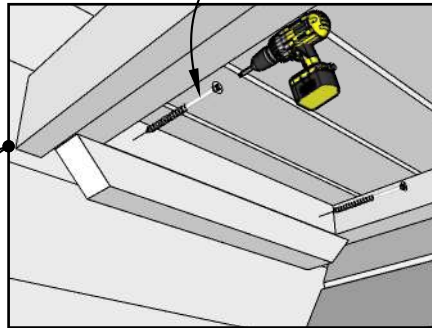
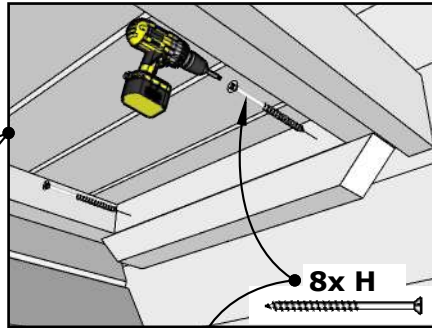
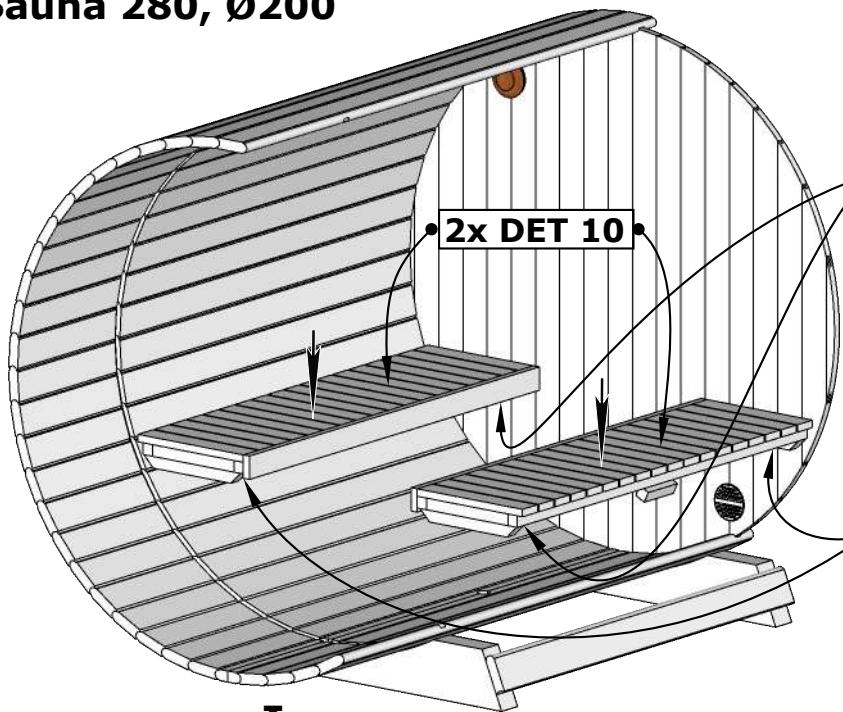
NB! If Your sauna equipped with front glass-wall, the sauna benches installation manual included in front glass-wall installation manual.



8. II

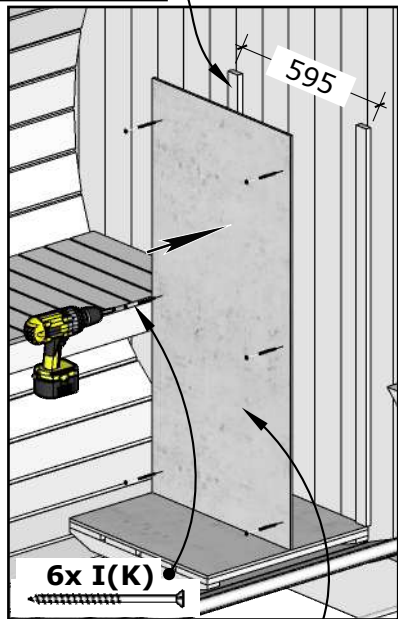
( i20-PES-PTS-008 )

# Sauna 280, Ø200



2x DET L

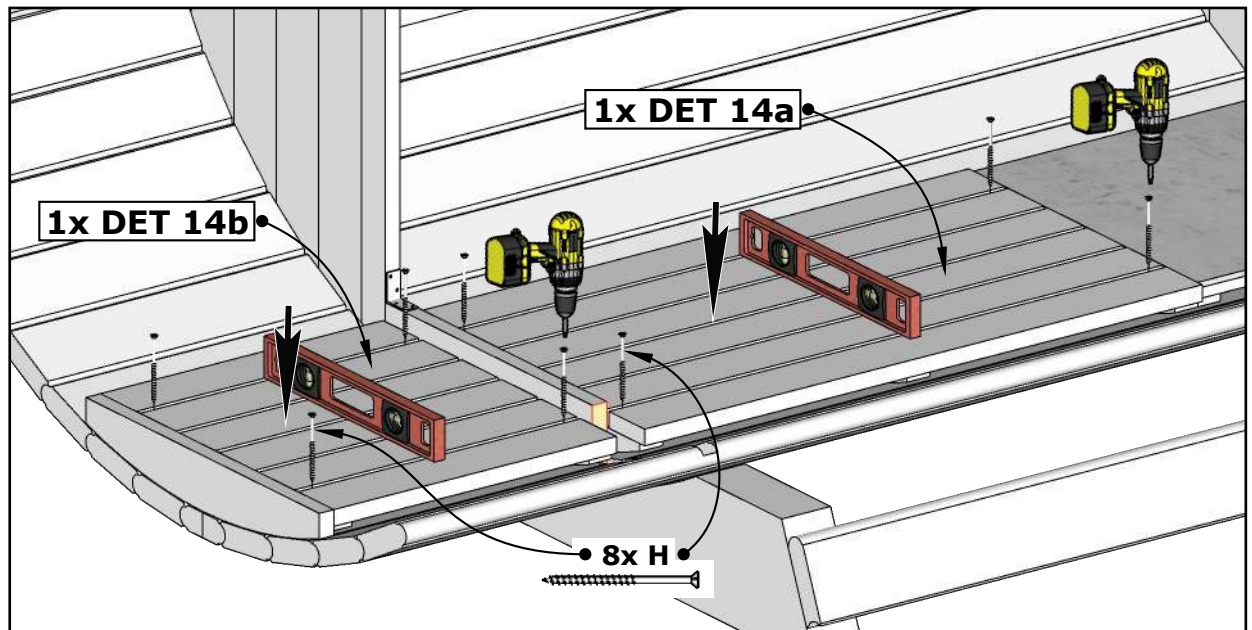
I



If Your sauna equipped with electrical heater, fix DET 12 b directly to the wall without DET L. Then use screws K.

9.

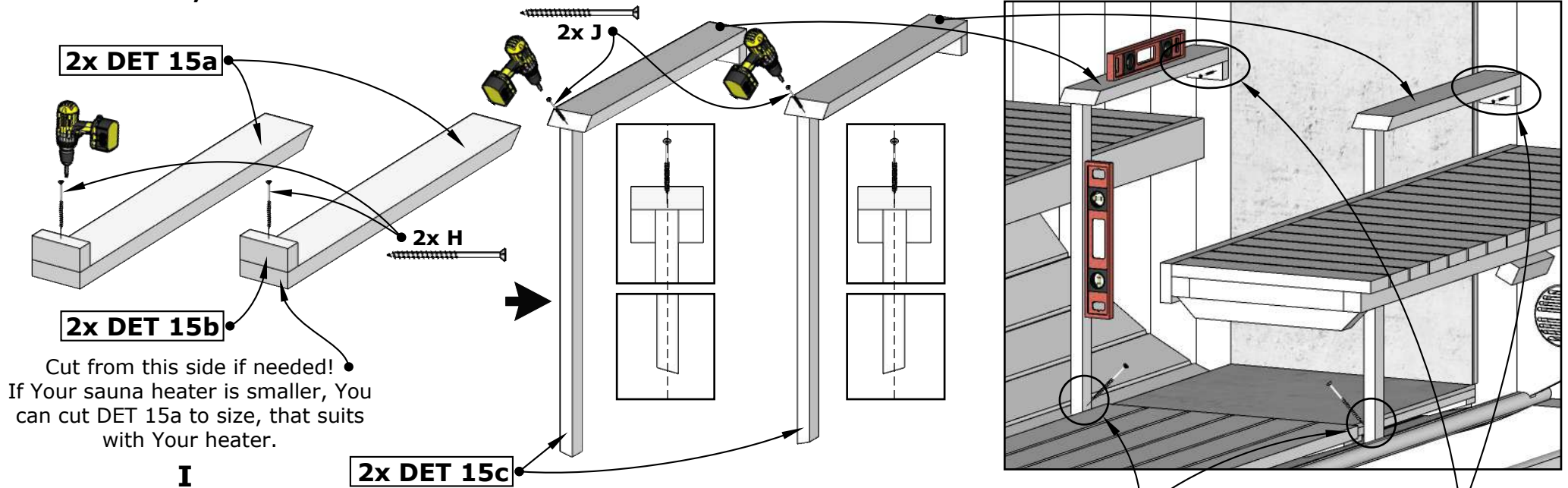
II 1x DET 12b



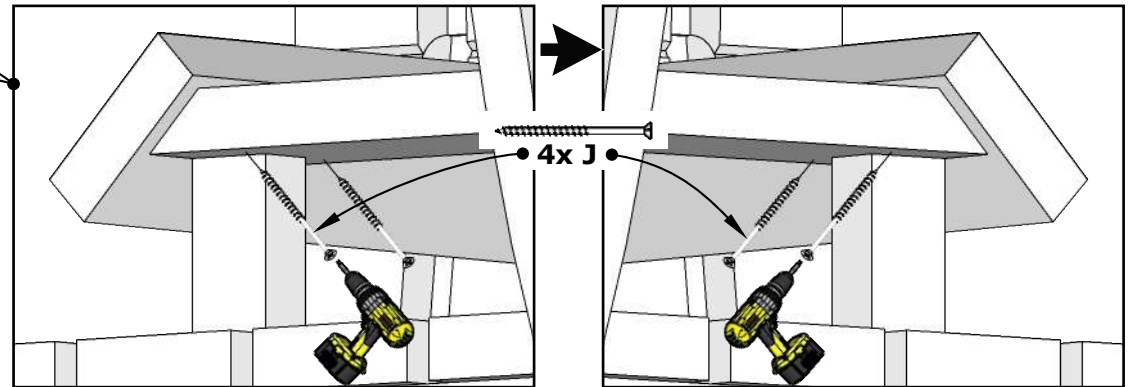
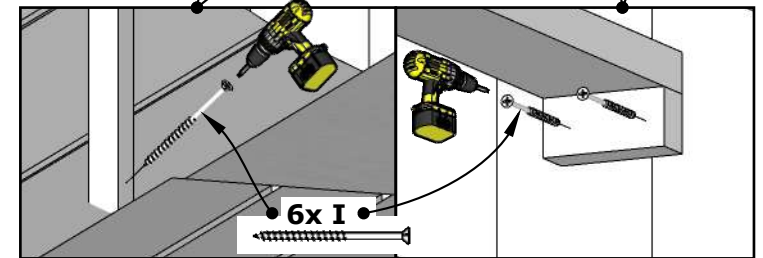
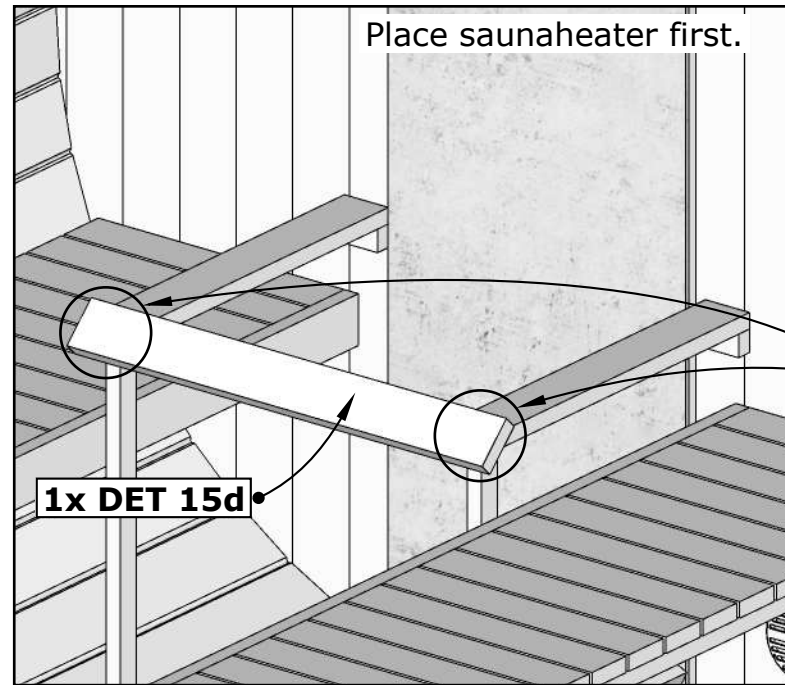
III( i20-PES-PTS-008 )



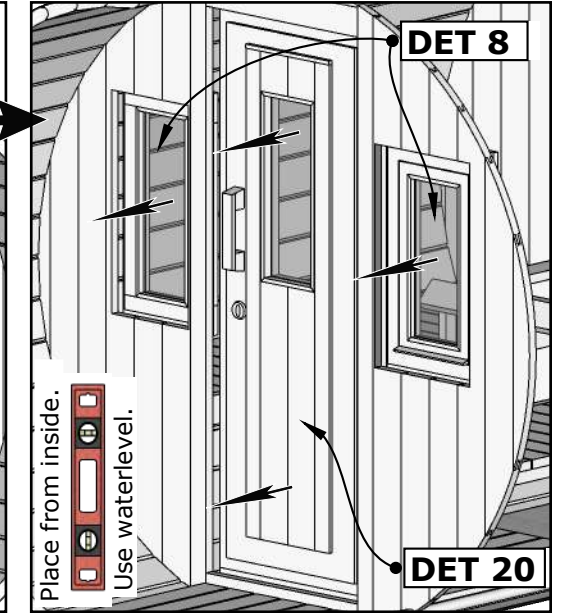
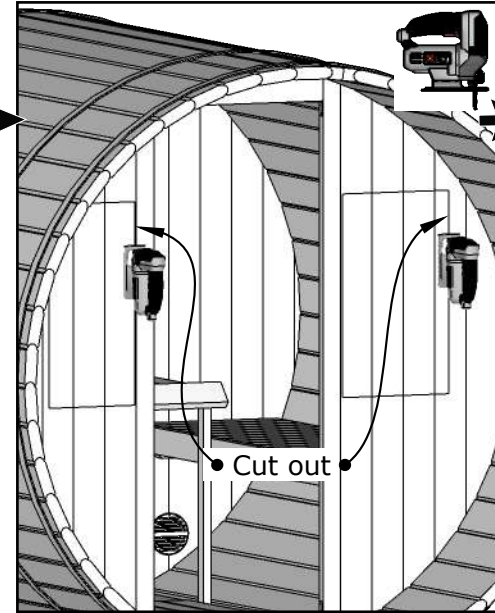
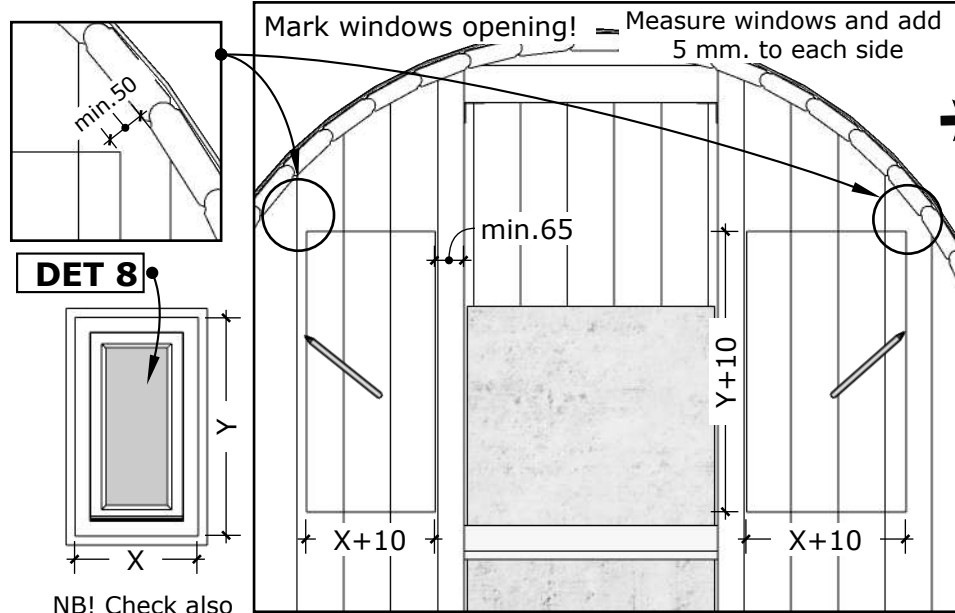
# Sauna 280, Ø200



Cut from this side if needed!  
If your sauna heater is smaller, you can cut DET 15a to size, that suits with your heater.



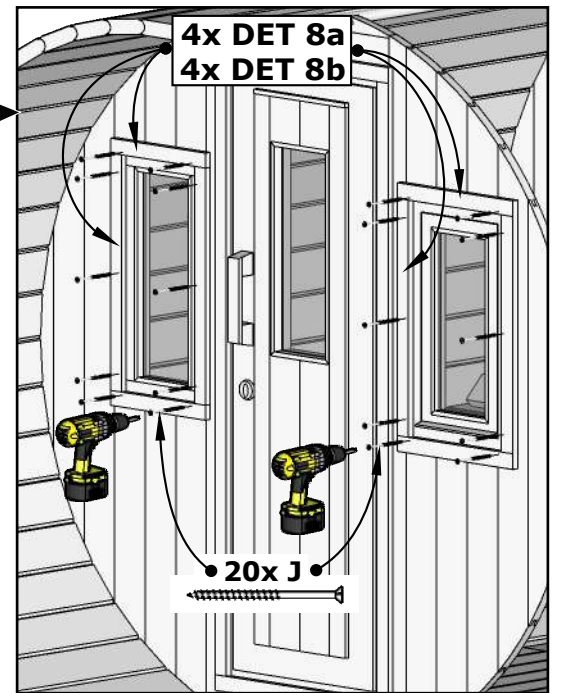
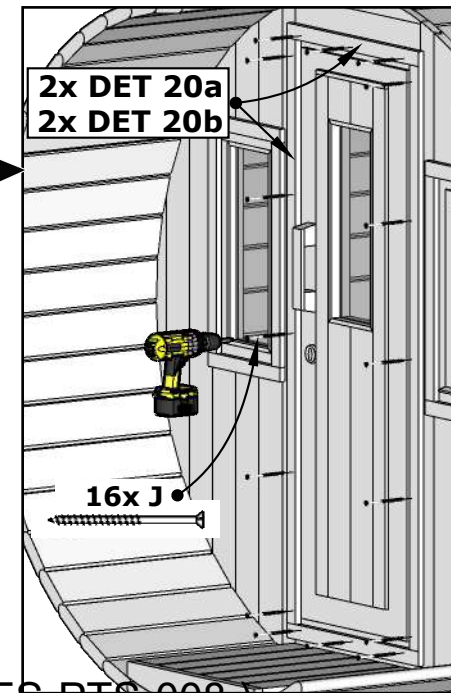
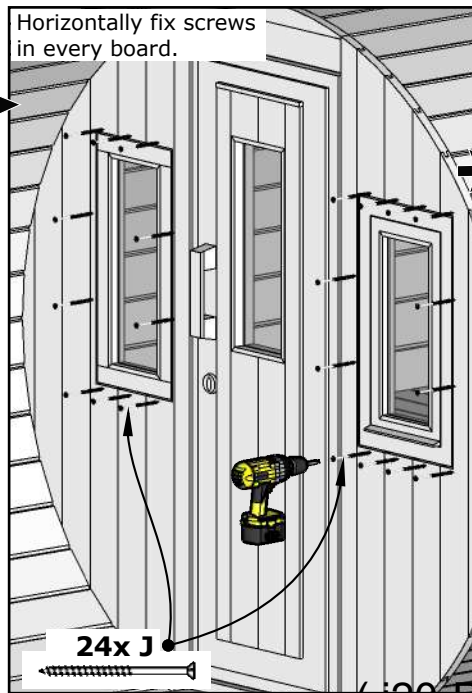
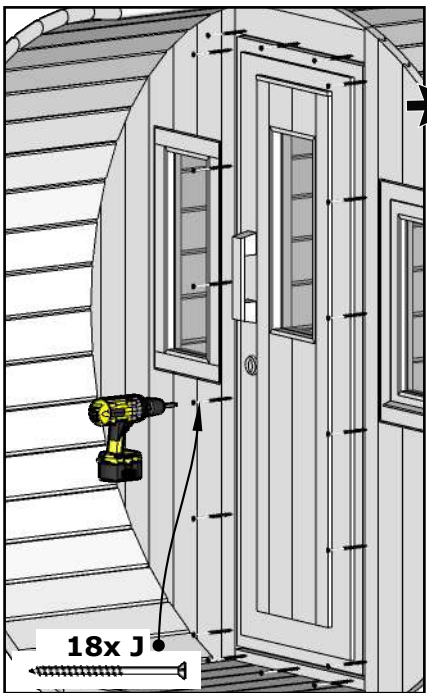
**Sauna 280, Ø200** NB! Only if Your sauna equipped with windows!



NB! Check also casement windows handing!

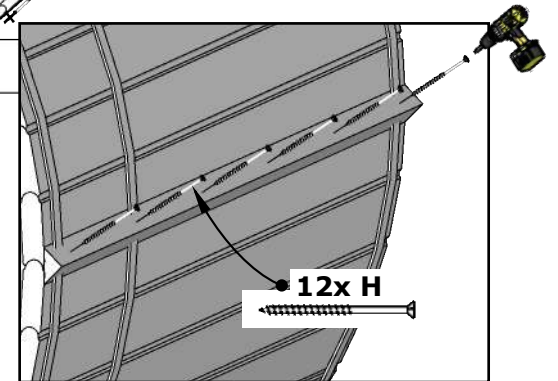
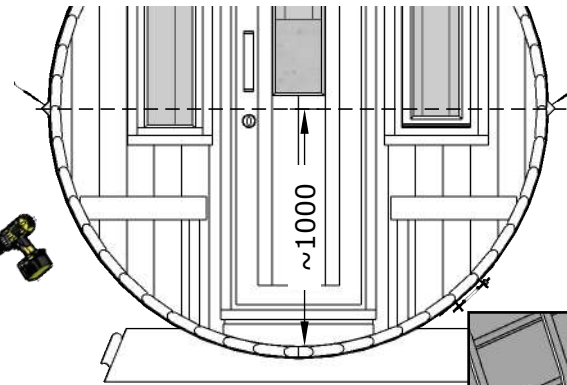
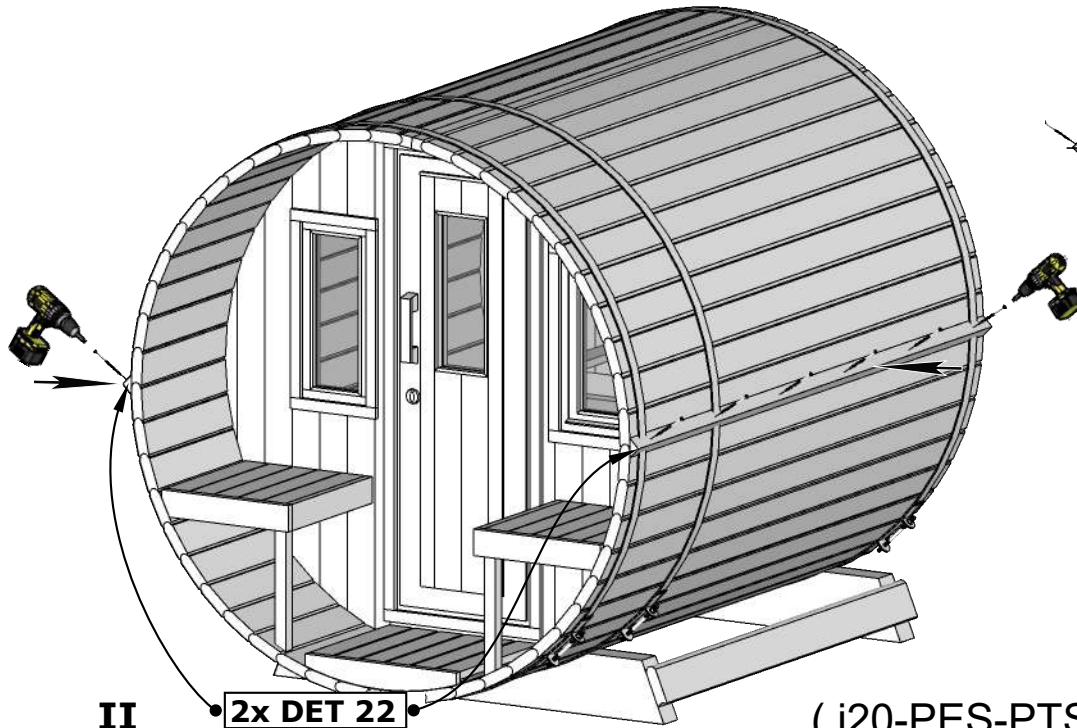
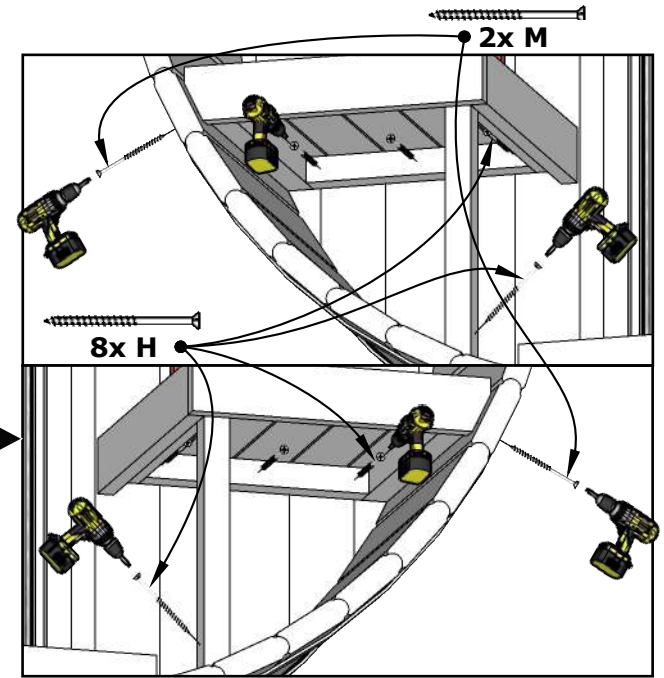
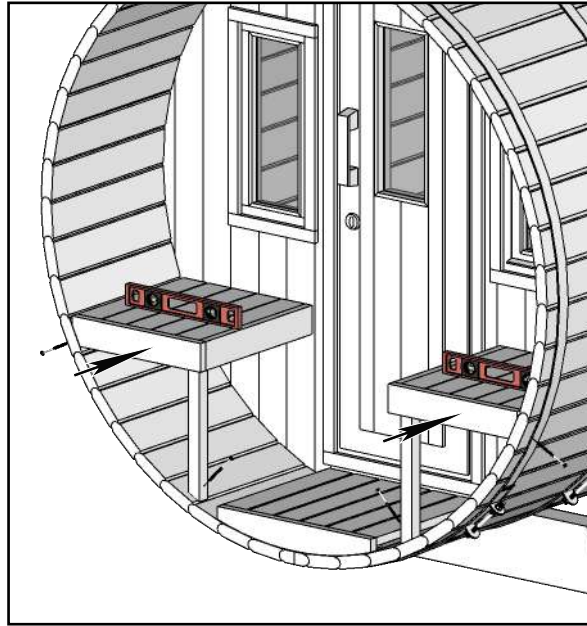
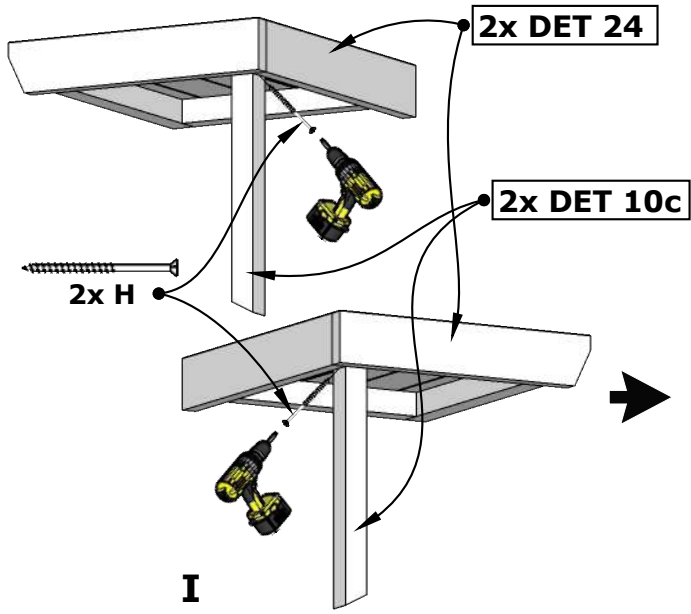
**I**

NB! Door design can be different!





# Sauna 280, Ø200



12.

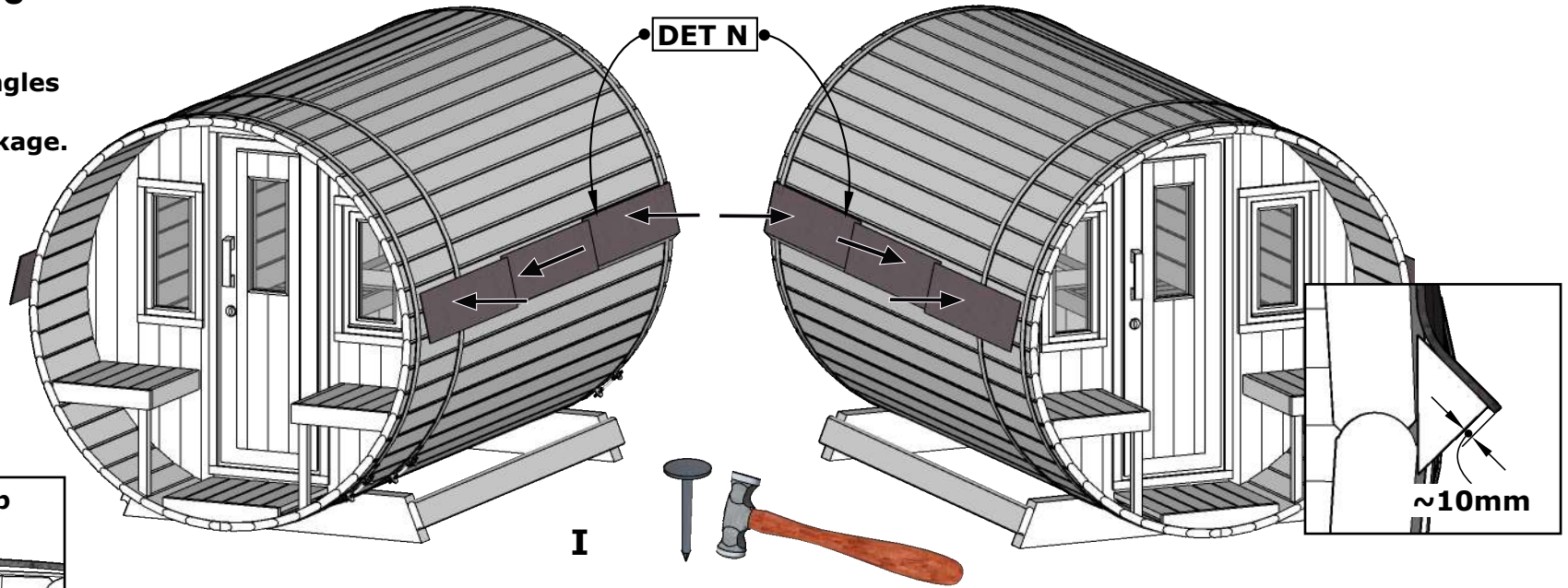
II

2x DET 22

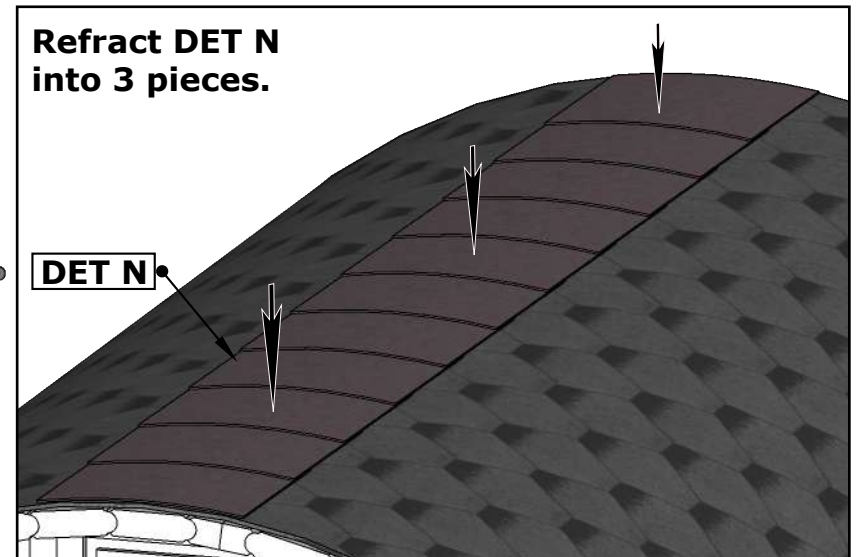
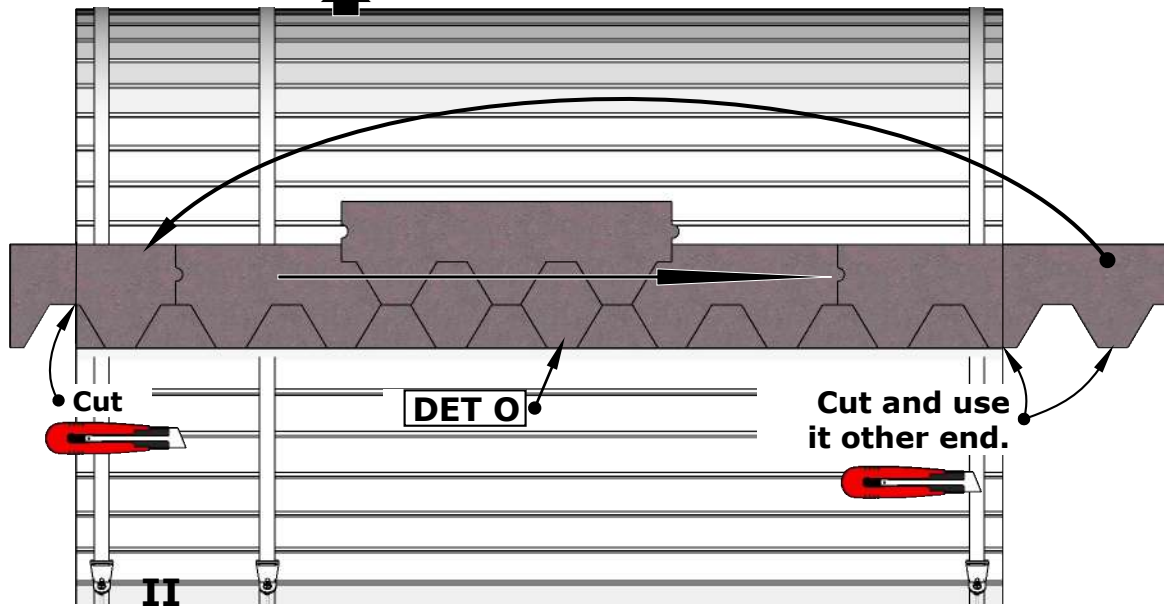
( i20-PES-PTS-008 )

# Sauna 280, Ø200

**NB! Check also shingles installation manual inside shingles package.**



**Check also roof shingles installation manual inside package.**



Sauna 280, Ø200

