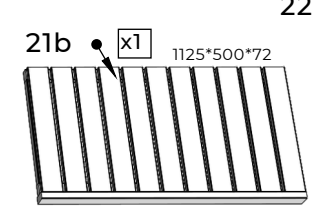
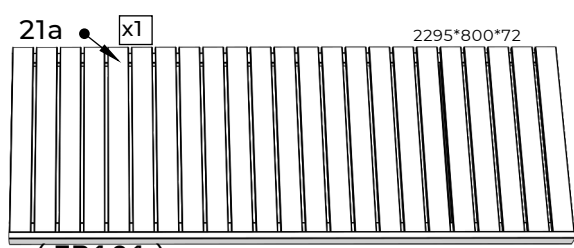
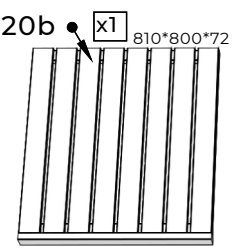
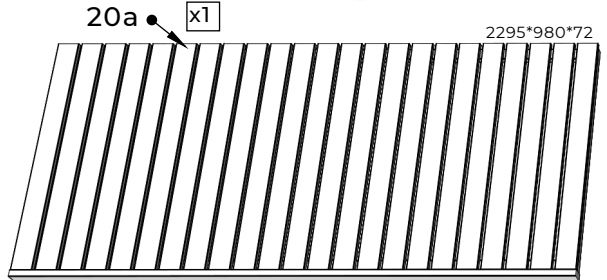
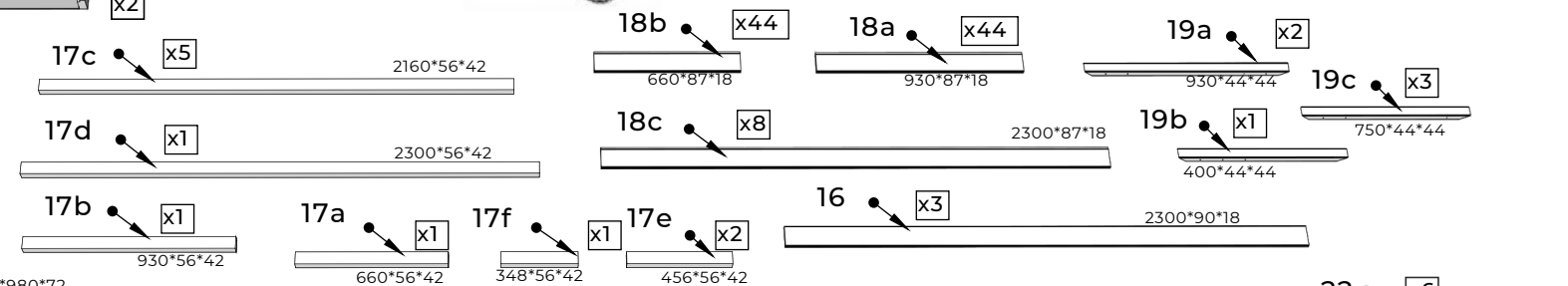
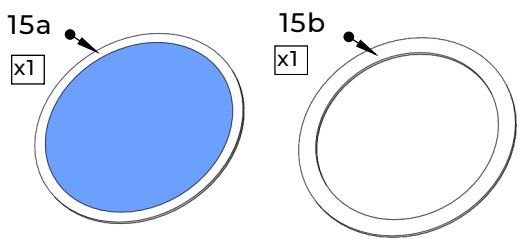
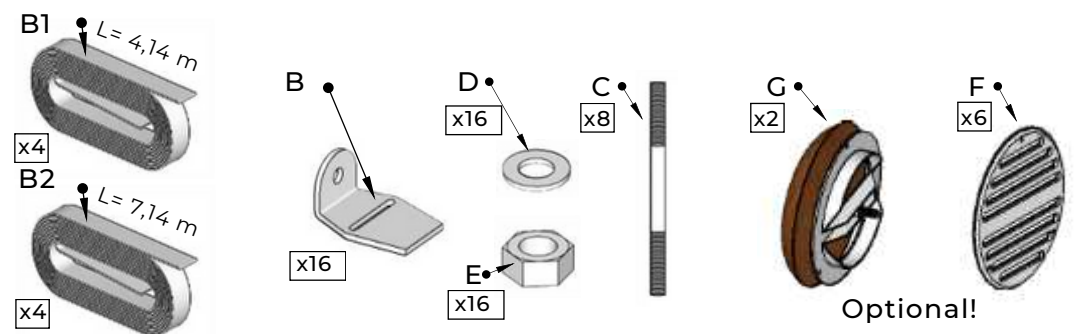
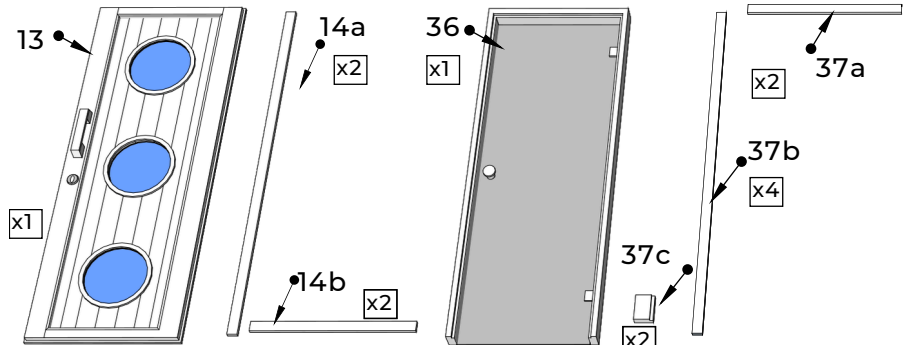
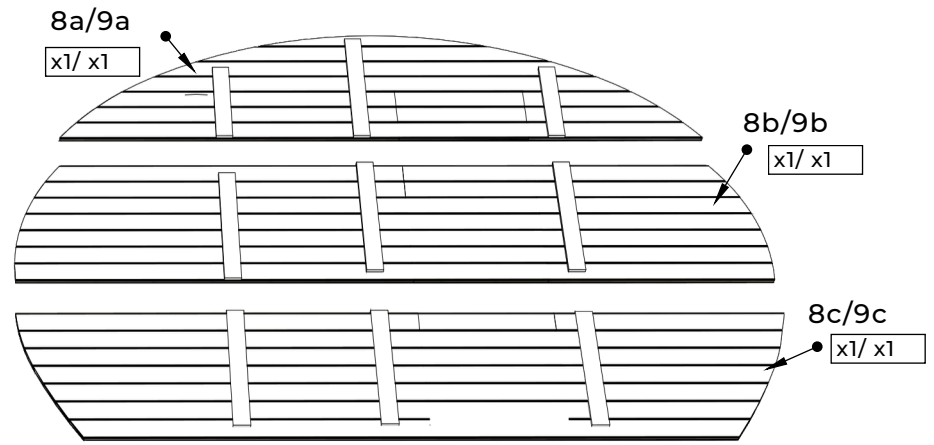
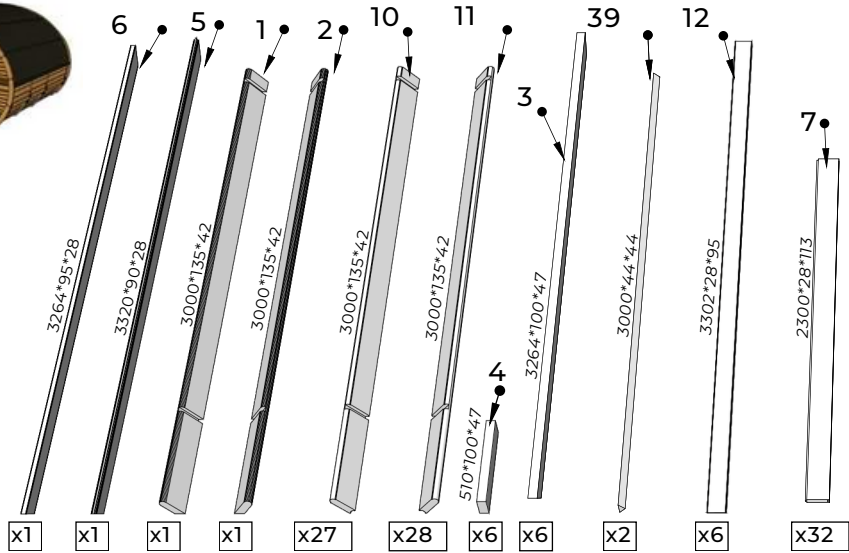
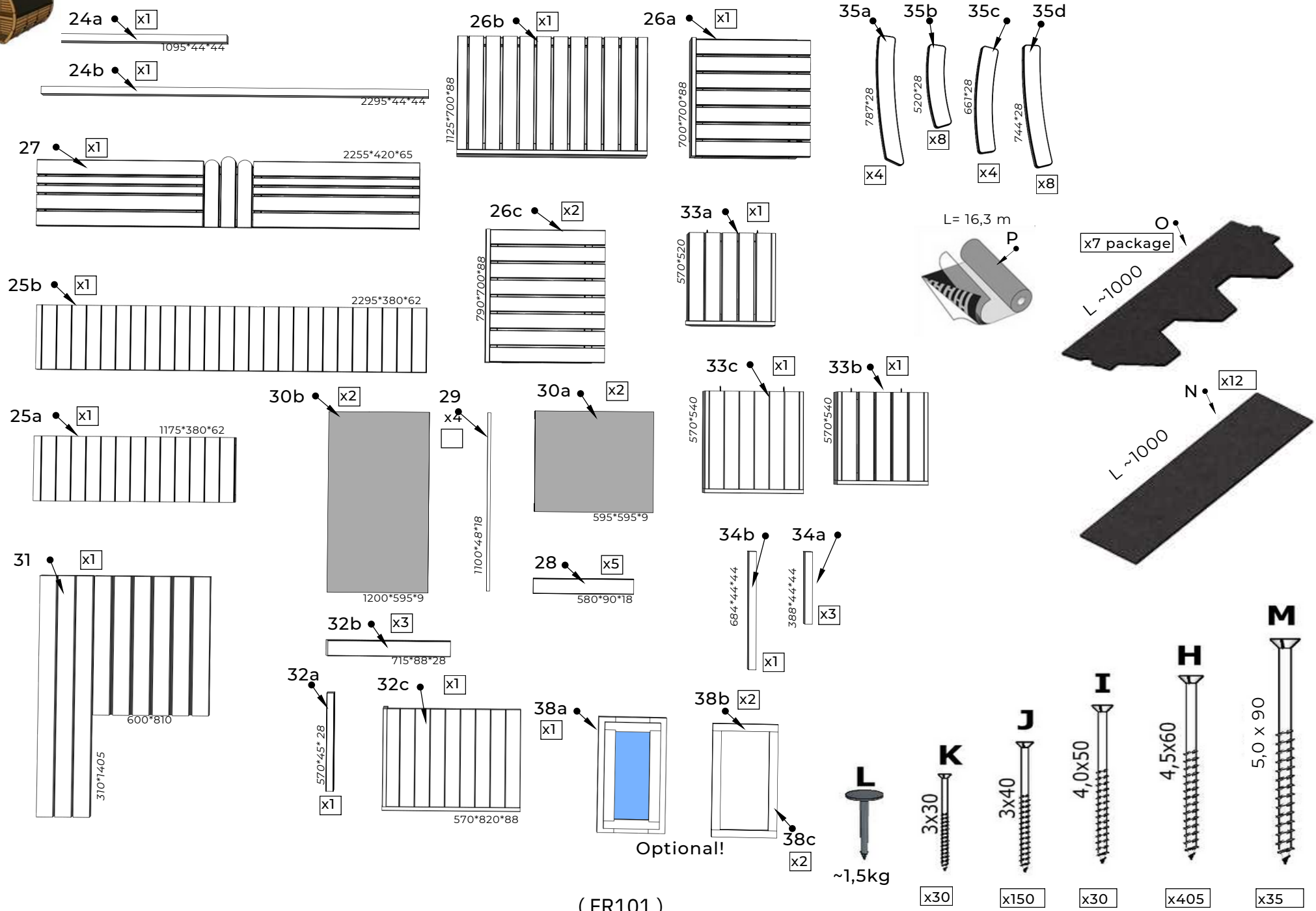


Details list nr.1



(FR101)

Details list nr.2

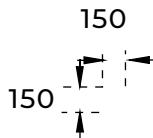


(FR101)



3120

1127



1150

2787

510

1560

1560

10 x M



1x DET 1

6x DET 3

1x DET 6

5x DET 4

1x DET 5

1x DET 2

44 x H

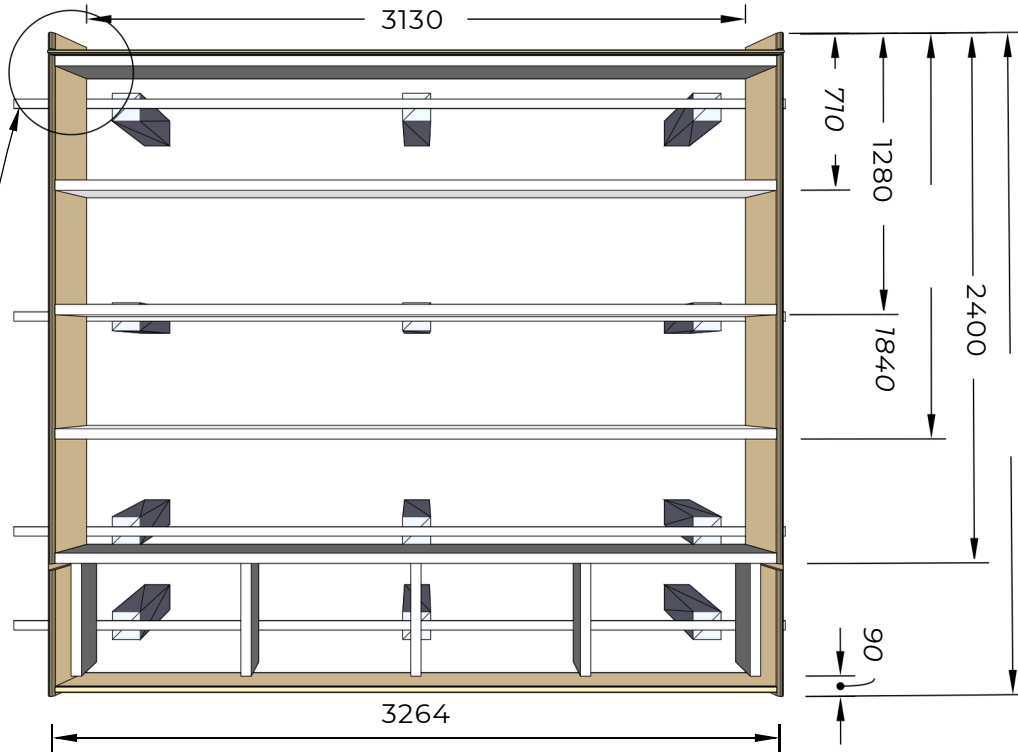


4x DET B1

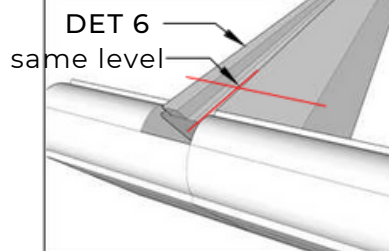
Important!  
Place the DET B1  
on the foundation  
in the right place  
before assembling the sauna!  
(FR101)

Back

3130



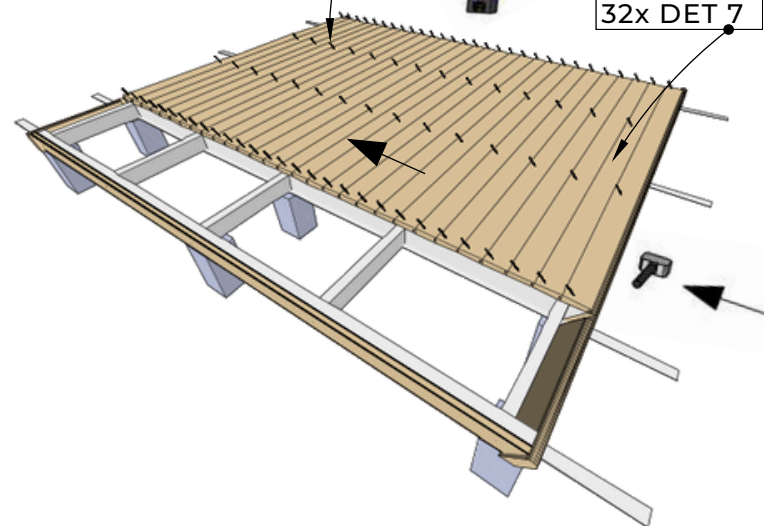
Front



96 x H

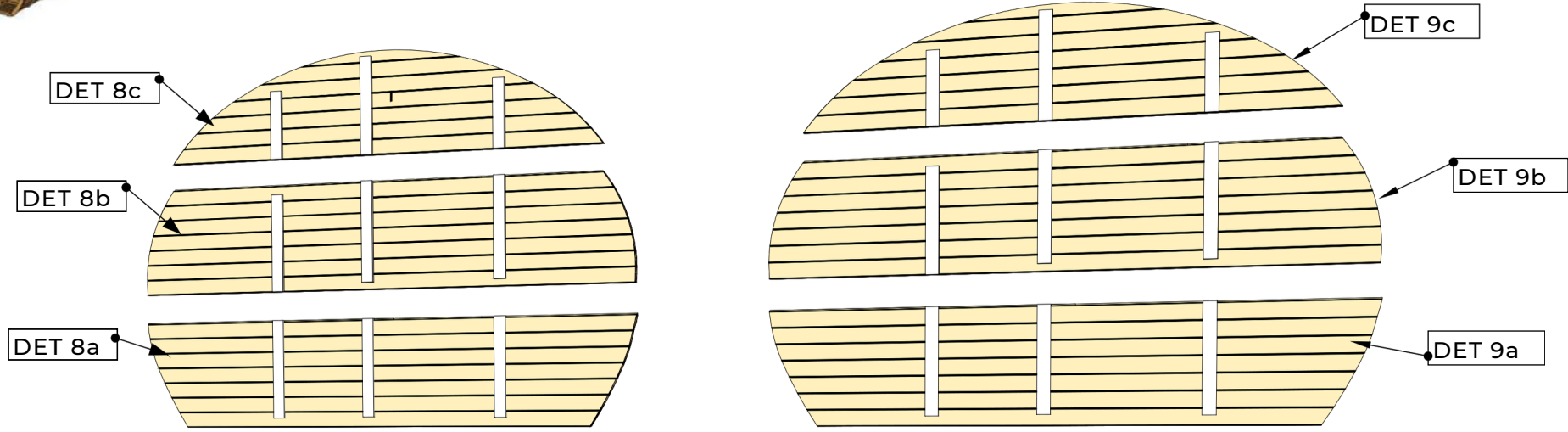


32x DET 7

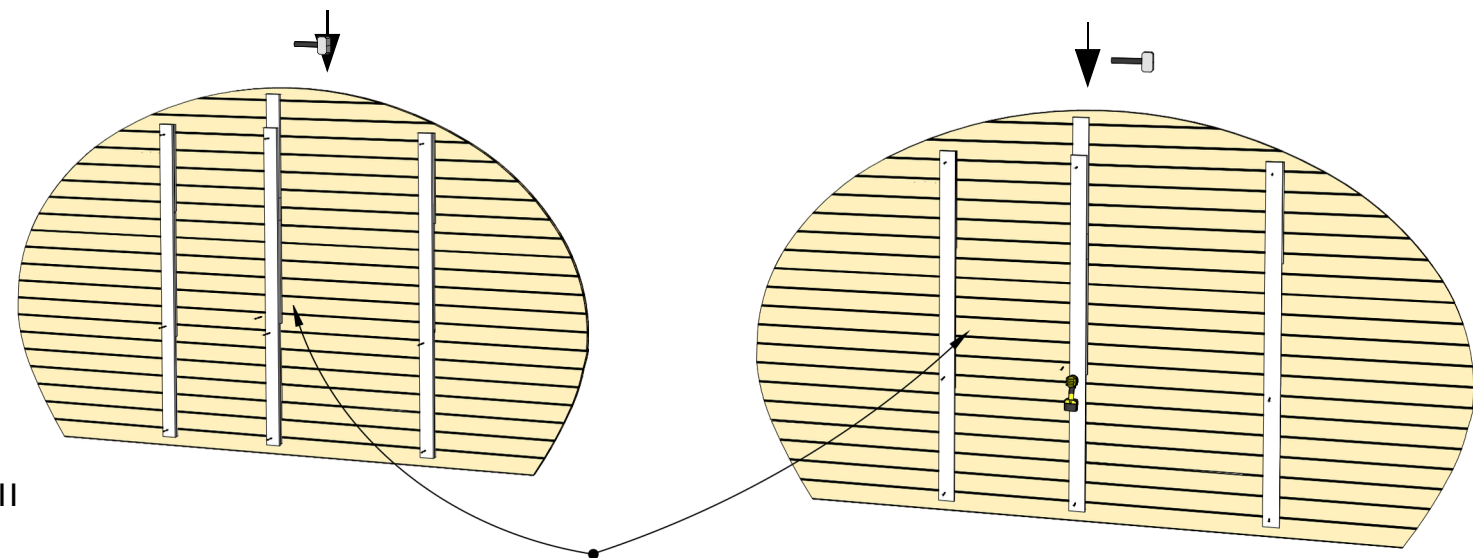


1.





I



II



12 x 1

NB! Cut a few boards from the base to temporarily support and secure the walls!!

2.

(FR101)



Wall and floor midpoint

mm=mm

NB! Cut some boards from pallet, to support and fix walls if necessary!

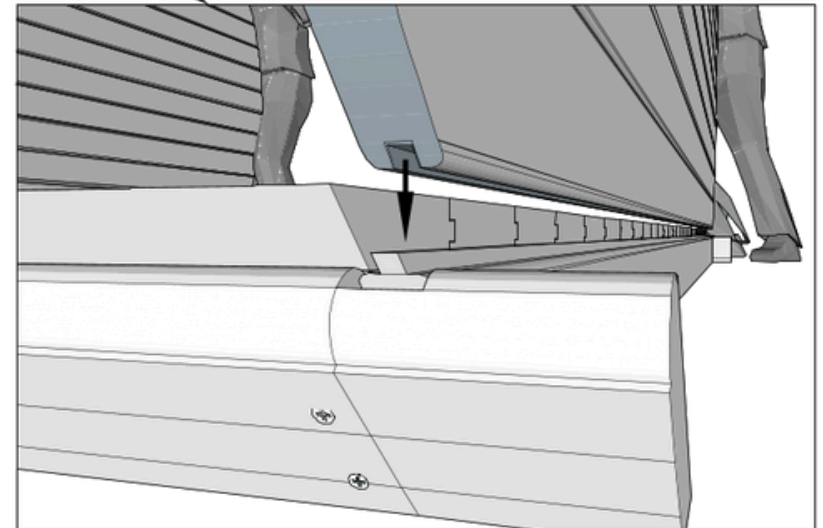
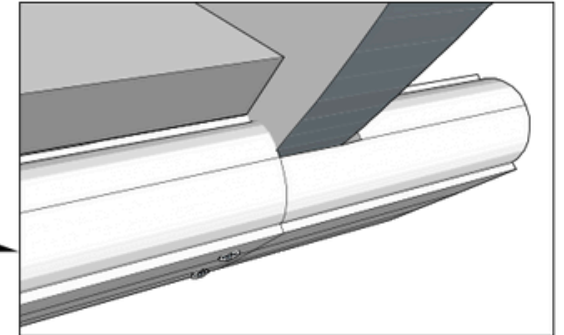
DET 9a/9b/9C

DET 8a/8b/8C

Use DET 10/ DET 11 temporarily if necessary

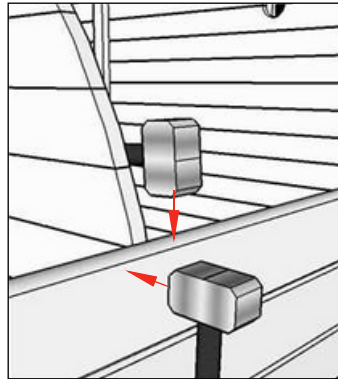


4 x H



3.

(FR101)



6x DET 10

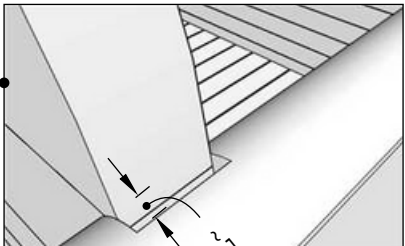
I

Remove



12 x H

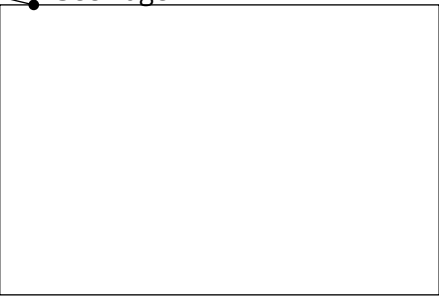
6x DET 11



~7mm

NB! Don't leave space, if using thermal wood!!!

See Page 4A

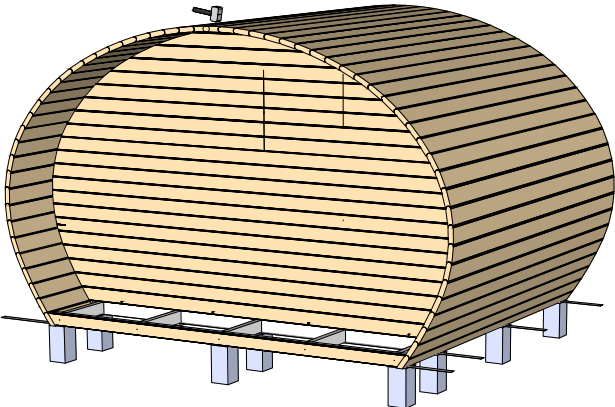
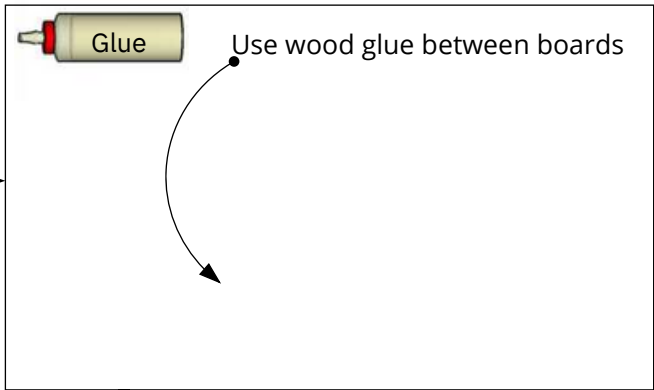
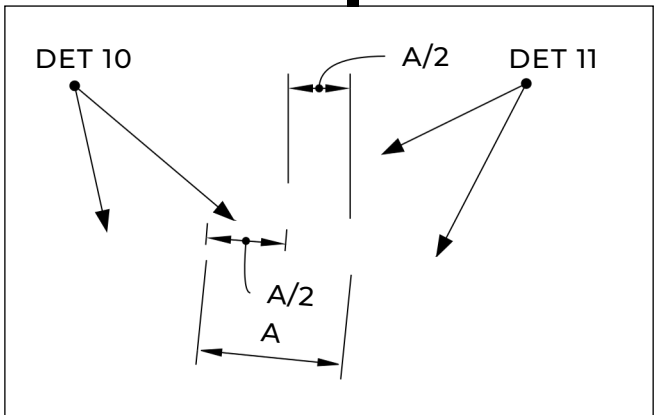
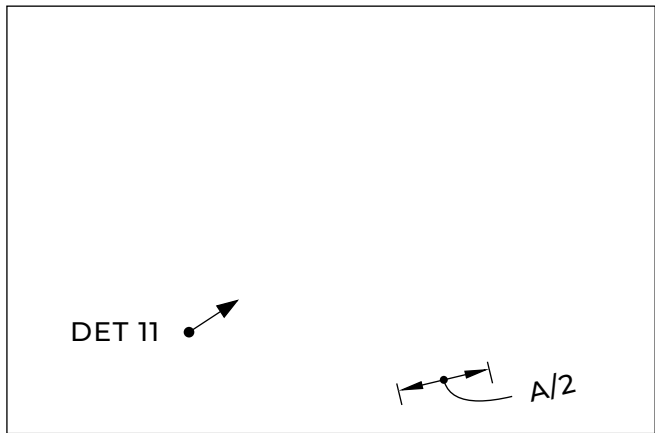
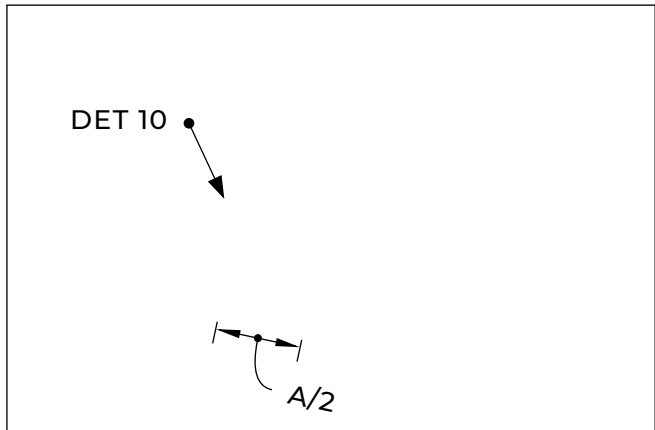


40 x H

21x DET 10

II

20x DET 11



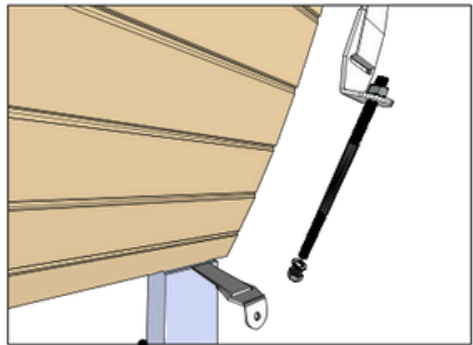
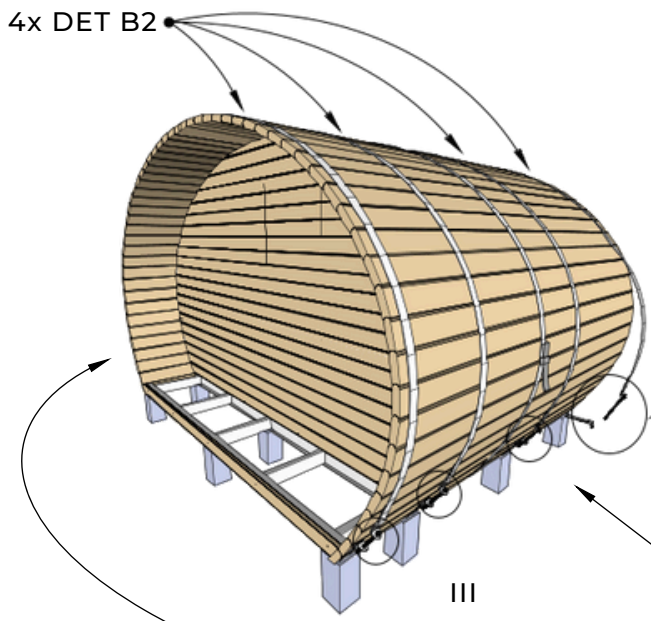
4A.

(FR101)

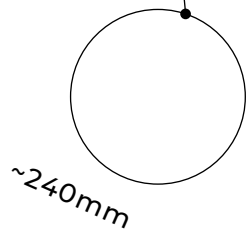
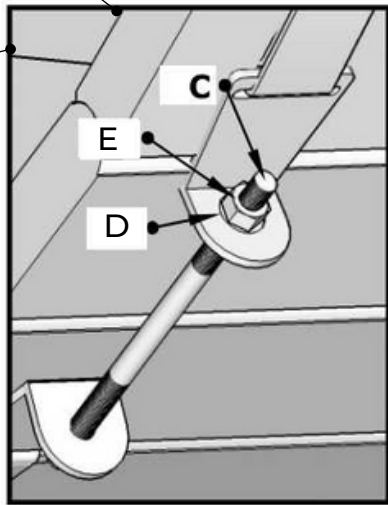
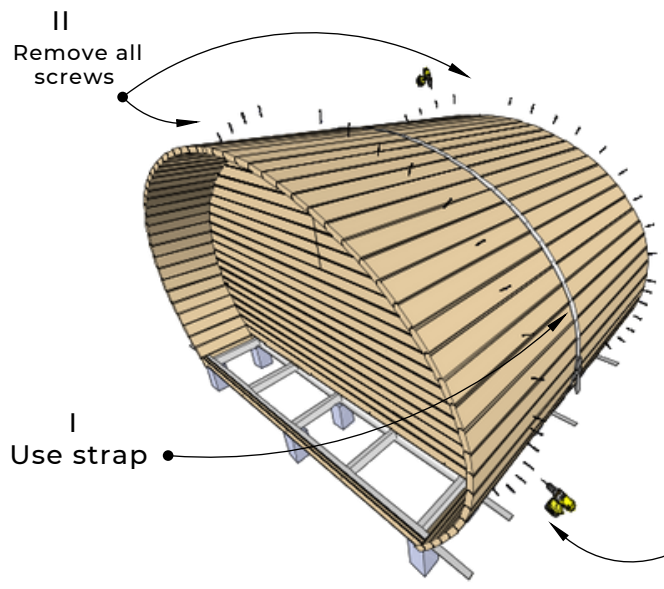




8x DET C  
16x DET D  
16x DET E



DET B2/DET B1



Remove all screws and use them on further sauna installation



During assembly and retightening the threaded rods, use oil (Würth HPS 1400 or similar) to avoid "cold welding" and it is also easier tightening.

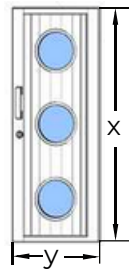
5.

(FR101)



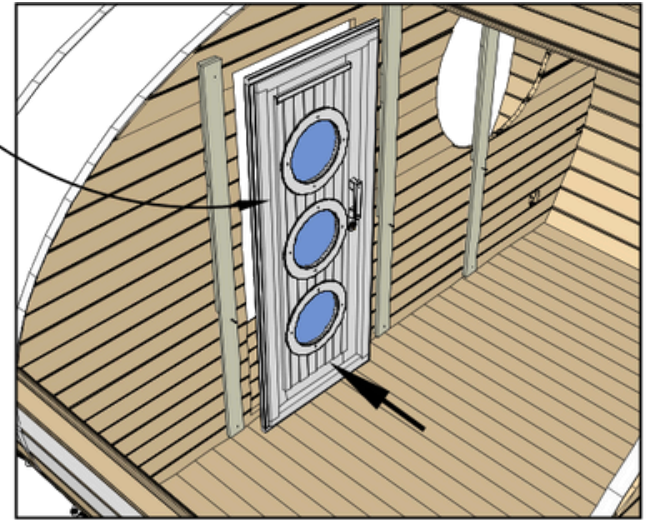
Use waterlevel for installation.  
Place door from inside.

Measure the door and add 10 mm to each side!  
Mark openings and cut out.

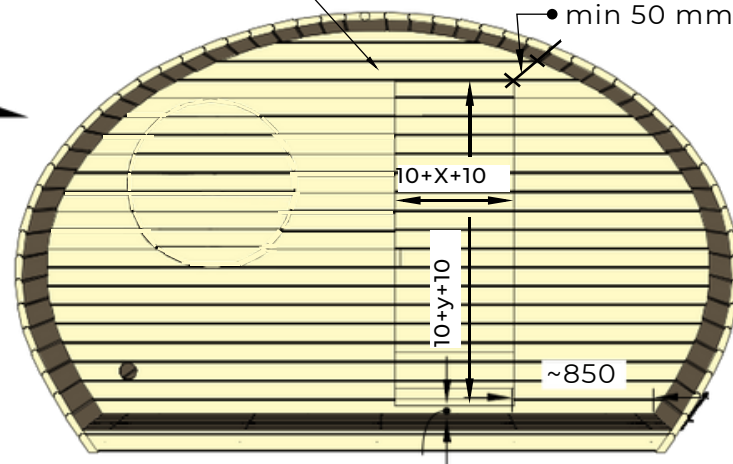


Place doors from inside.

DET 13



IV



III

50  
min.50 from floor!

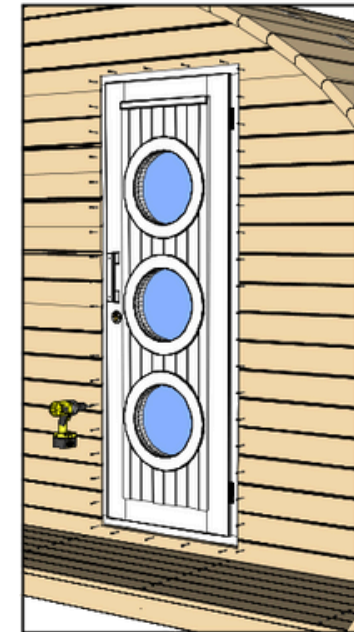
18 x J



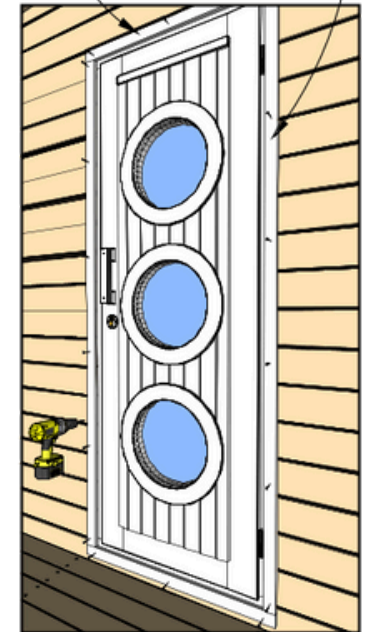
2x DET 14b

2x DET 14a

NB! Vertically fix screw in every board.



V



VI

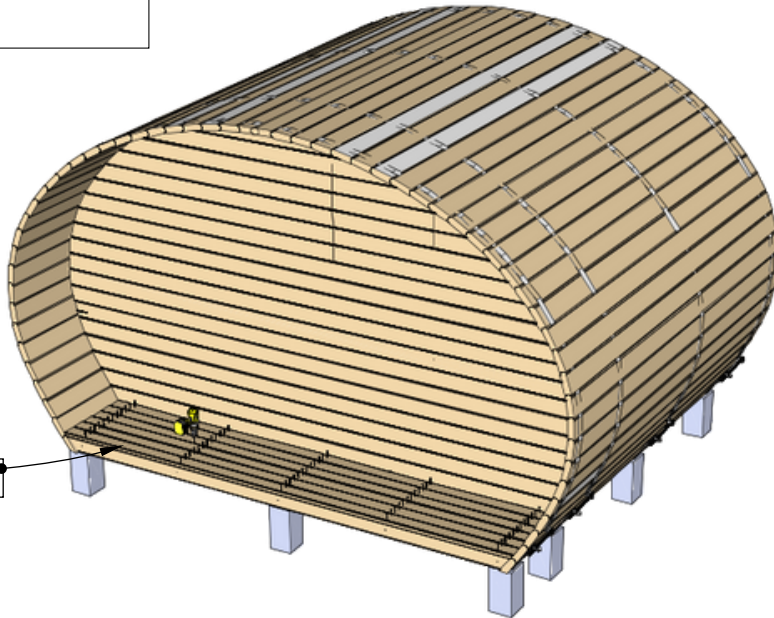
42 x J



28 x H



6x DET 12



I

6.

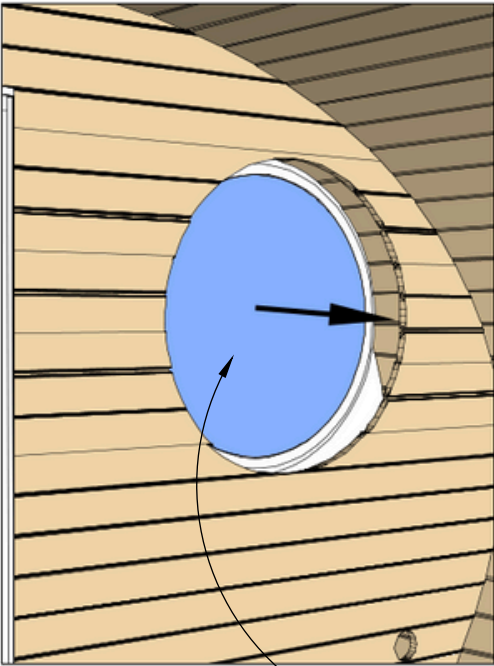
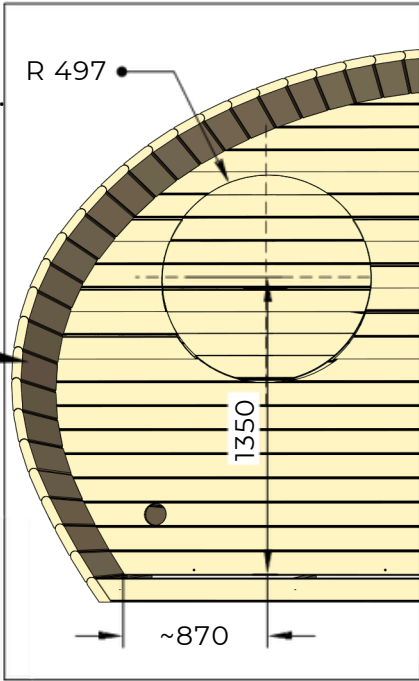
(FR101)



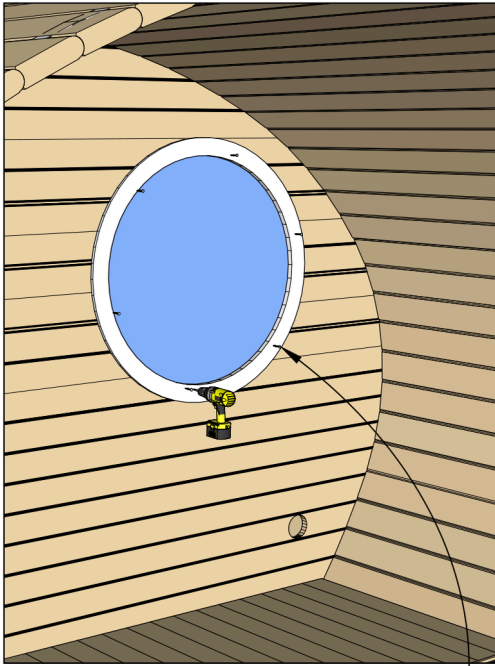


Use waterlevel for installation.  
Place window from outside.

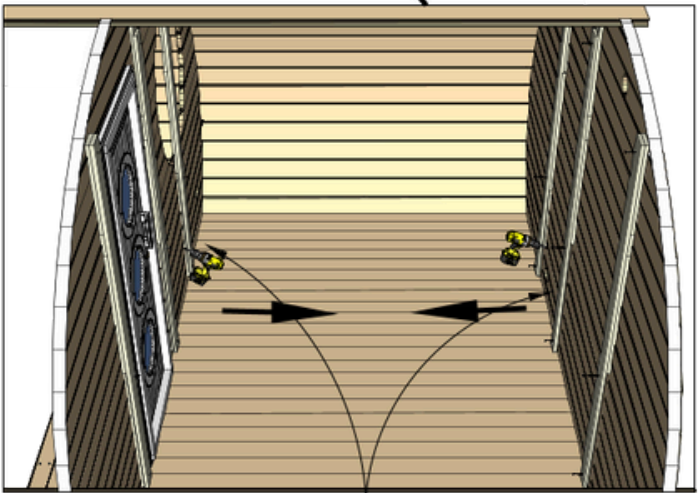
Measure the window and  
add 10 mm around!  
Mark openings and cut out.



III 1x DET 15a



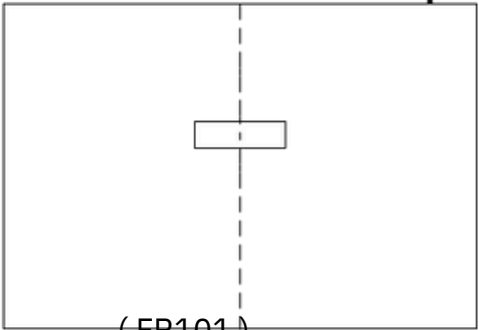
IV 1x DET 15b



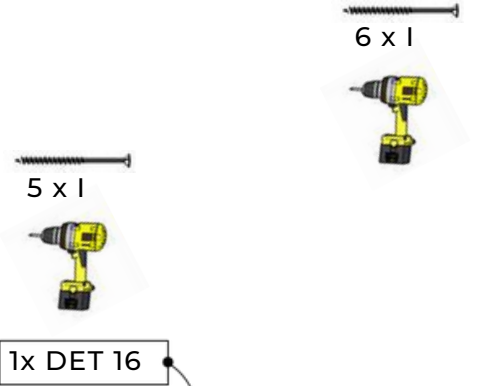
I Remove all brackets



Sauna midpoint



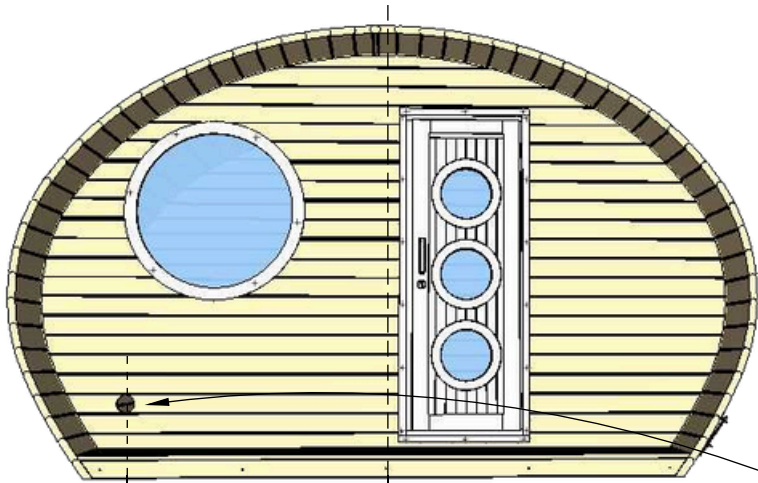
V (FR101)



1x DET 16



7.



2 x DET F

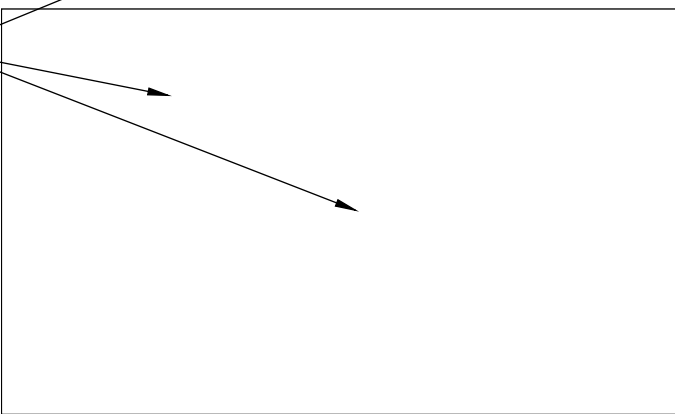
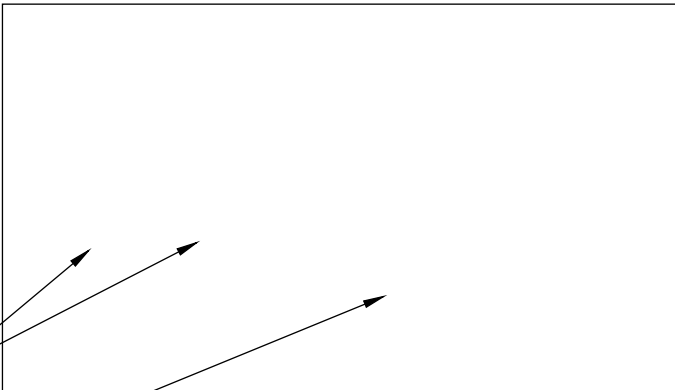
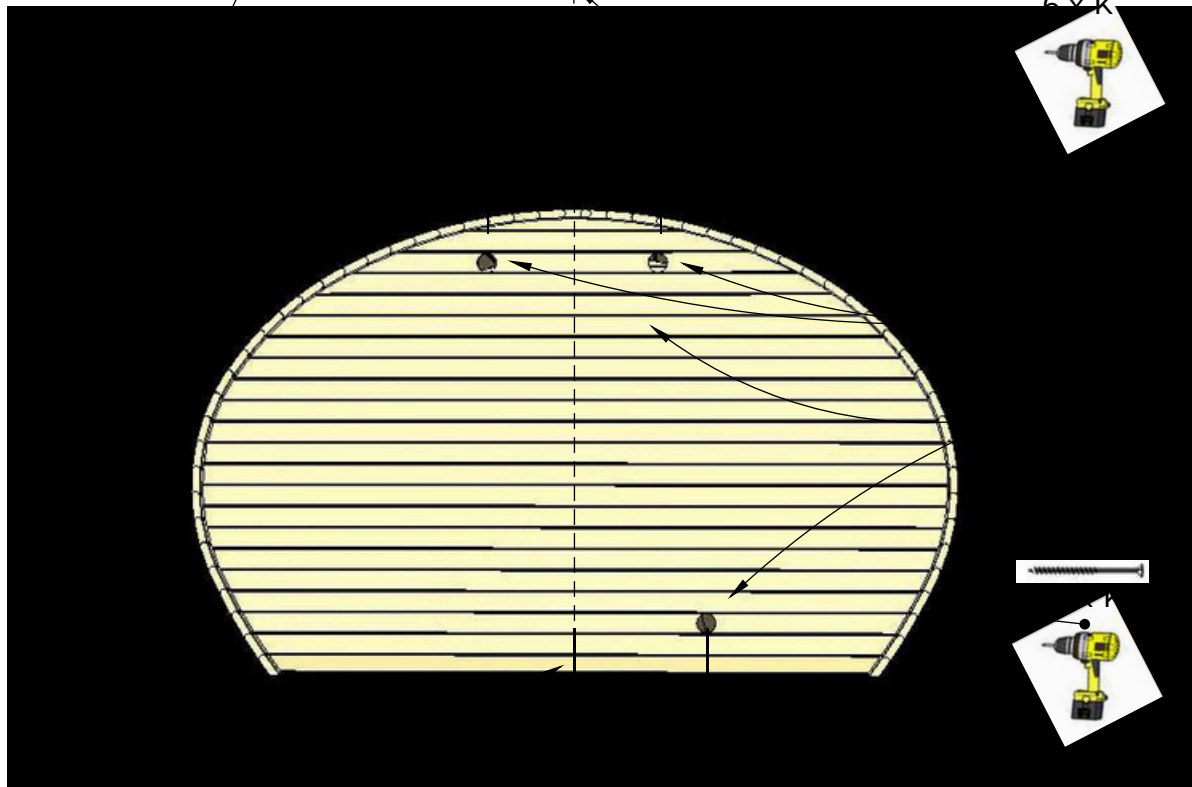


6 x K



II

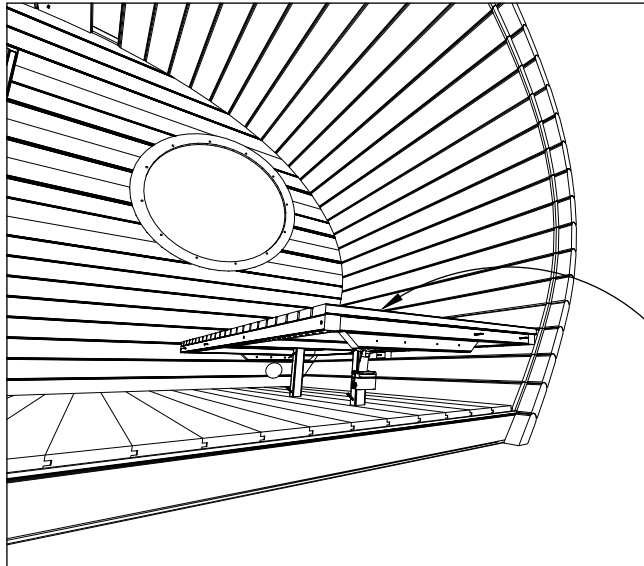
1570



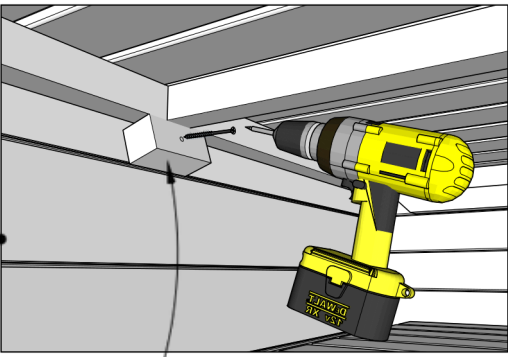
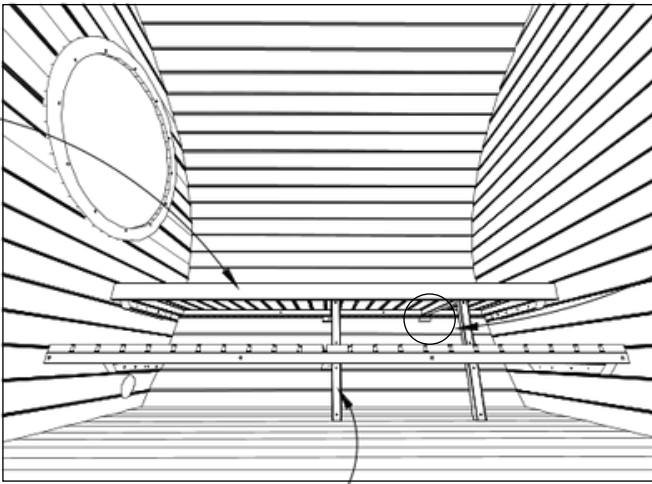




DET 21a



III



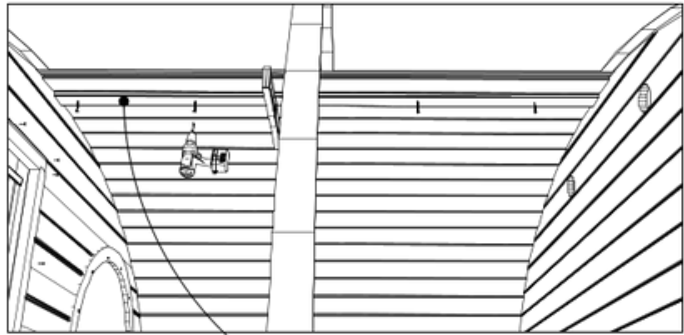
4xDET 22

12 x H



DET 20a

4xDET 23

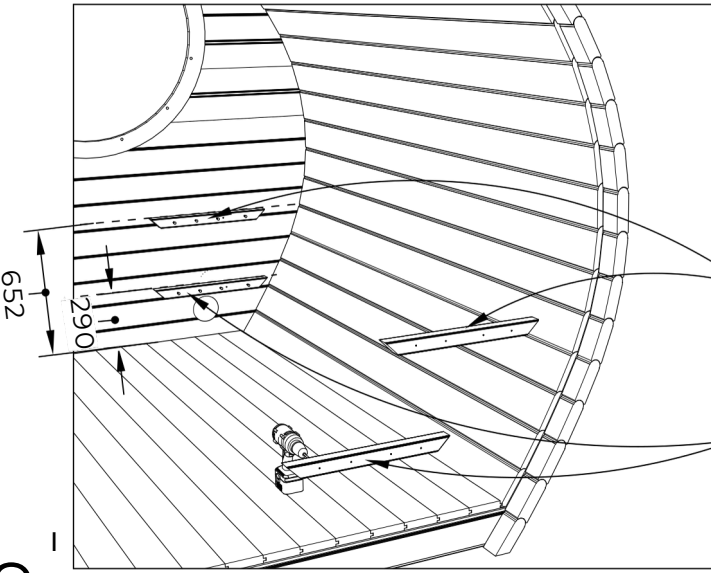


IV

30 x H



II



16 x H



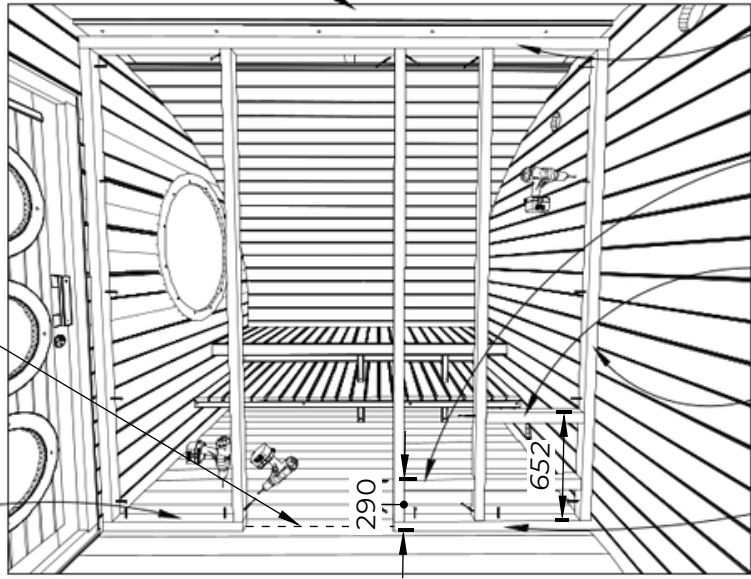
2 x DET 19c

2 x DET 19a

sauna midpoint

DET 17a

I V (FR101)



1 x DET 17d

IV

1 x DET 17f

V

2 x DET 17e

IV

5 x DET 17c

III

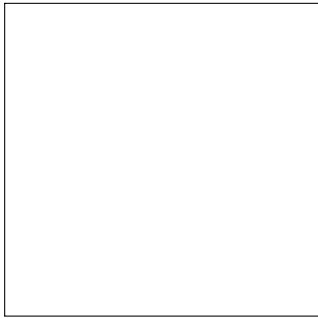
DET 17b

II

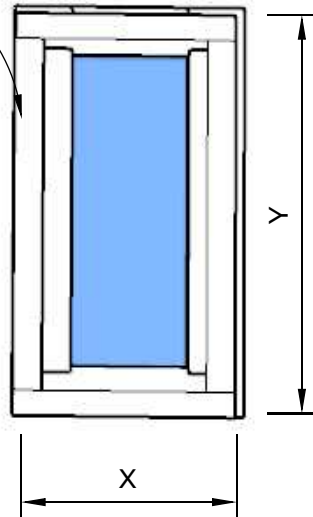
9.



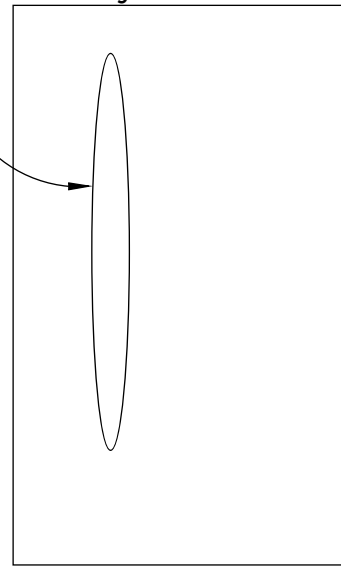
Measure the window and add 10 mm to each side! Mark openings and cut out.



DET 38a



NB! Vertically fix screws in every board.



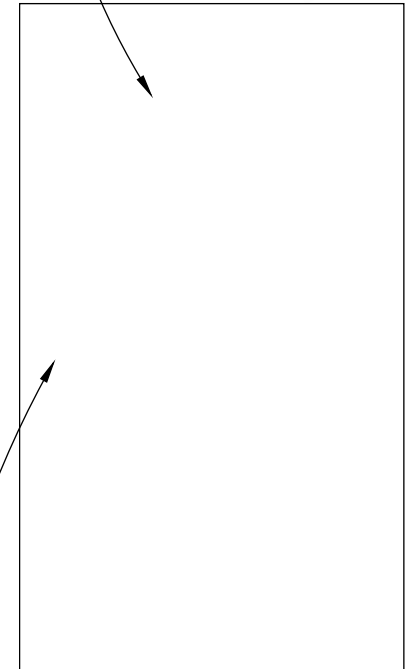
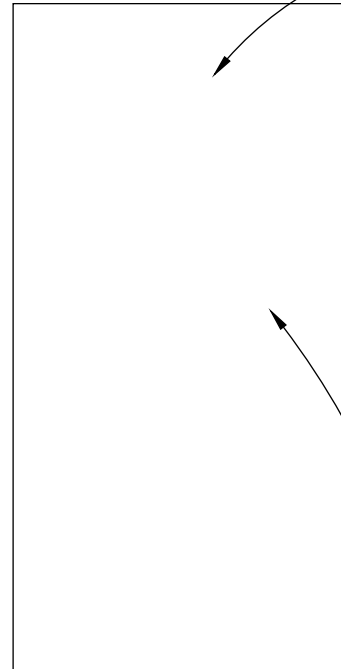
20 x J



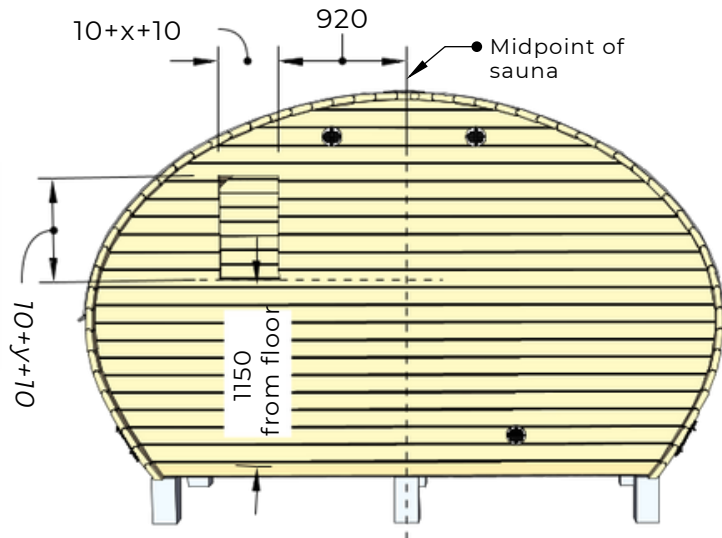
20 x J



2xDET 38b



2xDET 38c



10.

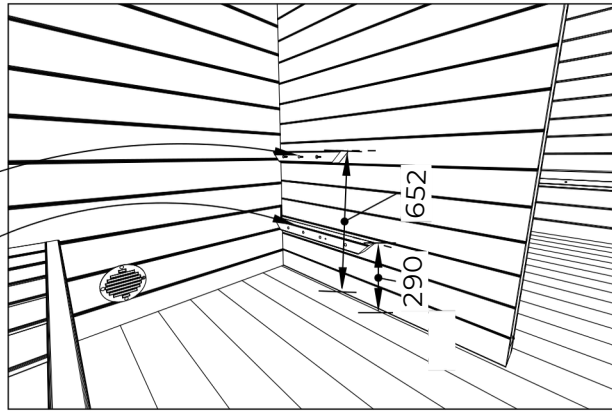
(FR101)



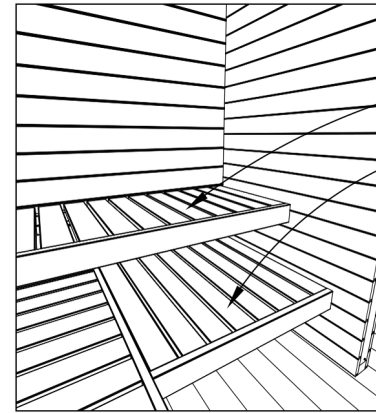
1 x DET 19b

1 x DET 19c

8 x H



III



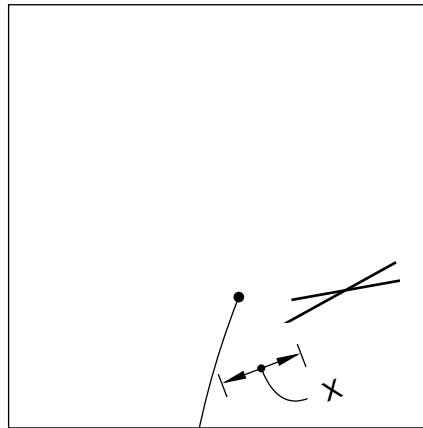
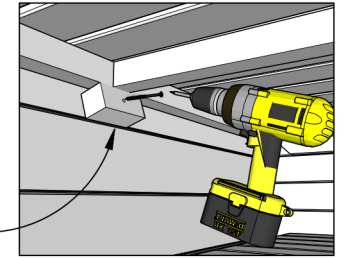
IV

DET 21b

DET 20b

2xDET 22

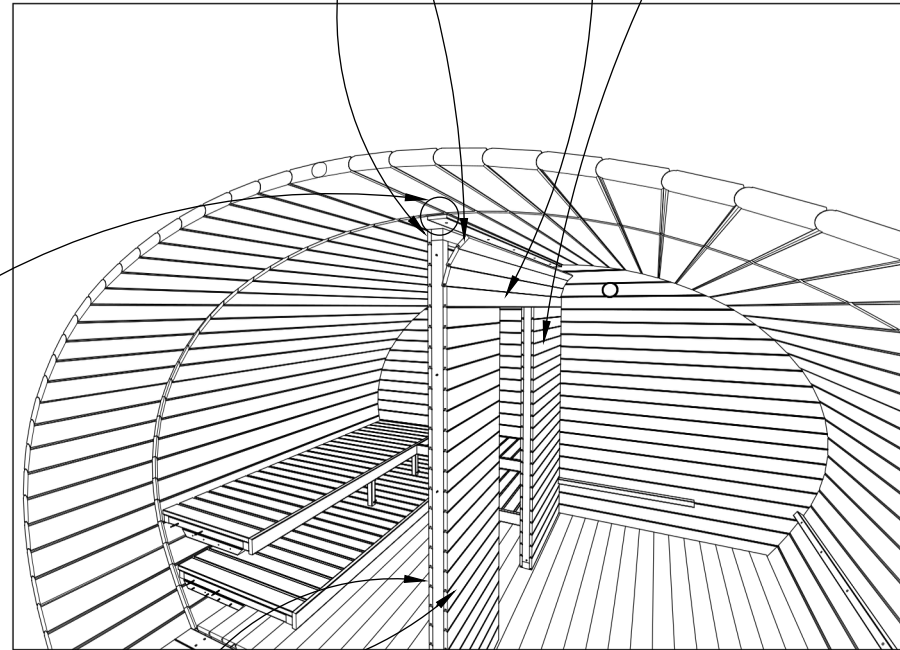
10 x H



2 x DET 18c - cut to size!

6 x DET 18c

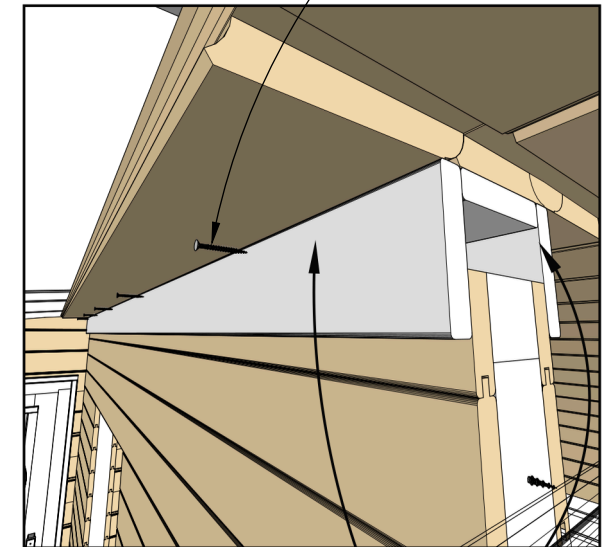
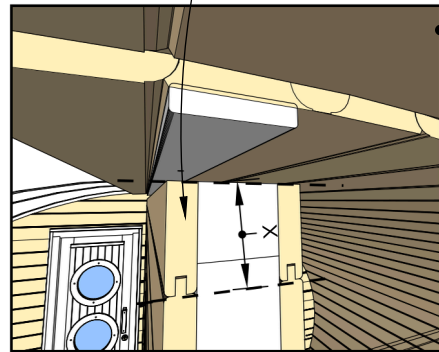
44 x DET 18b



44 x DET 18a

I

8 x H



II

2 x DET 16



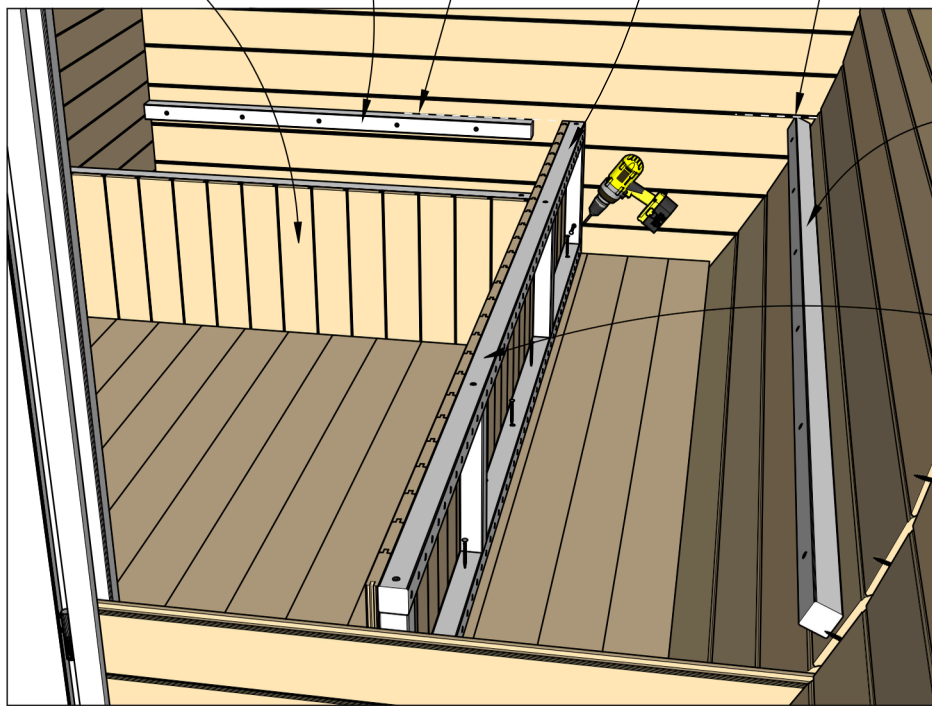
II

5 x H  
DET 24a

8 x H  
DET 25a

422

422



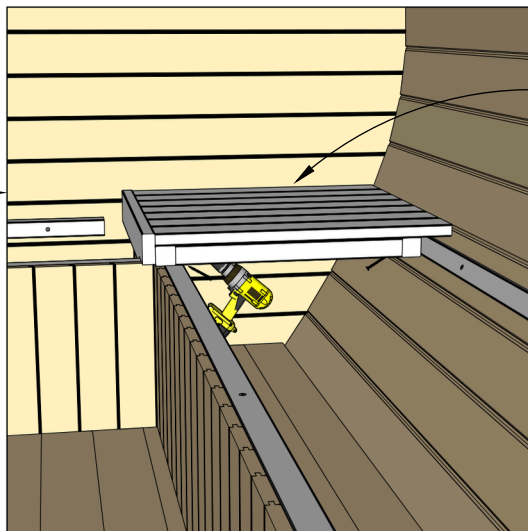
I

III

6 x H  
DET 24b

DET 25b

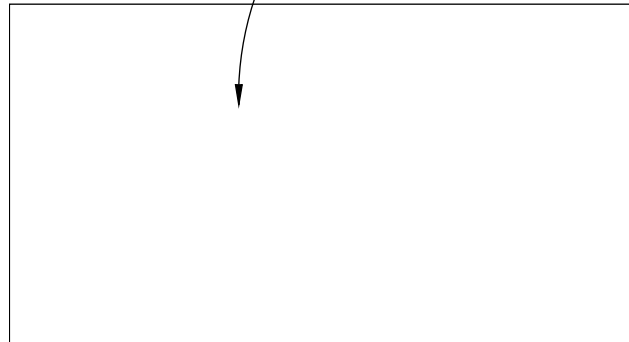
10 x H  

8 x H  
DET 26a



8 x H  
DET 27



DET 26b

2xDET 26c

IV





2xDET 30a

4 x J

2x DET 29

4 x J

595

DET 30b

7 x J

2x DET 29

4 x J

DET 30b

6 x J

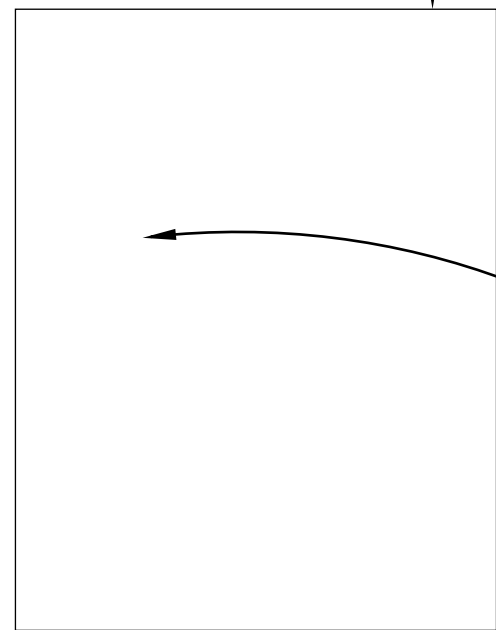
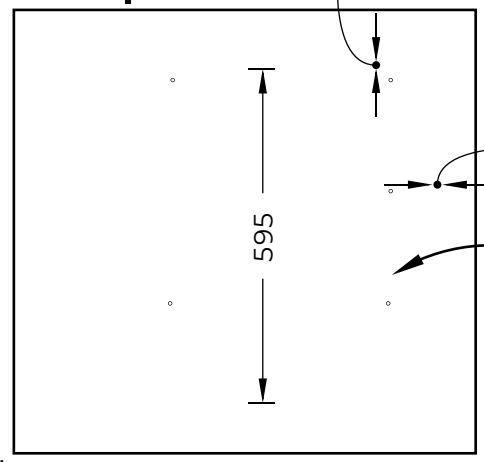
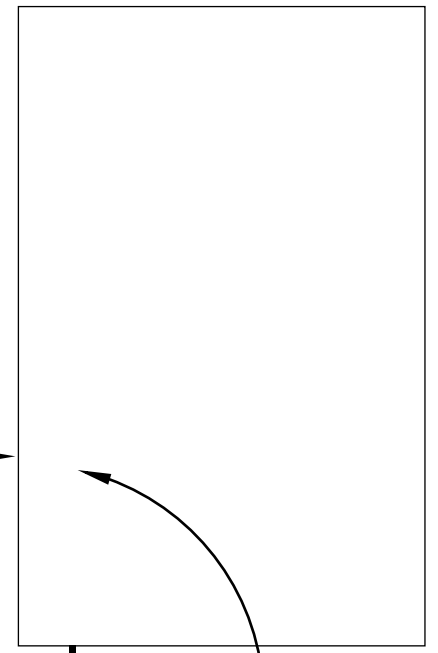
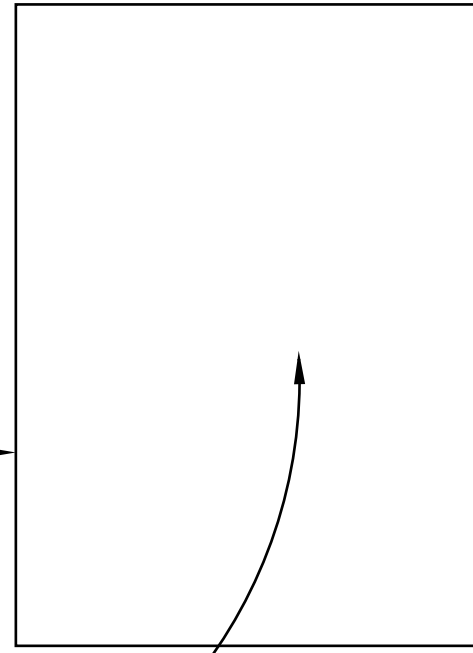
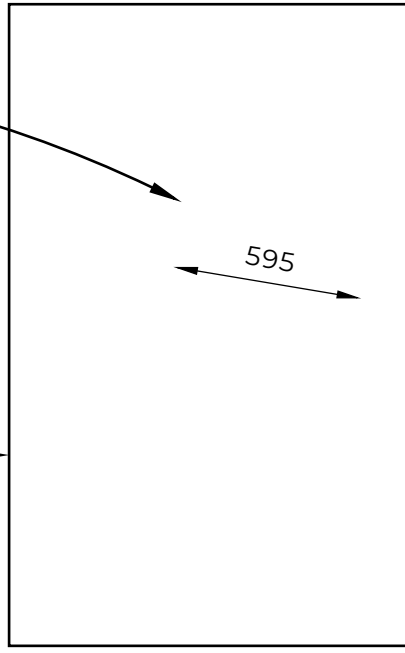
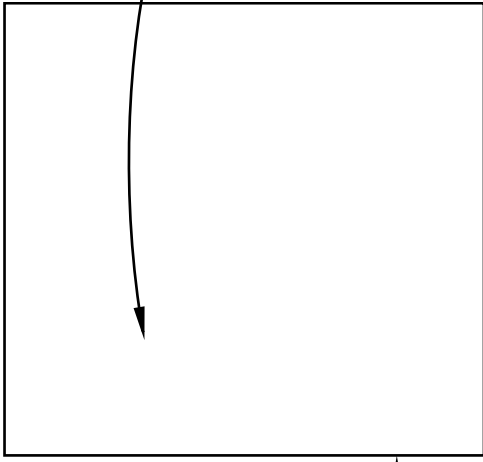
5x DET 28

10 x J

15 mm from wall

15 mm from wall

595

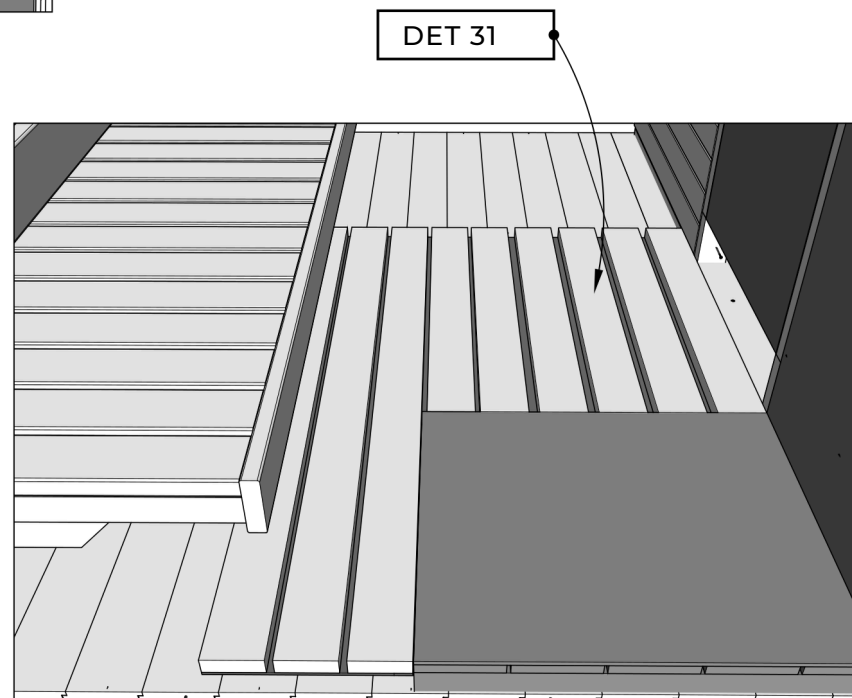
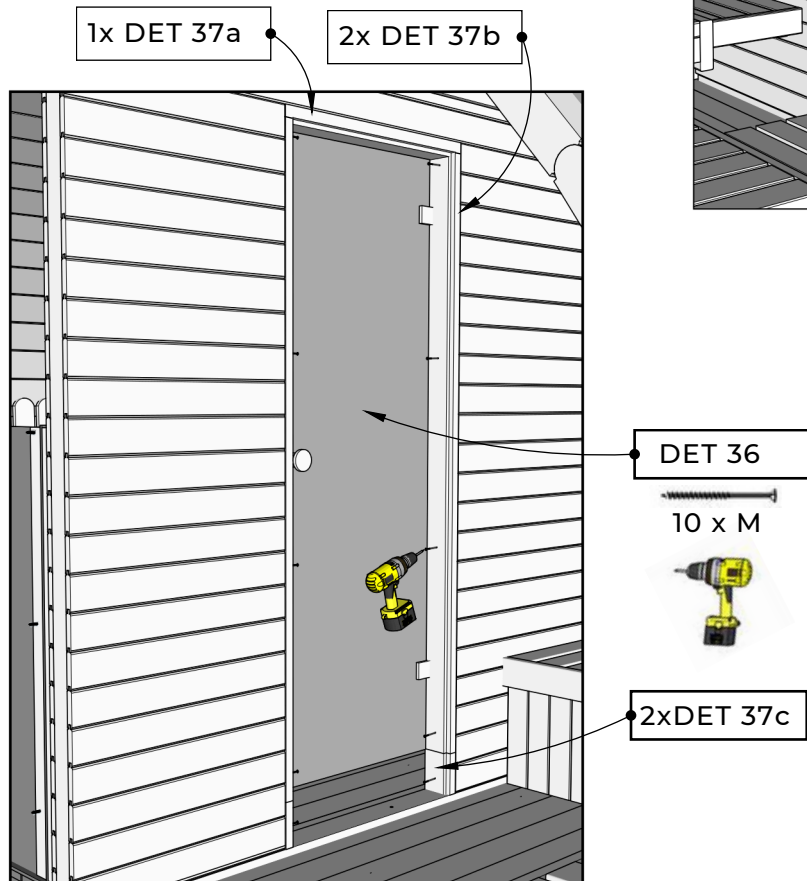
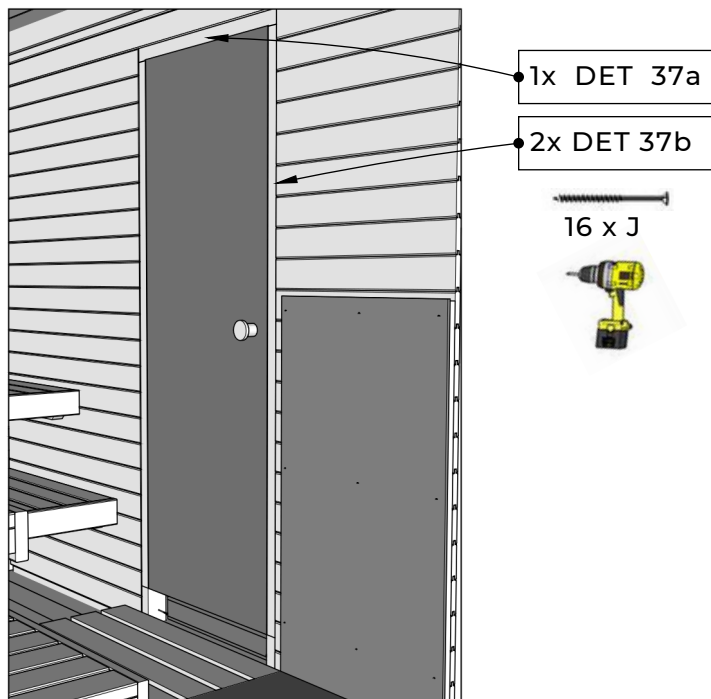


13.

(FR101)

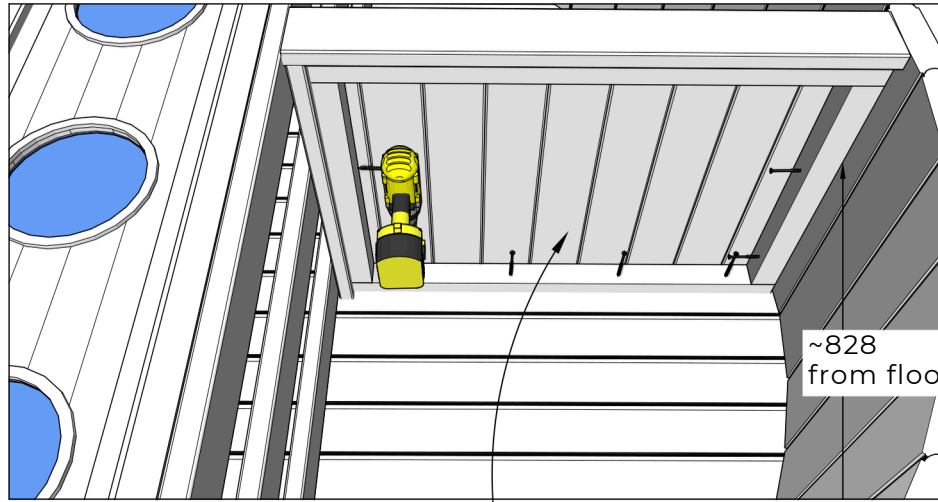


Use waterlevel



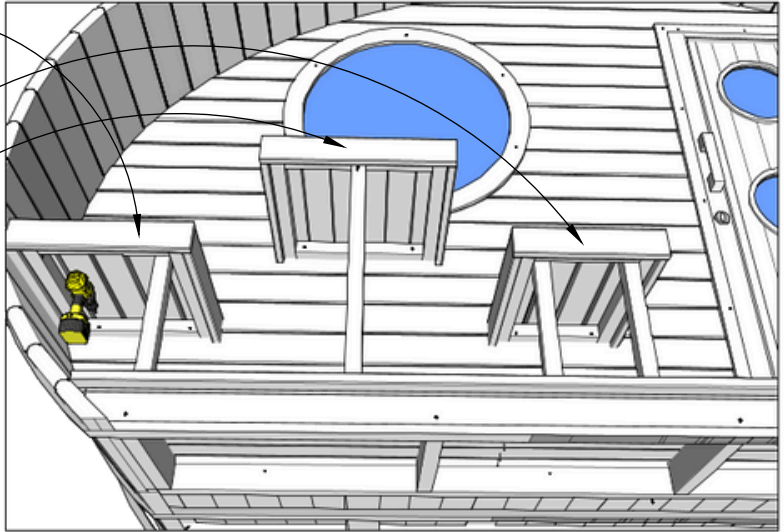
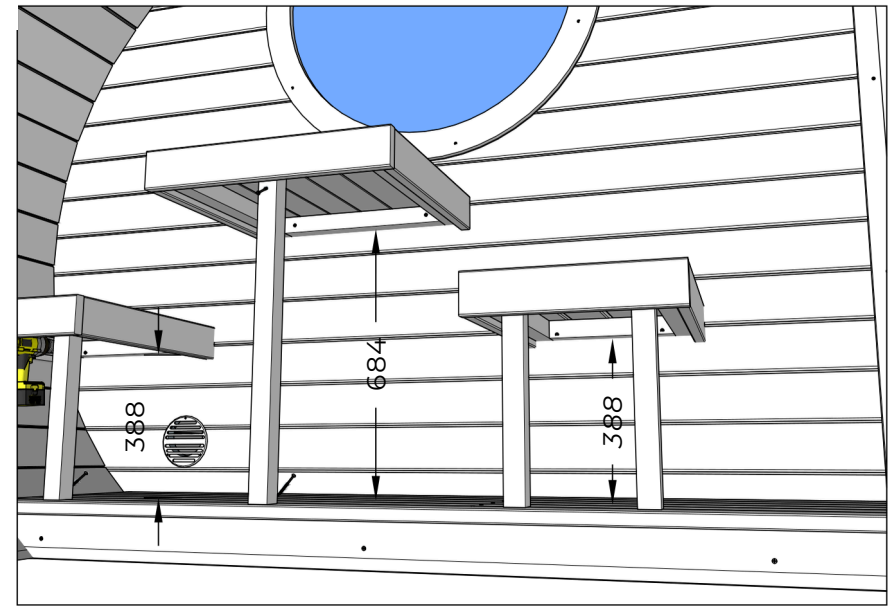


II

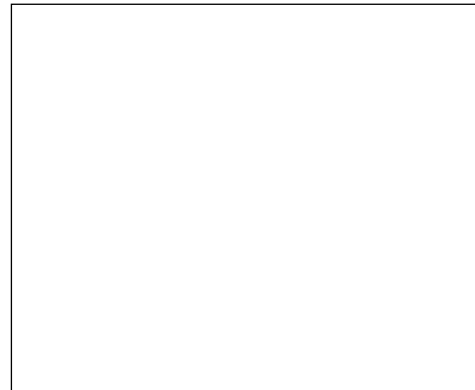


~828 from floor

III



IV



3x DET 32b

DET 32a

3 x H

~470

DET 32c

10 x H



8 x H

DET 33a

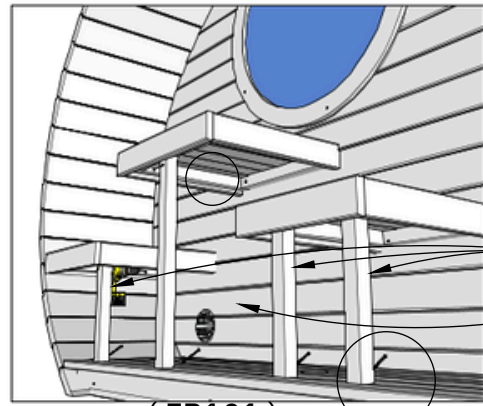
DET 33b

DET 33c

3x DET 34a

DET 34b

8 x H



(FR101)



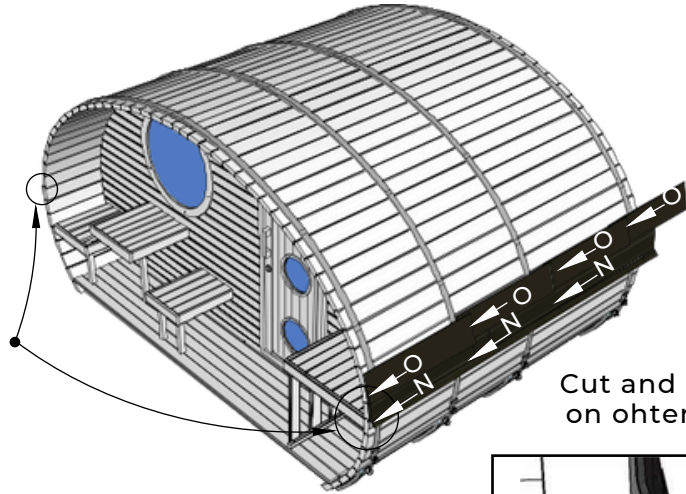
NB! Check also shingles installation manual inside shingles package.



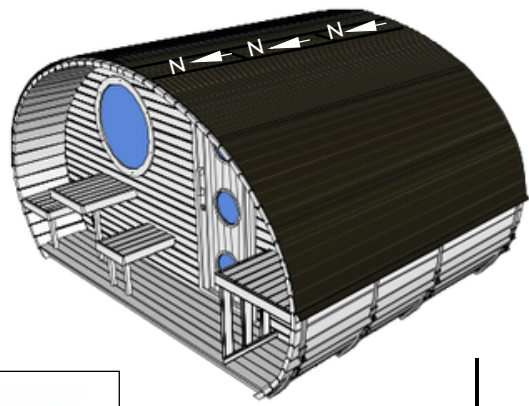
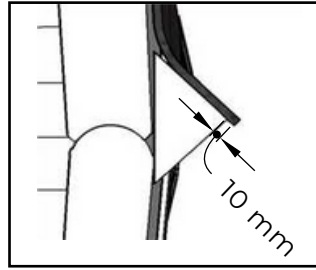
DET P

NB! Before roof shingles, install underlay felt. Check underlay felt installation manual on extra pages.

DET N  
DET  
O



Cut and use it on ohter side



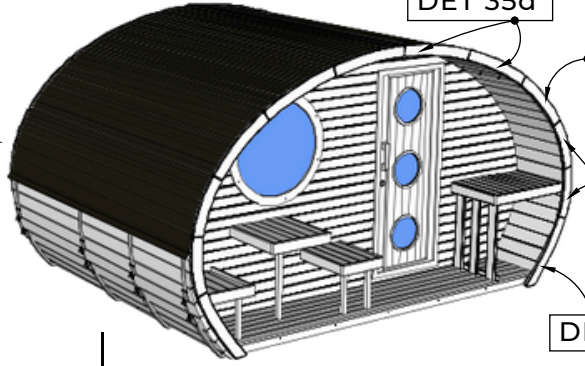
22 x H

DET 35d

DET 35c

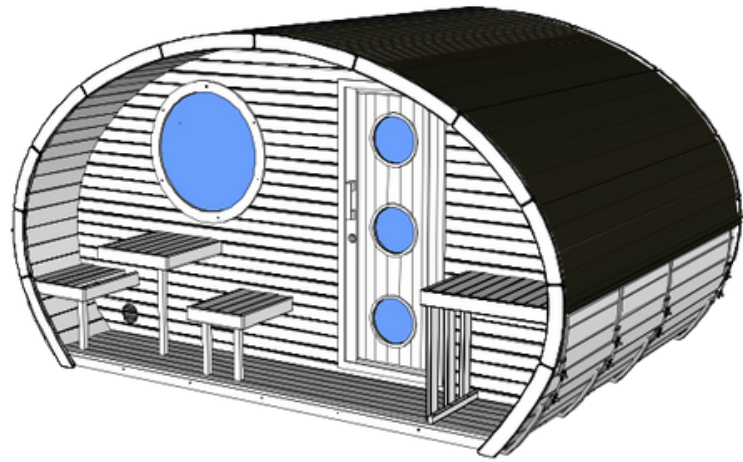
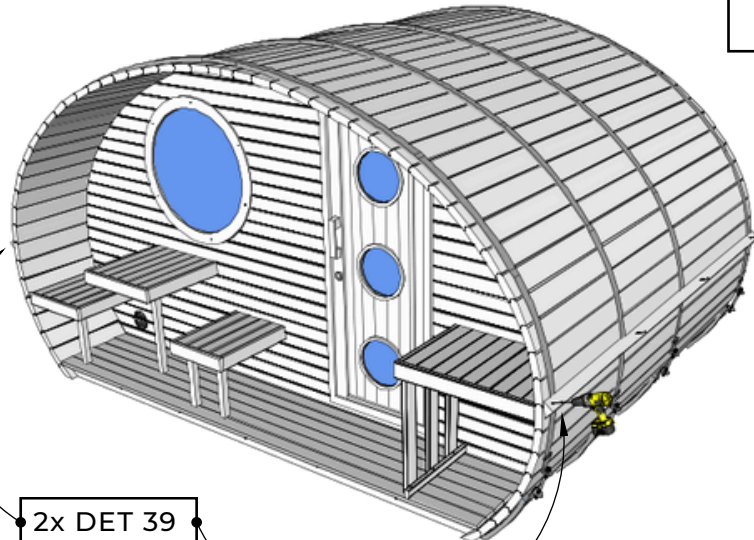
DET 35b

DET 35a



2x DET 39

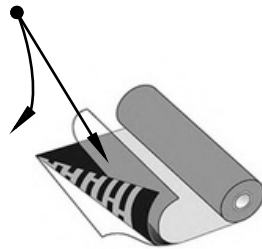
8 x H



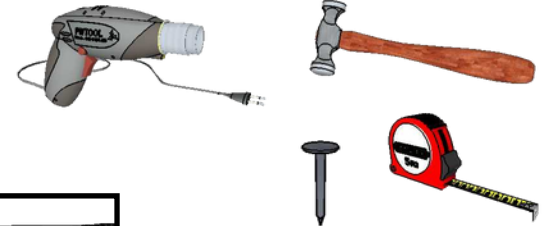


# Self-adhesive UNDERLAY FELT INSTALLATION MANUAL.

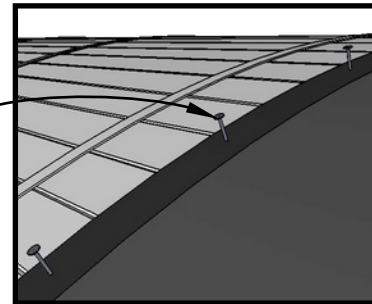
Check also underlay felt  
installation manual  
inside the package.



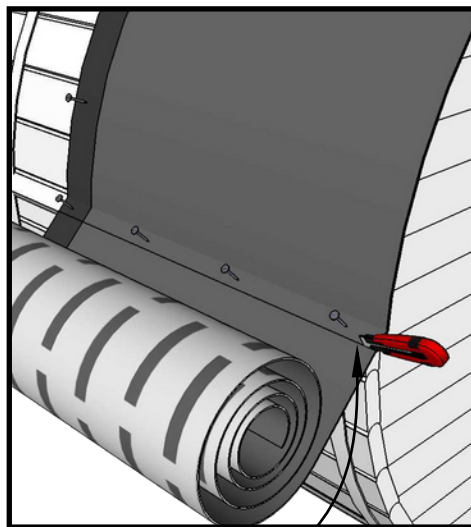
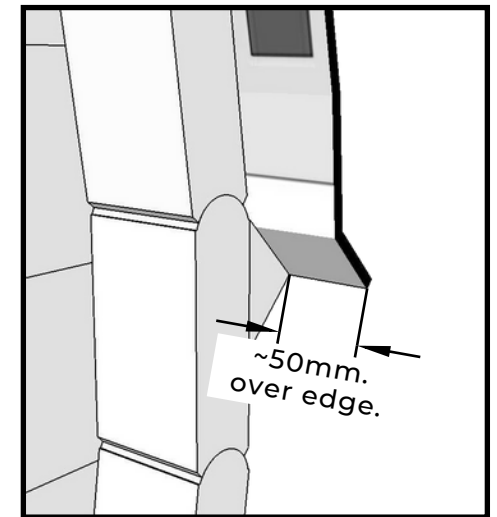
The temperature during installation should be a minimum of +10°C. In colder conditions, a hot air gun should be used. Hot bitumen or torching must not be used when installing the felt.



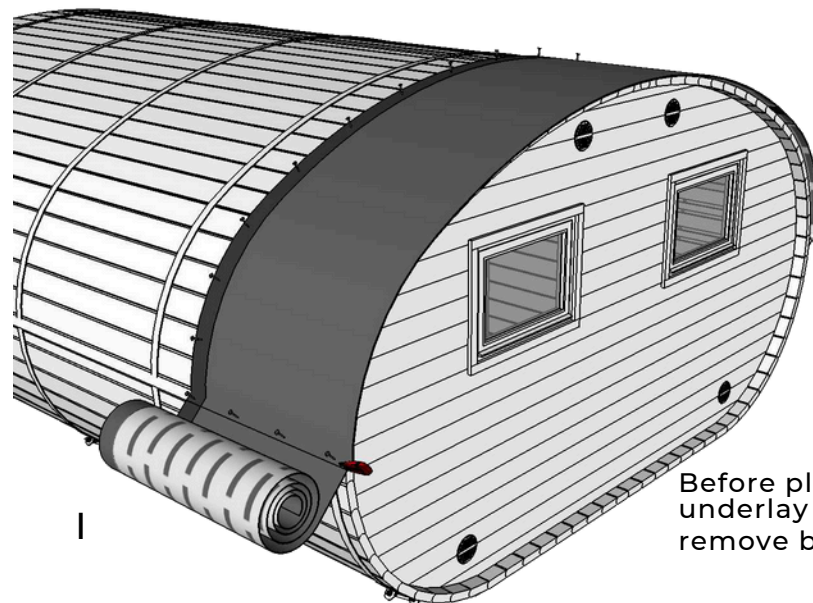
Use clout  
nails only  
on bitumen  
side.



Start from  
backside!



Cut off



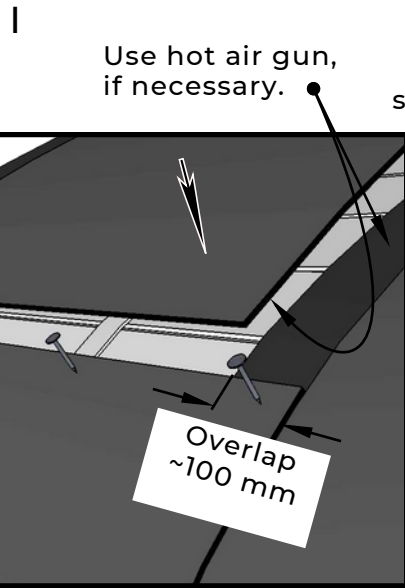
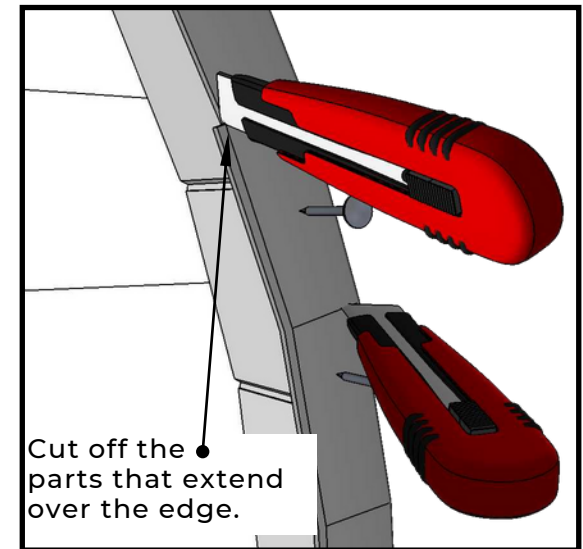
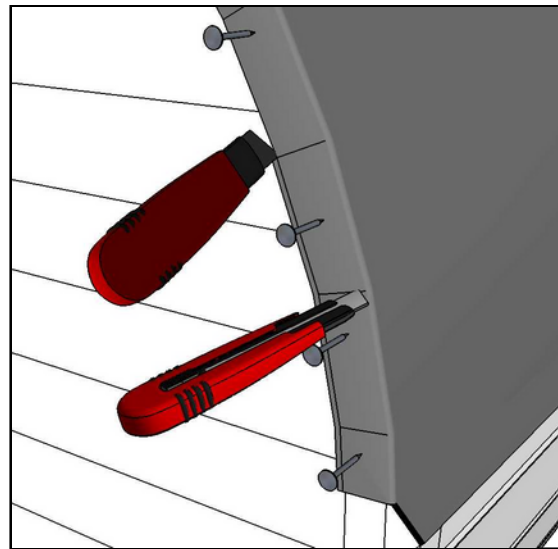
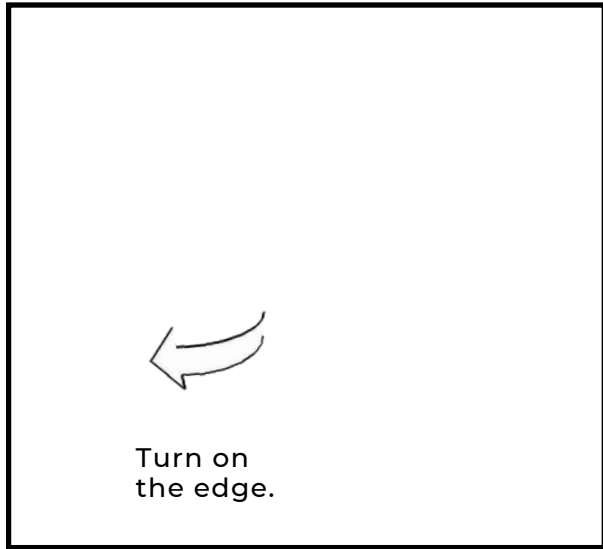
1

(FR101)

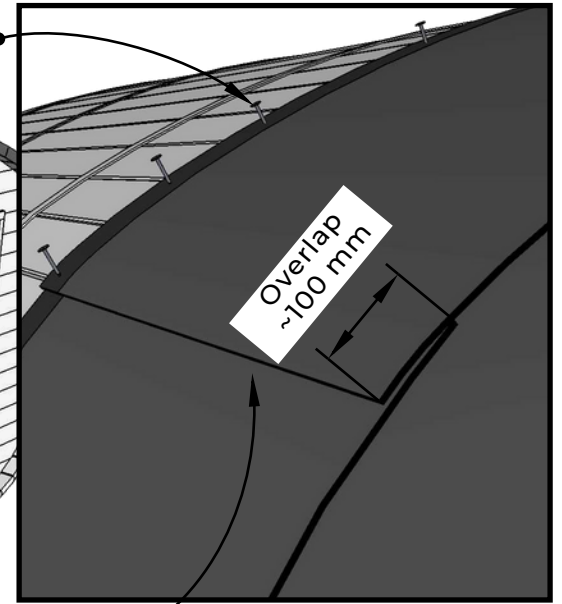
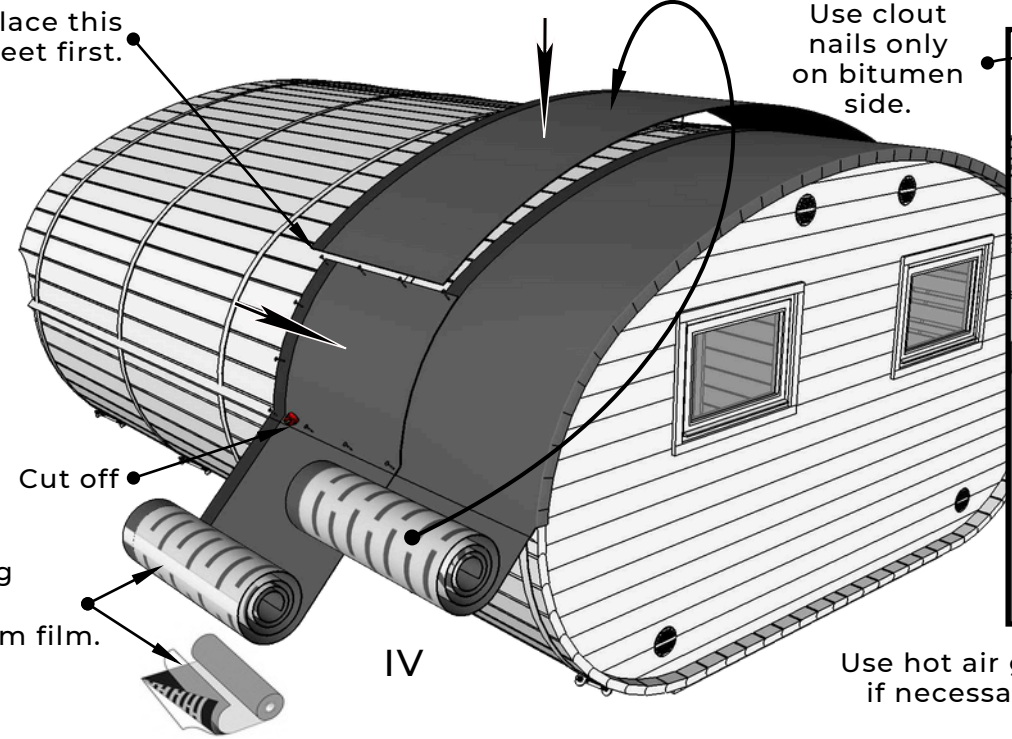
Before placin g  
underlay felt,  
remove bottom film.



Place side with  
stripes against  
the wood.



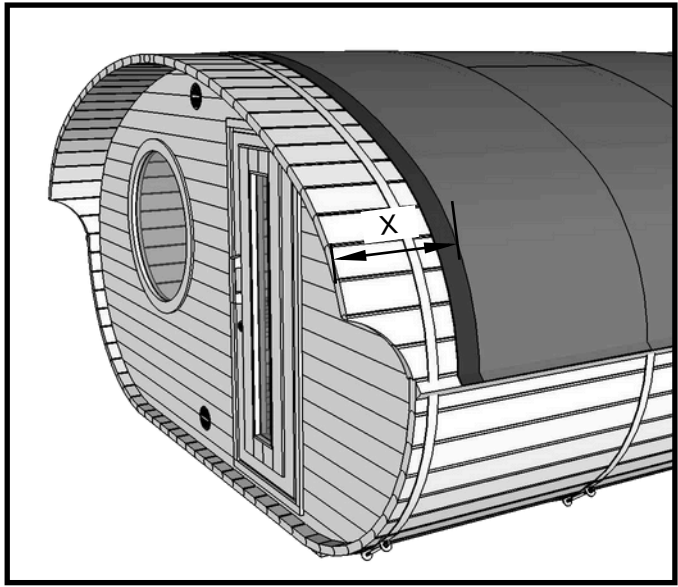
Place this sheet first.



Before placing underlay felt, remove bottom film.

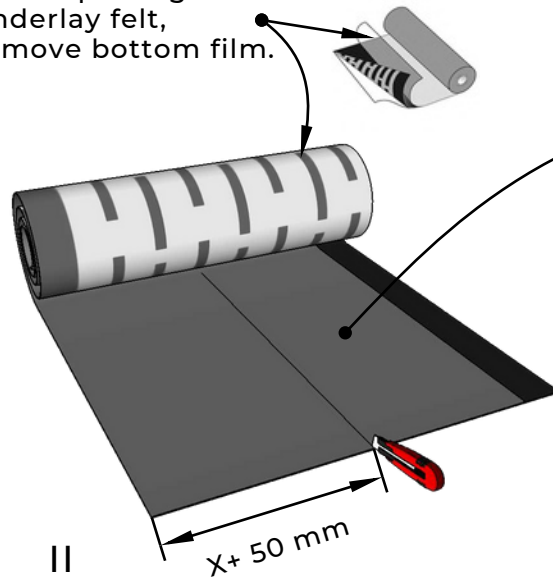
2.

(FR101)

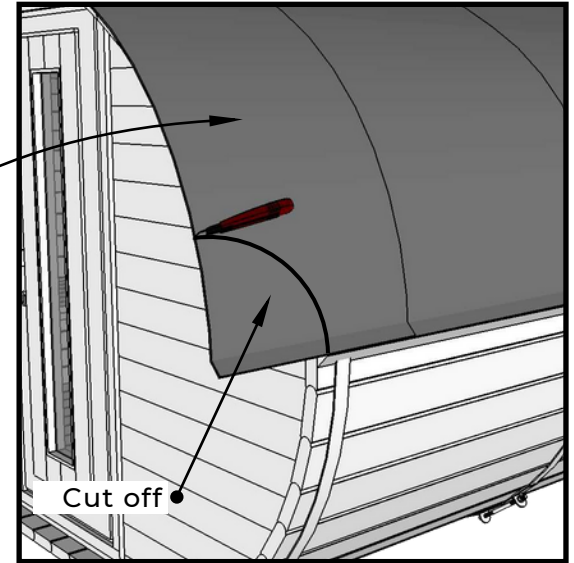


I

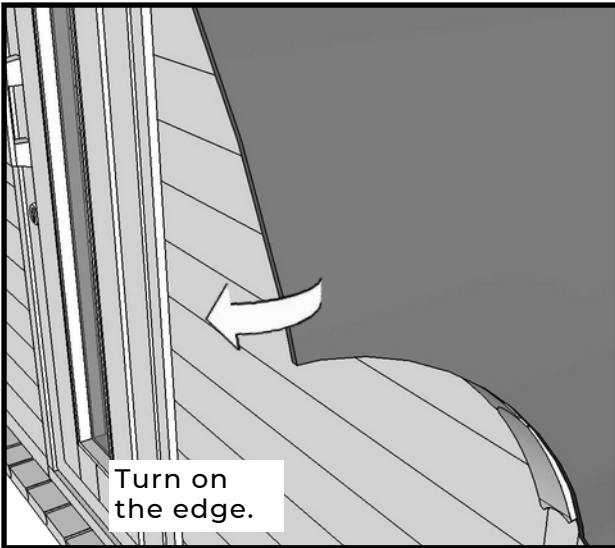
Before placing underlay felt, remove bottom film.



II

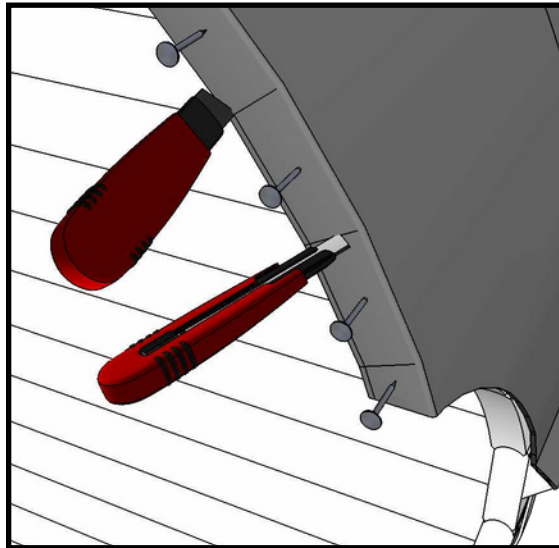


III

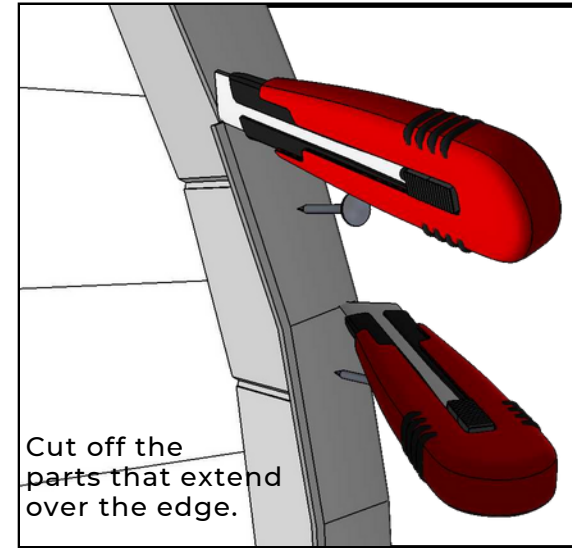


IV

Turn on the edge.



V



VI

Cut off the parts that extend over the edge.

Continue with roof shingles.

3.

(FR101)