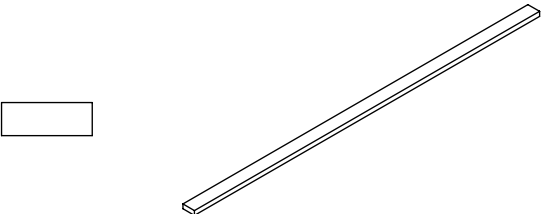

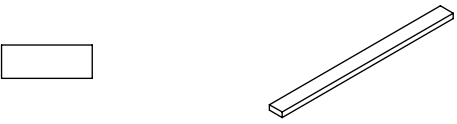
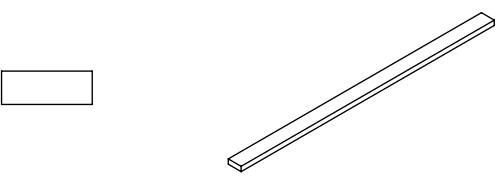
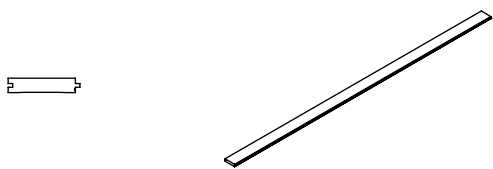
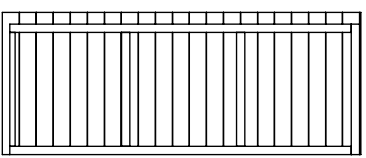
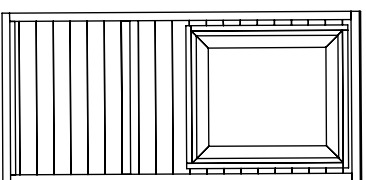
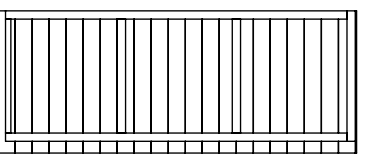
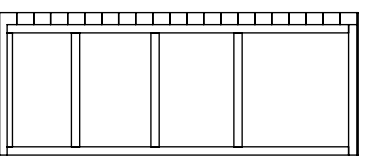
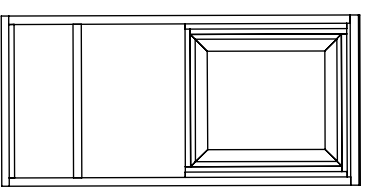
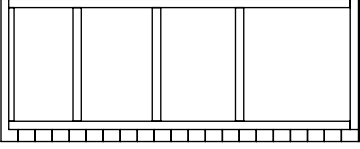
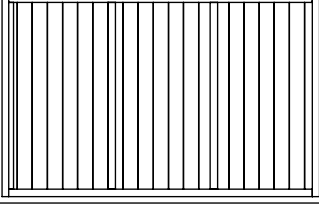
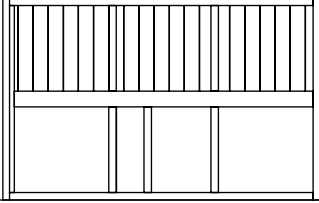
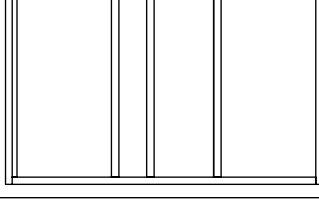
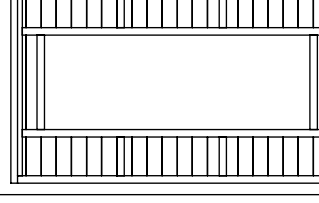
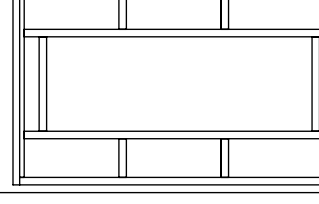
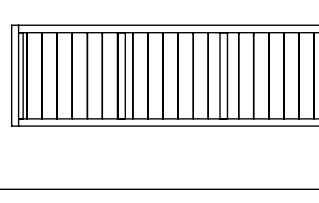
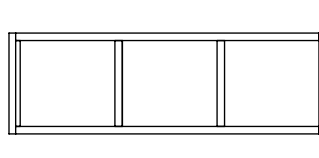
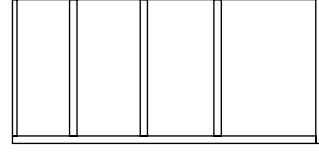
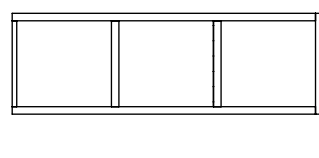


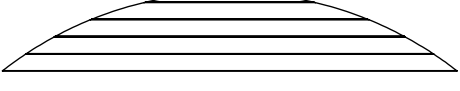

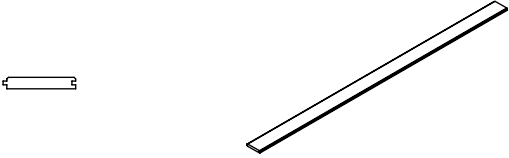
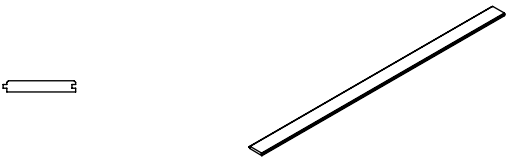





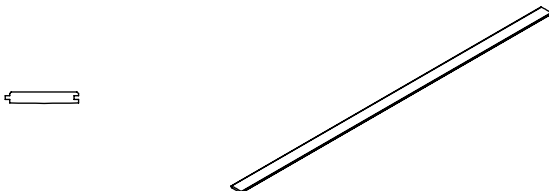
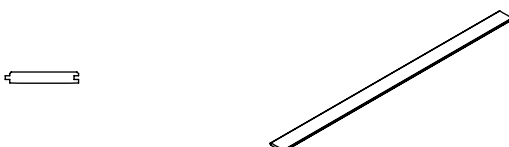


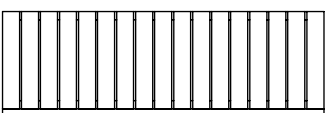
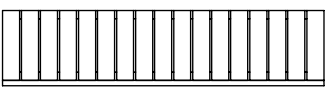


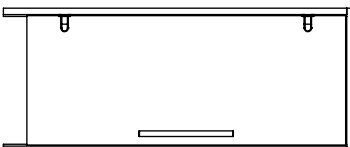


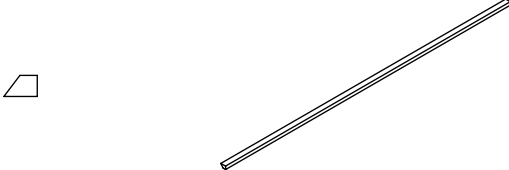
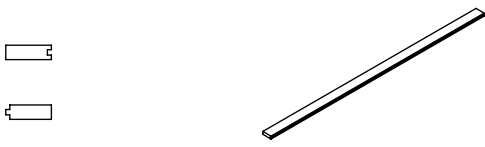
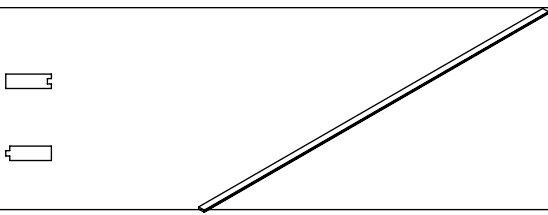
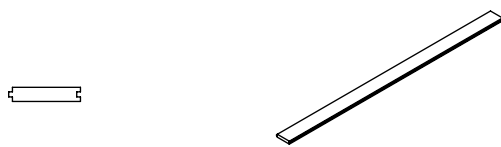
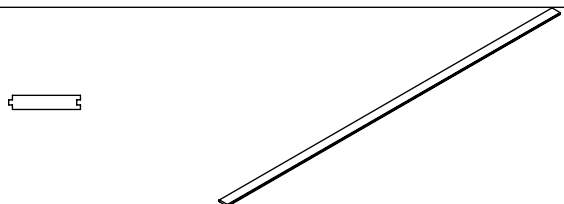
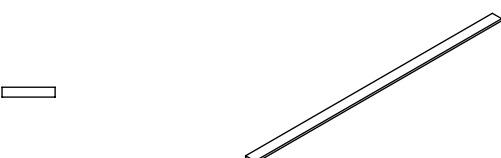
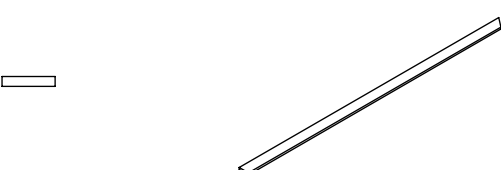
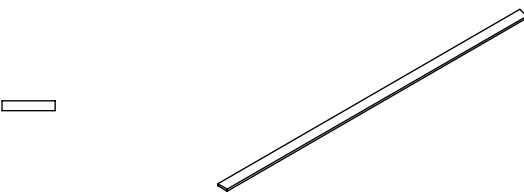
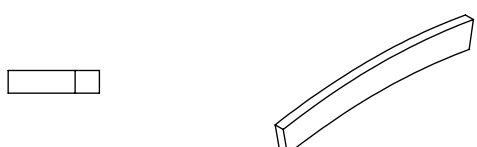


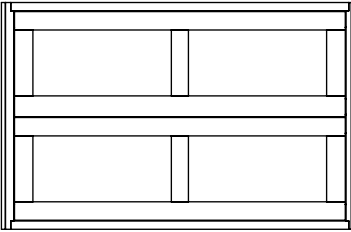
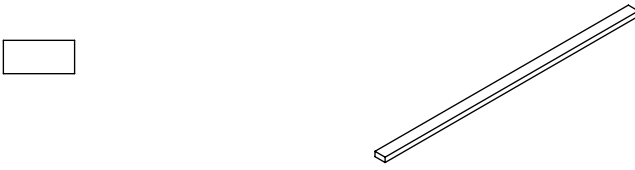


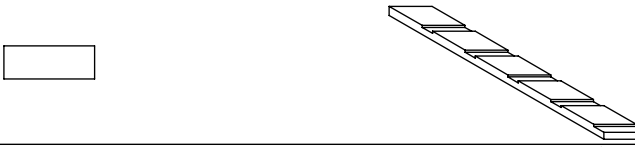







1.1		44x120x3550	7
1.2		44x120x1162	7
1.3		44x120x1500	7
1.4		44x120x2368	2
2		19x97x2368 (floor board)	54
3.1		753x1890	1
3.2		900x1890	1
3.3		753x1890	1
3.4		753x1890 (insulated)	1
3.5		900x1890 (insulated)	1

3.6		753x1890 (insulated)	1
4.1		1200x1890	2
4.2		1200x1890 (insulated)	1
4.3		1200x1890 (insulated)	1
4.4		1200x1890	1
4.5		1200x1890 (insulated)	1
5.1		600x1890	1
5.2		600x1890 (insulated)	1
6.1		900x1850 (insulated)	1
6.2		600x1850 (insulated)	1

7.1		420x2406	1
7.2		420x2406 (insulated)	1
7.3		420x2406 (insulated/middle)	1
Arch		420x2406	13
pb1		15x97x1850	53
pb2		15x97x1820	79
pb3		15x97x960	14
pb4		15x97x90	14
pb5		15x97x160	10
pb6		15x97x80	10

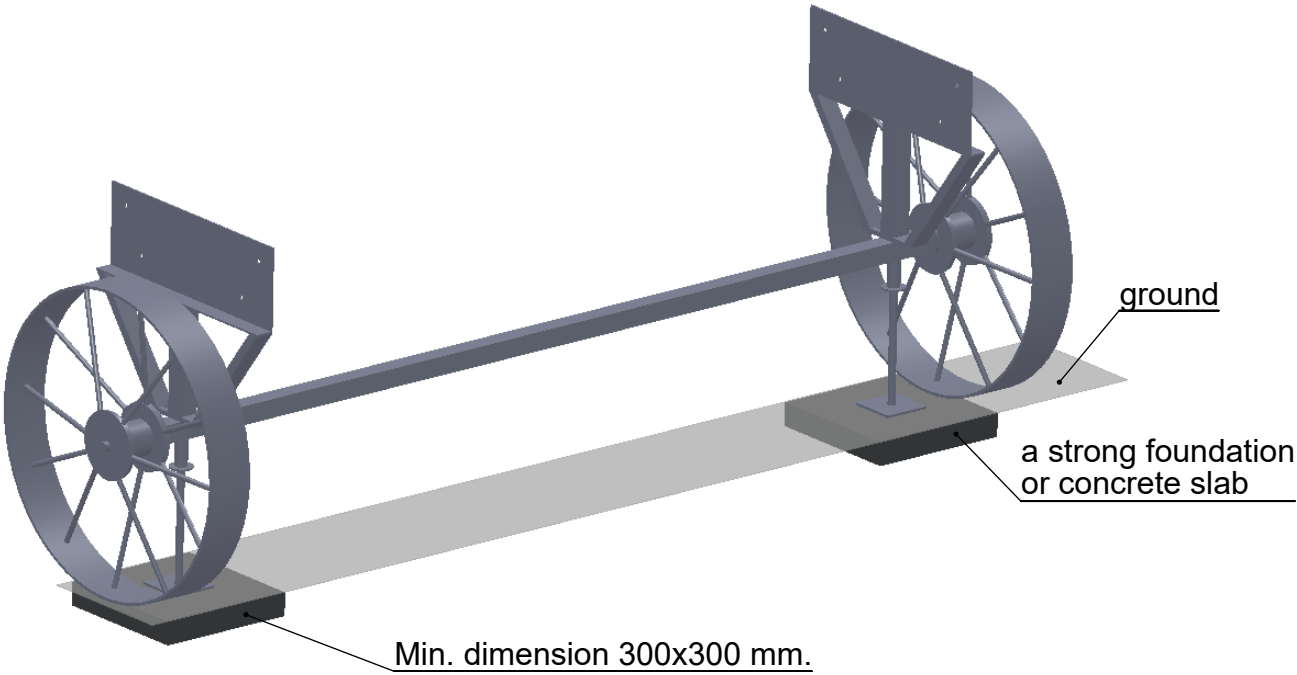
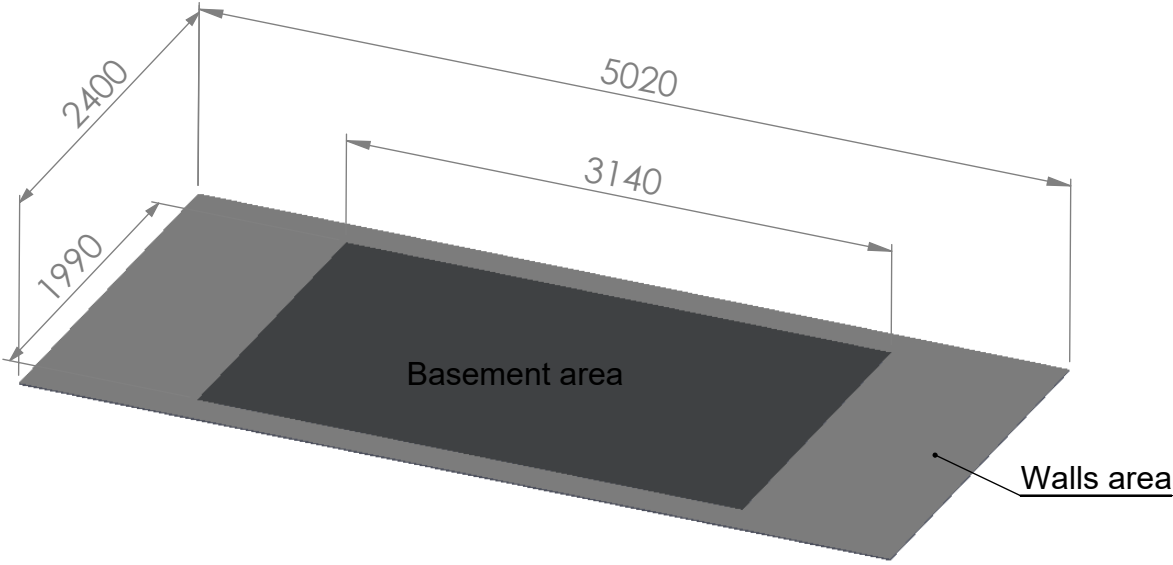
pb7		15x30x1112	1
pb8		15x97x2985	27
pb9		15x97x1709	27
Bench support 1		44x44x515	2
Bench support 2		44x44x320	2
Upper bench		543x1700	1
Lower bench		348x1700	1
Backrest		260x1700	2
Vertical slat		12x42x420	4
Glass door		775x1850	1

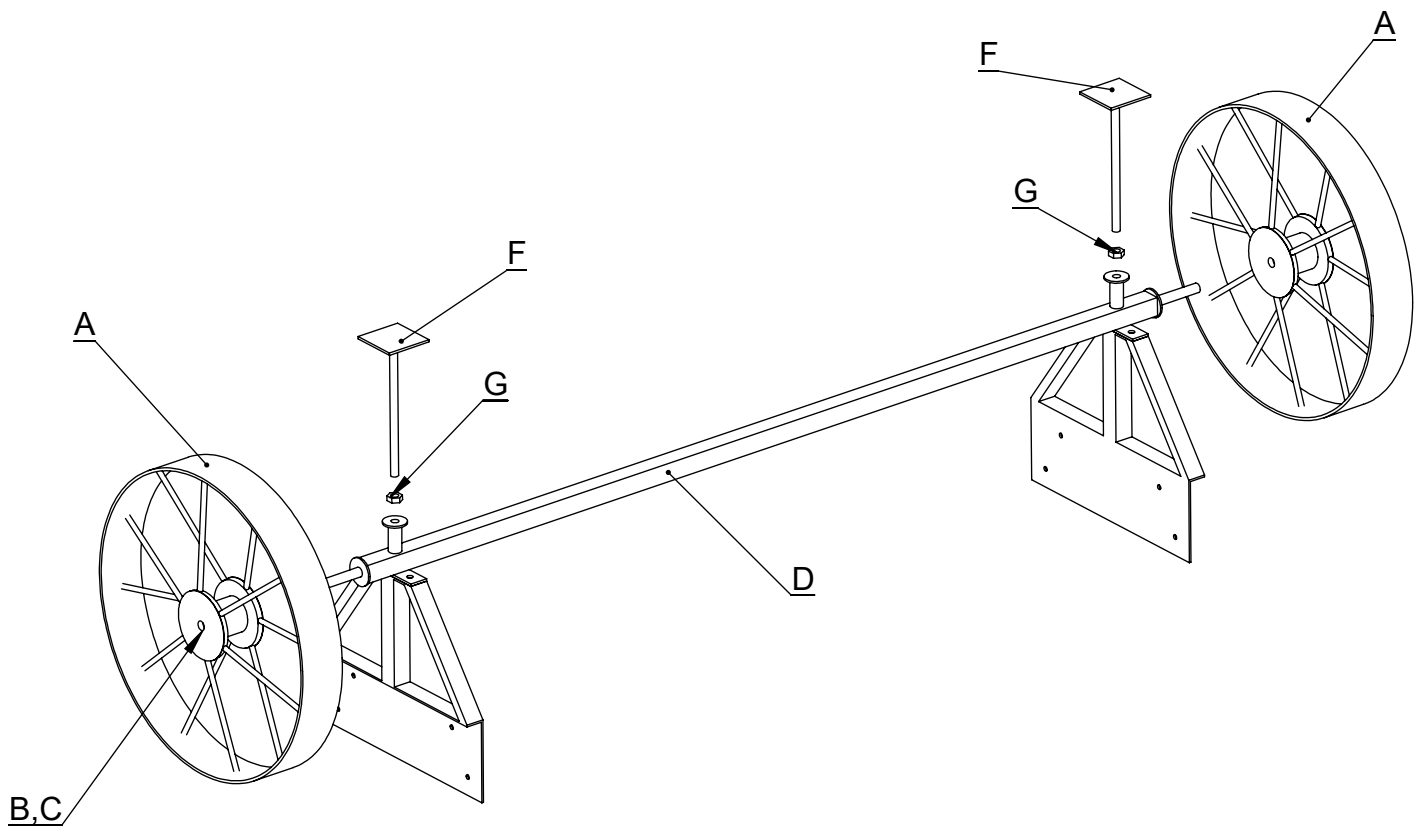
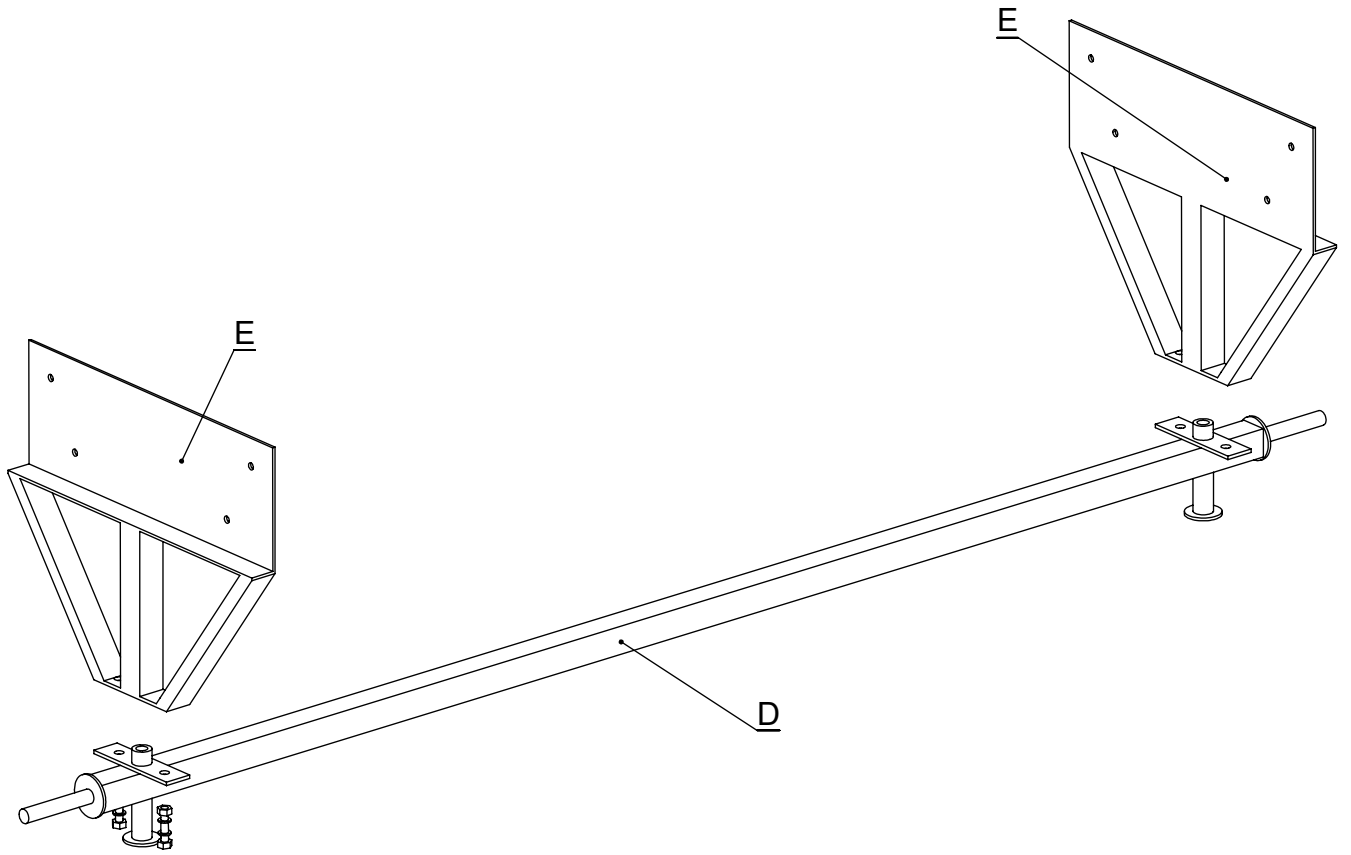
Door cover slat 1		13x70x1826	4
Door cover slat 2		13x70x903	2
8		28x44x2663	4
9.1/9.2		19x60x1594 (first/last)	1+1
9.3/9.4		19x60x3732 (first/last)	1+1
10.1		19x97x1594	29
10.2		19x97x3732	29
11.1		13x70x1846	11
11.2		13x70x1942	4
11.3		13x70x2260	4
12		28x90x740	8

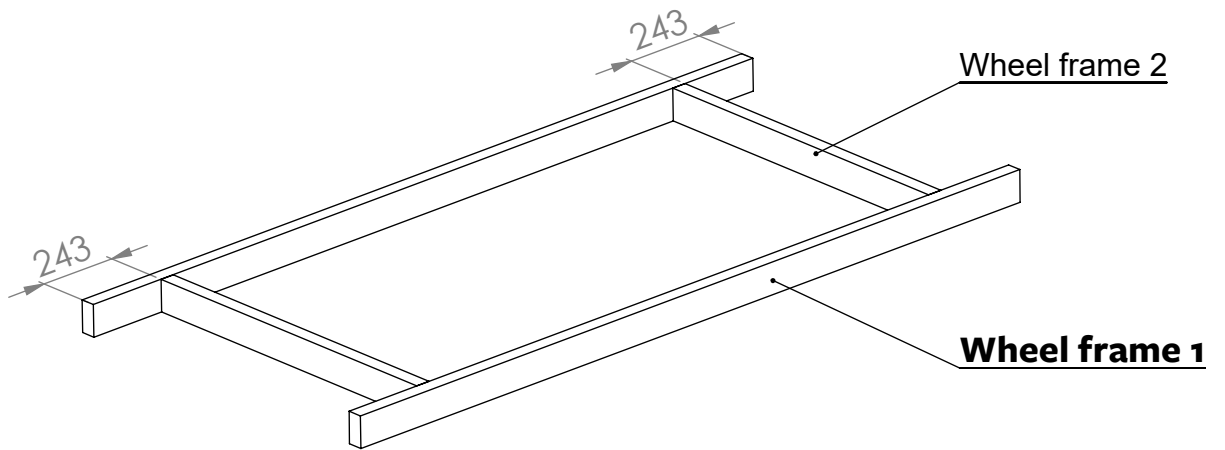
Door		1200x1850	1
Wheel frame1		44x94x2368	4
Wheel frame 2		44x94x1000	4
St 1		44x120x1205	1
St 2		44x120x1205	1
St 3		40x147x1200	5
St 4.1		68x68x1000	1
St 4.2		68x68x1000	1
St 5.1/5.2		28x96x1170	1+1
St 6		28x68x950	8
Pb 1		19x95x650	6
Pb 2		19x95x150	4

Nr	Metal parts	Qty
A	wagon wheel	4
B	wagon wheel,s washer	4
C	wheel,s splint	4
D	wagon axle	2
E	support	4
F	adjustable support leg	4
G	adjustable leg,s nut	4
	fasteners set	
	assembly instruction	

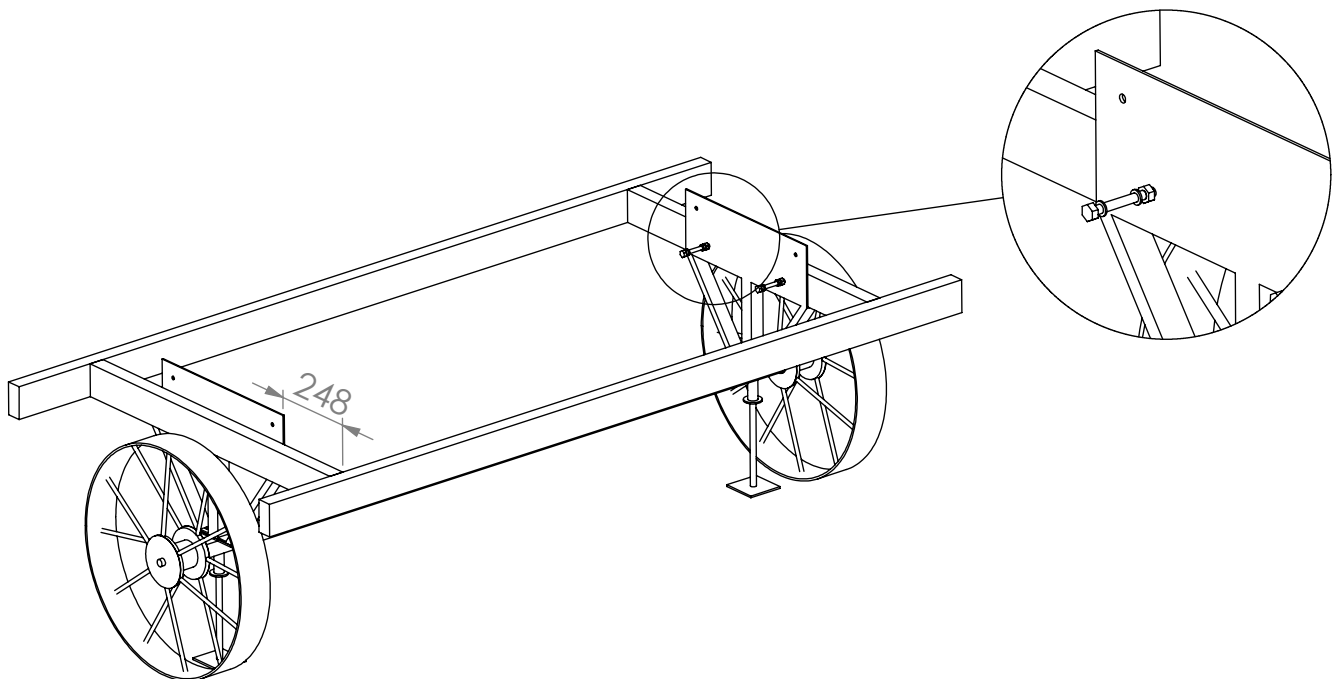
Attention! This wagon must be based on adjustable legs and is not moveable!





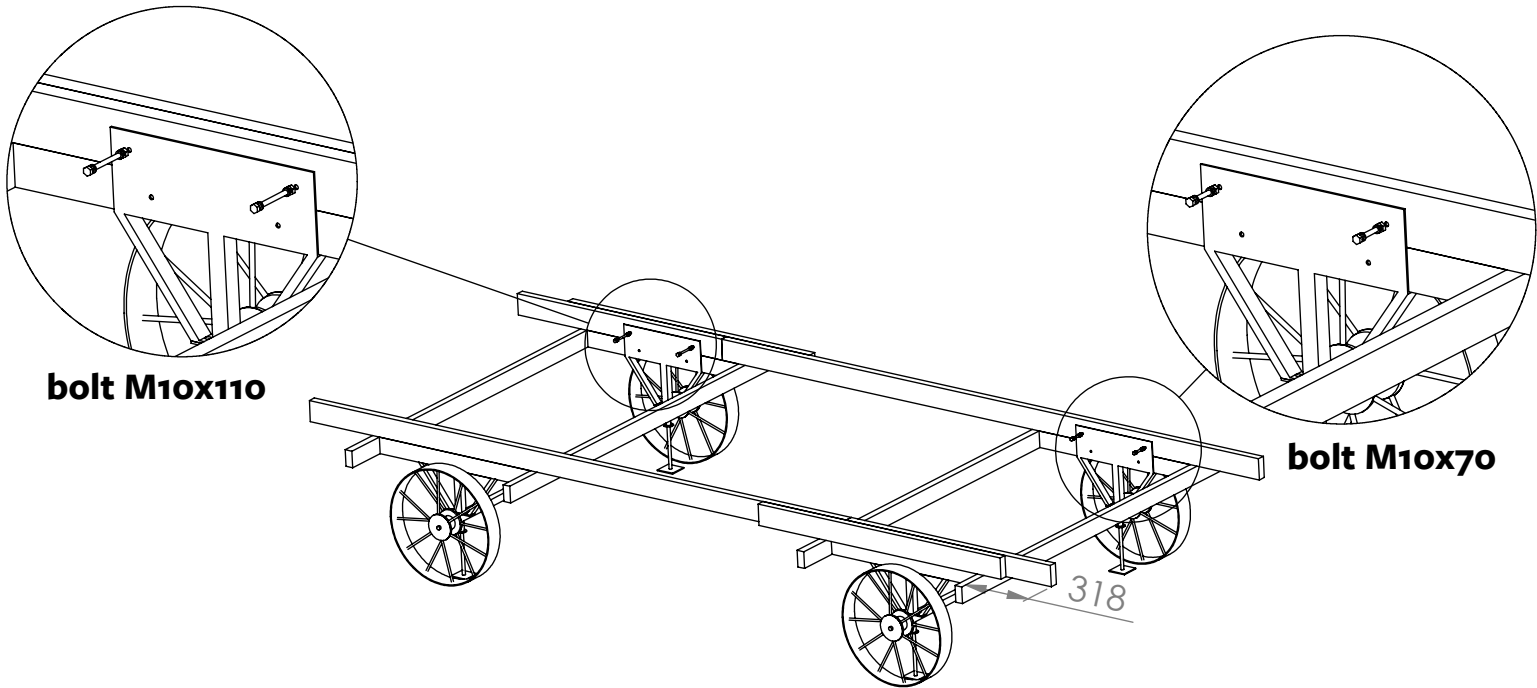
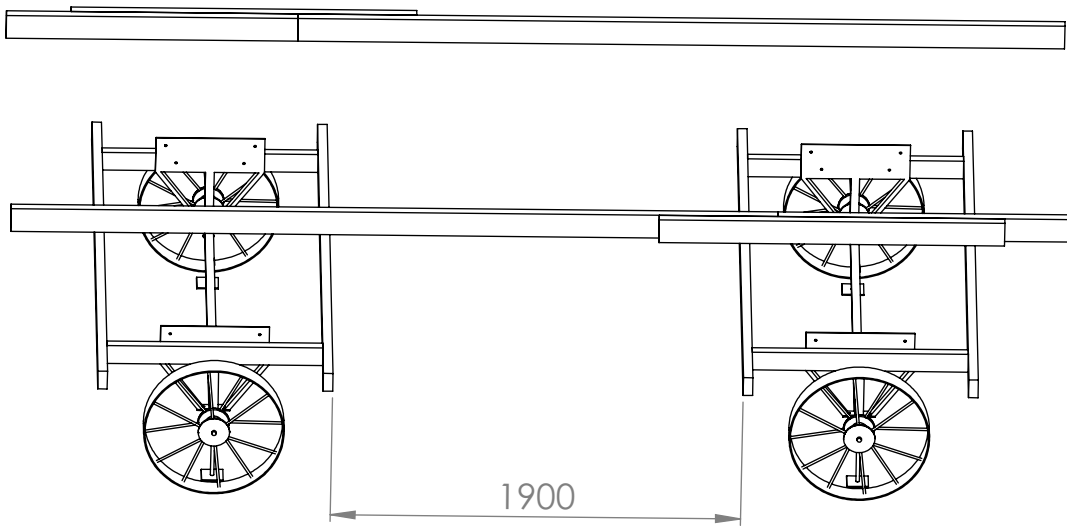
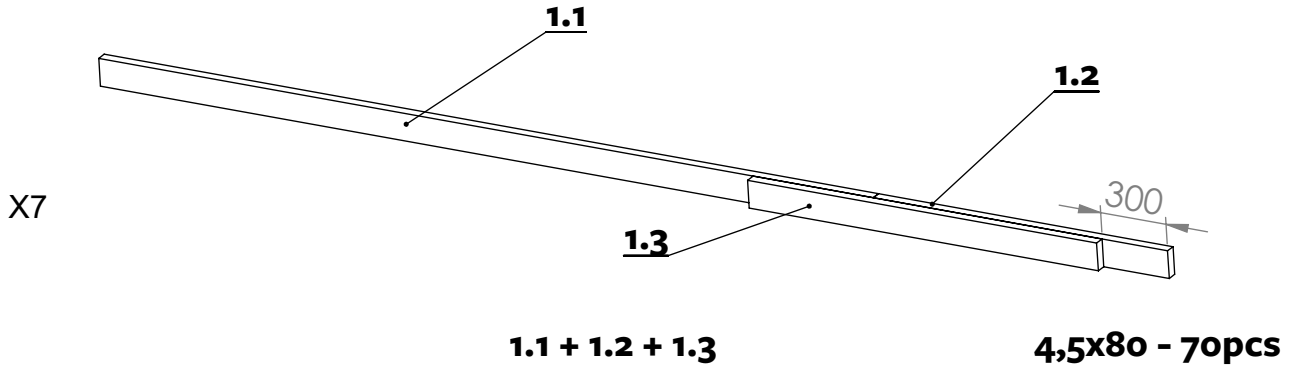


4,5x80 - 16



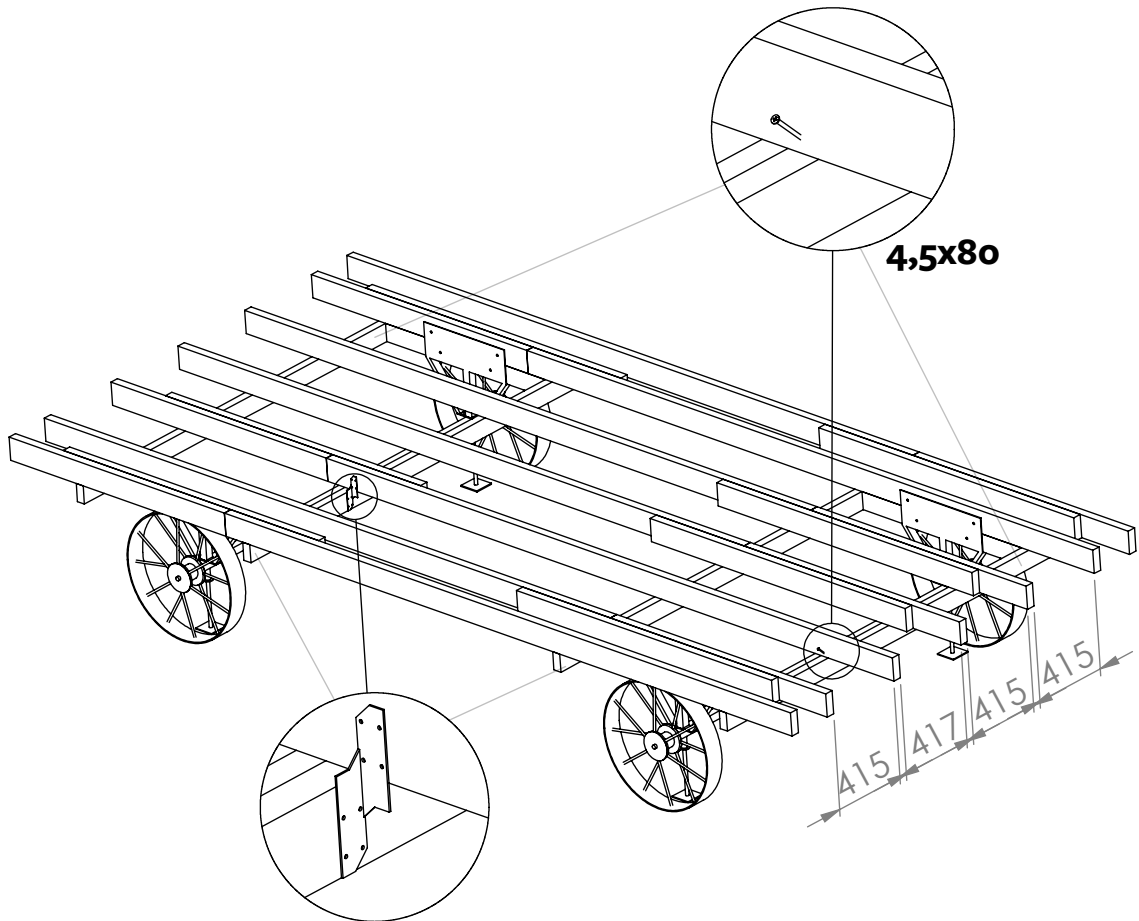
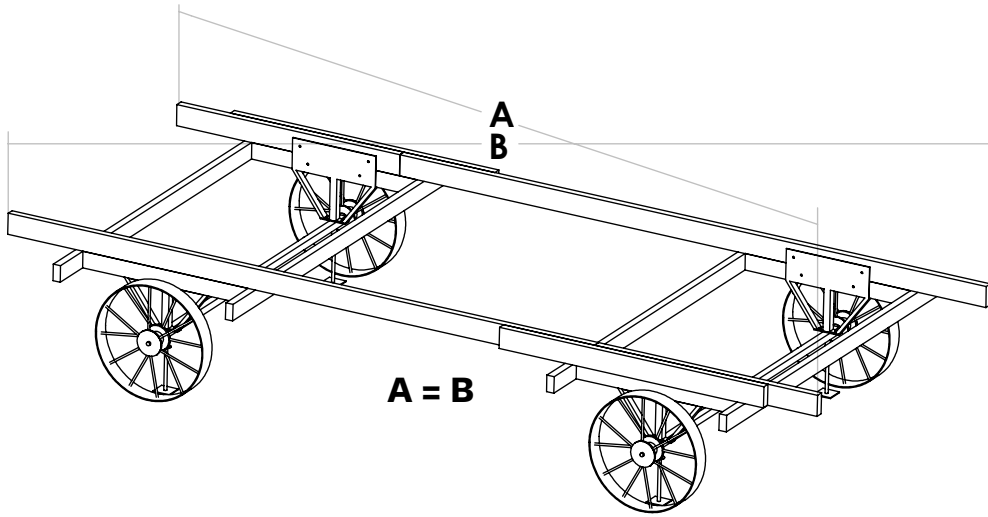
base + 1.1 - 1.2

bolt M10x70 - 8
washer M10 - 16
nut M10 - 8



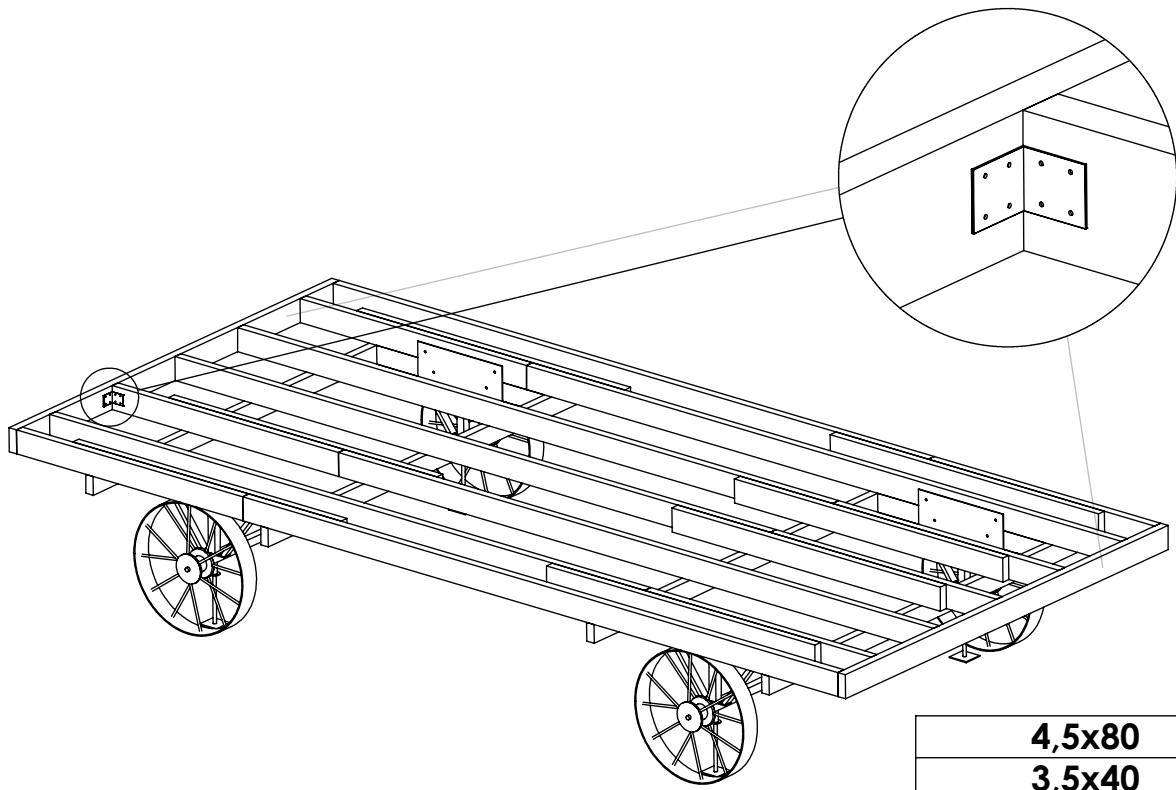
base + 1.1 - 1.2 - 1.3

bolt M10x70/110 - 4+4
washer M10 - 16
nut M10 - 8

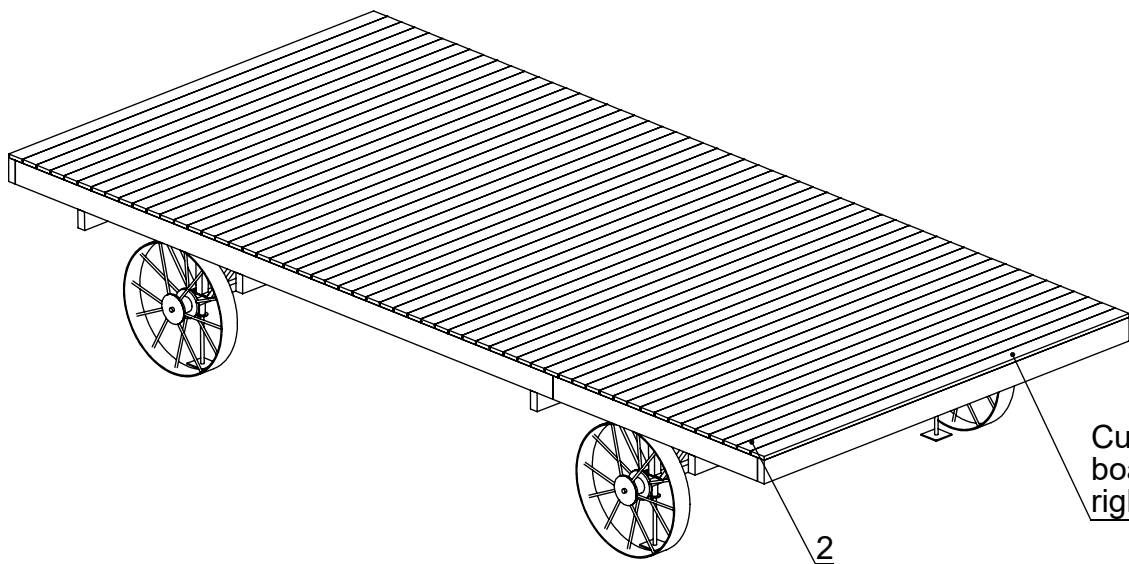


**carrier plate
170x35**

4,5x80	10
3,5x40	144
carrier plate R/L	9+9



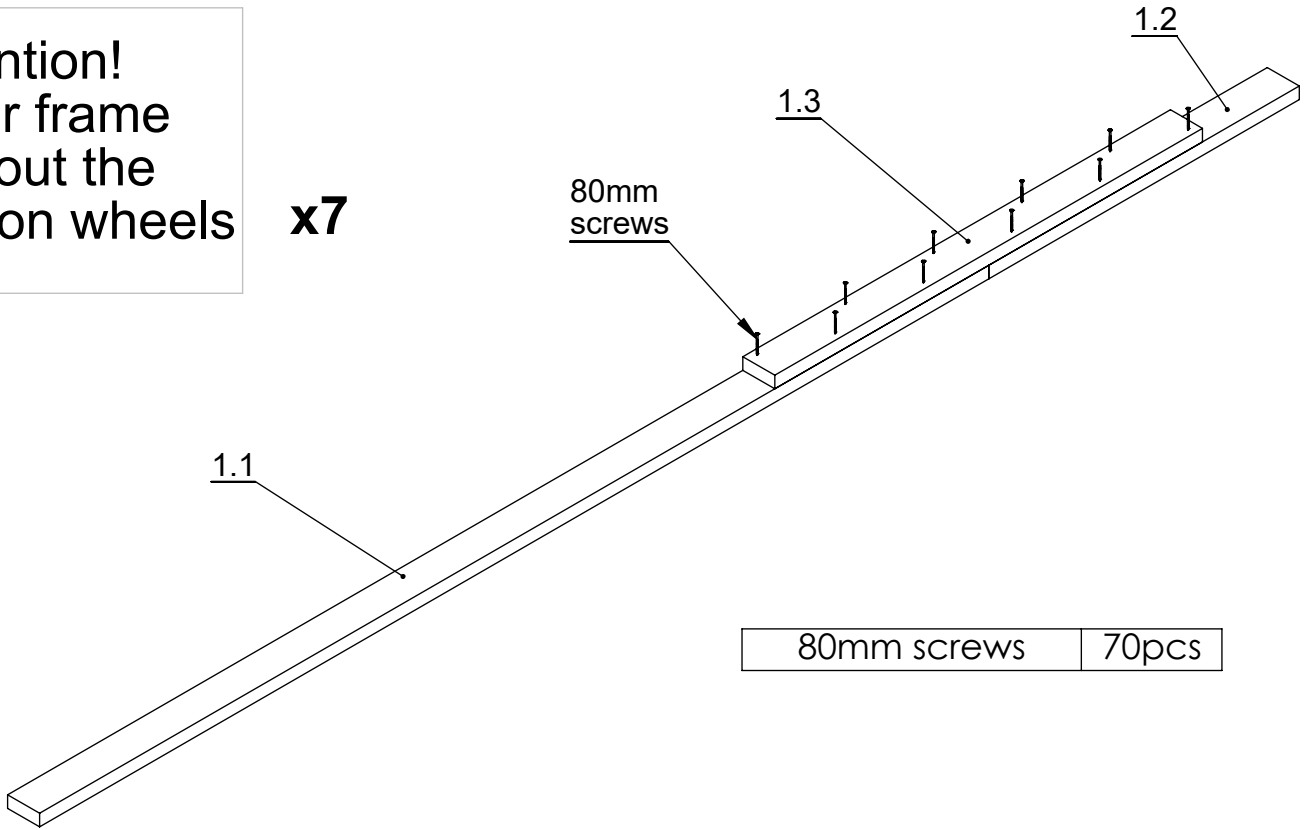
4,5x80	28
3,5x40	112
80x80x40	14



2x50	756
-------------	------------

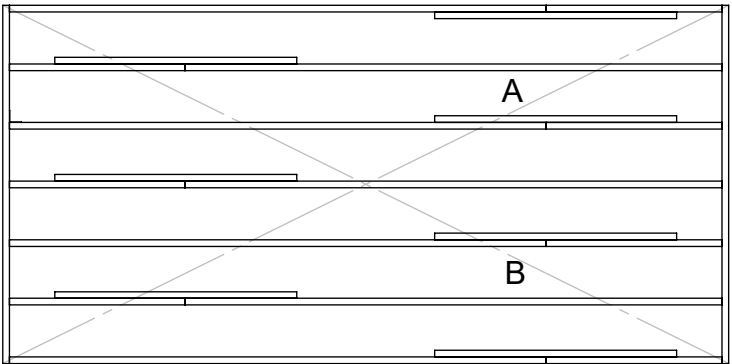
Attention!
Floor frame
without the
wagon wheels

x7

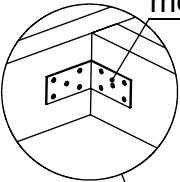


80mm screws	70pcs
-------------	-------

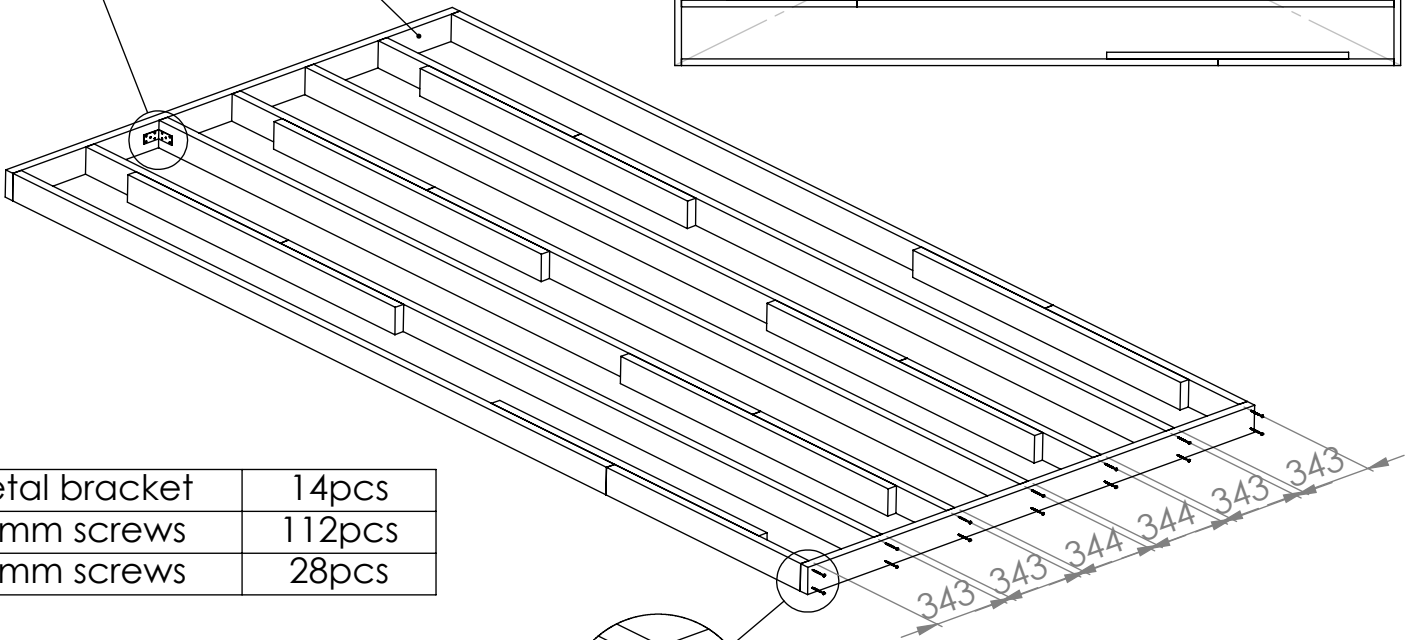
A=B



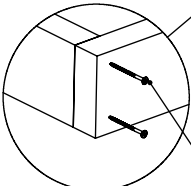
metal bracket/40mm screws



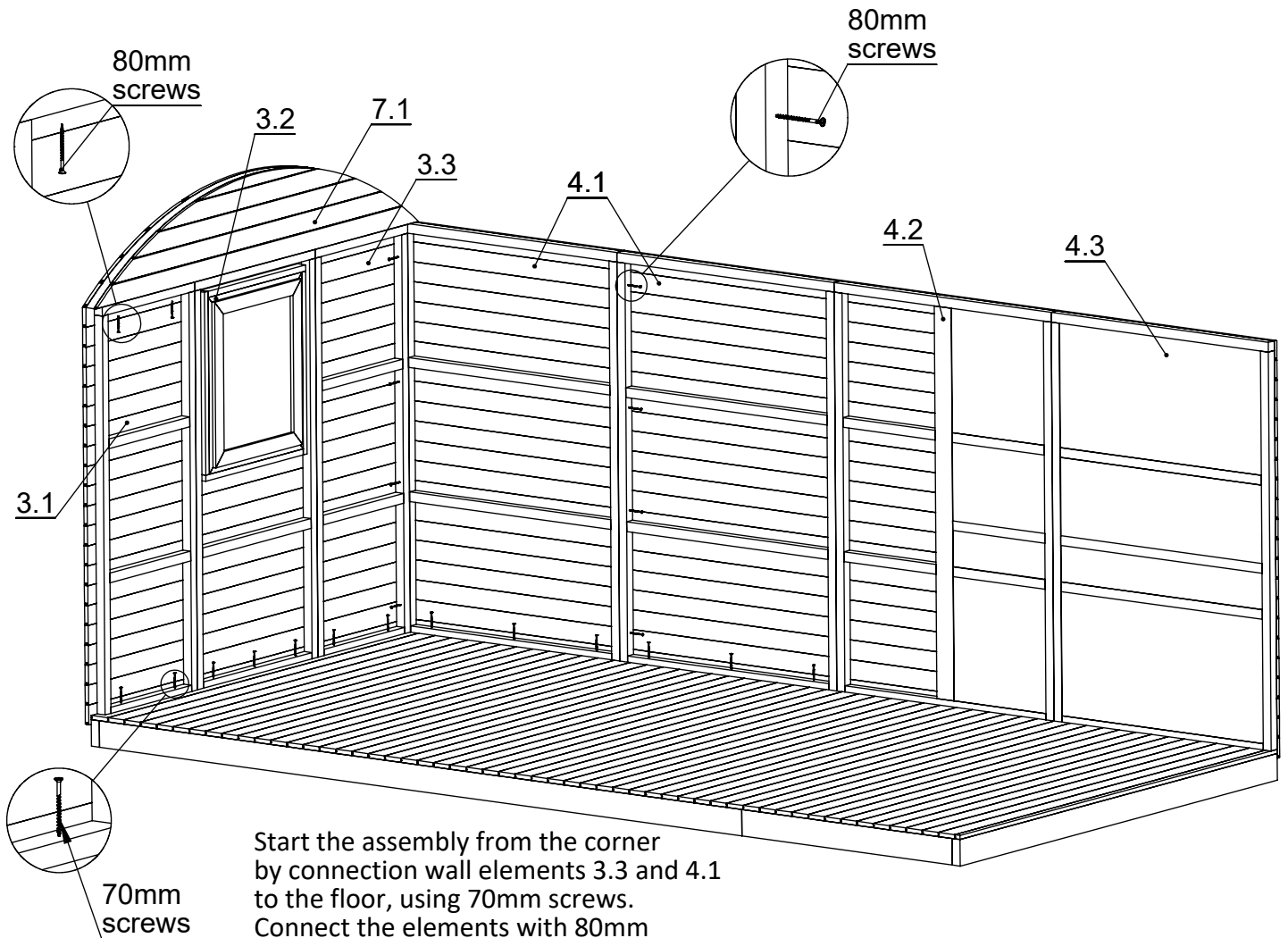
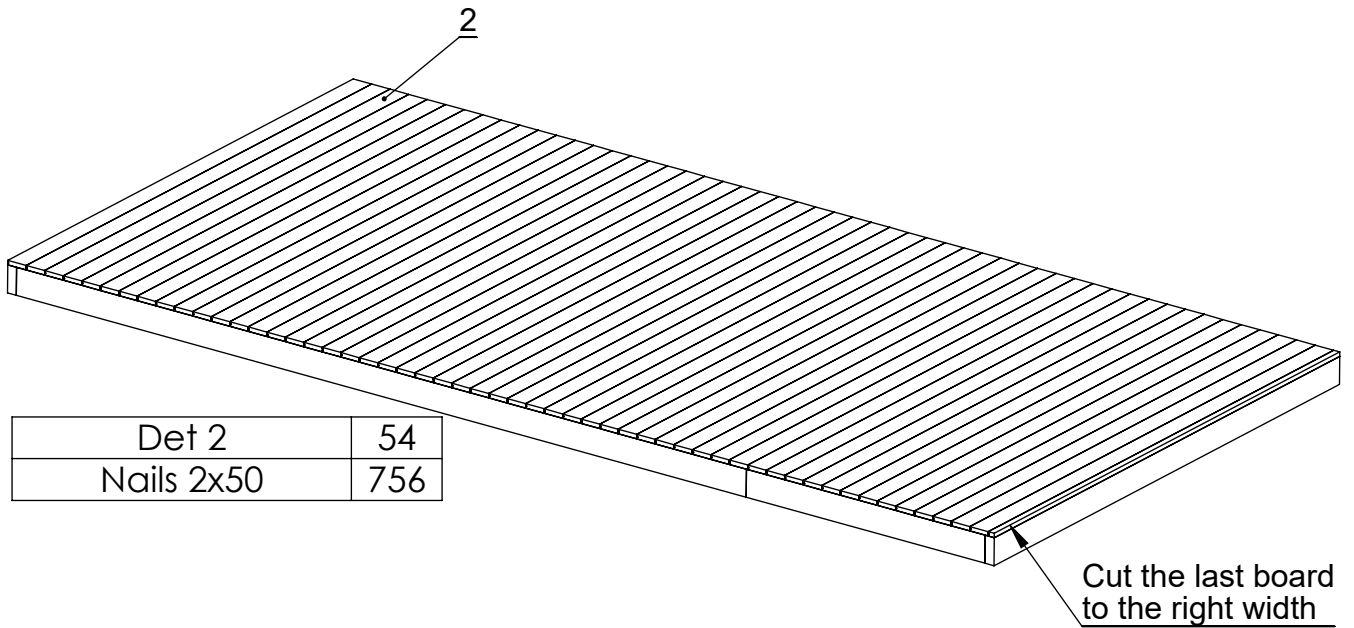
1.4



Metal bracket	14pcs
40mm screws	112pcs
80mm screws	28pcs

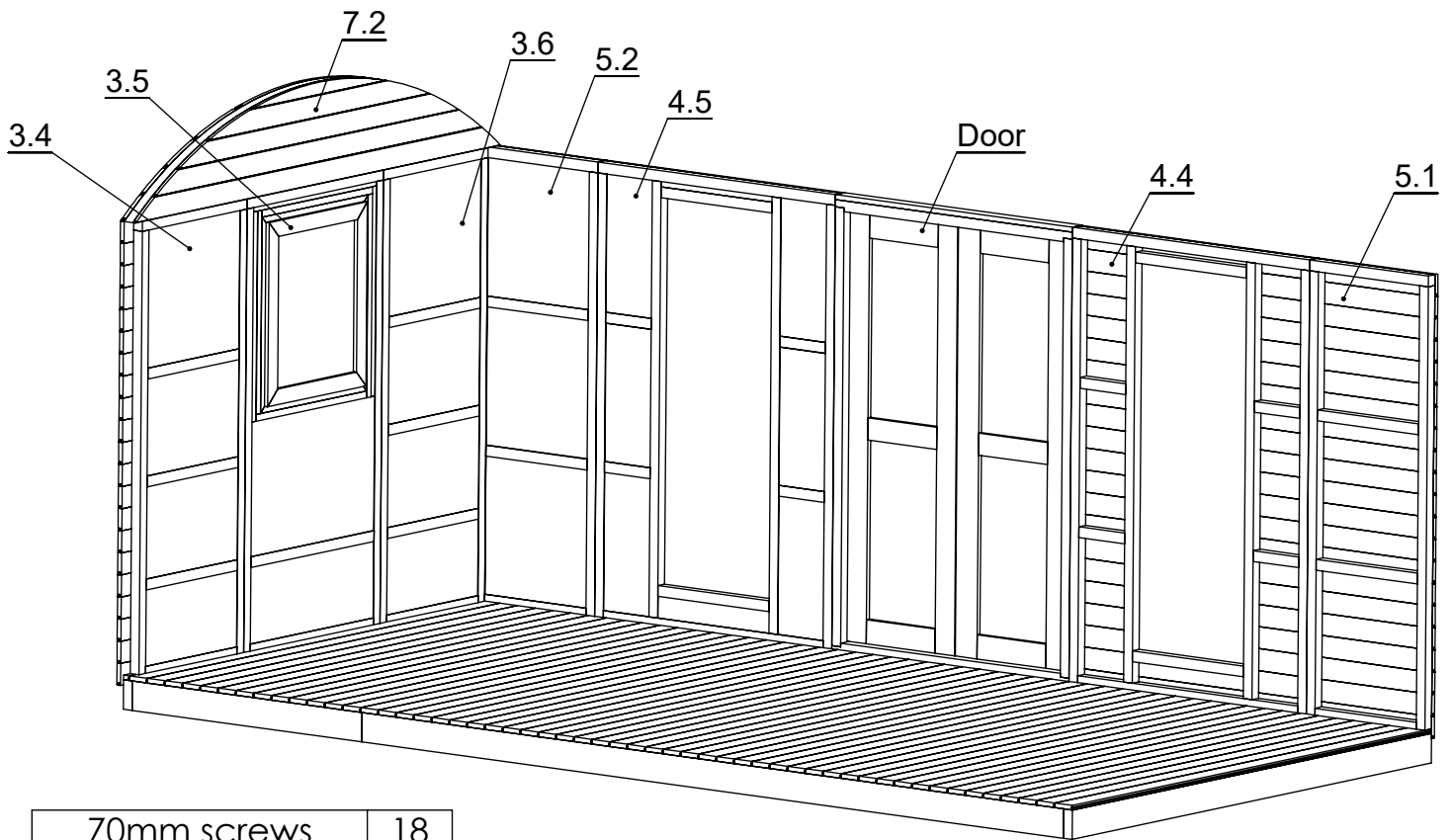


80mm screws

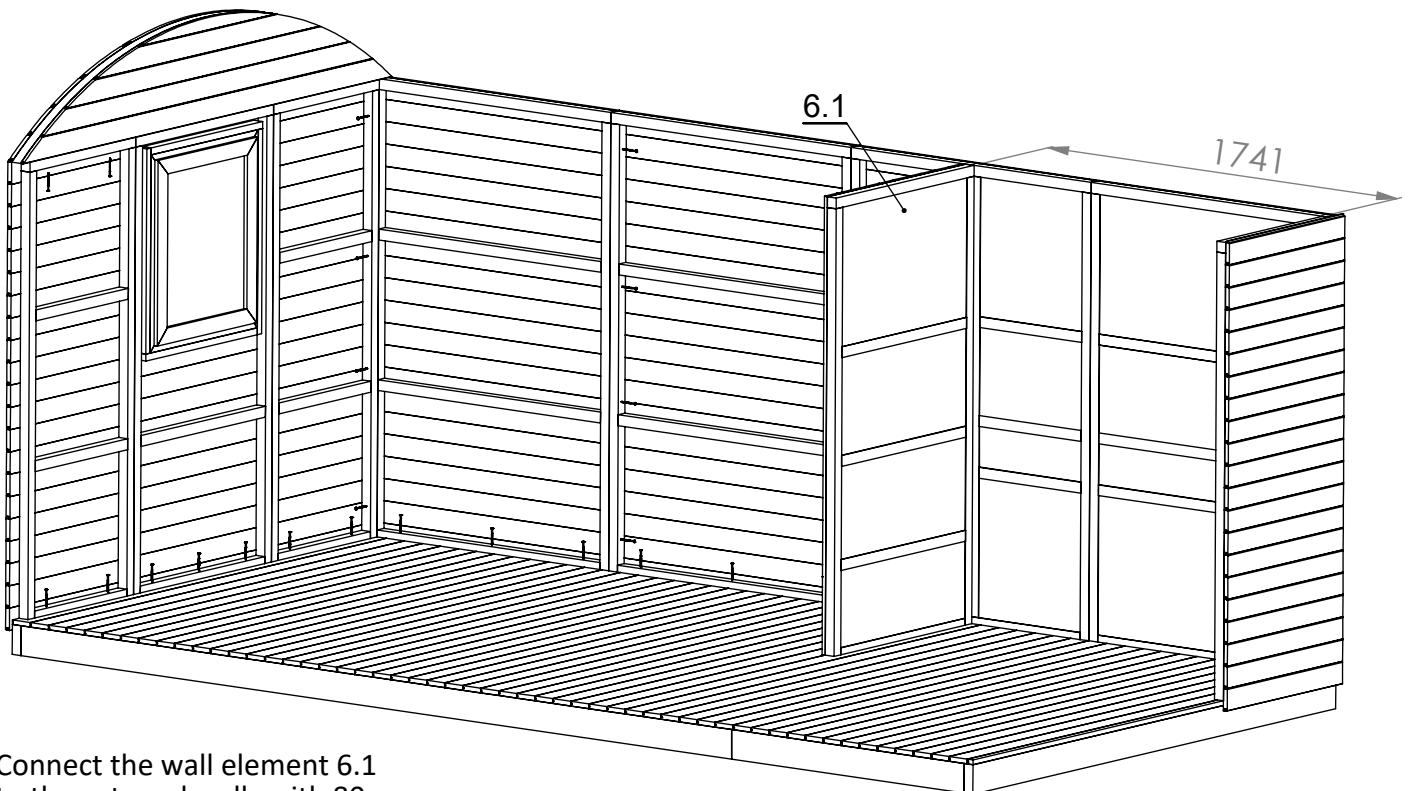


Start the assembly from the corner by connection wall elements 3.3 and 4.1 to the floor, using 70mm screws. Connect the elements with 80mm screws as shown in the drawing. When connecting elements 4.2 and 4.3 carefully remove insulation when necessary and put back after assembly of the elements.

70mm screws	20
80mm screws	28

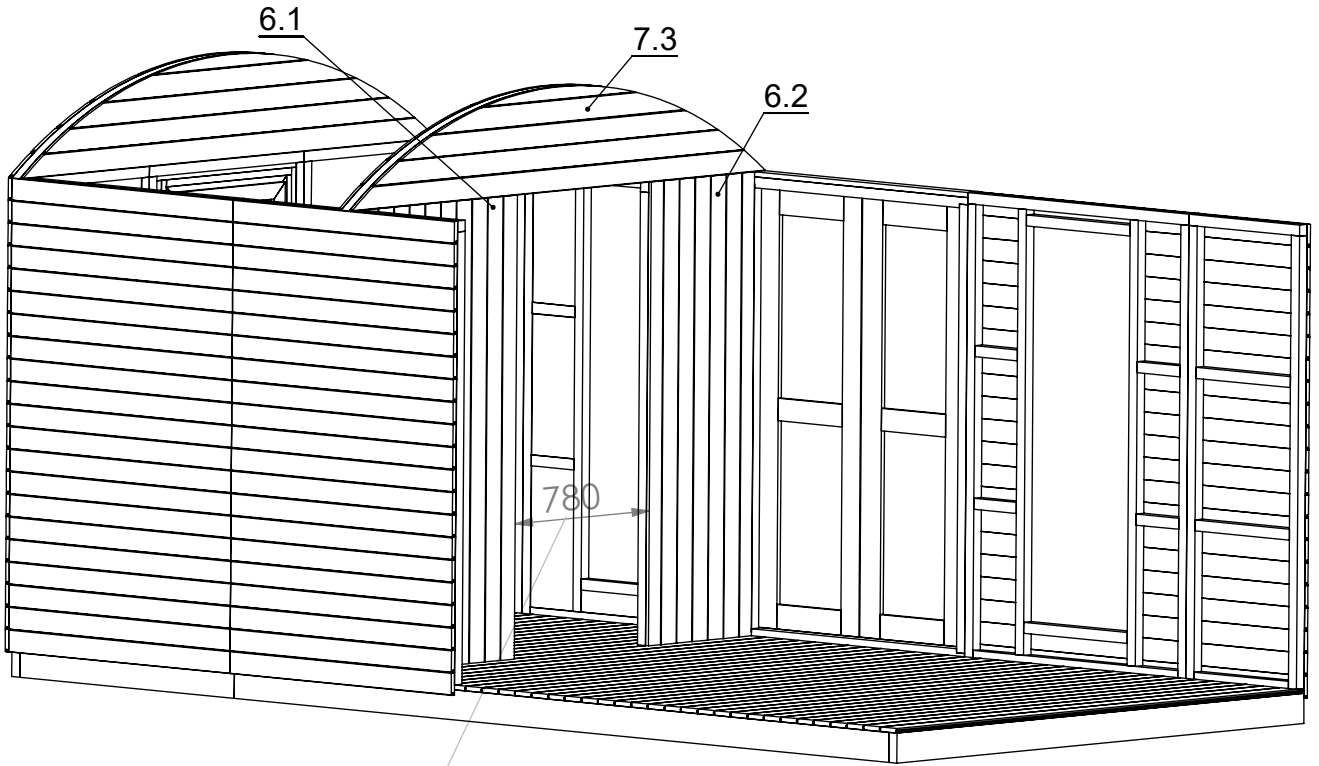


70mm screws	18
80mm screws	28



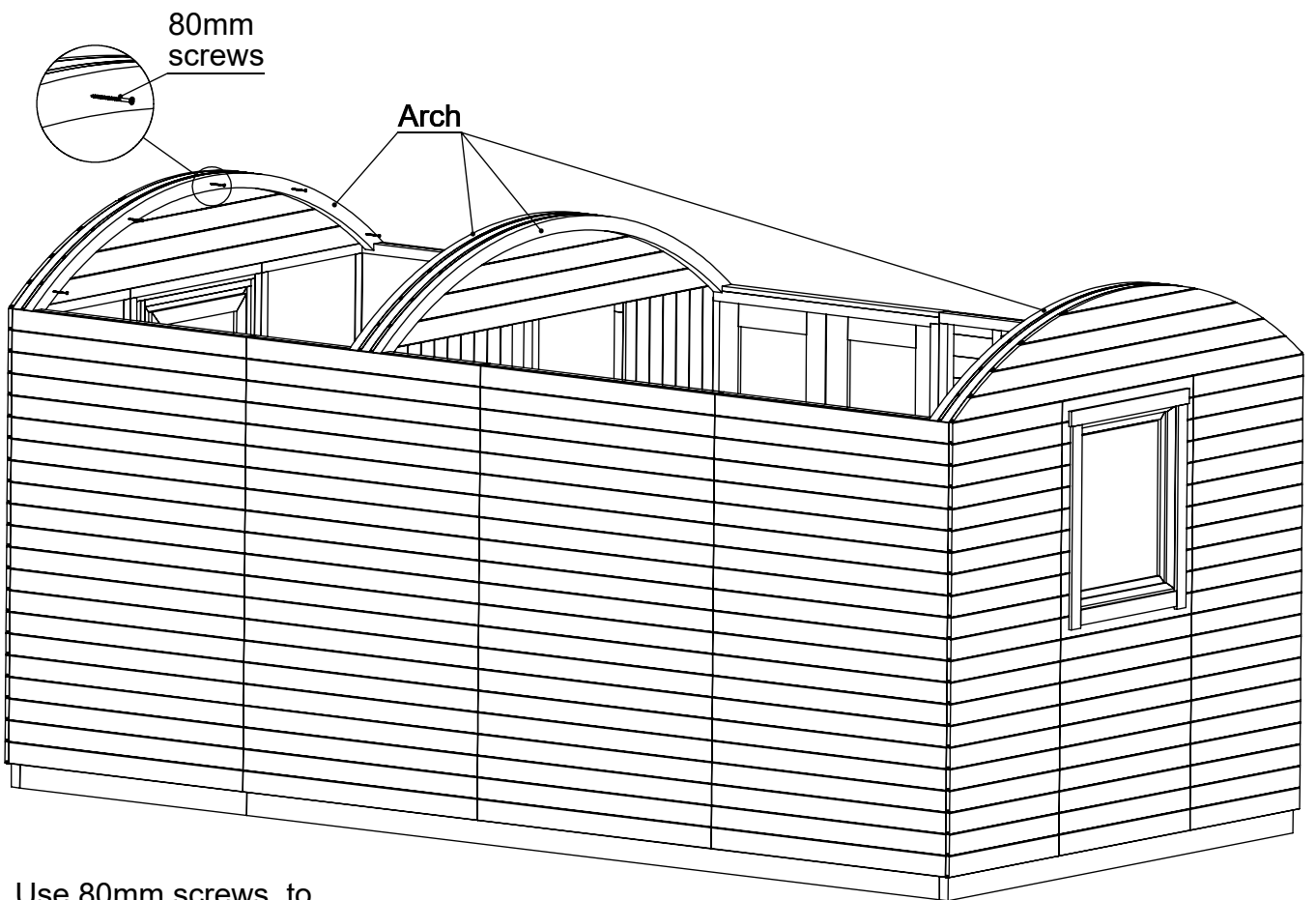
Connect the wall element 6.1 to the external walls with 80mm screws and to the floor with 70mm screws.
 NB: Use waterlevel to make sure the wall is straight (Internal room distance 1741mm)

70mm screws	3
80mm screws	4



Attention! 780mm

70mm screws	3
80mm screws	8

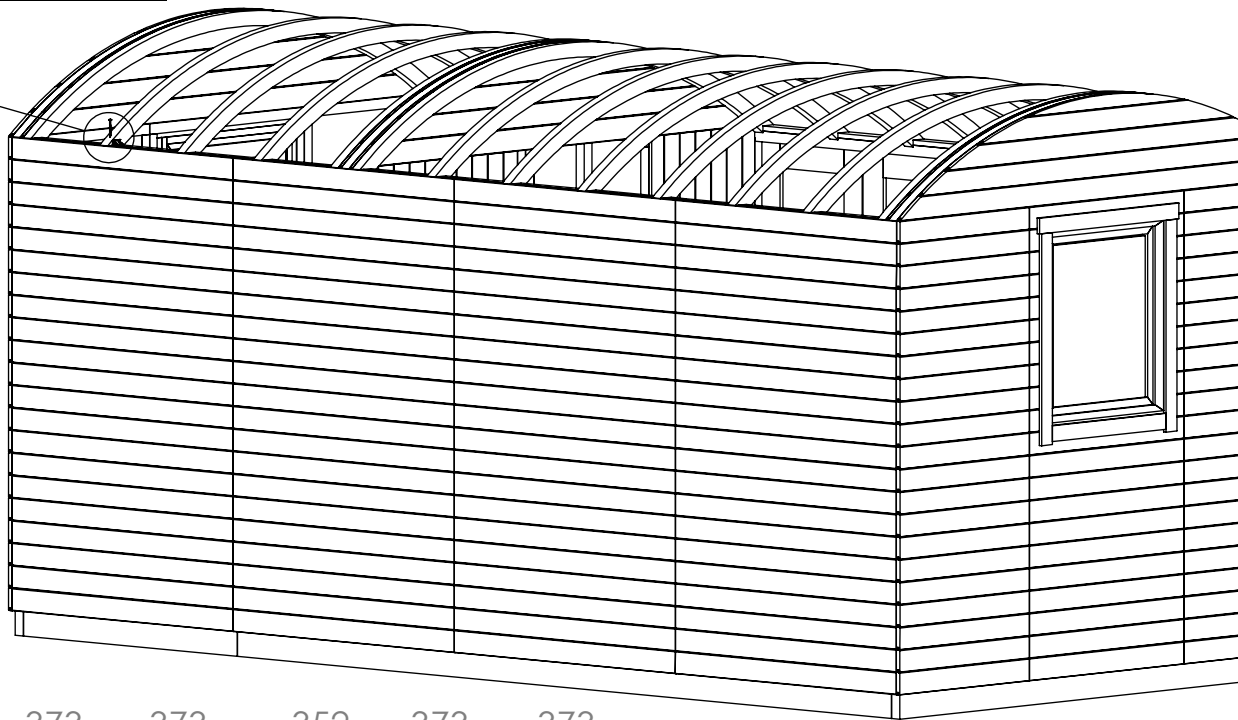
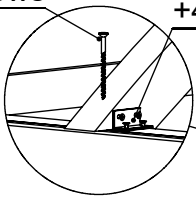


Use 80mm screws, to connect arches to the arch elements.

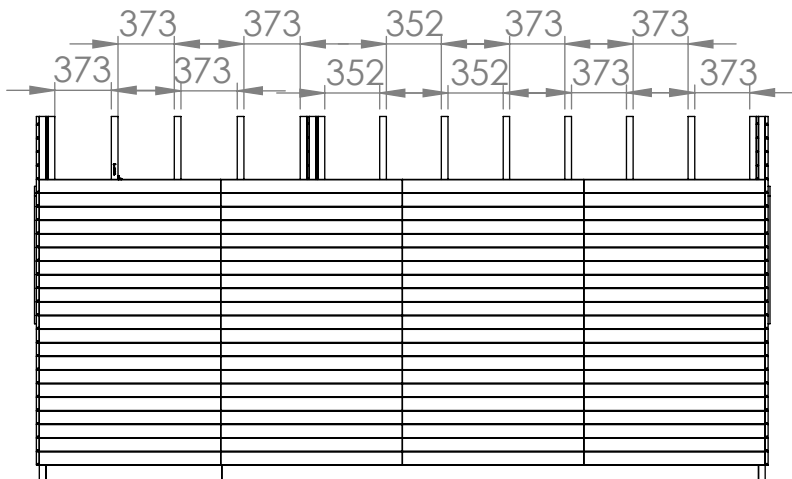
80mm screws	20
-------------	----

70mm screws

Metal bracket +40mm screws

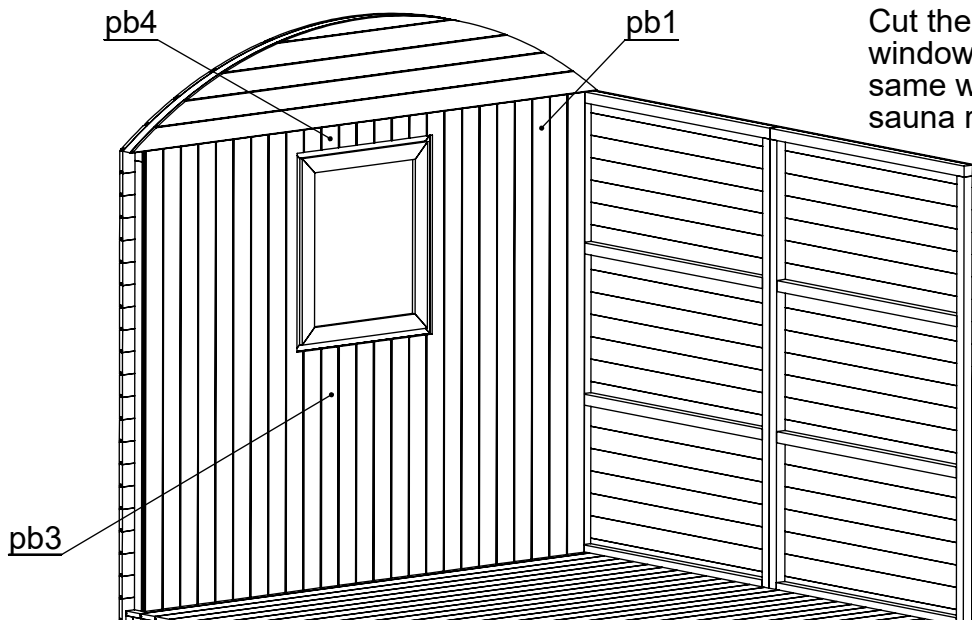


Connect all the arches as shown. Check dimension between arches.



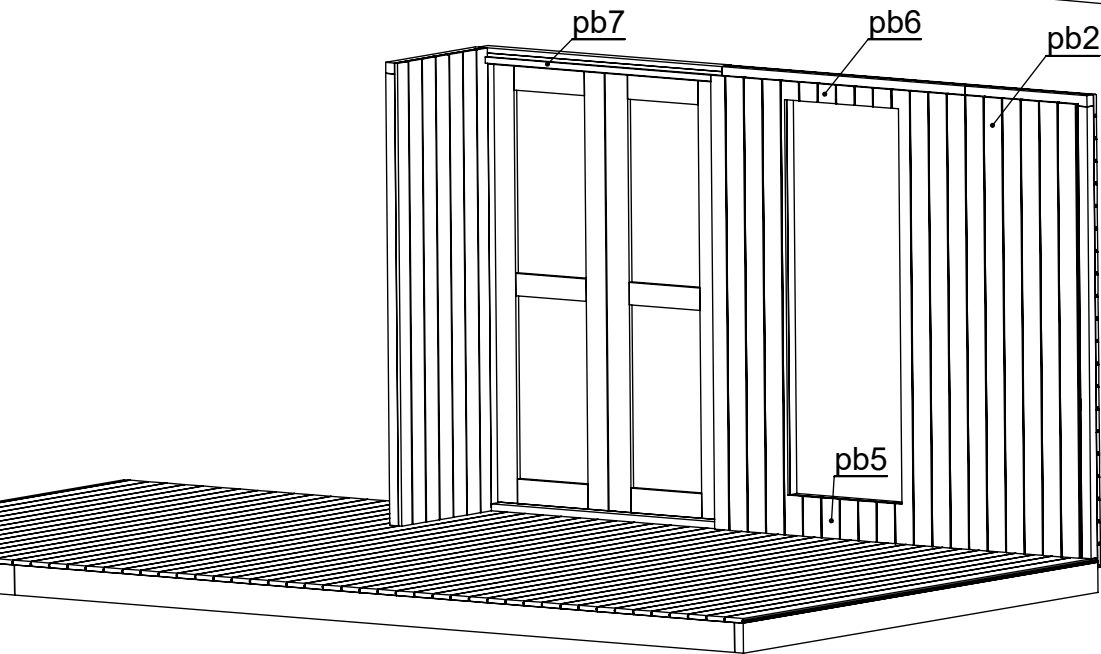
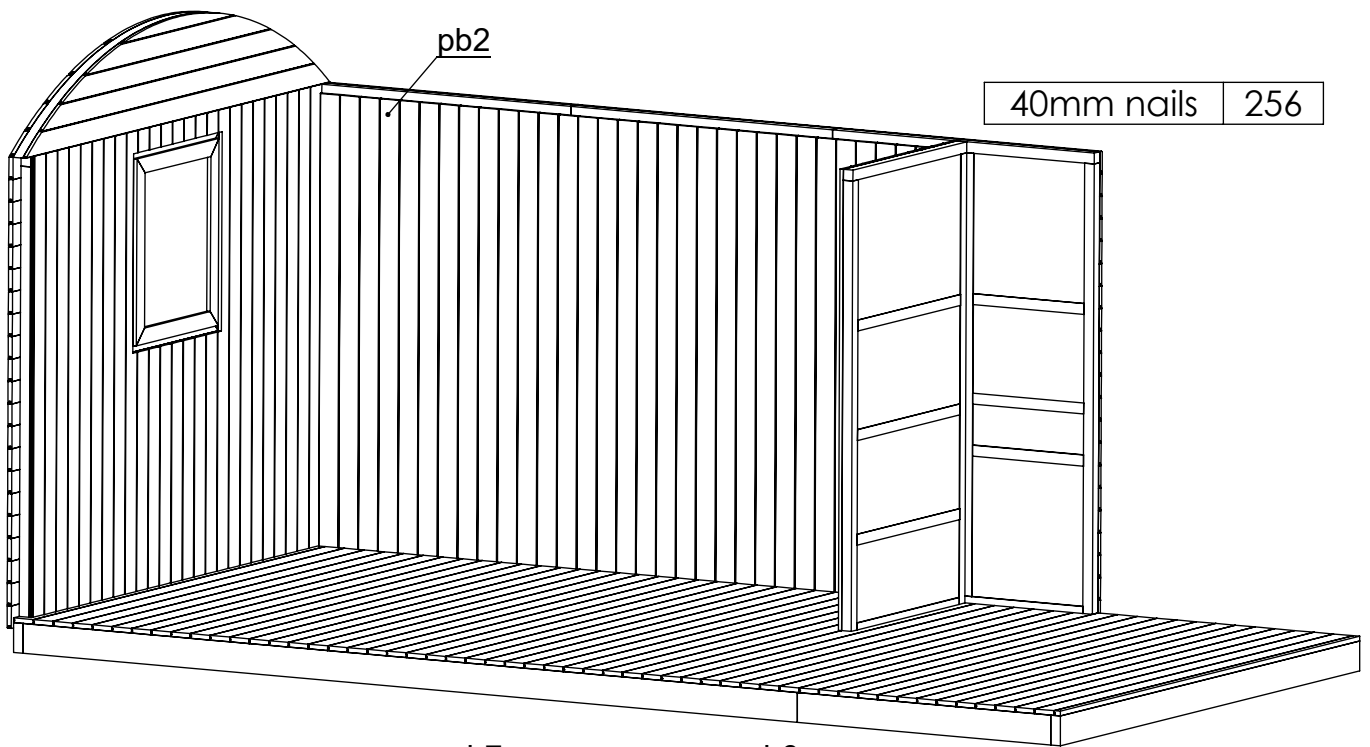
70mm screws	18
Metal bracket	18
40mm screws	72

Connect the panelboards with the 40mm nails. Cut the boards on the window edge. In the same way do this in sauna room.



40mm nails

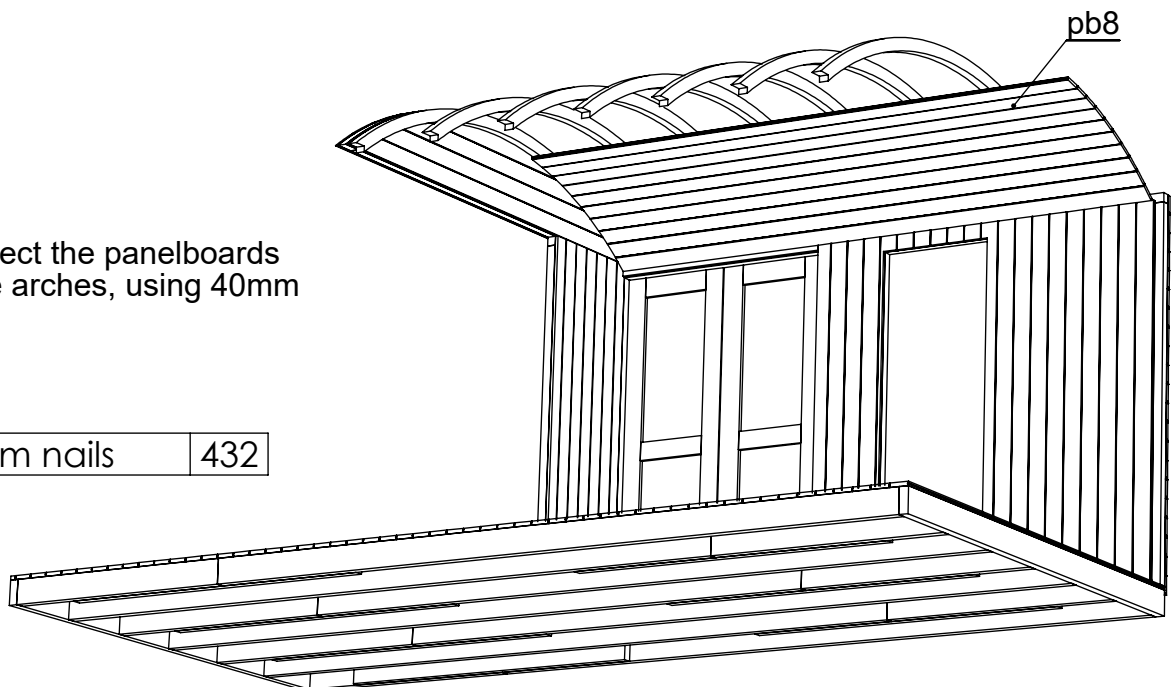
214



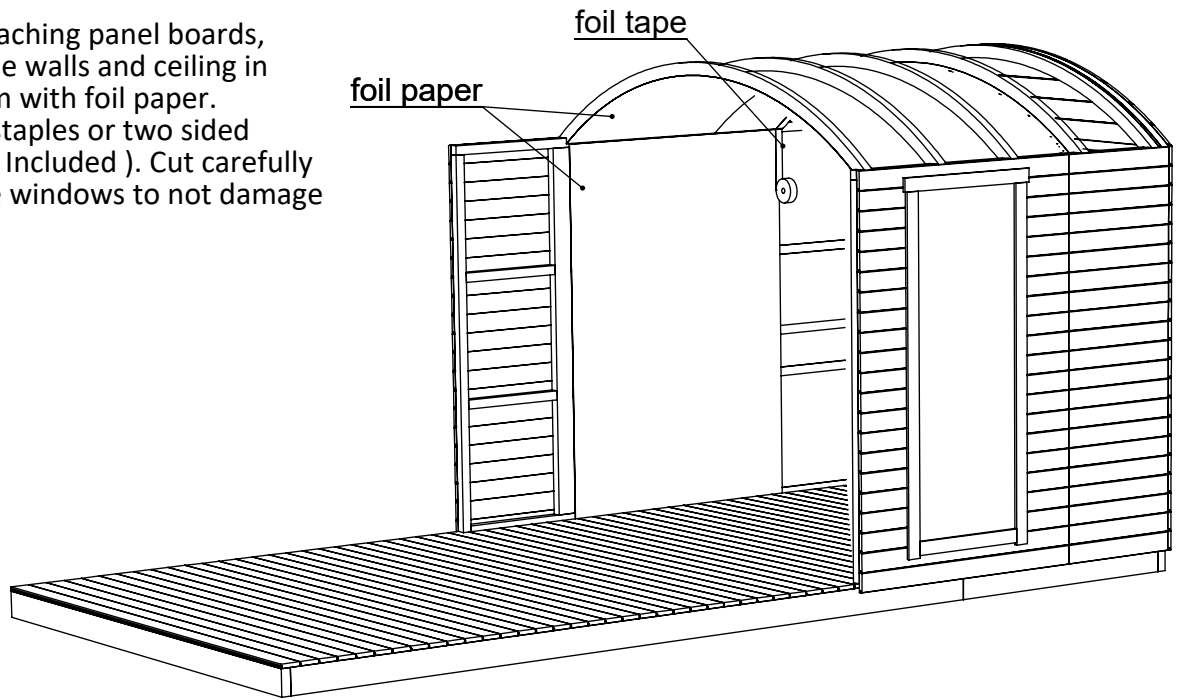
Connect the panelboards with the 40mm nails. Cut the boards on the window edge. In the same way do this in sauna room.

Connect the panelboards to the arches, using 40mm nails.

40mm nails	432
------------	-----

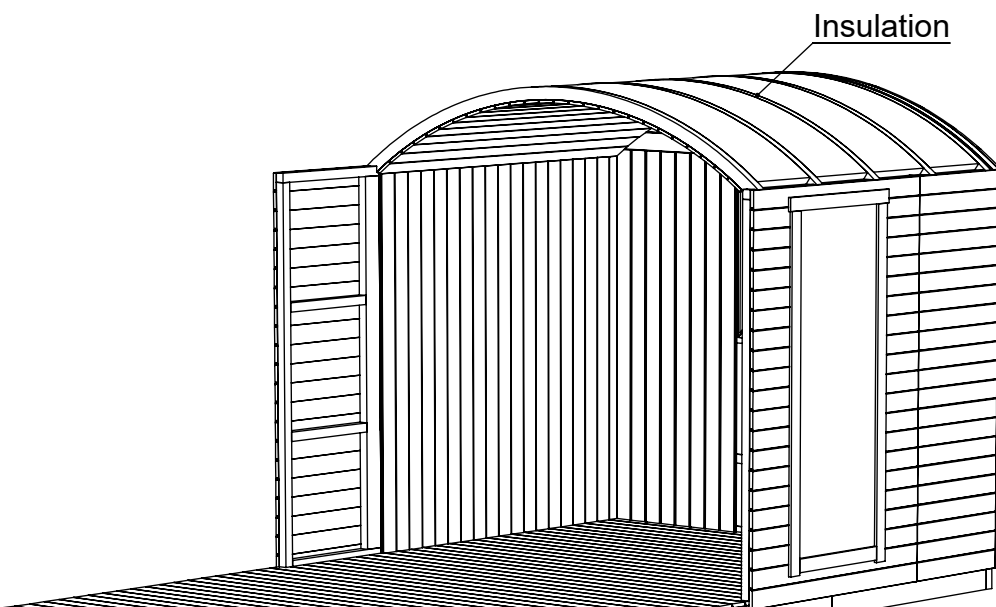
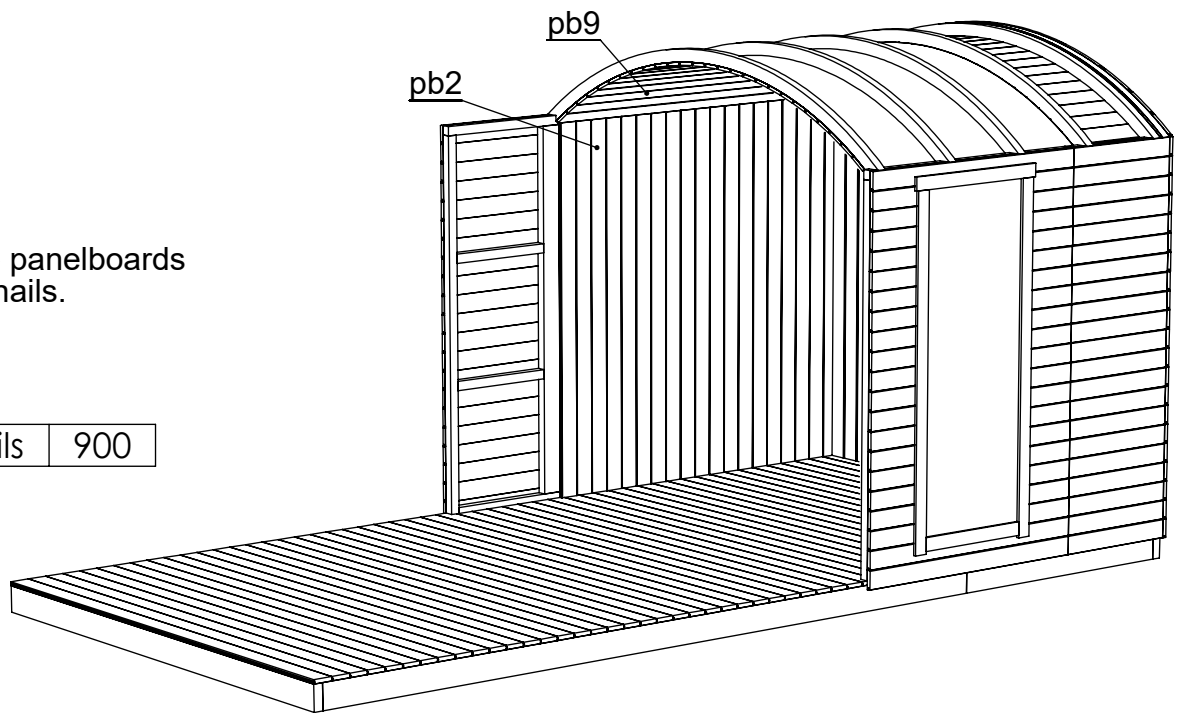


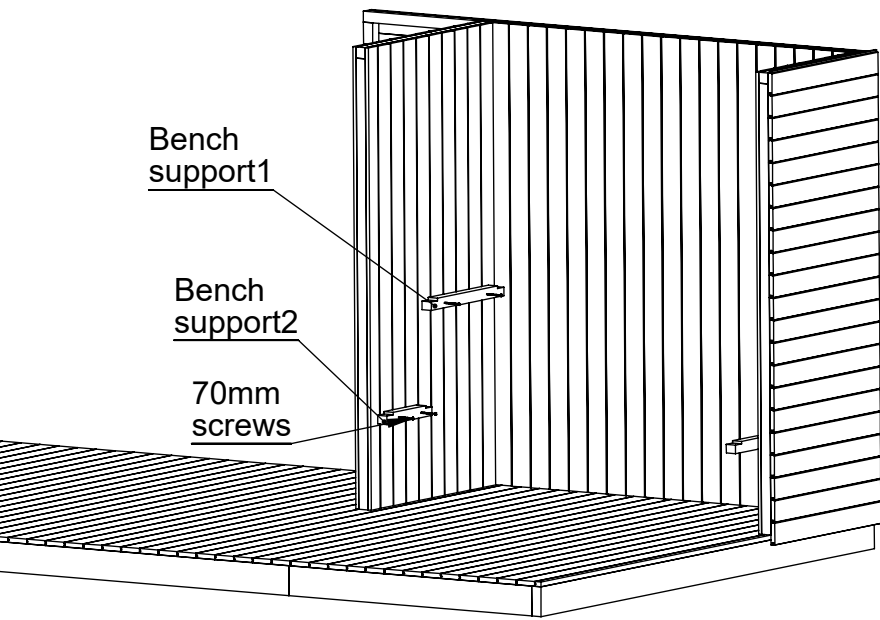
Before attaching panel boards, cover all the walls and ceiling in sauna room with foil paper. Use small staples or two sided tape (NOT Included). Cut carefully around the windows to not damage the glass!



Connect the panelboards with 40mm nails.

40mm nails	900
------------	-----





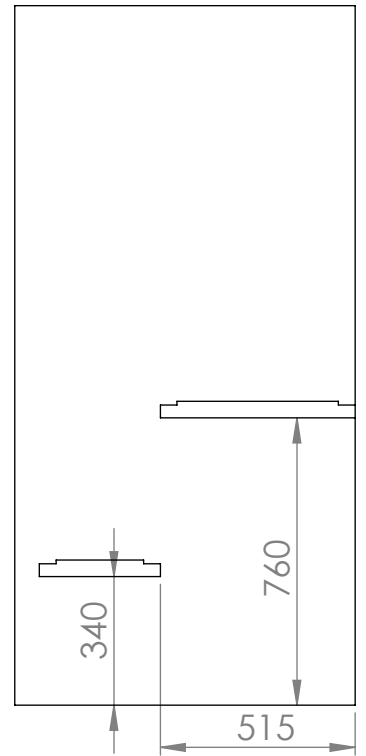
Bench support1

Bench support2

70mm screws

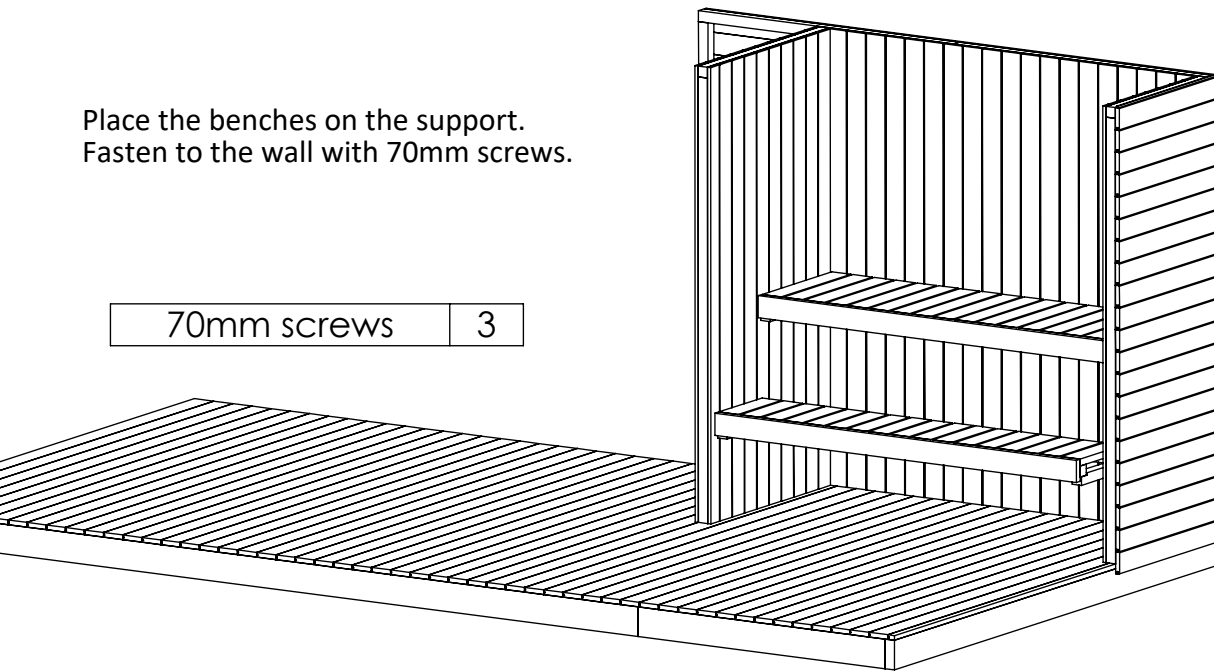
70mm screws	8
-------------	---

Use 70mm screws to connect the bench supports to the wall.
Check dimensions!



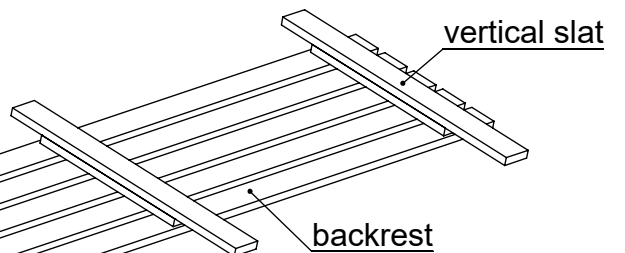
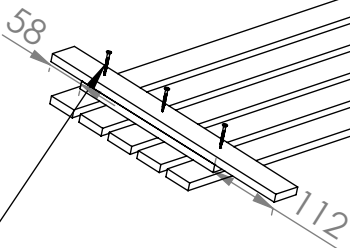
Place the benches on the support.
Fasten to the wall with 70mm screws.

70mm screws	3
-------------	---



Use 25mm screws to connect the vertical slats to the backrest, check the dimensions on drawings.

25mm screws

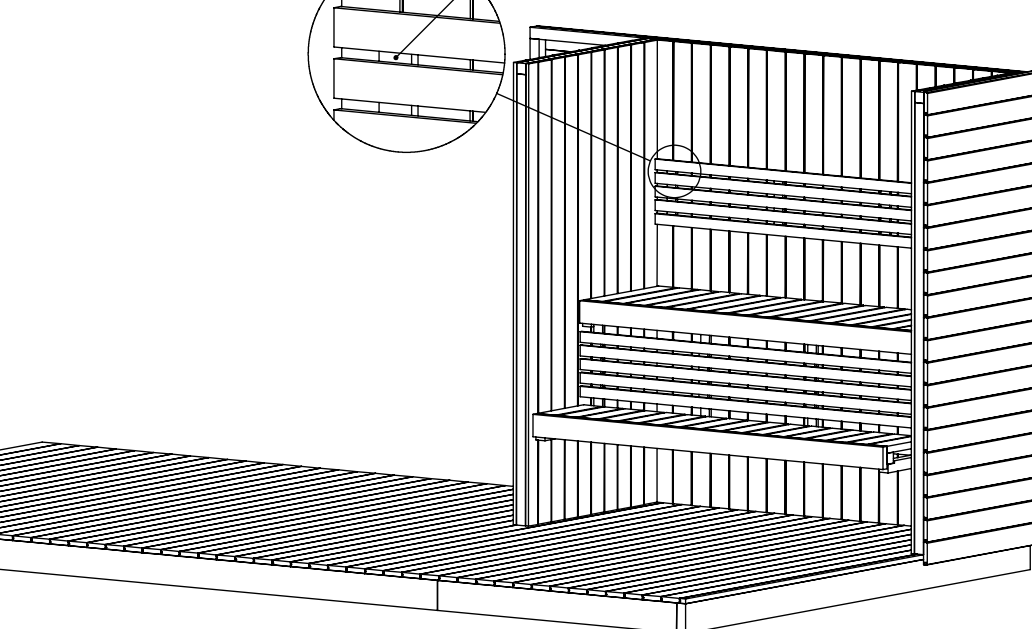
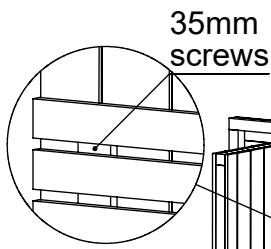
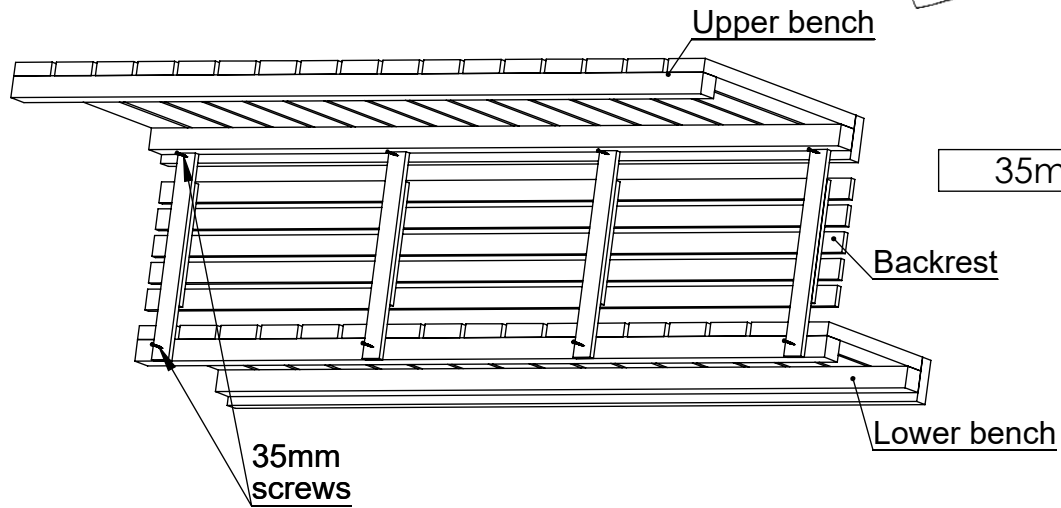


25mm screws	12
-------------	----

Attach the backrest between the upper and lower bench using 35mm screws.



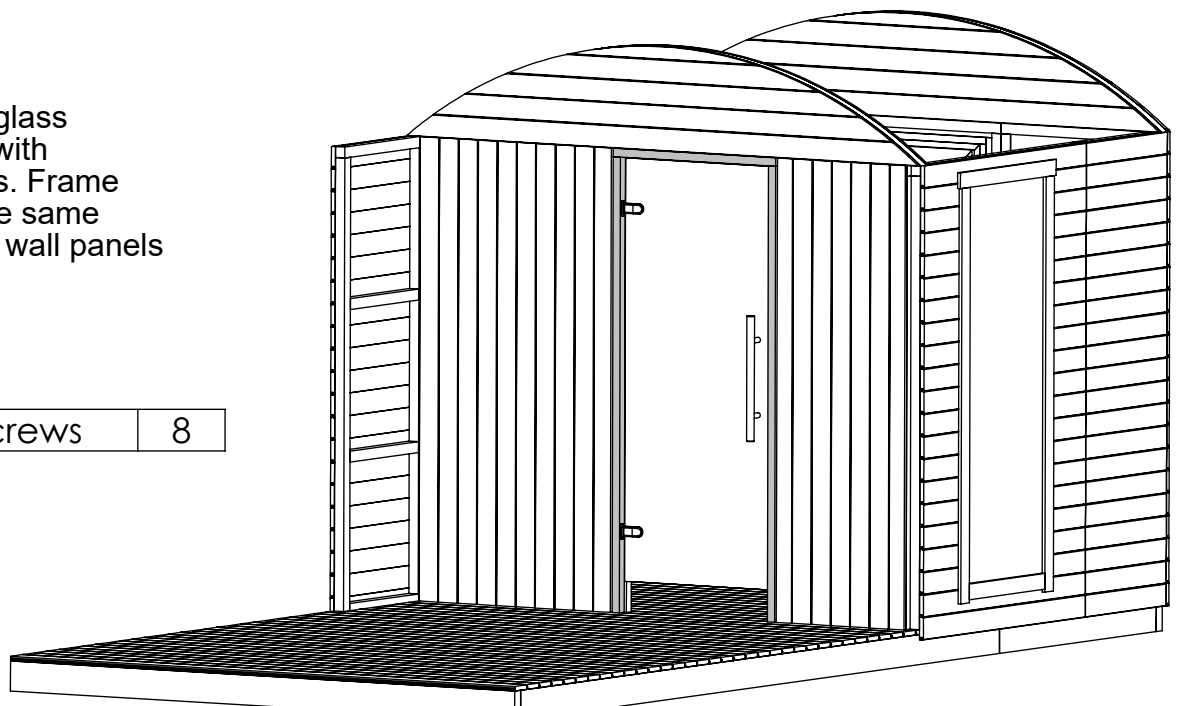
Drill the pilot holes for the screws

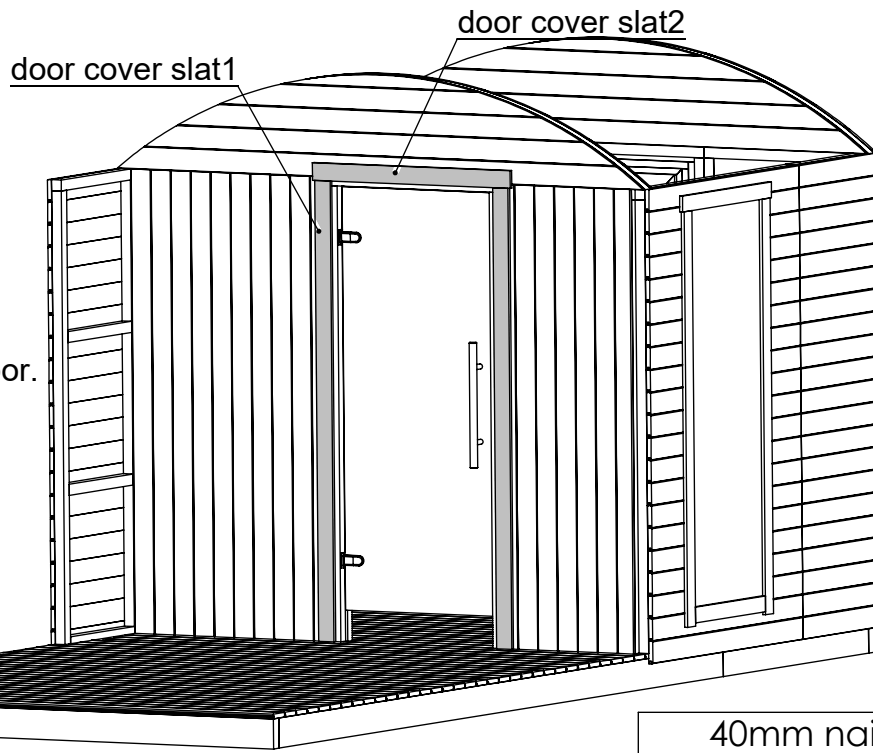


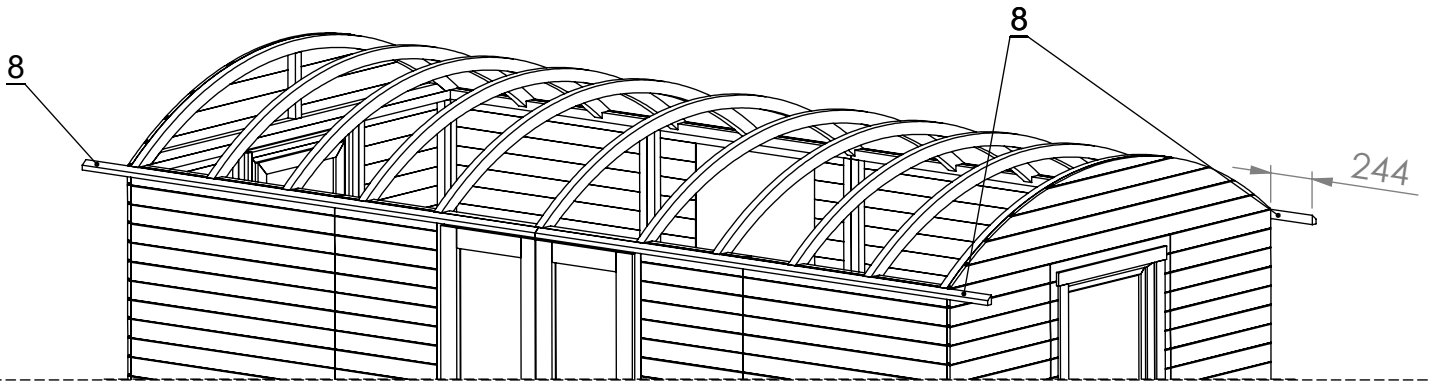
35mm screws | 8

Connect the glass door frames with 70mm screws. Frame must be in the same distance with wall panels in both sides.

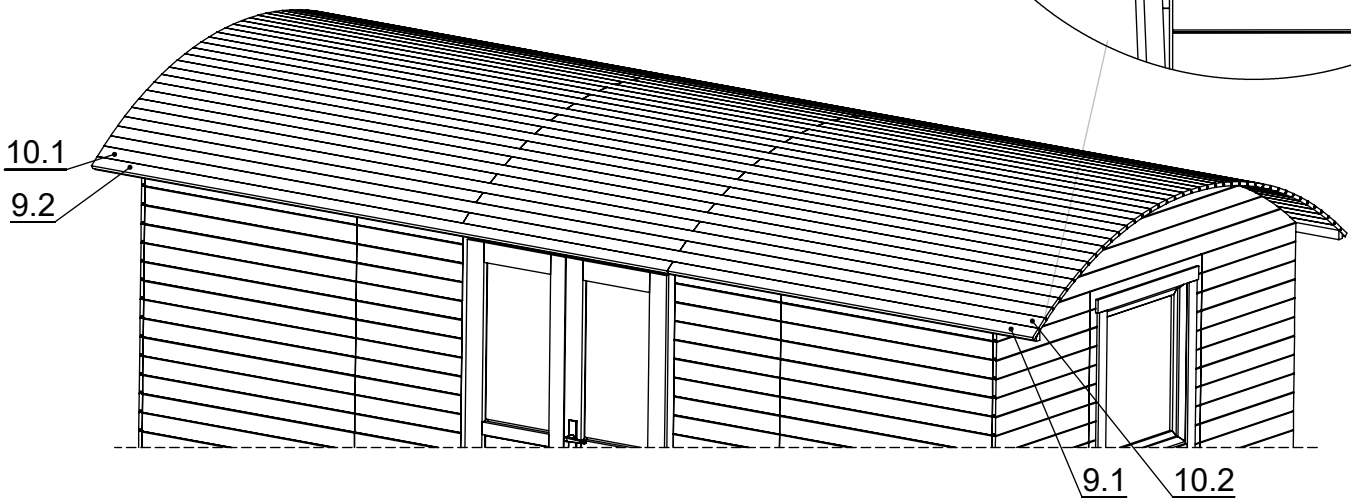
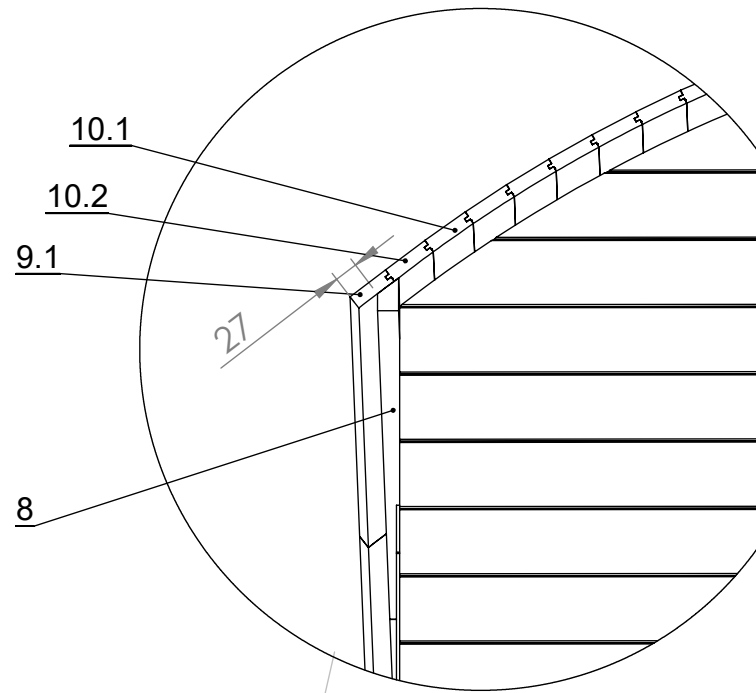
70mm screws | 8







60mm screws	24
-------------	-----------

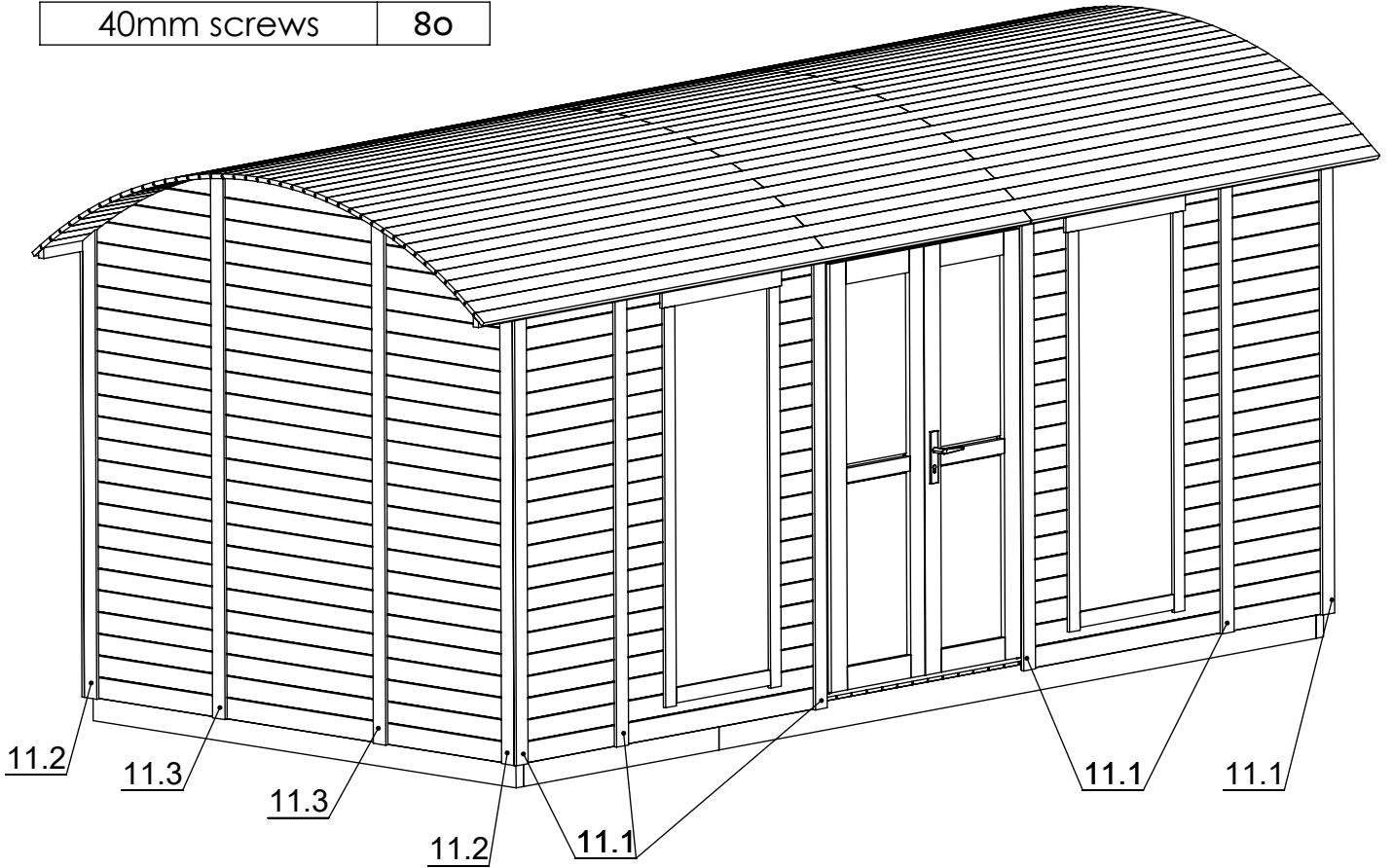


The first and last boards connect with 40mm screws

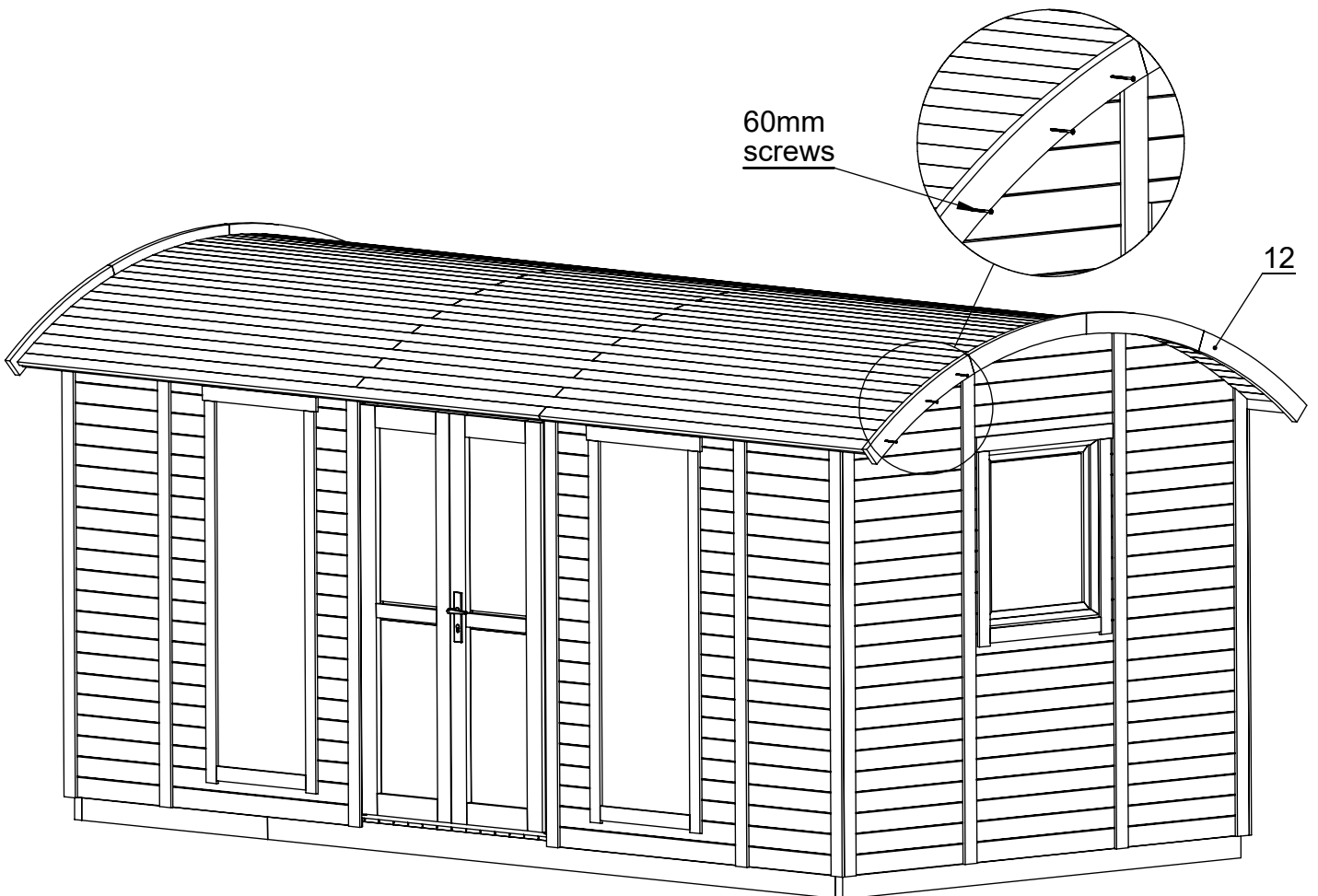
40mm screws	30
50mm nails	754

40mm screws

80

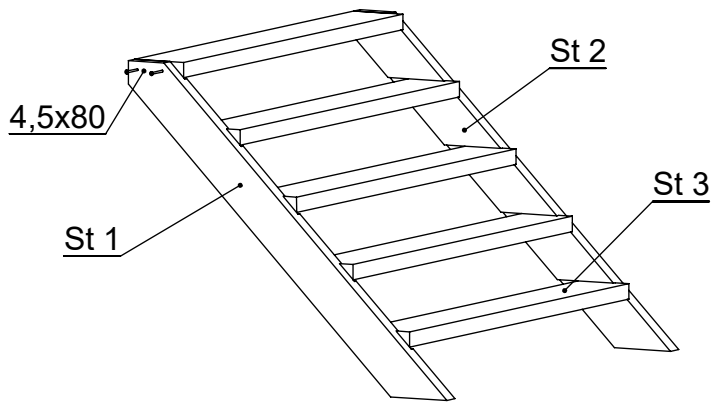


60mm screws

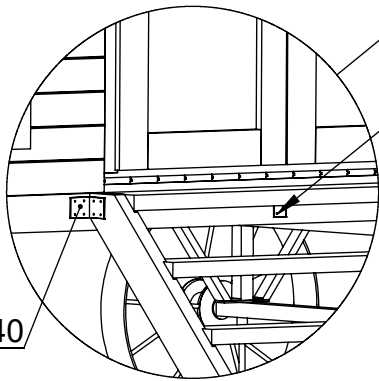
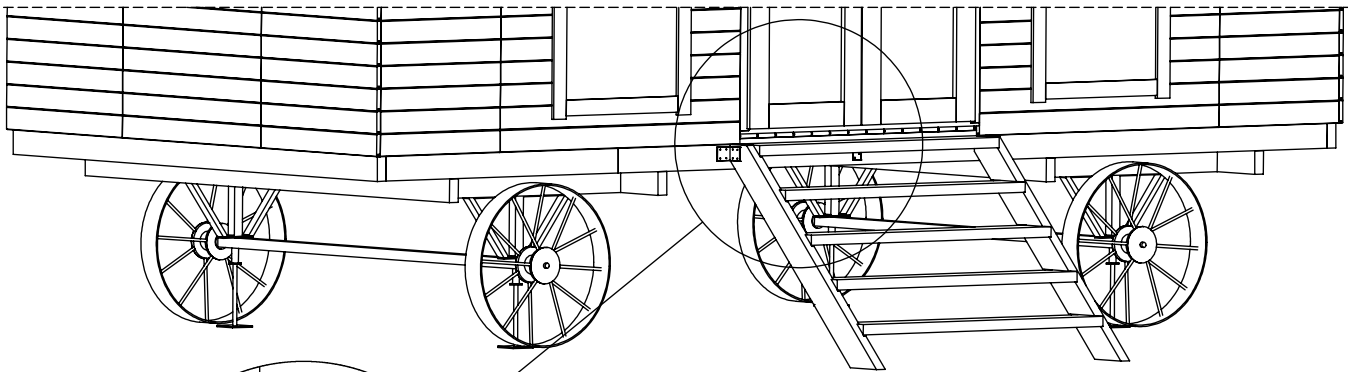


60mm screws

24



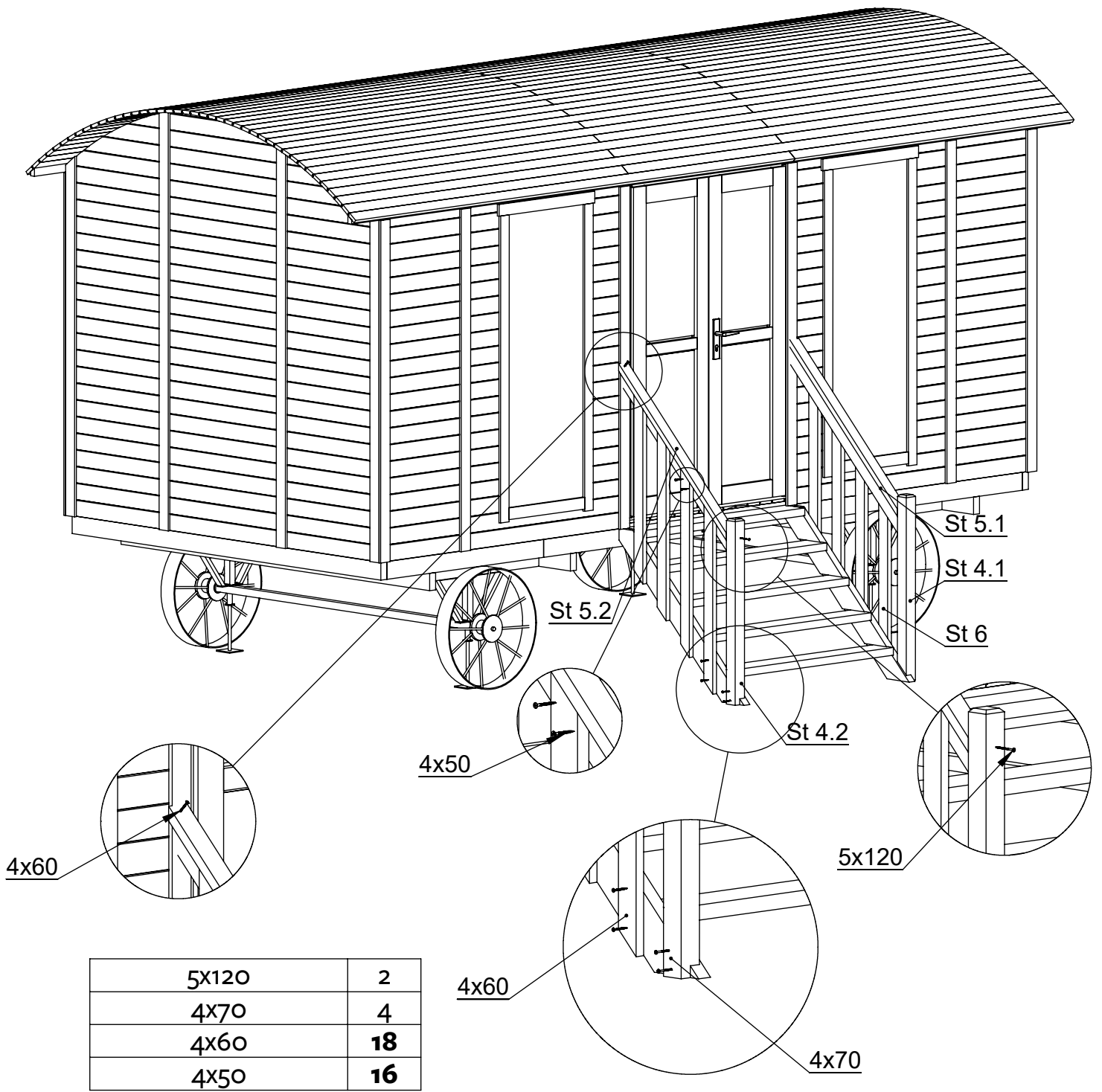
4,5x80	20
---------------	-----------



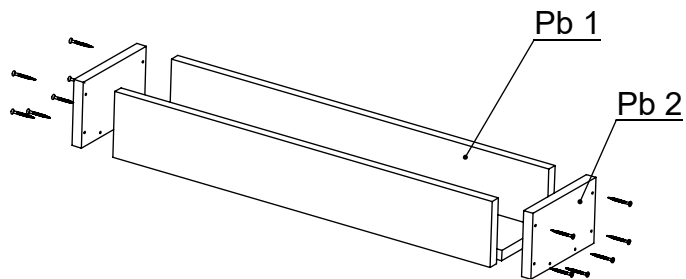
40x40x40

80x80x40

40x40x40	1
80x80x40	2
3,5x40	24



Planter box



3,5x40	28
---------------	-----------