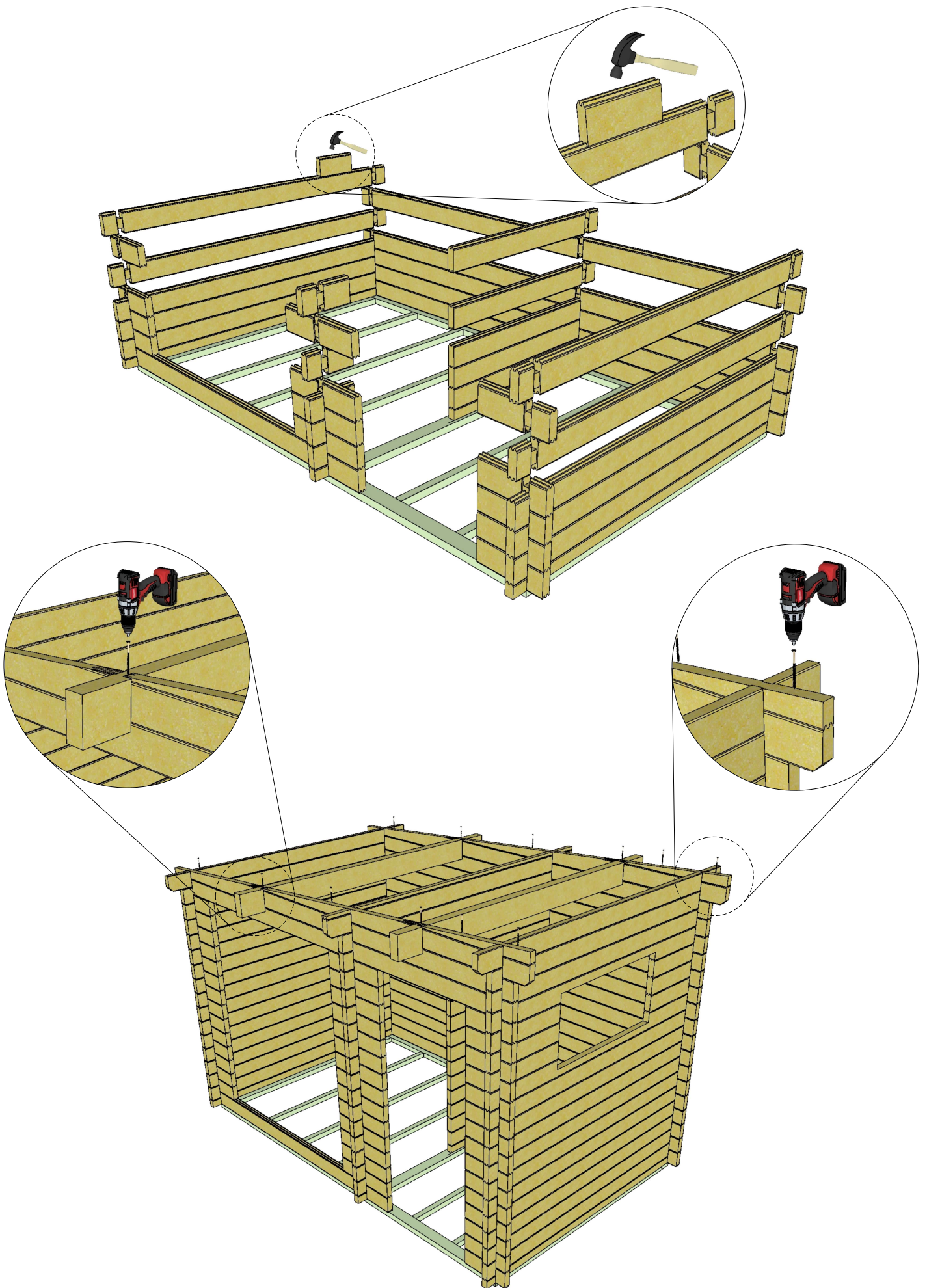


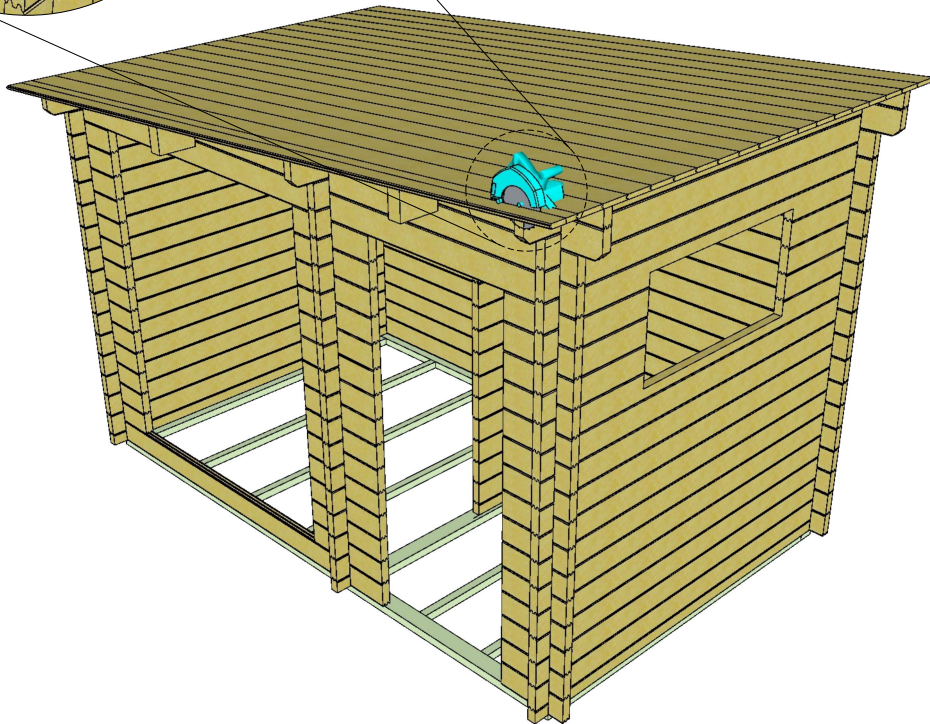
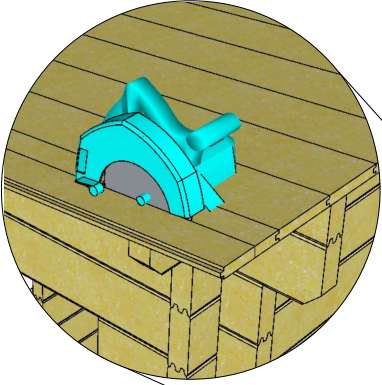
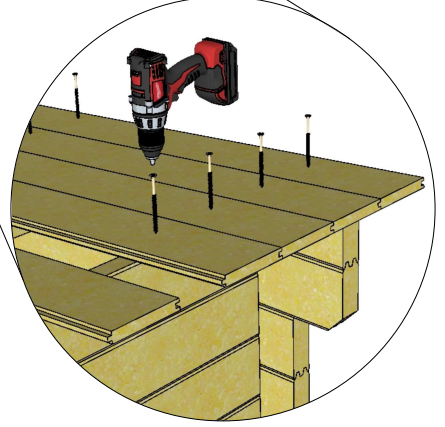
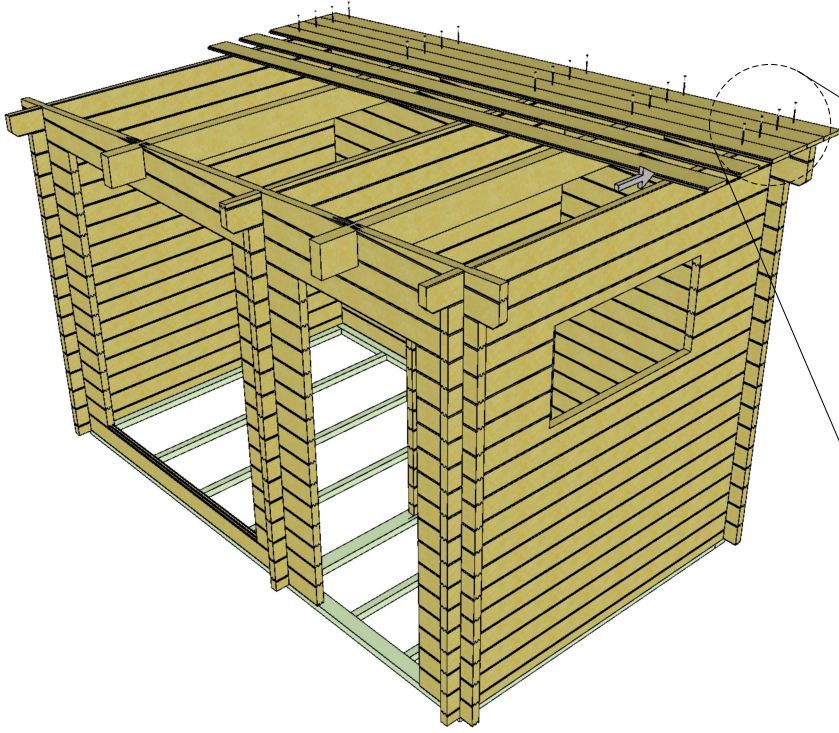
1

Groundframe / First wall row



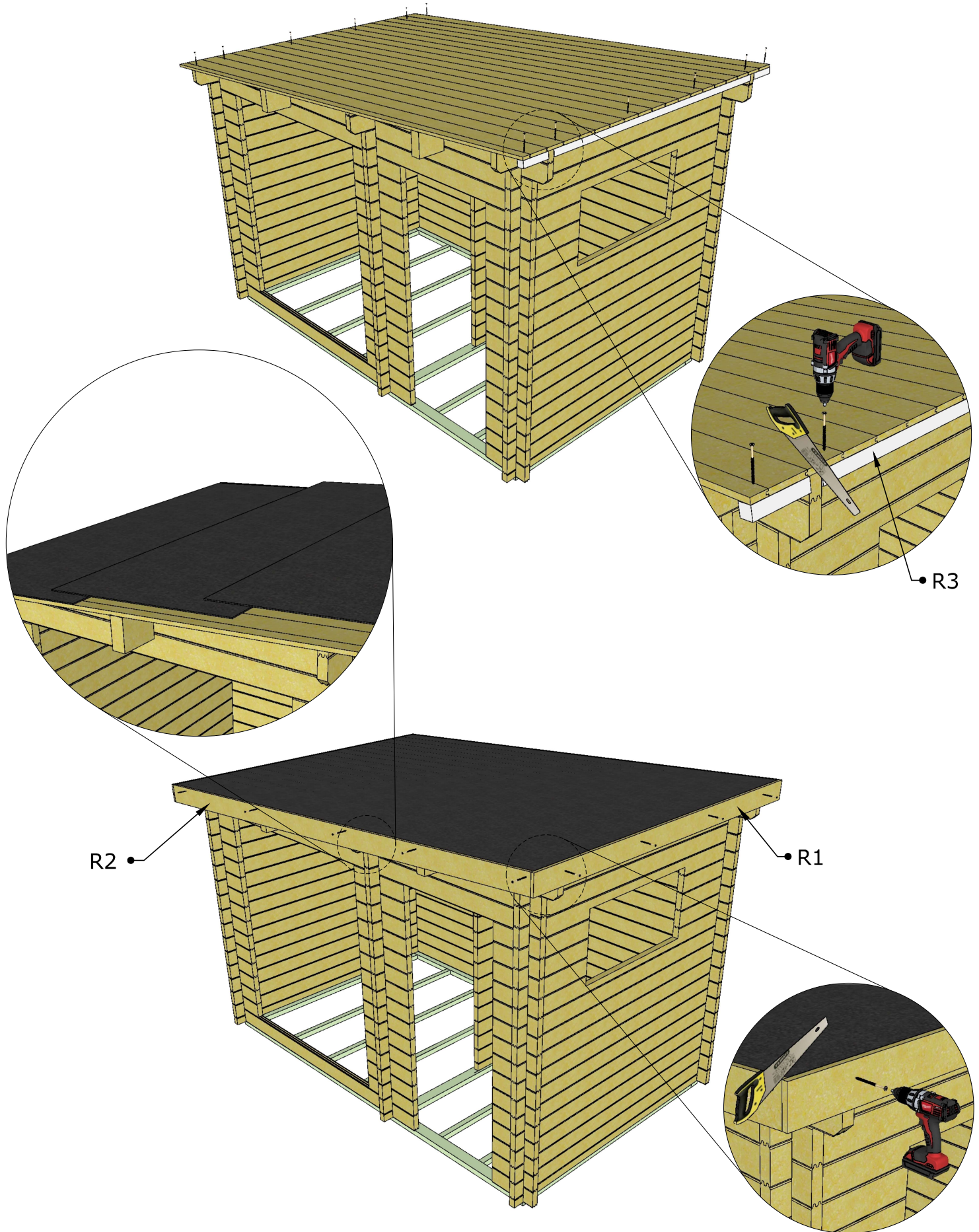
2

Installing walls / Purlins



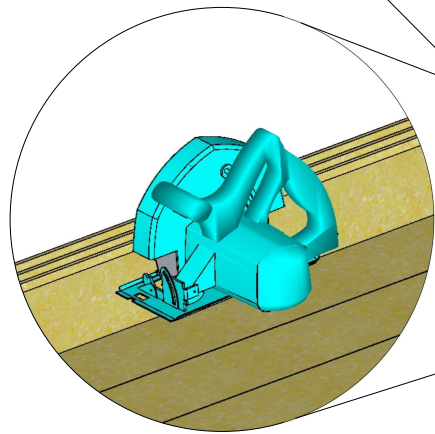
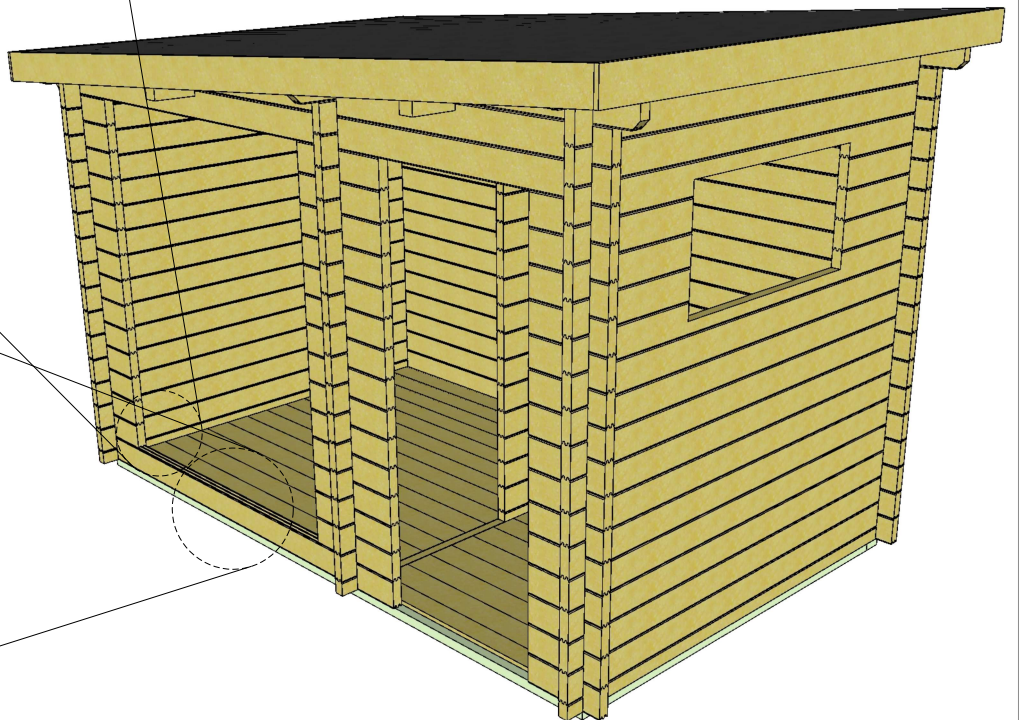
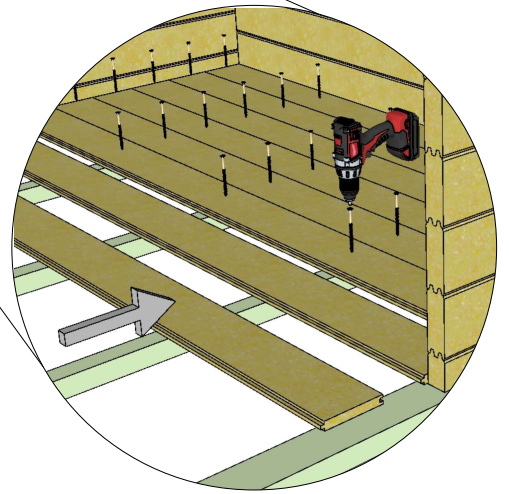
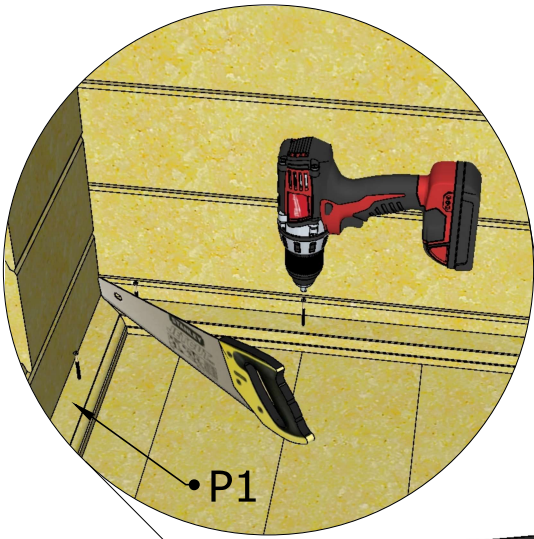
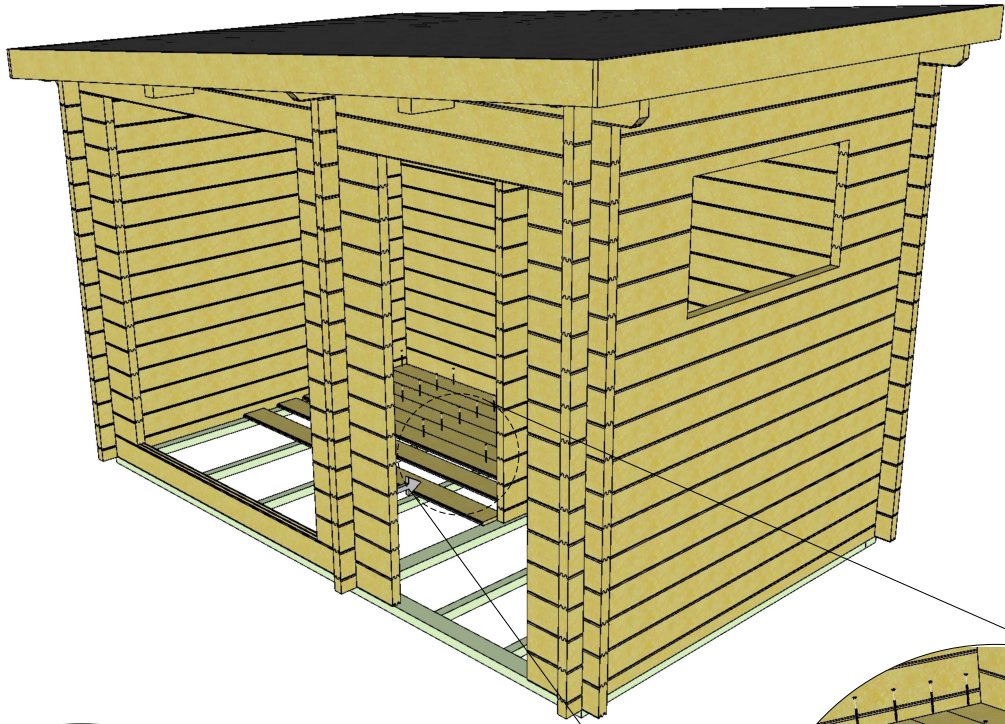
3

Roof boards



4

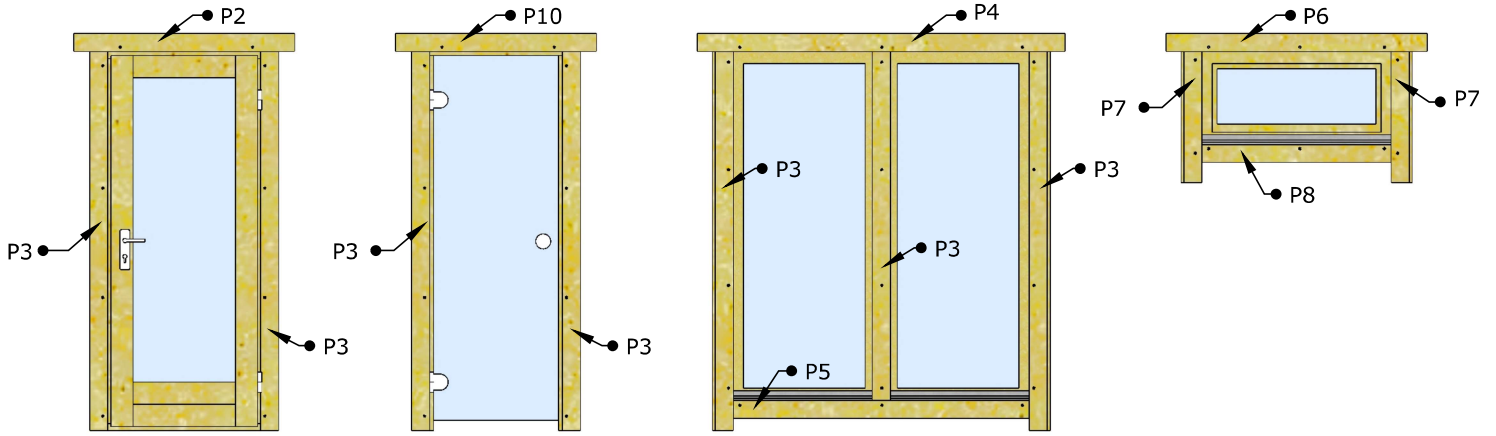
Roof cover / Covering strips



5

Floor boards

External slats



Internal slats

