

HOT TUB GENERAL USER MANUAL

Contents

HOT TUB INSTALATION	2
DESCRIPTION OF THE ASSEMBLY PROCESS	4
OPERATION AND MAINTENANCE	11
SAFETY PRECAUTIONS	14
STORAGE, SHIPPING, DISMANTLING AND UTILIZATION	16
HEATING HOT TUB	17
SAFETY	19
AFFTER USING	22
WARRANTY.....	24

Please take time to read these instructions BEFORE using your hot tub.

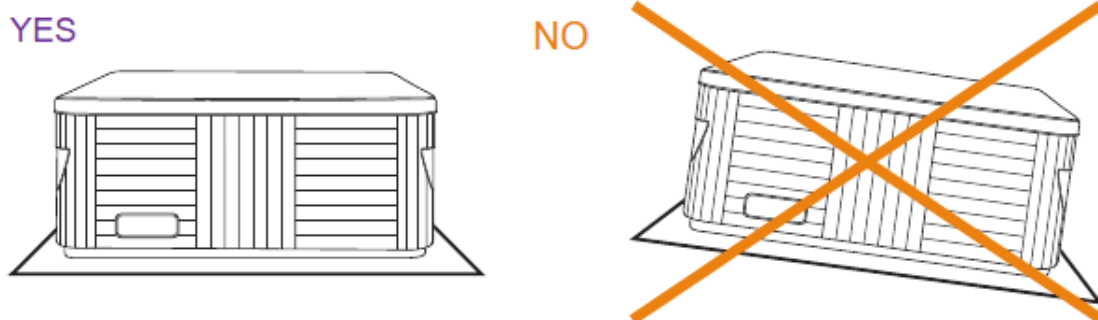
HOT TUB INSTALATION

This section details the correct installation procedure for the hot tub. Be careful when moving the product, as it is quite heavy.

Choice of location.

In selecting the ideal outdoor location for your spa, we suggest that you take into consideration:

1. The proximity to changing area and shelter (especially in colder weather).
2. The pathway to and from your spa (this should be free of debris so that dirt and leaves are not easily tracked into the spa).
3. The closeness to trees and shrubbery (remember that leaves and birds could create extra work in keeping the spa clean).
4. A sheltered environment (less wind and weather exposure can result in lowered operation and maintenance costs).
5. The overall enhancement of your environment. It is preferable not to place the spa under an unguttered roof overhang since run-off water will shorten the life expectancy of the spa cover.
6. For spas that are to rest on balconies, roofs or other platforms not specifically tied into main structural support, consult a professional Structural Engineer with experience in this type of application.
7. In the unlikely event that you should ever need to access or gain entry to any portion of the spa for servicing, it is highly recommended that you plan your outdoor installation to provide full access to the spa.



A concrete slab is best but not required. You may choose to install it on a wood deck or bricks. If you choose to install your hot tub on a raised deck, we suggest you contact a structural engineer to confirm the surface will hold a hot tub filled with water. Settlement of your deck or slab may result in damage to the hot tub, which is not covered by warranty.

Wherever you plan to install your hot tub, be sure the surface is flat and solid. Locate your hot tub so that the equipment is above grade and not subject to flooding. Water should always drain away from the hot tub. If you are placing your hot tub next to an obstacle, such as a fence or wall, be sure that you place the hot tub with the topside primary control panel facing forward for easy equipment access. This is where cool air will enter, and warm air will escape during hot tub operation. Please ensure that these areas are always free of obstructions. Also, allow additional space around the hot tub for any accessories you may have purchased – for example – spa cover lift, steps, or a gazebo. Check with your dealer on these additional space requirements.

The foundation can be levelled with chips, cast with concrete, or covered with slabs. It's important that all the supporting bars of the base frame lay on the surface, including the circular support bar in the centre.

The external wood-fired heater (in applicable models) must be at the same level as the hot tub

to ensure proper water circulation. You must not position the heater higher or lower than the base of the hot tub. It's important that the base on which the hot tub is placed must be stable, levelled, even, and can bear the weight of the hot tub (a hot tub filled with water can weigh around 2000kg). This highlights the importance of preparing an appropriate surface to carry such a load. It is not recommended to place the hot tub directly on the lawn. An even surface also ensures proper air circulation under and throughout the wooden panelling. This minimizes moisture build-up. Make sure that the bearing surface is completely balanced.

Removal of packaging.

Round hot tubs – do not cut the white strap prior to laying hot tub flat. First of all, lay the bath tub flat on the surface, then remove the first layer of wrapped plastic. Cut the white straps, remove the next layer of plastic, then remove the bubble wrap. Take out the cardboard in the vat as well as the flue stowed in the base frame. There may be additional parts stored in the stove (depending on a model). If using sharp object such as scissors, knives and others, make sure not to damage the thermo cover or the hot tub itself.

Square hot tubs – there is no special procedures for the square hot tubs since they are arriving flat. You just need to remove couple layers of plastic wrap and a bubble wrap. If using sharp object such as scissors, knives and others, make sure not to damage the thermo cover or the hot tub itself.

INSTRUCTION OF USING ACRYLIC HOT TUB

- The hot tub is to be positioned on a flat, stable, solid base.
- We do always recommend putting the polystyrene layer under the plastic hot tub. It will reduce the energy loss and will make the water drain easier.
- **One should fill the tub with 90 cm of water or above the stove connection before starting the fire.**
- The heater must be started just after the water covered the lower part of the chimney, otherwise the acrylic hot tub walls will be deformed.
- When heating the water in the tub, one needs to stir the water occasionally.
- One can use into the tub when temperature of the water reaches 38-42 degrees Celsius.
- Before using the tub, it is recommended to use the shower. It is recommended to use the shower before using the hot tub (water keeps fresh longer). Water should be changed as needed.
- Water is released by unscrewing the drain valve after the use. The acrylic hot tub should be washed. It is allowed to use of all disinfectants approved by the sanitary authorities.
- The ashes from the heater are removed with the help of a shovel and rake. The filters (a sand filter and the UVC filter) are used to clean the water. The sand filter removes the organic particles and UVC filter kills the bacteria exposing them to ultraviolet light. It is said that by using these two filter systems together, the need for water chemicals diminishes up to 80 %. If you still feel that water additives are needed, we recommend using special chemicals suitable for acrylic hot tubs.
- Use other chemicals and methods at your own risk.
- Please filter the water up to 35 °C and keep the filter min 2m away. After the filtration process is finished, place the filter under the wooden box which is usually delivered together with the filters.
- Please note that wood is a natural material which will expand and shrink depending on the humidity changes. Due to ageing, the acrylic surface can slightly change the colour (some level of discoloration might be visible), might appear the tiny dots on the surface due to abrasion. To protect the hot tubs surface we recommend covering hot tub with thermo cover.

A GUIDE TO USING THE HEATER

This description represents these types of hot tub heaters:

Integrated heater stainless steel set AISI 304

Integrated heater stainless steel set AISI 316

(When integrated heater is unpacked, you must make sure that non-compliance was found. If any doubts occurs, any heater should not be used at all and contact a manufacturer or dealer for further guidance is recommended.)

DESCRIPTION OF THE ASSEMBLY PROCESS

Assembly parts of integral hot tub heater. All the parts listed below comes with a standart integral heater set (see Fig. 1) and are:

- integral heater (1 pcs.)
- Ash drawer (1 pcs.)
- Heater doors with glass (1 pcs.)
- Ash grates (1 pcs.)
- Chimney elbow (1 pcs.)

The manufacturer also provides an extra parts (see Fig. 2), which can be delivered at the client's request. All these parts are optional, and can be purchased for additional fee. Chimney tubes are different parts, and each of them has its own assembling order, therefore chimney should be assembled carefully and following the assembly scheme provided by the manufacturer.

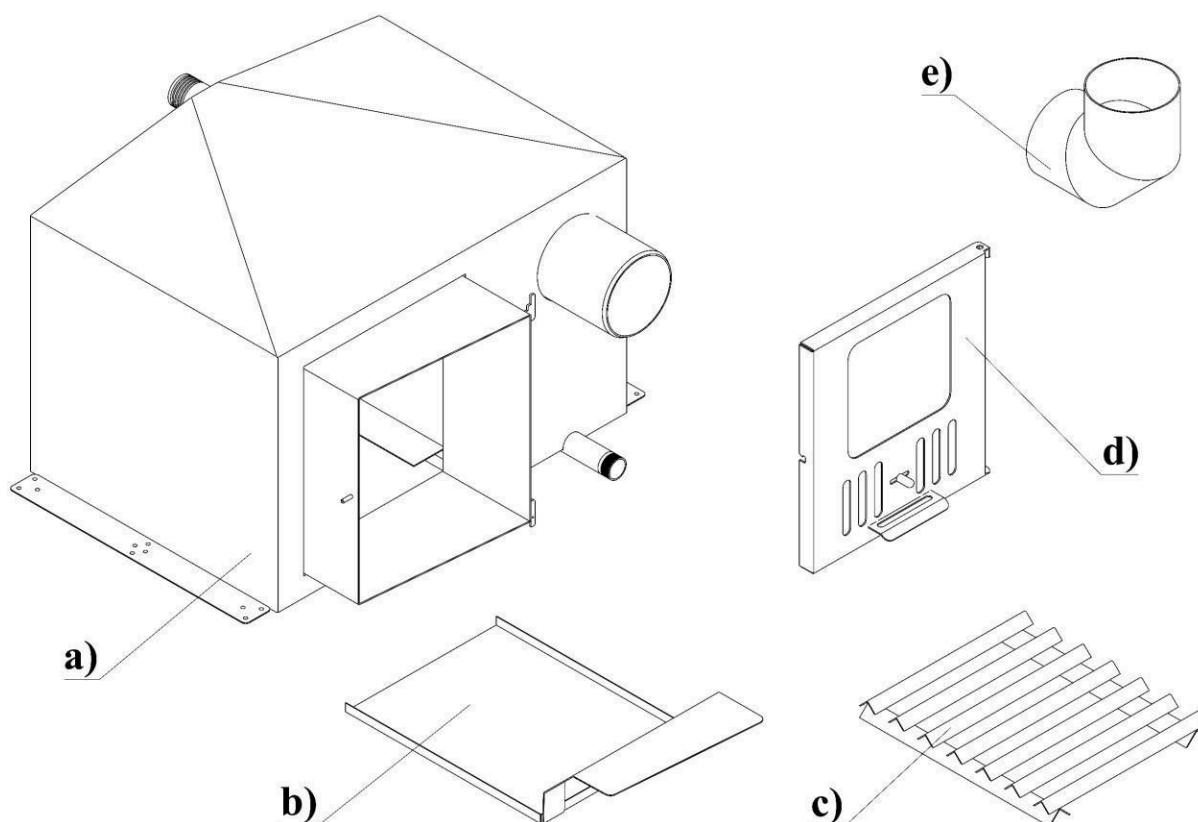


Figure 1. The standart heater set:

a) integral heater; b) ash drawer; c) ash grates; d) heater doors with glass; e) chimney elbow.

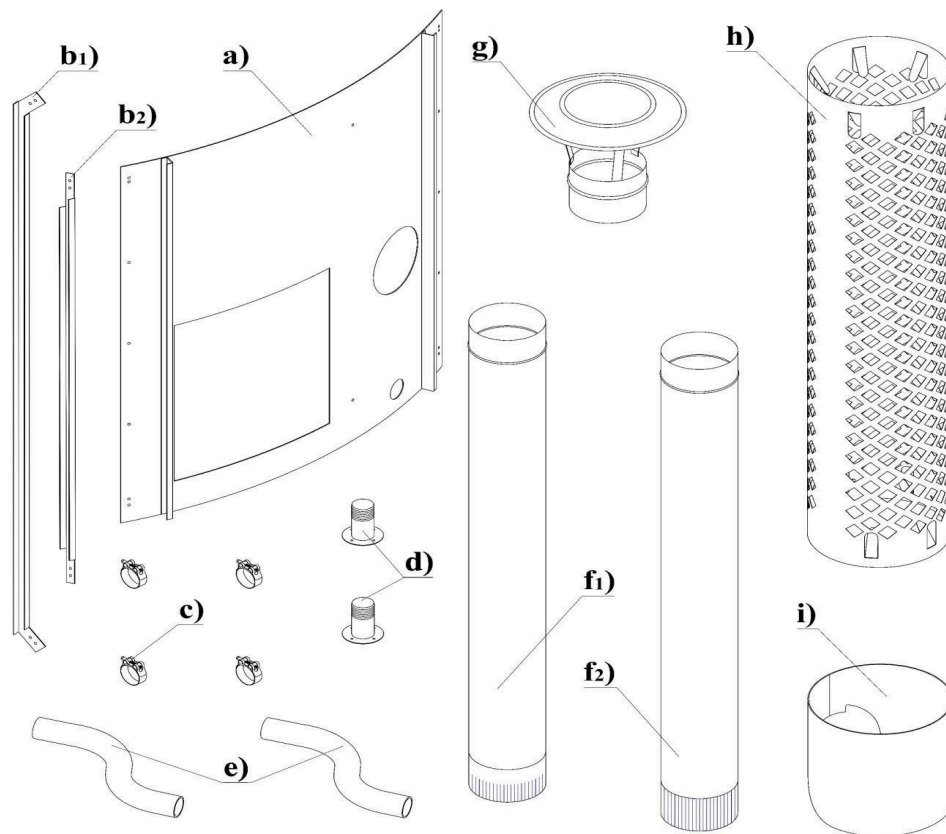


Figure 2. The optional equipment* for integral heater:

- a) heater front protection; b₁) initial heater holder; b₂) subsequent heater holder; c) water hose clamps (4 pcs.); d) hot tub connectors (2 pcs.); e) hot tub connection hose (2 pcs.); f₁) initial chimney tube; f₂) subsequent chimney tube; g) chimney cap; h) chimney guard; i) chimney elbow guard.

Preparation for the assembly. Prior to commencement of the assembly process all the parts from integral heater set, should be inspected in order to determine which of them are covered in a protection film. All parts covered in a protection film should be peeled off and the use of protective gloves is recommended to avoid hand cutting into the sharp edges of the parts (see Fig. 1). This step basically is needed to be done by the end users.

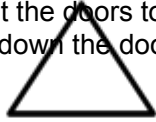
* - optional equipment does not belong to a standard set of integral heater and should be purchased separately.

Assembly steps of integral hot tub heater.

The integral hot tub heater must be assembled by running through a key steps recommended by the manufacturer to be absolutely sure the assembly is done correctly:

- Step 1. Attach the integral heater to a hot tub (see Fig. 3).
- Step 2. Attach the integral heater front protection to a hot tub (see Fig. 4).
- Step 3. Attach the chimney elbow to integral heater (see Fig. 5).
- Step 4. Attach the chimney to integral heater (see Fig. 6).
- Step 5. Put in the ash grates inside the integral heater (see Fig. 7).
- Step 6. Put in the ash drawer inside the integral heater (see Fig. 8).

Step 7. Mount the doors to integral heater (see Fig. 9)
Step 8. Lock down the doors of integral heater (see Fig. 10).



IMPORTANT NOTE :

! The dimensions shown must be maintained in all cases!

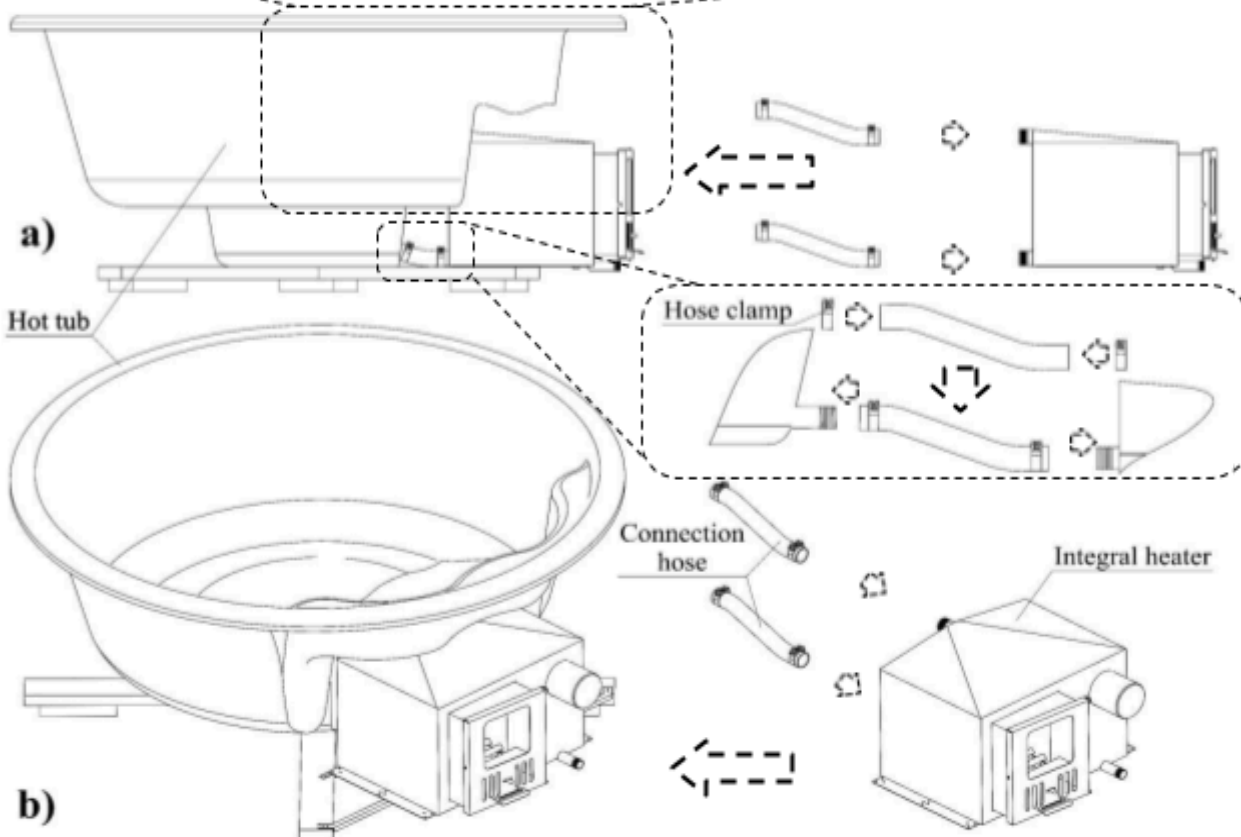
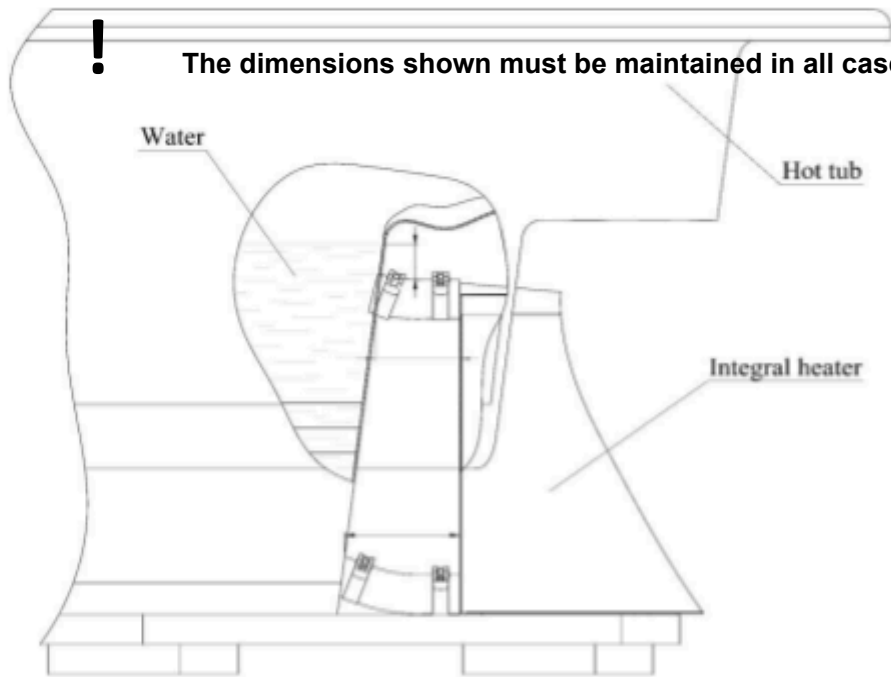


Figure 3. Attachement of integral heater to a hot tub (*Assembly step 1*).
a) front view; b) spatial view.

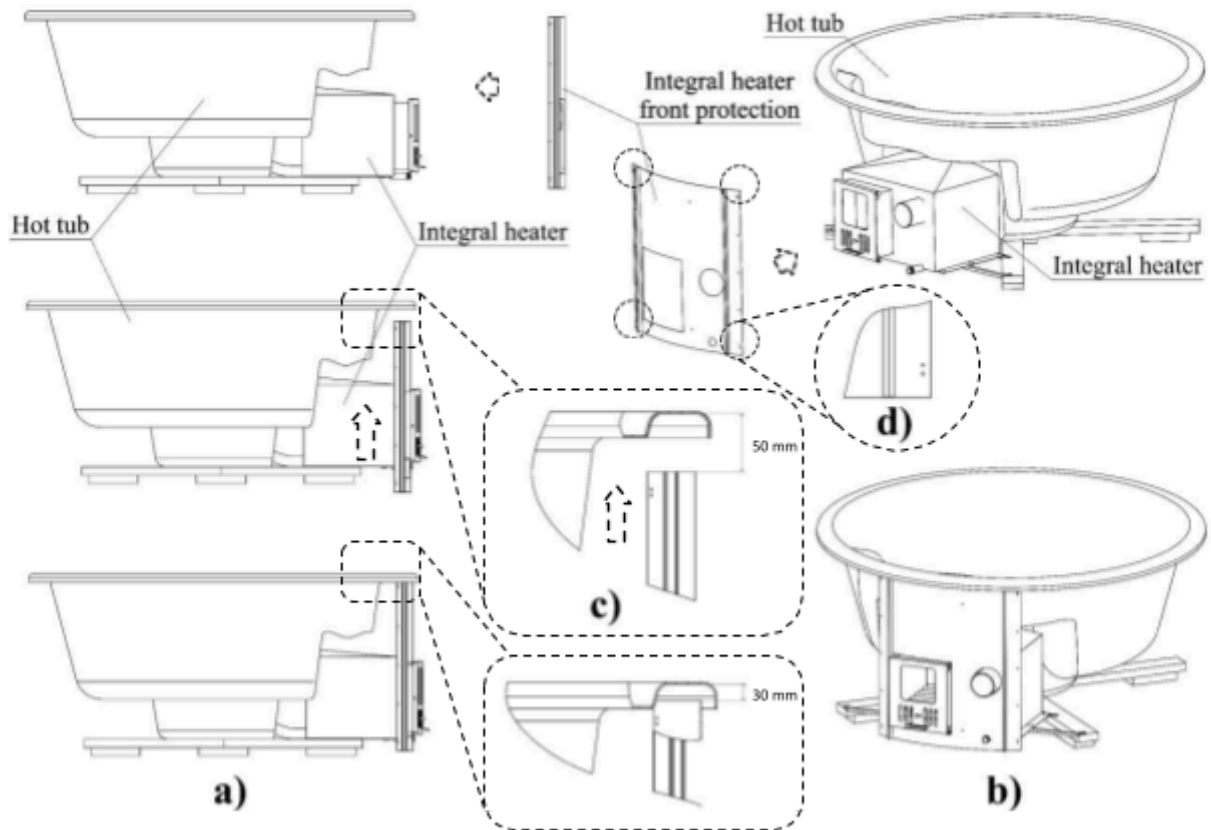


Figure 4. Attachement of integral heater front protection to a hot tub (*Assembly step 2*).
a) side view; b) spatial view; c) alignment distances of front protection (from the inner side of the rim) ; d) mounting points of front protection (two holes for adjustment).

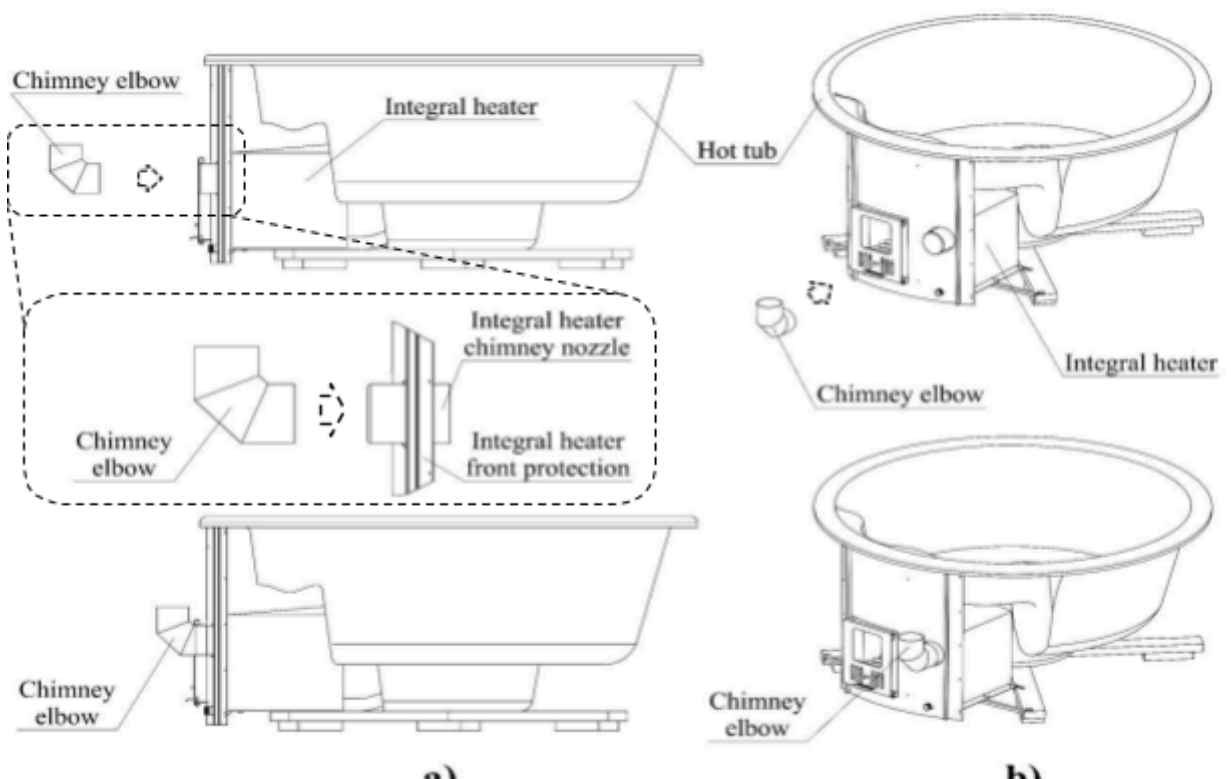


Figure 5. Attachment of the chimney elbow to integral heater (*Assembly step 3*).
 a) side view; b) spatial view.

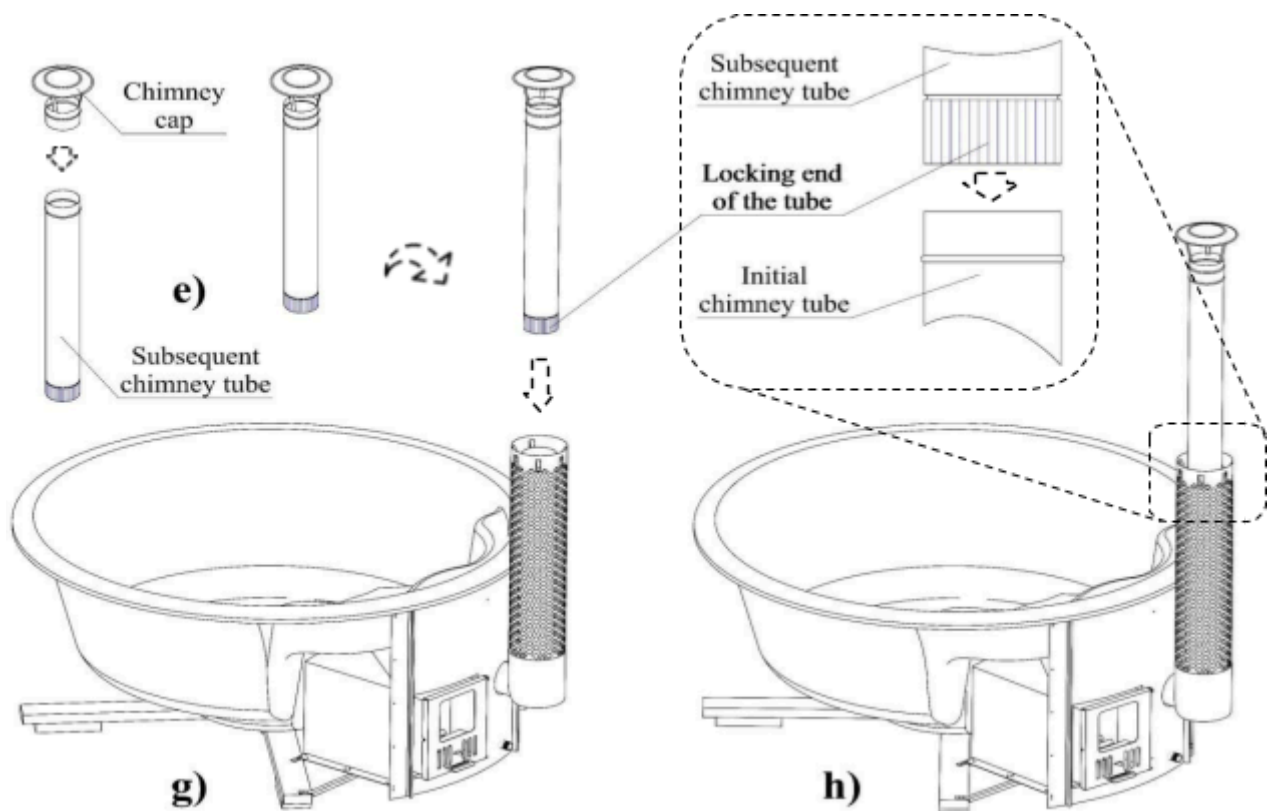
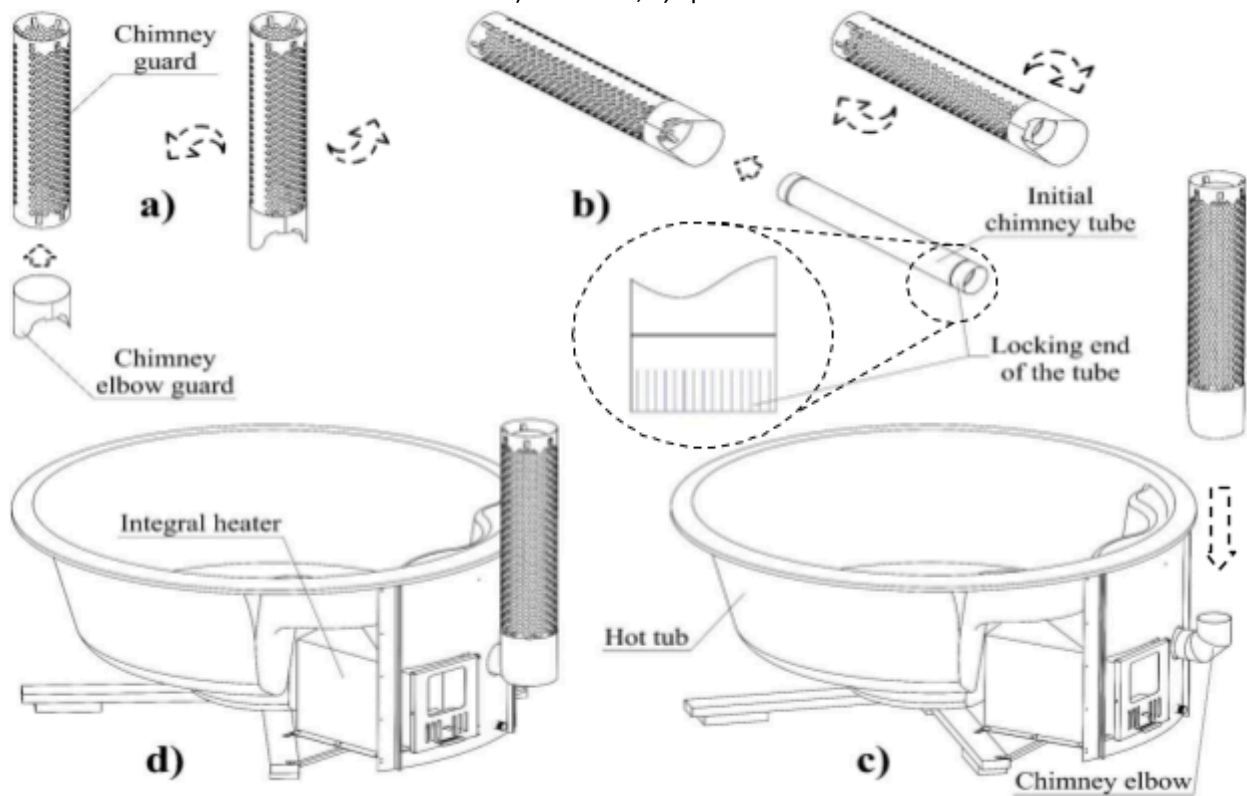


Figure 6. Attachment of the chimney to integral heater (*Assembly step 4*). a) direction of attachment of the chimney guards; b) direction of attachment of the initial chimney tube; c) direction of attachment of initial chimney tube to the elbow; d) initial chimney tube assembled to a heater; e) attachment of the chimney cap to the subsequent chimney

tube; f) connection of two chimney tubes (view with open section); g) chimney with chimney and elbow guards assembled to a heater.

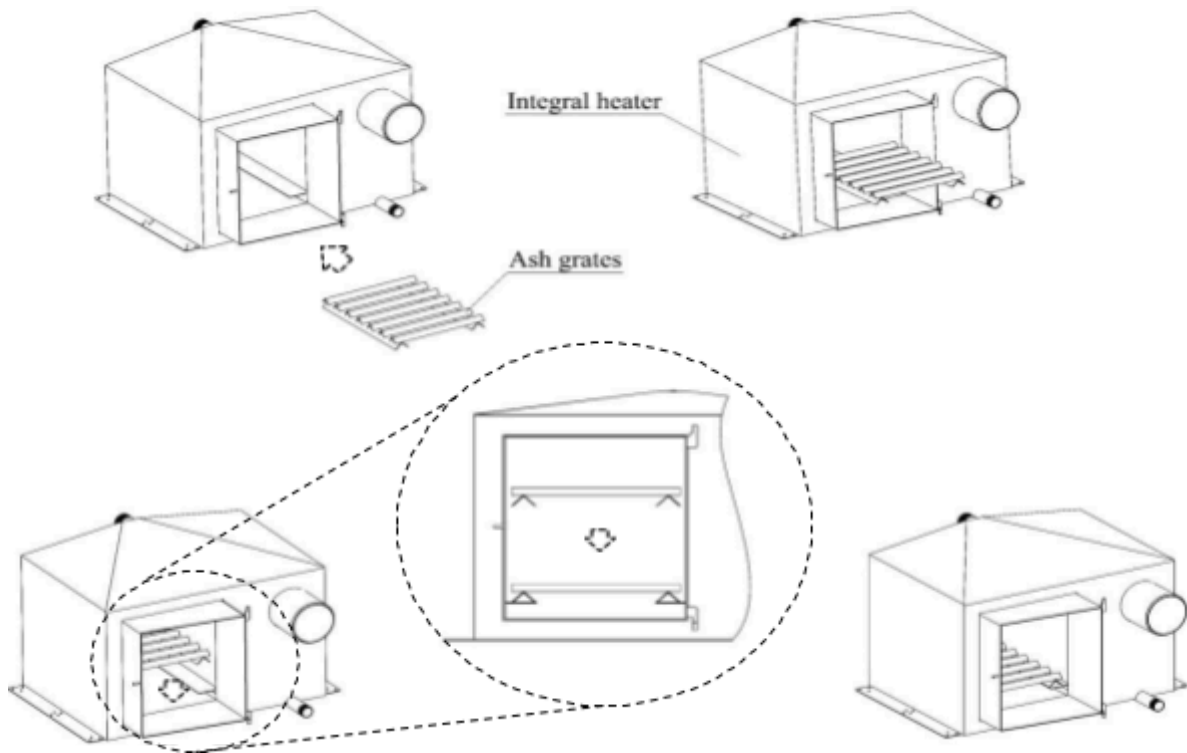


Figure 7. Placement of the ash grates (Assembly step 5).

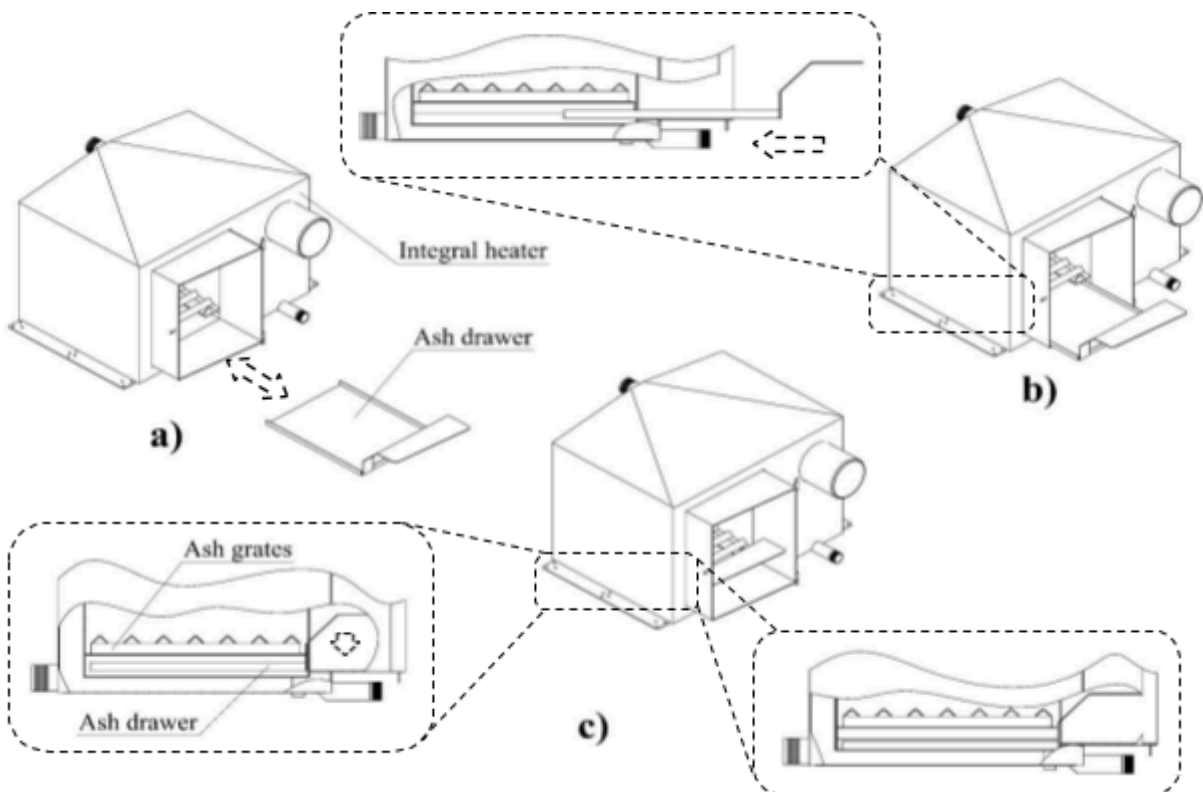
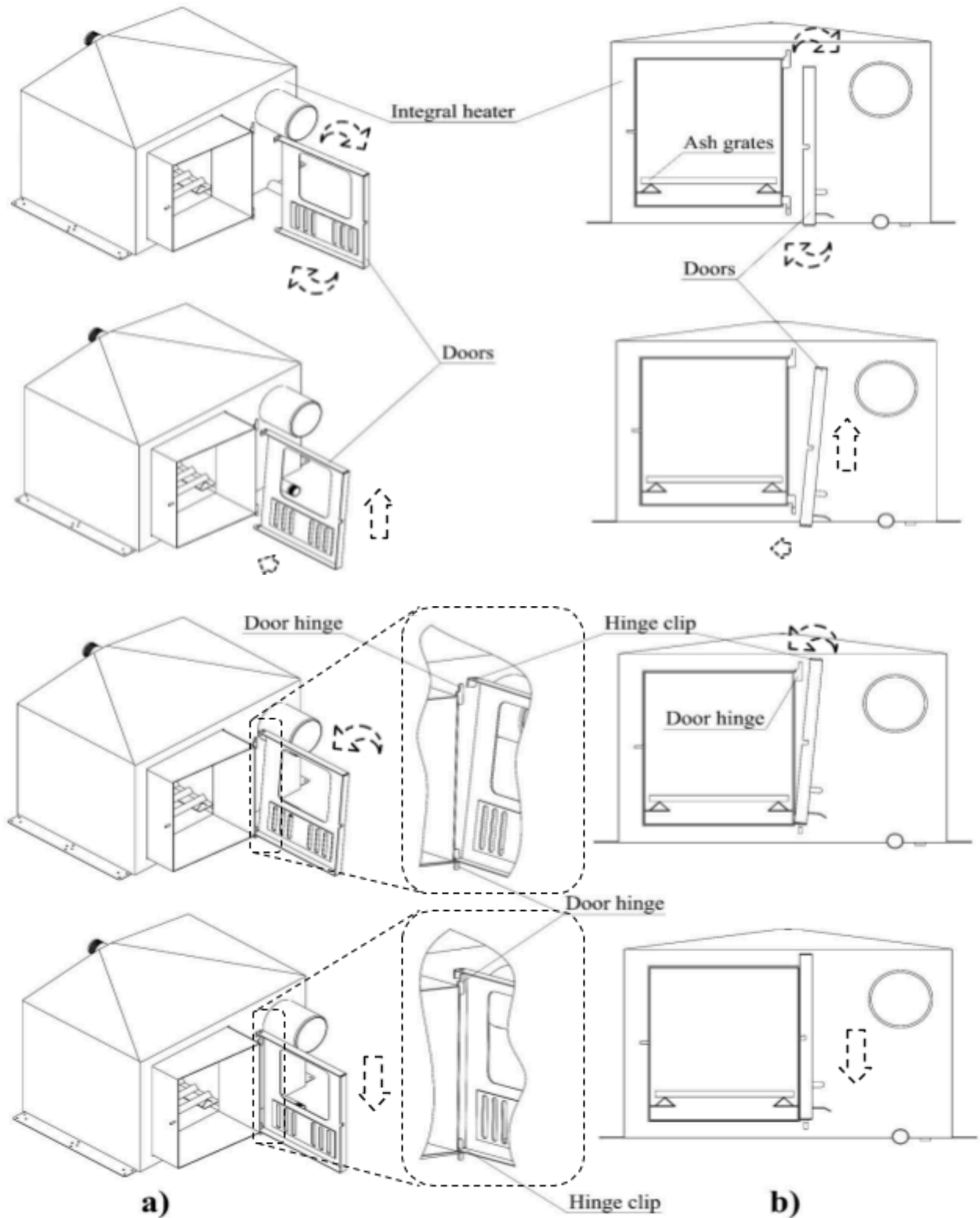


Figure 8. Placement of the the ash drawer (Assembly step 6).

a)

fully pulled out drawer (ash removal position); b) open position (view with open section); c) fully pulled in drawer (view with open section).



a)

b)

Figure 9. Mounting of integral heater doors to a heater (*Assembly step 7*).
a) spatial view of mounting alignment of integral heater doors;
b) front view of mounting alignment of integral heater doors.

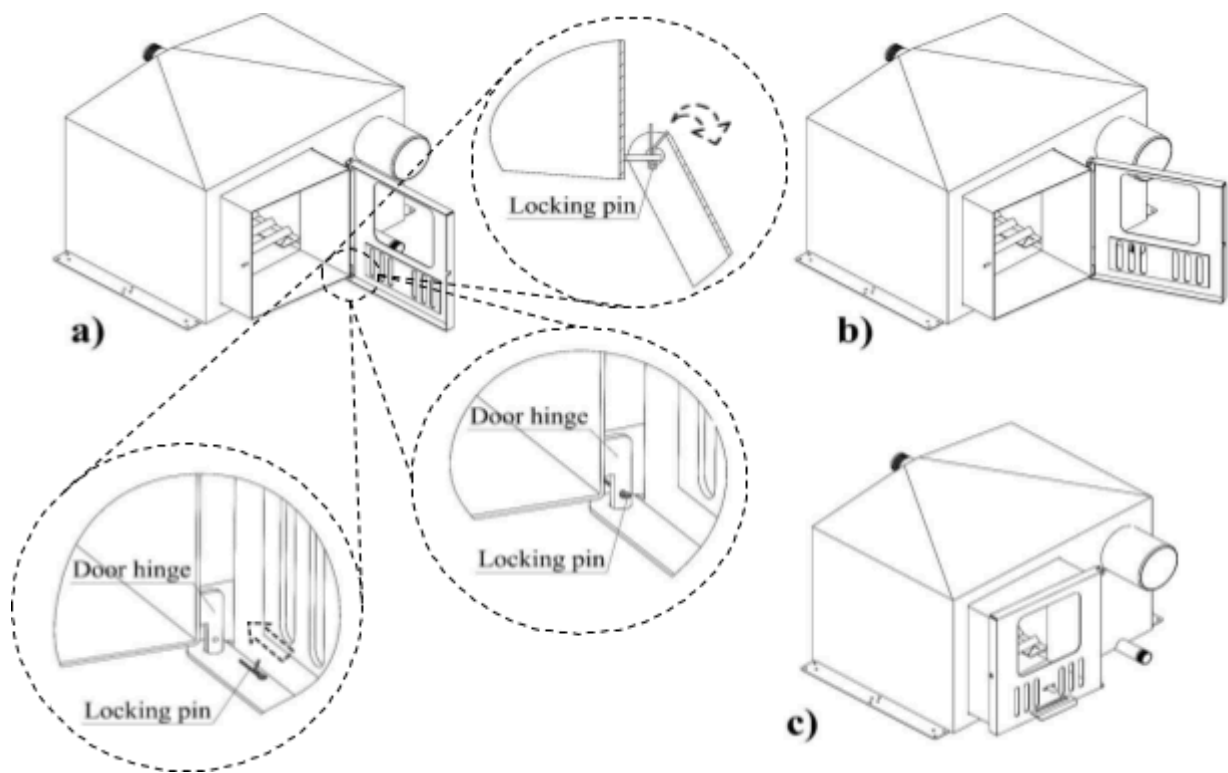


Figure 10. Locking down of integral heater doors (*Assembly step 8*).

c) installation of locking pin; b) mounted doors (open position); c) mounted doors (closed position).

OPERATION AND MAINTENANCE

Proper use of integral hot tub heater. All hot tub heaters are specially designed for water heating in a hot tubs and aren't suitable for any other purposes. Therefore it should be used as intended only. The integral heater can not be lit until it is not properly prepared for the use and it is not fully covered with water (see Fig.11). The water level must be 100-200 mm below the top of the hot tub edge, and integral heater must be fully covered with water till the outlet. When the hot tub is filled with a right amount of water, only then it is allowed to fire up the heater and start heating a hot tub. Fire intensity can be managed by controlling an air supply by adjusting a heater door deflector. Before lighting up the heater for the first time, it is necessary to make sure the protective film was removed from all the parts which were covered with it.

It is strictly prohibited to use other fuel than a dry firewood to stoke an integral heater. A coal should not be used in any case, because it can overheat the heater and for this reason, heater could be damaged irreparably. The most suitable firewood for hot tub heaters is a dry low resin wood, but availability and price of every type of firewood may vary by region, season of the year and climatic conditions. The right choice of firewood will allow more efficient use of the heater and may provide greater comfortability while using a hot tub (smoke emission / spark generation), as well as preparing firewood for a stoke (chopping / burning difficulty).

* - upper pipe nozzle is an outlet (heated water comes out of the heater); lower pipe nozzle is an inlet (cold water comes into the heater).

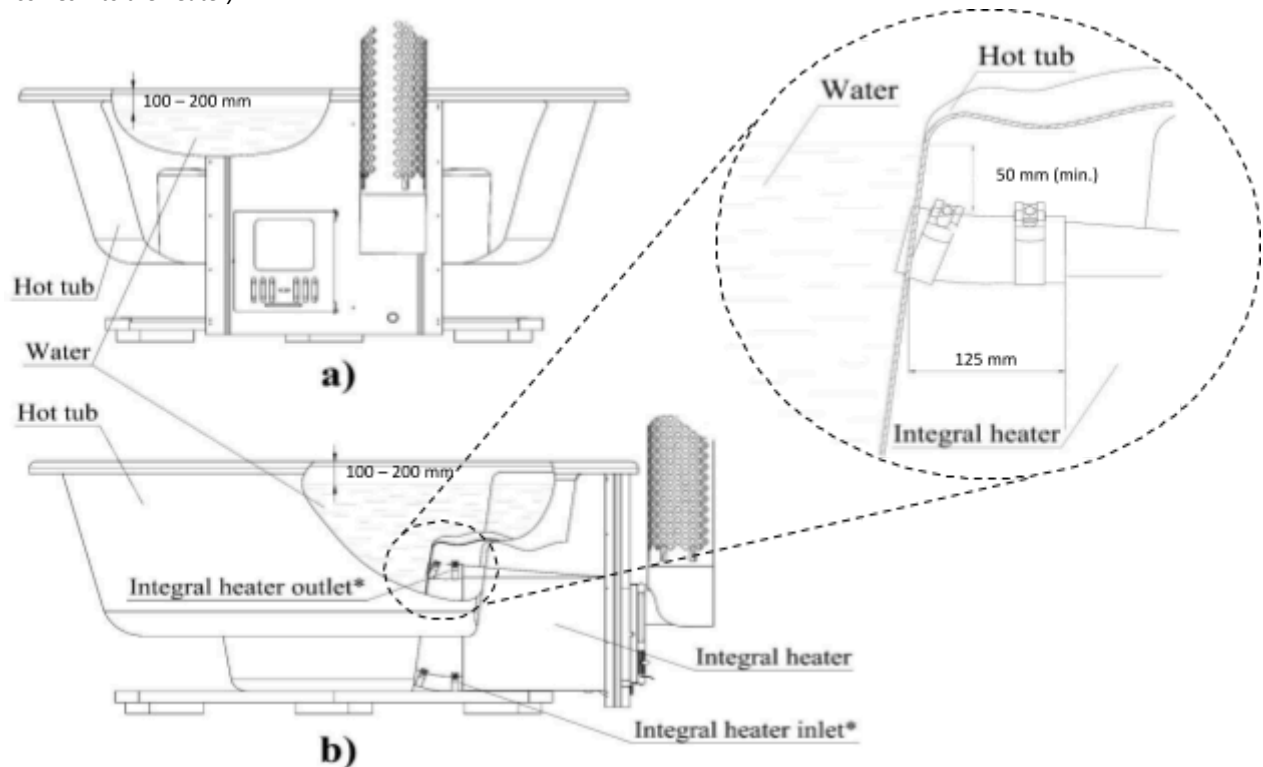


Figure 11. Water level required for a proper operation of integral heater in a hot tub.
 a) front view with open section; b) side view with open section.

It is recommended to stoke the heater using simple start-up technique, by consistently stacking layers of paper and finely chopped firewood. When the flame gets bigger larger firewood can be added. Flammable liquid also could be used to start a fire, but it is recommended only if the large pieces of firewood are used. Either it is not recommended to overload the heater with a firewood, to prevent the embers from falling out of the heater, while additional firewood is being added.

An average water heating rate (for 2000 liters) is 8 C° per hour, and it is recommended to reach 38 C° of water temperature before starting to use a hot tub. Depending on the outdoor temperature water reaches 38 C° in 2-3 hours during the warm season, and 4-6 hours during the cold season. The water heats faster when a hot tub is covered, therefore the hot tub cover is recommended to be used during the water heating-up phase. Water temperature should be measured every 30 min using thermometer, until it reaches 38 C°. If the temperature is higher than 40 C° cold water must be poured in, to regulate the temperature.

In those cases when a hot tub comes with a hydro system manufacturer recommends to evaluate the system before the first use. It is not recommend to connect a heater and a filter into one system.

* - upper pipe nozzle is an outlet (heated water comes out of the heater); lower pipe nozzle is an inlet (cold water comes into the heater).

Table 1. Eligibility of the firewood for hot tub heaters

Firewood type	Firewood distinctive parameters					General remarks**
	Relative heat generation	Flammability	Chopping hardness	Smokiness	Spark outburst	
1	2	3	4	5	6	7
<i>Ash</i>	High	High	Low	Low	Low	<i>Excellent</i>
<i>Ash-leaved maple</i>	Low	High	High	Medium	Low	<i>Fine</i>
<i>Beech</i>	High	High	Low	Low	Low	<i>Excellent</i>
<i>Birch</i>	High	High	Low	Low	Low	<i>Excellent</i>
<i>Cedar</i>	Medium	High	Low	Medium	High	<i>Good / Excellent for kindling</i> (But risky due to fire safety, abundant sparks can get out from the chimney)
<i>Cherry</i>	Medium	High	Low	Low	Low	<i>Good</i>
<i>Cypress</i>	Medium	Medium	Low	Medium	Low	<i>Fine</i>
<i>Dogwood</i>	High	High	Low	Low	Low	<i>Excellent</i>
<i>Elm</i>	Medium	Medium	High	Medium	Low	<i>Fine / Bad when undried</i>
<i>Maple</i>	Medium	High	Low	Low	Low	<i>Good</i>
<i>Mulberry</i>	High	High	Low	Low	Low	<i>Excellent</i>
<i>Oak</i>	High	High	Low	Low	Low	<i>Excellent</i>
<i>Osang (hedge)</i>	High	High	High*	Low	High	<i>Excellent</i> (but risky due to fire safety, abundant sparks can get out from the chimney)
<i>Pine</i>	High	High	Low	High	Low	<i>Good</i> (but very smoky)
<i>Poplar</i>	Low	High	Low	Medium	Low	<i>Fine / Good for kindling</i>
<i>Spruce</i>	Medium	High	Medium	High	Low	<i>Good</i> (but very smoky)
<i>Vinewood</i>	High	High	Medium	Low	High	<i>Good</i> (but risky due to fire safety, abundant sparks can get out from the chimney)
<i>Walnut</i>	Medium	High	Low	Low	Low	<i>Good</i>
<i>Willow</i>	Low	High	Low	Medium	Low	<i>Fine / Good for kindling</i>

* - Chopping hardness increases with drying. The more osang is drier, the more difficult to chop it;

** - General remark order: (lowest rank) Bad > Fine > Good > Excellent (highest rank).

Maintenance of integral hot tub heater.

After use of a hot tub, integral heater must be cleaned, but the water from a heater can be released only when it is completely cooled down. Untimely drainage of the water, can cause serious damage to the heater itself due to the sudden rise of the temperature caused by the remaining heat, generated during the stoke phase. Therefore it is recommended to leave the hot tub overnight, to cool after it was used.

For cleaning of integral heater, usage of a shovel and a sparkler is recommended, to have a better access to the inner walls and the bottom of the heater. A shovel and a sparkler

can be used as a household possession of the end users, or can be ordered together with integral heater as a heater cleaning tool kit. Cleaning of integral heater includes few simple stages: a) taking out all unburned firewood; b) taking out the ash grates from a heater (see Fig. 7, reversed order); c) scrubbing-off of the scorched ash and soot from the inner walls of integral heater (using sparkler); d) removal of the ash drawer out of integral heater (see Fig. 8, reversed order); e) and pouring out the ashes from the ash drawer. It is not mandatory to wash or wet clean the integral heater, but if it would be done, manufacturer do not recommend to use any products with chlorine, as this could have unfavourable effect to the material of the heater. After the cleaning of integral heater, ash grates should be placed back in (see Fig. 7), and the ash drawer should be set in the closed position (see Fig. 8c).

It is recommended to drain out the water from the hot tub and integral heater (see Fig. 12) if the outdoor temperature drops below freezing point, as well it is recommended to drain out the water before the cold season sets in, as the temperature fluctuations and formation of ice could cause a physical damage to the heater. If the hot tub comes with a hydro system the water should be drained out from the whole system as well.

SAFETY PRECAUTIONS

Safety of use. While using a hot tub, heater is in a stoke phase, therefore all its surfaces becomes hot, as well as chimney becomes hot due to the hot smoke flowing inside it. It is strictly prohibited to touch these surfaces because it will cause serious burns. In any case do not leave the heater unattended, or allow children to look after the heater, especially stoke it. It is not allowed to jump in to the hot tub from sides or jump out from it (use ladders), there is a chance of slipping and getting an injury or even brake a chimney.

Fire Safety. Hot tub heaters can only be used at a safe distance of 5 m from nearest houses, cars and other flammable items or materials. While lighting up the heater it is strictly required to deal with fire cautiously, not to cause conditions and avoid actions that might cause a fire.

During the stoke phase of a hot tub heater, is strictly prohibited to:

- use other fuel then a dry firewood;
- stoke with firewood which is longer than combustion chamber;
- use extremely flammable liquids (e.g. kerosene), gasoline or gas;
- use ventilation channels to remove a smoke;
- store any flammable materials closer than 2 m from the heater;
- leave the heater unattended, or allow children to look after.

It is necessary to clean out the chimney periodically, by removing from it scorched ash and soot. Manufacturer recommends doing it not less than one time in two months.

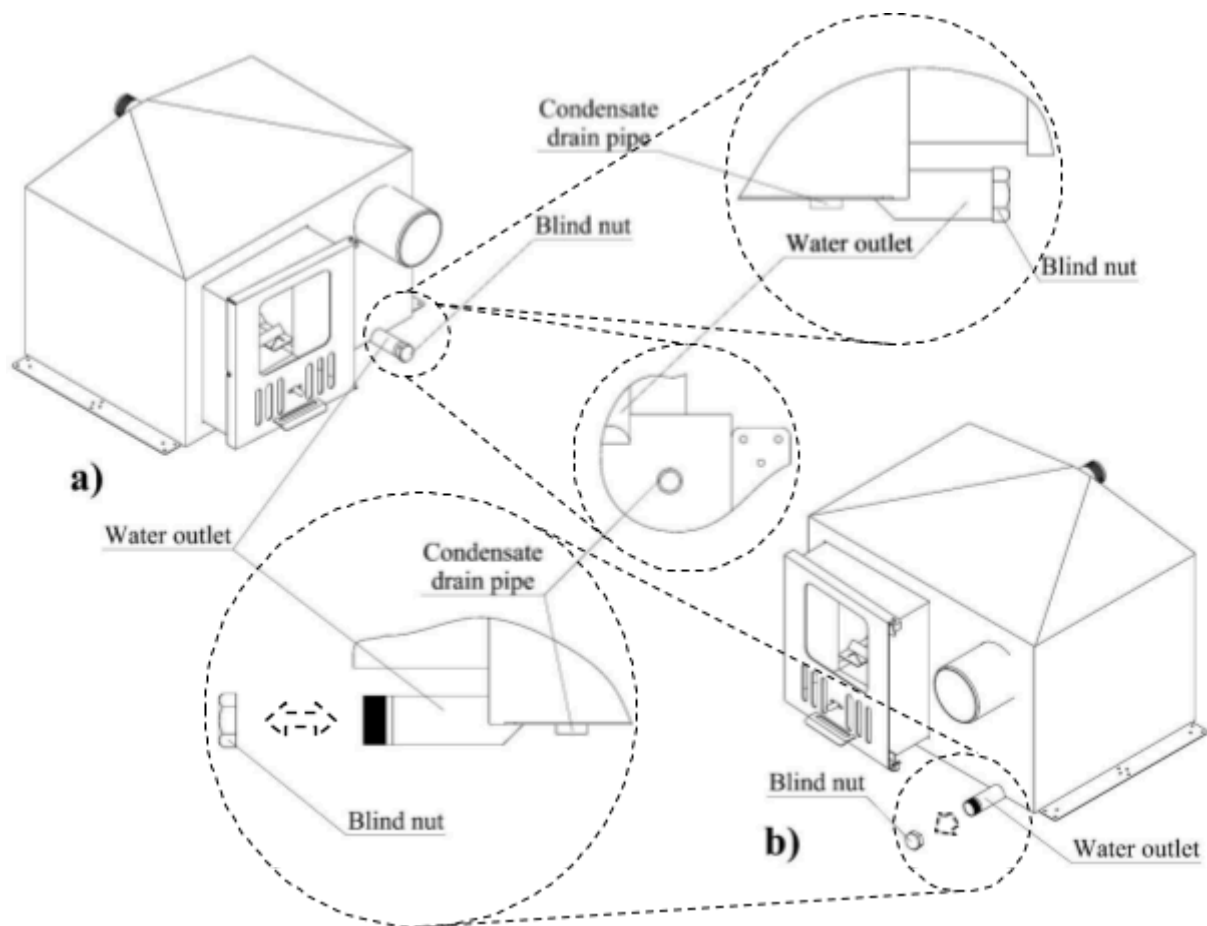


Figure 12. Water drainage from integral heater.

a) closed position of the water outlet (heater stoke phase); *b)* open position of the water outlet (water drainage phase).

UNAUTHORIZED USE

The integral hot tub heaters are specially designed products and must be used as intended only – for water heating in a hot tub. They aren't suitable for any other purposes e.g. as a form of room heating. Any other use, is an improper use of the hot tub heater and is therefore dangerous. The manufacturer cannot be held responsible for any damage caused by improper, incorrect or unreasonable use of the heater or its handling errors.

STORAGE, SHIPPING, DISMANTLING AND UTILIZATION

Damage during shipping. Hot tubs shipped from our manufacture are all adequately packed to reduce the chance of damage. In the unlikely event of damage occurring, claims must be made as follows:

1. Prior to signing the pick-up or delivery consignment from the freight carrier, you must ensure there is no visible damage to the outer packaging. The freight carrier's consignment note must be endorsed accordingly at the time the tub is delivered or picked-up.
2. You MUST notify your hot tub dealer or manufacture and the freight carrier of any damage (internal or external damage) within 24 hours of receiving your tub. Please send us photos or video .

Storage condition. The integral hot tub heater is made of a stainless steel, which withstands a large gap of temperatures, as well as high moisture content. It is also recommended by the manufacturer to wrap the heaters and its separate parts in to the plastic stretch film to prevent it from scratches or dirt occurring during loading and shipping to the end users.

Shipping conditions. The main requirement for shipping of the hot tub heaters, is that the end product should reach the end users unbroken.

Heater surface planes and chimney parts are especially vulnerable to a heavy blow, therefore pallets should be stable and assembled in such a way to ensure safe shipping. The ambient shipping conditions are parallel to a storage conditions.

Packaging information. Packaging materials of the product are manufactured from recyclable materials and in accordance with EU legislations. It is not recommended to dispose the packaging materials together with the domestic wastes, but take it to the packaging material collection points designated by the local authorities.

Utilization requirements. The integral hot tub heater is designed for a long term use, nevertheless it has its own service life, which could be reached after many years of usage. Regarding to all EU legislations, wasted hot tub heaters must be properly managed at the end of its service life, but considering value of materials and its brake down rate it is recommended by the manufacturer to take unused hot tub heaters to the collection centers for recycling. Disposal together with domestic wastes is strictly prohibited, and should be done regarding to a local regulations. The end users should be guided to consult local authorities to learn about these recycling centers.

ATTENTION!

The internal wood fired heater cannot be lit until it is at least half covered with water. External, integrated heater must be covered with water till the higher inlet before lighting it. Before lighting the heater do not forget to remove the protective film from metal parts.

Firewood must be placed in a heater vertically. Cardboard or flammable liquid is used to start fire.

Heater fuel type – dry wood, fuel briquettes. An average water heating rate (1000 litres) – 8 degrees Celsius per hour. Depending on the outdoor temperature, weather and season water reaches 38 degrees Celsius in 2-3 hours during the warm season and could take up to 4-6 hours during the cold season.

Storage and Preservation. It is recommended to drain water from the hot tub for both internal and external heaters if the temperature goes below freezing point as it could cause damage to the metal. The valve on the bottom of the hot tub is used for draining the water.

Useful tips and common mistakes. Do not touch the chimney or metal parts when the heater is used – it will cause serious injuries. Use the heater lid to regulate water temperature. Make sure the heater is covered with water before lighting it. Use of any type of coal is strictly prohibited.

THE ELECTRIC HEATER

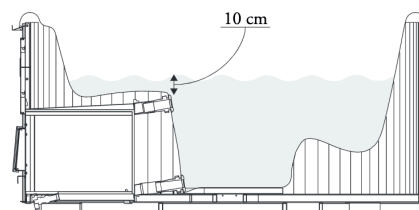
After the reception of the tub with the electric heater, the customer's local electrician must inspect it before using. It for the first time. The certified electrician should inspect if the electric heater was not damaged during the transportation also if the heater's installation meets local countries requirements for electric installation works. By default, we install and offer the 3kw, 6kW or 9kW electric heater. We install it based on customer prior given requirements either on single phase 220 V 32A or 3 phases 380 V 16A (this can vary depending on situation and the power of the electric heater). The customer clearly understands and had already verified that the electric heater of such power and electric installation will be suitable for its property use. Manufacturer will be not responsible for expenses needed changing the electric installation of the customer property to run the mention heater. The power of the electric heaters varies from 3 to 18 kW. Two heating elements are available: Incoloy and Titanium. The maximum chlorine and chloride contents of Incoloy type of heaters are as follow 3.5 mg/l and 250 mg/l. The maximum chlorine and chloride contents of Titanium type of heaters are as follow 3.5 mg/l and 35000 mg/l. If the customer had not previously mentioned the required content values, Incoloy type of heaters will be installed by default.

FIRE PREVENTION

If the hot tub is located near a building, it must be set up to prevent any fire hazards for the building. Avoid placing flammable materials or loose objects in a way that poses a risk of fire when the stove is burning. Also remember that the flue becomes very hot, and that sparks can escape from the fumes or the hatch. In case of doubt, contact a specialist e.g., a chimney sweeper or a fire prevention expert. Product alteration Any alterations to the product can pose a fire hazard. Alterations represent all changes that do not correspond to our maintenance instructions e.g., stuffing the space between the vat and the exterior panelling with isolation material. Floor protection in front of the stove if the hot tub is used on a flammable surface e.g., a wooden terrace or grass, a sheet should be placed in front of the stove. Hatch to protect against sparks and embers It can be made of metal, stone or any other fire-resistant material. Always keep a fire extibguisher nearby. (How ever you should always consult and follow the fire safety recommendations of your local fire authority.)

HEATING PREPARATION

When heating, the hot tub must always be filled with water, at a minimum level of 10 cm over the upper stove circulation opening. If the water level is any lower, there is risk of causing the stove to overheat which presents danger of fire. Flue and rainwater. Make sure that the flue is correctly installed, and that no rainwater is in the stove.



HEATING HOT TUB

Before proceeding to heat the hot tub, make sure you have read preparation section. The HOT TUB has a circulation stove that allows the water to cycle through the hot tub. The heat creates a pressure change between the double walls which pulls the cold water through the bottom opening. The warm water is simultaneously pushed out the top opening and flows back into the hot tub. The circulation occurs naturally without any electrical pumps. Do not attempt to increase the circulation by artificial means e.g., by connecting an electrical pump. An accelerated circulation will prevent the stove from reaching its functional temperature and in turn lead to tar build up. The resulting tar reduces stove performance and can be difficult to remove. It can also lead to a higher smoke temperature which can damage the flue and the vat. Water from the hot tub can be released only when the oven is completely cooled. Otherwise, the remaining heat will damage the hot tub and the heater.

TO START THE HOT TUB STOVE, FOLLOW THESE INSTRUCTIONS:

1. Take a handful of dry birch wood chips and lay them on the grate in the stove
2. Cut two or three wood logs into smaller strips. Lay them on the birch chips
3. Do not add more wood than 2 thirds of the height of the heater.
4. Keep in mind that until the tub has the appropriate amount of water, you can't light the heater, because the emitted heat will damage the tub.
5. The stove door can be left open for maximum air circulation until the desired bathing temperature is reached.
6. Carefully light the fire.

IMPORTANT: Do not burn paper. Paper burns very quickly and can easily float up the chimney. This is dangerous since flames that enter the chimney can ignite the creosote deposits in the flue. Furthermore, the hot air and pieces of burning paper can rise through the chimney and ignite flammable materials outside.

ACCELERATING THE HEATING TIME

For the shortest possible heating time, use split, dry birchwood. Regularly add small amounts of small wood. Large amounts of wood added to the stove at once can decrease the working temperature and create an uneven combustion, which prolongs the heating time. As a guideline, the combustion chamber can be filled up to 3/4 with wood.

ADJUSTING THE TEMPERATURE

The recommended water temperature for the hot tub is no more than +38°C. When the bathing water is 2-3 degrees from the desired temperature, reduce the airflow using the draft damper and add a small amount of wood. The temperature will rise just a few degrees before stabilizing. If the water is already too warm, add cold water or snow. Heating while bathing Close the draft damper. This slows the burning and reduces its intensity. The temperature of the bathing water will slowly rise by only a few degrees or remain constant, depending on the amount of wood in the stove. If the bathing water is already too warm, add some cold water. Make sure that the temperature won't reach more than 50 degrees Celsius, because that will damage the acrylic surface and this temperature will be harmful for humans.

WATER CLEANING

Before you commence usage, we recommend that you deep clean your hot tub. Please ask your dealer for advice.

TIPS:


1. Purchase an additional filter enable weekly rotation
2. Leave all jets and air valves slightly open allowing the flow of water to clean pipes.
3. To save energy, always use Hot tub cover when not in use.
4. Before using chemicals into the Hot tub please ask your dealer for advice.
5. For hot tubs that aren't equipped with a filtering system, we recommend changing the bathing water after every use. If this is not possible and you would like to reuse the water on multiple occasions, there are still a few easy tips to maintain water hygiene.
6. Take a shower beforehand. A person who did not shower before entering will make the water significantly dirtier. Sunscreen, body oils, cosmetics, skin lotion and similar products should not find their way into the hot tub.
7. Use an antibacterial product. Bacteria can easily thrive in warm water. To effectively prevent this, we recommend applying an antibacterial product before even using the hot tub for the first time. The effort is much greater once the bacteria has already spread. There are many various antibacterial products on the market. Hot tubs are not appropriate for use with chlorine, if not add additional options into the hot tub for chlorine using. Clean with vacuum and sieve Dirt that is visible normally presents the lowest danger to health. Use a vacuum head to clean dirt at the bottom of the vat and a pool sieve to catch free-floating debris. If your hot tub is equipped with a filtration system, most of the work will already be taken care of for you. Please refer to the separate instruction manual for the sand filtering system.

SAFETY

Prior to installation and whenever using this product, please take careful note of the following important safety precautions.


Basic Chemical Safety. When using chemicals, read the labels carefully and follow directions precisely. Though chemicals protect you and your spa when used correctly, they can be hazardous in concentrated form. Always observe the following guidelines:


- **ALWAYS KEEP CHEMICALS OUT OF CHILDREN'S REACH.**
 - **NEVER MIX CONCENTRATED CHEMICALS TOGETHER.**
 - **ALWAYS THOROUGHLY RINSE ANY CONTAINER USED TO MIX CHEMICALS AFTER USE.**
 - **ALWAYS RINSE OUT ANY EMPTY CHEMICAL STORAGE CONTAINER BEFORE DISPOSAL.**
 - Accurately measure the quantities specified. Do not overdose your spa. Amount required will vary depending on water condition, quantities to be used are only guidelines.
 - Store chemicals in a cool, dry, well-ventilated place.
 - Always keep chemical containers closed when not in use.
 - Don't inhale fumes or allow chemicals to come in contact with your eyes, nose, or mouth.
- Wash your hands immediately after use.
- Follow the emergency advice on the product label in case of accidental contact.
 - Never smoke around chemicals. Some fumes can be flammable.
 - Don't store any chemicals in the spa equipment compartment.

-  **DANGER: RISK OF SEVERE INJURY OR DROWNING!**

Extreme caution must be exercised to prevent unauthorized access by children. To avoid accidents, ensure that children do not use this hot tub unless supervised by the adults at all times. Supervision is a critical safety factor in preventing children from drowning.

Firmly secure hot tub cover in place with the straps and clip tie downs when not in use. This will help discourage unsupervised children from entering the hot tub. Keep the hot tub cover secure in high-wind conditions.

The cover, clip tie-downs, or actual locks will not prevent access to the hot tub.
-  **DANGER: RISK OF SEVERE INJURY OR DROWNING!**

Keep hair, loose articles of clothing or hanging jewellery away from suction fittings and other moving components to avoid entrapment that could lead to drowning or severe injury.
-  **DANGER: RISK OF SEVERE INJURY FROM ELECTRIC SHOCK OR DEATH FROM ELECTROCUTION!**


Install the hot tub at least 1.5m, from all metal surfaces.

Never permit any electrical appliance, such as a light, telephone, radio, television, etc. within 1.5m of a hot tub unless such appliances are built-in by the manufacturer.

Never bring any electrical appliances into or near the hot tub.





Never operate any electrical appliances from inside the hot tub or when you are wet.






Never unplug the device before shutting off the device- this may result in sparks that may injure the person and also may damage the device itself.

Of the hot tub systems that use electricity when your hands are wet.
-  **WARNING: RISK OF SEVERE INJURY FROM BURNING**

Never touch the hot surface (glass or metal door) of the stove.

Children must be supervised at all times to avoid fire and injury.
Keep things that can easily catch fire away from the stove.

5.  **WARNING: RISK OF SEVERE INJURY OR DEATH!**
Extreme caution must be exercised to prevent diving or jumping into the hot tub or slipping and falling, which could result in unconsciousness, drowning, or serious injury. Remember that wet surfaces can be very slippery. Take care on the stairs leading to the hot tub, especially in subzero temperatures, because the water can turn into slippery ice quickly. Be especially careful.
Never stand, walk or sit on the top railing of the hot tub.
6.  **WARNING: RISK OF HYPERTHERMIA (OVER-HEATING) CAUSING SEVERE INJURY, BURNS, WELTS OR DEATH!**
Water temperature in excess of 40°C may be injurious to your health.
The water in the hot tub should never exceed 40°C. Water temperatures between 38°C and 40°C are considered safe for a healthy adult.
Lower water temperatures are recommended for young children (children are especially sensitive to hot water) and when hot tub use may exceed 10 minutes.
Always test the hot tub water temperature before entering the hot tub. The user should measure the water temperature with an accurate thermometer since the tolerance of water temperature-regulating devices may vary as much as +/-2°C.
Hyperthermia symptoms are included below.
7.  **WARNING: RISK OF SEVERE INJURY OR DEATH!**
Your physiological response to hot water is very subjective and depends on your age, health, and medical history. If you don't know your tolerance to hot water, or if you get a headache, or become dizzy or nauseous when using your hot tub, get out and cool off immediately.
If pregnant or possibly pregnant, consult your doctor before using a hot tub, because high temperatures may cause damage for the unborn baby. Pregnant or possibly pregnant women should limit hot tub water temperatures up to 38°C.
Persons suffering from low or high blood pressure, or a medical history of heart disease, obesity, circulatory system problems, diabetes, infectious diseases or immune deficiency syndromes should consult a doctor before using a hot tub.
If you experience breathing difficulties in association with using or operating your hot tub, discontinue use and consult your doctor.
Persons using medication should consult a doctor before using a hot tub since some medication may induce drowsiness, while other medication may affect heart rate, blood pressure, and circulation.
Persons suffering from any condition requiring medical treatment, the elderly, or infants should consult with a doctor before using a hot tub.
The use of alcohol, drugs, or medication before or during v use may lead to unconsciousness with the possibility of drowning.
8.  **WARNING: RISK OF SEVERE INJURY OR DEATH!**
Prolonged immersion in a hot tub may be injurious to your health.
Observe a reasonable time limit when using the hot tub. Exposures at higher temperatures can cause high body temperature (hyperthermia). Symptoms may include dizziness, nausea, fainting, drowsiness, and reduced awareness. These effects could possibly result in drowning or serious injury.
Never use a hot tub immediately following exercise. Enter and exit the hot tub slowly. Wet surfaces can be slippery.

9.  **WARNING: TO DECREASE RISK OF INFECTION OR DISEASE!**
To reduce the risk of contracting a waterborne illness (e.g., an infection, bacteria or virus) and/or respiratory ailments, maintain water chemistry within the parameters listed in this manual and consult with a licensed engineer regarding proper ventilation if installed indoors or in an enclosed area.
People with infectious diseases should not use a hot tub to avoid water contamination, which could result in spreading infections to others.
Always shower before and after using your hot tub. Maintain water chemistry in accordance with manufacturer's instructions. Failure to do so may result in contracting a waterborne illness (e.g., an infection, bacteria or virus).
10.  **WARNING:**
In addition to maintenance of filters and water chemistry, proper ventilation is recommended to reduce the risk of contracting a waterborne illness (e.g., an infection, bacteria or virus) and/or respiratory ailments that could be present in the air or water. Consult a licensed architect or building contractor to determine your specific needs if installing your hot tub indoors.
11.  **CAUTION: TO DECREASE RISK OF PRODUCT DAMAGE.**
Maintain water chemistry in accordance with manufacturer's instructions.
Proper chemical maintenance of hot tub water is necessary to maintain safe water and prevent possible damage to hot tub components.
12.  **WARNING: RISK OF SEVERE INJURY OR DEATH!**
The appliance is not intended for use by persons (including children) with reduced physical, sensory or mental capabilities, or lack of experience or knowledge, unless they have been given supervision or instruction concerning use of the appliance by a person responsible for their safety.
13.  **NOTE:**
This hot tub is not intended nor designed to be used in a commercial or public application. The hot tub buyer shall determine whether there are any code restrictions on the use or installation of this hot tub since local code requirements vary from one locality to another.

Hyperthermia symptoms.

Since your hot tub can be set to reach temperatures of 40°C (104°F), users should be aware that extended submersion in water that exceeds normal body temperature can lead to hyperthermia. The causes, symptoms and effects of hyperthermia may be described as follows: blurred vision, dizziness, fast breathing or heart rate, fatigue, headache, light-headedness or syncope (fainting), low blood pressure, muscle aches or cramps, nausea and vomiting, weakness. **If you sense any of the symptoms of hyperthermia, safely exit the hot tub immediately.**

Symptoms of heatstroke can often be similar to those of heat exhaustion, but may also include: anhidrosis (dry skin that doesn't sweat), balance problems, delirium (confusion or disorientation), hot, flushed skin or very pale skin, low or high blood pressure, seizures. **Contact your doctor if you or someone else:** has a high fever, has trouble walking, breathing or speaking, is sweating excessively, loses consciousness, seems confused or disoriented.

If you experience mild-to-moderate heat illness symptoms, you should: stop physical activity and rest in a cool, well-ventilated environment. Remove heavy or tight clothing, drink slightly salty beverages to replace lost electrolytes. You can have sports

drinks or water with a few teaspoons of salt mixed in. Avoid caffeinated beverages. Apply a cool compress to your skin. Gently stretch any muscles that are cramping.

AFFTER USING

Sweeping the stove.

Make sure that the fire is completely extinguished and that there are no remaining embers. Pull out the draft damper and set it aside. Use a long-shafted scraper to remove the ashes from the grate in the ash pan. If the ash pan is still hot, do not lay it directly in snow or water, as intense cooling can cause deformation. The ashes should always be stored in a non-flammable container with a tight-fitting lid e.g., a metal bucket. The container should be placed on a fire-proof surface. To clean the flue, remove it and use a long, rounded brush. Remember that a clean flue significantly accelerates the heating time. Draining the bathing water. Before draining the water, make sure that the ashes have been completely removed as described in the previous section. Under no circumstances should the bathing water be drained if there are still embers in the stove, otherwise the stove can overheat and cause a fire. The bottom drain of the hot tub is located under the ash pan in the stove. Remove the draft damper and the ash pan, then open the bottom valve. Remember that a large amount of water is being drained from the hot tub and make sure that it cannot damage the surrounding area.

Protection against rodents.

Make sure to protect your hot tub against rodents. The inside of the hot tub will be warm and cosy for the rodents, so they will most likely try to find a way into hot tubs. While inside they will definitely cause a lot of trouble – like chewing up wires, and that will cause life threatening hazards for the people who will be using a hot tub. We suggest using mice repellents, traps or poison. Please remember that children may not understand the concept of poison, so make sure to supervise them at all times and explain how poison works. If you think that you may have a rodent problem make sure to inspect the wiring and possible other damage.

Wintertime use.

After using the hot tub, once the fire is extinguished, the water circulation ceases. It is therefore important to drain the water at sub-zero temperatures to prevent ice formation between the double walls of the stove. The amount of water in the stove is relatively small and freezes faster than the water in the hot tub. Ice formation in the stove can lead to damage and, in the worst case, render the hot tub unusable. Never leave the water in the hot tub in winter.

After releasing the water from the hot tub, keep the air massage active for 30 seconds and the hydro massage active for 10s to remove water from the system. Make sure not to keep the massage systems longer because it will definitely damage the motors. The filtration system cannot be used in sub-zero temperatures. Make sure to remove all the water from the filter before wintertime, and it is necessary to close the filter openings from the inside of spa.

Cleaning the vat and the stove.

Drain all the water from the vat and then leave the bottom valve open. Clean the dirty areas on the vat with a damp cloth. Clean between the stove walls by spraying water through both the lower and upper circulation openings. Repeat until there appears to be no more dirt in the stove. This works without additionally using abrasive cleansers. If you have underwater lighting or bubble jets, carefully clean the nozzles, buttons and lamps.

Long-term storage.

If the hot tub is to be left unattended for an extended period, empty it completely and leave the bottom valve open. Remove the top of the flue to avoid wind exposure. Remove the stove door and store it in a dry place (if the stove model allows that option).

Substructure maintenance

This maintenance requires that the hot tub be raised upright. The substructure of the hot tub is made of galvanized steel. Rust may appear in certain local conditions. If so, the rust can be removed with a steel brush. If bare steel is exposed, it should be treated with zinc paint or

another rust-preventing product. Verification and maintenance should be carried out annually. Make sure the bottom draining valve is left open to avoid ice build-up. Strong winds can loosen and damage the flue. In case of stormy weather, remove the upper meter of the flue.

LONG TERM MAINTENANCE

Care of the Hot tub cabinet.

Thermo wood exterior: The external finish of the hot tub is made of thermowood. However, to get the most out of any outdoor products such as hot tub, we still recommend varnishing the exterior. It is recommended to use some type of surface treatment to protect the thermowood from airborne dirt. If necessary, surface treatment should be resumed. The need for the upgrade depends on the climate, the extent of use and the intensity of UV light reaching the products. With the use of thermowood, this maintenance interval, when repainting the wood, can be greatly prolonged. If you wish to maintain the original thermowood appearance, treat with transparent paint containing some brown pigment. And this period can be three times longer than normal. **Note:** Do not clean the thermowood surface with any detergents and/or hard brushes as it may damage the material.

Painted wood cabinet: Wood paint should be repainted from time to time, the repainting highly depends on the storing conditions of the hot tub and the damage it received during the years. Repainting helps to preserve the wood and the perfect look of the hot tub. We recommend stain or a similar product on a regular basis to protect the wood of the cabinet and keep your spa looking great for years to come. The easiest method of maintaining your wood exterior and keeping your hot tub wooden parts as good as the day your spa was first delivered, is to apply one coat of wood preservatives to your hot tub exterior wood parts twice a year. Just before summer and again at the end of summer are the best times.

Stove door maintenance.

To prevent corrosion, it should be treated with black polish on a regular basis. If corrosion has already started, it should be removed using steel wool before the black polish is applied. The black polish can normally be found at a local hardware store. Never use steel wool or other tools that could scratch the vat. Dirt can easily settle in the scratches and lead to discoloration or even cracks. We recommend to ask your dealer for further information.

Required filter maintenance.

If your new hot tub is equipped with water filtration system that provides unsurpassed water quality, you must ensure that the filters are clean. You should check the filters every month, depending on your water cleanliness the filters must be cleaned every 3 months, or as necessary. **Note:** Do not start the filter without water – it can cause damage!

Acrylic surface maintenance.

Acrylic offers superior quality, durability and easy maintenance. We recommend using a soft cleaning cloth/sponge not to scratch the surface of the liner. After cleaning the hot tub with detergents, rinse well with a water hose and drain completely. If the acrylic surface will get covered in scratches and micro-crazing during the lifetime, to remove them we recommend polishing, but before doing so we recommend consulting with the professionals. It's always a good idea to try out polishing in less visible place.



NOTE: Do not use any soap products or abrasive cleansers.

SPA Thermo Cover Usage and Maintenance Instructions:

Cleaning: It is recommended to clean the cover at least once a month with a solution of mild, warm water and liquid detergent. If necessary, use a soft-bristle brush. **DO NOT** use any abrasive cleaners, stiff-bristle brushes, chlorine, alcohol, oil-based chemicals, or products containing silicone for cleaning the cover. After cleaning, rinse the cover thoroughly and dry it completely.

Moisture Removal: Periodically remove accumulated moisture from the seams and gaps on the inner part of the cover to prevent mold growth.

Sun Drying: It is recommended to remove, expose to sunlight, and flip the EPS polystyrene sides at least once a year.

Seasonal Maintenance: Depending on the season and weather conditions, it is necessary to clear snow, ice, leaves, or any other debris that may accumulate on the cover. Excessive ice buildup can deform the foam inside the cover (TO DO THIS, DO NOT STAND ON THE COVER).

Handling: When pulling the cover, do not use excessive force and avoid trying to lift it with a load on top.

Handles Usage: The handles are intended ONLY for opening and closing the cover.

Avoid Dragging: Do not drag the cover on the ground. Dragging can cause material tears, abrasions, and other damages.

Before Use: Completely remove the cover before using the hot tub.

Chemical Exposure: It is recommended not to cover the hot tub for an hour or more after adding water treatment chemicals. Otherwise, the released chemicals can damage the quality of the EPS polystyrene.

Please take steps to correct any water chemistry problems quickly to avoid considerable damage to your cover.

Any texture change or extreme discolouration of the bottom material indicates chemical burn.

Note: Never allow anyone to stand, walk, lie, or sit on the cover and avoid dragging it across rough surfaces. Avoid placing any heavy objects on the cover.

Failure to follow the recommendations and maintenance requirements mentioned in the usage instructions will void the warranty for the hot tub thermo cover.



Note: When adding more than the normal daily amount of disinfectant leave the hot tub cover off or 1/2 open for a minimum of a 1/2 hour. Failure to do so could damage the underside of the cover and void the warranty.

WARRANTY

The warranty is valid only with proof of purchase (invoice and sales contract).

The guarantee is provided for 24 months from the date of purchase for individuals.

The warranty period is 12 months from the date of purchase from legal entities.

NOTE! The guarantee applies to burners, which are connected to the Internet and the manufacturer is entitled to carry out the monitoring.

Repairs shall be carried out in accordance with the warranty service regulations in force in the Republic of Lithuania. Warranty services include the repair of defects or other defects caused by the manufacturer's fault.

THERMO COVERS WARRANTY PERIOD AND CONDITIONS:

Warranty for thermo covers - 2 years.

This warranty applies only to the original purchaser of our thermo cover. If a defect emerges during the warranty period:

In rare cases (if deemed necessary), the buyer may be asked to return the thermo cover to allow for a reasonable claim decision. Depending on the claim, this may include the entire cover, including polystyrene parts, or just the outer cover without the polystyrene. The buyer must provide the original purchase document for the cover.

Upon evaluation and decision on the validity of the claim, if the claim is deemed valid, we may choose to repair or replace the thermo cover.

The repaired or replaced cover will be delivered to the buyer within ninety (90) days from the date of receiving the unusable cover. The shipping costs are covered by the buyer.

The warranty does not apply in cases of improper use, failure to follow the provided recommendations and maintenance requirements, or any of the following cases: a)

Excessive water chlorination or use of chemicals for cover maintenance. b) Tearing, abrasion, or

other wear defects caused by dragging the cover over rough surfaces or damages caused by using sharp objects. c) Polystyrene breakage due to the following reasons: sitting on the cover, placing objects on the cover surface, walking or jumping on the cover. d) Torn handles due to improper use – handles should be used only for opening and closing the cover, not for carrying the thermo cover. e) the repair, disassembly, or modifications of the hot tub cover were performed by unauthorized organizations or individuals, not by specialists authorized by seller. The seller is not responsible for consequences and damages caused by ignorance, non-compliance, and non-adherence to the usage recommendations for each element of the product. f) the defect (fault) occurred due to abuse or improper use, or environmental conditions that do not meet the recommendations for these Goods. g) the damage was caused by accidents, including but not limited to damage caused by animals, unusual stress, lightning, water or fire, natural disasters, etc. h) the damage was caused by the impact of foreign objects, various liquids, as well as the influence of improper chemicals, insects, etc., entering the interior of the goods, or other household factors.

EXCLUSIONS

All warranties hereunder are void if the spa has been subject to alterations (including aftermarket accessories), misuse or abuse or any repair of the spa has been attempted by anyone other than a Factory Authorized Dealer.

Alterations include but not limited to, any change to the components, replacement of components or addition of components without the written authorization from manufacture.

Misuse includes careless handling of the spa, damages caused by improper and/or non-certified electrical hook-ups, failure to operate the spa in accordance with the instructions contained in the owner's manual provided with the spa, including incorrect start-up procedures or dry firing of the spa, any use of the spa or any of its components in an application for which it was not designed, and damage caused by improper chemical balance (including any damage to spa components caused by scale build up due to poor water chemistry), ice in the spa, overheating the spa or spa water, damage to the spa surface by allowing undissolved sanitizing chemicals to lie on the surface or if our spa has been used for commercial purposes.

Spa covers are not warranted against chemical burn, discoloration, water absorption or any damage resulting from water absorption.

Any damage resulting from the mishandling of the spa cover in any way is not covered under warranty.

Any damage caused by moving of the spa or improper installation (including insufficiently prepared or uneven ground) is considered abuse and any damage to the material or workmanship of the spa cabinetry and floor in shipping or handling are expressly excluded from the Warranty.

Manufacture will not be responsible for power company issues or improper electrical installations, damage and/or lack of performance resulting from high or low voltages outside operating parameters.

Manufacture will not be responsible for software and product upgrades throughout the life of the spa.

Manufacture expressly excludes warranty coverage on any of the following:

Acts of nature including but not limited to damage resulting from lightning, storm, flooding, freezing, fire and any other acts of nature and animals.

Any spa installed in a commercial application.

Any failure caused by improper cover use or damage to the spa surface by leaving the spa outdoors without the hot tub cover in place. The heat created by leaving the spa in direct UV light without a cover may cause surface issues with the acrylic and may also cause plastic parts to warp; some fittings will leak or cease working as a result. These occurrences are not covered under warranty. The hot tub cover must be kept on the hot tub when not being used.

Scratches or micro crazing in the spa shell reported after the day of installation are not covered under warranty. Micro crazing is defined as an area of tiny shiny lines visible in areas on

the surface of some thermoplastic sheets. This phenomenon, although rare, is known to occur in many types of plastic sheet materials. The surfaces of thermoformed acrylic hot tubs are not immune to this possibility. Scratches and micro-crazing that are not visible from 1 meter away from hot tub is not covered by warranty. Scratches and micro-crazing That was made during exportation is not covered by warranty.

Damage caused by unapproved sanitizers such as tri-chlor acids, calcium hypochlorite, sodium hypochlorite, peroxides, any sanitizing chemical that may remain undissolved on the spa surface. Any and all sanitation systems or chemicals used in your spa must be factory approved by your dealer or your warranty is void. Installation of not factory approved salt systems will void the warranty related to pump seals, metal part, jets, etc.

Damage caused by any item(s) attached to or installed onto the spa, including but not limited to stairs, filtration system boxes and bar accessories. Any options or additional components that are not factory installed are not covered under warranty. Any damage or failure due to improper preparation for winter storage is not covered under warranty.

Damage caused by the transportation. The risks of damage and item destruction are transferred upon the client after the item is loaded for transportation.

DISCLAIMERS

Manufacture will not be liable for loss of use of the spa or other incidental or consequential costs, expenses or damages that may include but not limited to, the removal of a permanent sun deck, sunroom, gazebo, or other custom fixture, any crane costs associated with the removal of the spa for service or replacement. Manufacture shall not be liable for costs arising from water, filter cartridges and chemical loss. Under no circumstances shall Manufacture or any of its representatives be liable for any injury to any person or damage to any property, howsoever arising from the spa. Manufacture warranties are limited to a maximum amount of money received by Manufacture with respect to the sale of the spa.

ALL WARRANTIES

All warranties herein require that any claim must be submitted to Manufacture within ten days of the time the defect is discovered and must be accompanied by the original customer's receipt confirming purchase of the spa, which shows the date of purchase. All warranty claims must be submitted within the warranty period. Failure to provide such notice and information invalidates all warranties provided hereunder.

Manufacture reserves the right to repair or replace components or materials at its option. In certain cases, photographs and video footage may be required for proper evaluation before warranty coverage is determined. In the event a customer is unable to either obtain parts or satisfactory service from a Factory Authorized Dealer of Manufacture, notice should be given immediately to the service department of the agent where the spa was purchased and to Manufacture.

Manufacture expressly excludes warranty coverage on splitting, fading or warping of the wooden parts beyond the date of delivery. Any damage resulting from handling of the wood cabinet is excluded from this warranty. Manufacture considers the wood as a natural building material, that may have sap, natural fractures and therefor is not covered by warranty.

The guarantee for the burner does not apply:

If the burner has been redesigned.

If the customer has changed the service (factory) settings.

If the manufacturer does not have online access to the customer's burner.

The warranty does not cover naturally worn parts of the hot tub or sauna burner.

If the customer adds chemicals into the hot tub without recommendation and chemicals made corrosion for nozzles or other hot tub parts.

If the buyer has any questions regarding the information provided in these terms and conditions or lack thereof, the buyer may apply in writing to receive an additional consultation related to the

use and maintenance, ect. of the product.